

MSP430FR57xx Family

User's Guide



Literature Number: SLAU272D
May 2011 – Revised March 2018

Preface	24
1 System Resets, Interrupts, and Operating Modes, System Control Module (SYS)	26
1.1 System Control Module (SYS) Introduction	27
1.2 System Reset and Initialization.....	27
1.2.1 Device Initial Conditions After System Reset.....	29
1.3 Interrupts	29
1.3.1 (Non)Maskable Interrupts (NMIs)	30
1.3.2 SNMI Timing	30
1.3.3 Maskable Interrupts	30
1.3.4 Interrupt Processing.....	31
1.3.5 Interrupt Nesting.....	32
1.3.6 Interrupt Vectors	32
1.3.7 SYS Interrupt Vector Generators.....	33
1.4 Operating Modes	35
1.4.1 Low-Power Modes and Clock Requests	37
1.4.2 Entering and Exiting Low-Power Modes LPM0 Through LPM4.....	38
1.4.3 Entering and Exiting Low-Power Modes LPMx.5	38
1.5 Principles for Low-Power Applications	39
1.6 Connection of Unused Pins	39
1.7 Reset Pin (RST /NMI) Configuration	40
1.8 Configuring JTAG Pins	40
1.9 Vacant Memory Space	40
1.10 Boot Code	40
1.11 Bootloader (BSL)	41
1.12 JTAG Mailbox (JMB) System	41
1.12.1 JMB Configuration	41
1.12.2 JMBOUT0 and JMBOUT1 Outgoing Mailbox.....	41
1.12.3 JMBIN0 and JMBIN1 Incoming Mailbox.....	42
1.12.4 JMB NMI Usage	42
1.13 JTAG and SBW Lock Mechanism Using the Electronic Fuse	42
1.13.1 JTAG and SBW Lock Without Password	42
1.13.2 JTAG and SBW Lock With Password	43
1.14 Device Descriptor Table	43
1.14.1 Identifying Device Type.....	44
1.14.2 TLV Descriptors	45
1.14.3 Calibration Values	46
1.15 SFR Registers	50
1.15.1 SFRIE1 Register	51
1.15.2 SFRIFG1 Register	52
1.15.3 SFRRPCR Register.....	53
1.16 SYS Registers	54
1.16.1 SYSCTL Register	55
1.16.2 SYSJMBC Register	56
1.16.3 SYSJMBI0 Register.....	57
1.16.4 SYSJMBI1 Register.....	57

1.16.5	SYSJMBO0 Register	58
1.16.6	SYSJMBO1 Register	58
1.16.7	SYSUNIV Register	59
1.16.8	SYSSNIV Register	59
1.16.9	SYRSTIV Register	60
2	Power Management Module and Supply Voltage Supervisor	61
2.1	Power Management Module (PMM) Introduction	62
2.2	PMM Operation	63
2.2.1	V _{CORE} and the Regulator	63
2.2.2	Supply Voltage Supervisor	63
2.2.3	Supply Voltage Supervisor - Power-Up	64
2.2.4	LPM3.5, LPM4.5	64
2.2.5	Brownout Reset (BOR)	64
2.2.6	RST/NMI	64
2.2.7	PMM Interrupts	65
2.2.8	Port I/O Control	65
2.3	PMM Registers	66
2.3.1	PMMCTL0 Register	67
2.3.2	PMMIFG Register	68
2.3.3	PM5CTL0 Register	69
3	Clock System (CS)	70
3.1	Clock System Introduction	71
3.2	Clock System Operation	73
3.2.1	CS Module Features for Low-Power Applications	73
3.2.2	Internal Very-Low-Power Low-Frequency Oscillator (VLO)	73
3.2.3	XT1 Oscillator	73
3.2.4	XT2 Oscillator	74
3.2.5	Digitally Controlled Oscillator (DCO)	74
3.2.6	Operation From Low-Power Modes, Requested by Peripheral Modules	75
3.2.7	CS Module Fail-Safe Operation	76
3.2.8	Synchronization of Clock Signals	78
3.3	Module Oscillator (MODOSC)	78
3.3.1	MODOSC Operation	78
3.4	CS Registers	79
3.4.1	CSCTL0 Register	80
3.4.2	CSCTL1 Register	81
3.4.3	CSCTL2 Register	82
3.4.4	CSCTL3 Register	83
3.4.5	CSCTL4 Register	84
3.4.6	CSCTL5 Register	85
3.4.7	CSCTL6 Register	86
4	CPUX	87
4.1	MSP430X CPU (CPUX) Introduction	88
4.2	Interrupts	90
4.3	CPU Registers	91
4.3.1	Program Counter (PC)	91
4.3.2	Stack Pointer (SP)	91
4.3.3	Status Register (SR)	93
4.3.4	Constant Generator Registers (CG1 and CG2)	94
4.3.5	General-Purpose Registers (R4 to R15)	95
4.4	Addressing Modes	97
4.4.1	Register Mode	98
4.4.2	Indexed Mode	99

4.4.3	Symbolic Mode	104
4.4.4	Absolute Mode	108
4.4.5	Indirect Register Mode	110
4.4.6	Indirect Autoincrement Mode	111
4.4.7	Immediate Mode	112
4.5	MSP430 and MSP430X Instructions	114
4.5.1	MSP430 Instructions	114
4.5.2	MSP430X Extended Instructions	119
4.6	Instruction Set Description	130
4.6.1	Extended Instruction Binary Descriptions	131
4.6.2	MSP430 Instructions	133
4.6.3	Extended Instructions	185
4.6.4	Address Instructions	228
5	FRAM Controller (FRCTL)	243
5.1	FRAM Introduction	244
5.2	FRAM Organization	244
5.3	FRCTL Module Operation	244
5.4	Programming FRAM Memory Devices	245
5.4.1	Programming FRAM Memory by JTAG or Spy-Bi-Wire	245
5.4.2	Programming FRAM Memory by Bootstrap Loader (BSL)	245
5.4.3	Programming FRAM Memory by Custom Solution	245
5.5	Wait State Control	245
5.5.1	Manual Wait State Control	245
5.5.2	Automatic Wait State Control	246
5.5.3	Wait State and Cache Hit	246
5.5.4	Safe Access	246
5.6	FRAM ECC	246
5.7	FRCTL Registers	247
5.7.1	FRCTL0 Register	248
5.7.2	GCCTL0 Register	249
5.7.3	GCCTL1 Register	250
6	Memory Protection Unit (MPU)	251
6.1	Memory Protection Unit (MPU) Introduction	252
6.2	MPU Segments	253
6.2.1	Main Memory Segments	253
6.2.2	Segment Border Setting	253
6.2.3	Information Memory	255
6.3	MPU Access Management Settings	255
6.4	MPU Violations	256
6.4.1	Interrupt Table and Reset Vector	256
6.4.2	Violation Handling	256
6.5	MPU Registers	257
6.5.1	MPUCTL0 Register	258
6.5.2	MPUCTL1 Register	259
6.5.3	MPUSEG Register	260
6.5.4	MPUSAM Register	261
7	DMA Controller	263
7.1	Direct Memory Access (DMA) Introduction	264
7.2	DMA Operation	266
7.2.1	DMA Addressing Modes	266
7.2.2	DMA Transfer Modes	267
7.2.3	Initiating DMA Transfers	273

7.2.4	Halting Executing Instructions for DMA Transfers.....	274
7.2.5	Stopping DMA Transfers.....	274
7.2.6	DMA Channel Priorities	274
7.2.7	DMA Transfer Cycle Time	275
7.2.8	Using DMA With System Interrupts	275
7.2.9	DMA Controller Interrupts.....	275
7.2.10	Using the eUSCI_B I ² C Module With the DMA Controller.....	276
7.2.11	Using ADC10 With the DMA Controller.....	277
7.3	DMA Registers	278
7.3.1	DMACTL0 Register.....	280
7.3.2	DMACTL1 Register.....	281
7.3.3	DMACTL2 Register.....	282
7.3.4	DMACTL3 Register.....	283
7.3.5	DMACTL4 Register.....	284
7.3.6	DMAxCTL Register.....	285
7.3.7	DMAxSA Register	287
7.3.8	DMAxDA Register	288
7.3.9	DMAxSZ Register.....	289
7.3.10	DMAIV Register.....	290
8	Digital I/O.....	291
8.1	Digital I/O Introduction	292
8.2	Digital I/O Operation.....	293
8.2.1	Input Registers (PxIN).....	293
8.2.2	Output Registers (PxOUT).....	293
8.2.3	Direction Registers (PxDIR)	293
8.2.4	Pullup or Pulldown Resistor Enable Registers (PxREN)	293
8.2.5	Function Select Registers (PxSEL0, PxSEL1).....	294
8.2.6	Port Interrupts	294
8.3	I/O Configuration.....	296
8.3.1	Configuration After Reset.....	296
8.3.2	Configuration of Unused Port Pins	296
8.3.3	Configuration for LPMx.5 Low-Power Modes	297
8.4	Digital I/O Registers	299
8.4.1	PxIV Register.....	313
8.4.2	PxIN Register.....	314
8.4.3	PxOUT Register.....	314
8.4.4	PxDIR Register.....	314
8.4.5	PxREN Register.....	315
8.4.6	PxSEL0 Register.....	315
8.4.7	PxSEL1 Register.....	315
8.4.8	PxSELC Register	316
8.4.9	PxIES Register	316
8.4.10	PxIE Register.....	316
8.4.11	PxIFG Register.....	317
9	CRC Module.....	318
9.1	Cyclic Redundancy Check (CRC) Module Introduction.....	319
9.2	CRC Standard and Bit Order.....	319
9.3	CRC Checksum Generation.....	320
9.3.1	CRC Implementation	320
9.3.2	Assembler Examples	321
9.4	CRC Registers	323
9.4.1	CRCDI Register	324
9.4.2	CRCDIRB Register	324

9.4.3	CRCINIRES Register	325
9.4.4	CRCRESR Register	325
10	Watchdog Timer (WDT_A)	326
10.1	WDT_A Introduction	327
10.2	WDT_A Operation	329
10.2.1	Watchdog Timer Counter (WDTCNT)	329
10.2.2	Watchdog Mode	329
10.2.3	Interval Timer Mode	329
10.2.4	Watchdog Timer Interrupts	329
10.2.5	Fail-Safe Features	330
10.2.6	Operation in Low-Power Modes	330
10.3	WDT_A Registers	331
10.3.1	WDTCTL Register	332
11	Timer_A	333
11.1	Timer_A Introduction	334
11.2	Timer_A Operation	336
11.2.1	16-Bit Timer Counter	336
11.2.2	Starting the Timer	336
11.2.3	Timer Mode Control	337
11.2.4	Capture/Compare Blocks	340
11.2.5	Output Unit	342
11.2.6	Timer_A Interrupts	346
11.3	Timer_A Registers	348
11.3.1	TAxCTL Register	349
11.3.2	TAxR Register	350
11.3.3	TAxCCCTLn Register	351
11.3.4	TAxCCRn Register	353
11.3.5	TAxIV Register	353
11.3.6	TAxEX0 Register	354
12	Timer_B	355
12.1	Timer_B Introduction	356
12.1.1	Similarities and Differences From Timer_A	356
12.2	Timer_B Operation	358
12.2.1	16-Bit Timer Counter	358
12.2.2	Starting the Timer	358
12.2.3	Timer Mode Control	359
12.2.4	Capture/Compare Blocks	362
12.2.5	Output Unit	365
12.2.6	Timer_B Interrupts	369
12.3	Timer_B Registers	371
12.3.1	TBxCTL Register	372
12.3.2	TBxR Register	374
12.3.3	TBxCCCTLn Register	375
12.3.4	TBxCCRn Register	377
12.3.5	TBxIV Register	378
12.3.6	TBxEX0 Register	379
13	Real-Time Clock B (RTC_B)	380
13.1	Real-Time Clock RTC_B Introduction	381
13.2	RTC_B Operation	383
13.2.1	Real-Time Clock and Prescale Dividers	383
13.2.2	Real-Time Clock Alarm Function	383
13.2.3	Reading or Writing Real-Time Clock Registers	384

13.2.4	Real-Time Clock Interrupts	384
13.2.5	Real-Time Clock Calibration	386
13.2.6	Real-Time Clock Operation in LPM3.5 Low-Power Mode.....	387
13.3	RTC_B Registers	388
13.3.1	RTCCTL0 Register	390
13.3.2	RTCCTL1 Register	391
13.3.3	RTCCTL2 Register	392
13.3.4	RTCCTL3 Register	392
13.3.5	RTCSEC Register – Hexadecimal Format	393
13.3.6	RTCSEC Register – BCD Format	393
13.3.7	RTCMIN Register – Hexadecimal Format.....	394
13.3.8	RTCMIN Register – BCD Format.....	394
13.3.9	RTCHOUR Register – Hexadecimal Format.....	395
13.3.10	RTCHOUR Register – BCD Format	395
13.3.11	RTCDOW Register.....	396
13.3.12	RTCDAY Register – Hexadecimal Format.....	396
13.3.13	RTCDAY Register – BCD Format.....	396
13.3.14	RTCMON Register – Hexadecimal Format	397
13.3.15	RTCMON Register – BCD Format.....	397
13.3.16	RTCYEAR Register – Hexadecimal Format.....	398
13.3.17	RTCYEAR Register – BCD Format.....	398
13.3.18	RTCAMIN Register – Hexadecimal Format	399
13.3.19	RTCAMIN Register – BCD Format	399
13.3.20	RTCAHOUR Register – Hexadecimal Format	400
13.3.21	RTCAHOUR Register – BCD Format	400
13.3.22	RTCADOW Register	401
13.3.23	RTCADAY Register – Hexadecimal Format	402
13.3.24	RTCADAY Register – BCD Format.....	402
13.3.25	RTCPS0CTL Register	403
13.3.26	RTCPS1CTL Register	404
13.3.27	RTCPS0 Register	405
13.3.28	RTCPS1 Register	405
13.3.29	RTCIV Register.....	406
13.3.30	BIN2BCD Register	407
13.3.31	BCD2BIN Register	407
14	32-Bit Hardware Multiplier (MPY32).....	408
14.1	32-Bit Hardware Multiplier (MPY32) Introduction.....	409
14.2	MPY32 Operation.....	411
14.2.1	Operand Registers	412
14.2.2	Result Registers	413
14.2.3	Software Examples	414
14.2.4	Fractional Numbers.....	415
14.2.5	Putting It All Together	418
14.2.6	Indirect Addressing of Result Registers	421
14.2.7	Using Interrupts	421
14.2.8	Using DMA	422
14.3	MPY32 Registers	423
14.3.1	MPY32CTL0 Register	425
15	REF Module	426
15.1	REF Introduction	427
15.2	Principle of Operation	428
15.2.1	Low-Power Operation	428
15.2.2	REFCTL.....	428

15.2.3	Reference System Requests	428
15.3	REF Registers	430
15.3.1	REFCTL0 Register	431
16	ADC10_B Module	432
16.1	ADC10_B Introduction	433
16.2	ADC10_B Operation	435
16.2.1	10-Bit ADC Core	435
16.2.2	ADC10_B Inputs and Multiplexer	435
16.2.3	Voltage Reference Generator	436
16.2.4	Auto Power Down	436
16.2.5	Sample and Conversion Timing	436
16.2.6	Conversion Result	438
16.2.7	ADC10_B Conversion Modes	438
16.2.8	Window Comparator	443
16.2.9	Using the Integrated Temperature Sensor	444
16.2.10	ADC10_B Grounding and Noise Considerations	445
16.2.11	ADC10_B Interrupts	446
16.3	ADC10_B Registers	448
16.3.1	ADC10CTL0 Register	449
16.3.2	ADC10CTL1 Register	451
16.3.3	ADC10CTL2 Register	453
16.3.4	ADC10MEM0 Register	454
16.3.5	ADC10MEM0 Register, 2s-Complement Format	454
16.3.6	ADC10MCTL0 Register	455
16.3.7	ADC10HI Register	456
16.3.8	ADC10HI Register, 2s-Complement Format	456
16.3.9	ADC10LO Register	457
16.3.10	ADC10LO Register, 2s-Complement Format	457
16.3.11	ADC10IE Register	458
16.3.12	ADC10IFG Register	459
16.3.13	ADC10IV Register	460
17	Comparator_D	461
17.1	Comparator_D Introduction	462
17.2	Comparator_D Operation	463
17.2.1	Comparator	463
17.2.2	Analog Input Switches	463
17.2.3	Port Logic	463
17.2.4	Input Short Switch	463
17.2.5	Output Filter	464
17.2.6	Reference Voltage Generator	465
17.2.7	Comparator_D, Port Disable Register CDPD	466
17.2.8	Comparator_D Interrupts	466
17.2.9	Comparator_D Used to Measure Resistive Elements	466
17.3	Comparator_D Registers	468
17.3.1	CDCTL0 Register	469
17.3.2	CDCTL1 Register	470
17.3.3	CDCTL2 Register	471
17.3.4	CDCTL3 Register	472
17.3.5	CDINT Register	473
17.3.6	CDIV Register	474
18	Enhanced Universal Serial Communication Interface (eUSCI) – UART Mode	475
18.1	Enhanced Universal Serial Communication Interface A (eUSCI_A) Overview	476
18.2	eUSCI_A Introduction – UART Mode	476

18.3	eUSCI_A Operation – UART Mode	478
18.3.1	eUSCI_A Initialization and Reset	478
18.3.2	Character Format	478
18.3.3	Asynchronous Communication Format	478
18.3.4	Automatic Baud-Rate Detection	481
18.3.5	IrDA Encoding and Decoding	482
18.3.6	Automatic Error Detection	483
18.3.7	eUSCI_A Receive Enable	484
18.3.8	eUSCI_A Transmit Enable	484
18.3.9	UART Baud-Rate Generation	485
18.3.10	Setting a Baud Rate	487
18.3.11	Transmit Bit Timing - Error calculation	488
18.3.12	Receive Bit Timing – Error Calculation	488
18.3.13	Typical Baud Rates and Errors.....	489
18.3.14	Using the eUSCI_A Module in UART Mode With Low-Power Modes	491
18.3.15	eUSCI_A Interrupts in UART Mode.....	492
18.3.16	DMA Operation	493
18.4	eUSCI_A UART Registers.....	494
18.4.1	UCAxCTLW0 Register	495
18.4.2	UCAxCTLW1 Register	496
18.4.3	UCAxBRW Register	497
18.4.4	UCAxMCTLW Register	497
18.4.5	UCAxSTATW Register	498
18.4.6	UCAxRXBUF Register	499
18.4.7	UCAxTXBUF Register	499
18.4.8	UCAxABCTL Register.....	500
18.4.9	UCAxIRCTL Register.....	501
18.4.10	UCAxIE Register	502
18.4.11	UCAxIFG Register	503
18.4.12	UCAxIV Register	504
19	Enhanced Universal Serial Communication Interface (eUSCI) – SPI Mode	505
19.1	Enhanced Universal Serial Communication Interfaces (eUSCI_A, eUSCI_B) Overview	506
19.2	eUSCI Introduction – SPI Mode	506
19.3	eUSCI Operation – SPI Mode.....	508
19.3.1	eUSCI Initialization and Reset	508
19.3.2	Character Format	509
19.3.3	Master Mode	509
19.3.4	Slave Mode	510
19.3.5	SPI Enable.....	511
19.3.6	Serial Clock Control	511
19.3.7	Using the SPI Mode With Low-Power Modes.....	512
19.3.8	eUSCI Interrupts in SPI Mode	512
19.4	eUSCI_A SPI Registers.....	514
19.4.1	UCAxCTLW0 Register	515
19.4.2	UCAxBRW Register	516
19.4.3	UCAxSTATW Register	517
19.4.4	UCAxRXBUF Register	518
19.4.5	UCAxTXBUF Register	519
19.4.6	UCAxIE Register.....	520
19.4.7	UCAxIFG Register.....	521
19.4.8	UCAxIV Register.....	522
19.5	eUSCI_B SPI Registers.....	523
19.5.1	UCBxCTLW0 Register	524

19.5.2	UCBxBRW Register	525
19.5.3	UCBxSTATW Register	525
19.5.4	UCBxRXBUF Register	526
19.5.5	UCBxTXBUF Register	526
19.5.6	UCBxIE Register	527
19.5.7	UCBxIFG Register	527
19.5.8	UCBxIV Register	528
20	Enhanced Universal Serial Communication Interface (eUSCI) – I²C Mode	529
20.1	Enhanced Universal Serial Communication Interface B (eUSCI_B) Overview	530
20.2	eUSCI_B Introduction – I ² C Mode	530
20.3	eUSCI_B Operation – I ² C Mode	531
20.3.1	eUSCI_B Initialization and Reset	532
20.3.2	I ² C Serial Data	532
20.3.3	I ² C Addressing Modes	533
20.3.4	I ² C Quick Setup	534
20.3.5	I ² C Module Operating Modes	535
20.3.6	Glitch Filtering	545
20.3.7	I ² C Clock Generation and Synchronization	545
20.3.8	Byte Counter	547
20.3.9	Multiple Slave Addresses	547
20.3.10	Using the eUSCI_B Module in I ² C Mode With Low-Power Modes	548
20.3.11	eUSCI_B Interrupts in I ² C Mode	548
20.4	eUSCI_B I2C Registers	552
20.4.1	UCBxCTLW0 Register	553
20.4.2	UCBxCTLW1 Register	555
20.4.3	UCBxBRW Register	557
20.4.4	UCBxSTATW	557
20.4.5	UCBxTBCNT Register	558
20.4.6	UCBxRXBUF Register	559
20.4.7	UCBxTXBUF	559
20.4.8	UCBxI2COA0 Register	560
20.4.9	UCBxI2COA1 Register	561
20.4.10	UCBxI2COA2 Register	561
20.4.11	UCBxI2COA3 Register	562
20.4.12	UCBxADDRX Register	562
20.4.13	UCBxADDMASK Register	563
20.4.14	UCBxI2CSA Register	563
20.4.15	UCBxIE Register	564
20.4.16	UCBxIFG Register	566
20.4.17	UCBxIV Register	568
21	Embedded Emulation Module (EEM)	569
21.1	Embedded Emulation Module (EEM) Introduction	570
21.2	EEM Building Blocks	572
21.2.1	Triggers	572
21.2.2	Trigger Sequencer	572
21.2.3	State Storage (Internal Trace Buffer)	572
21.2.4	Cycle Counter	572
21.2.5	Clock Control	572
21.3	EEM Configurations	573
	Revision History	574

List of Figures

1-1.	BOR, POR, and PUC Reset Circuit.....	28
1-2.	Interrupt Priority.....	29
1-3.	Interrupt Processing.....	31
1-4.	Return From Interrupt.....	32
1-5.	Operation Modes	36
1-6.	Devices Descriptor Table.....	44
1-7.	SFRIE1 Register	51
1-8.	SFRIFG1 Register.....	52
1-9.	SFRRPCR Register	53
1-10.	SYSCTL Register	55
1-11.	SYSJMBC Register	56
1-12.	SYSJMBI0 Register	57
1-13.	SYSJMBI1 Register	57
1-14.	SYSJMBO0 Register.....	58
1-15.	SYSJMBO1 Register.....	58
1-16.	SYSUNIV Register	59
1-17.	SYSSNIV Register	59
1-18.	YSRSTIV Register.....	60
2-1.	PMM Block Diagram	62
2-2.	High-Side and Low-Side Voltage Failure and Resulting PMM Actions	63
2-3.	PMM Action at Device Power-Up	64
2-4.	PMMCTL0 Register	67
2-5.	PMMIFG Register	68
2-6.	PM5CTL0 Register.....	69
3-1.	Clock System Block Diagram.....	72
3-2.	Module Request Clock System.....	75
3-3.	Oscillator Fault Logic	77
3-4.	Switch MCLK from DCOCLK to XT1CLK	78
3-5.	CSCTL0 Register.....	80
3-6.	CSCTL1 Register.....	81
3-7.	CSCTL2 Register.....	82
3-8.	CSCTL3 Register.....	83
3-9.	CSCTL4 Register.....	84
3-10.	CSCTL5 Register.....	85
3-11.	CSCTL6 Register.....	86
4-1.	MSP430X CPU Block Diagram.....	89
4-2.	PC Storage on the Stack for Interrupts.....	90
4-3.	Program Counter	91
4-4.	PC Storage on the Stack for CALLA.....	91
4-5.	Stack Pointer.....	92
4-6.	Stack Usage	92
4-7.	PUSHX.A Format on the Stack.....	92
4-8.	PUSH SP, POP SP Sequence	92
4-9.	SR Bits.....	93
4-10.	Register-Byte and Byte-Register Operation	95
4-11.	Register-Word Operation.....	95
4-12.	Word-Register Operation.....	96

4-13.	Register – Address-Word Operation	96
4-14.	Address-Word – Register Operation	97
4-15.	Indexed Mode in Lower 64KB	99
4-16.	Indexed Mode in Upper Memory	100
4-17.	Overflow and Underflow for Indexed Mode	101
4-18.	Example for Indexed Mode	102
4-19.	Symbolic Mode Running in Lower 64KB	104
4-20.	Symbolic Mode Running in Upper Memory	105
4-21.	Overflow and Underflow for Symbolic Mode	106
4-22.	MSP430 Double-Operand Instruction Format.....	114
4-23.	MSP430 Single-Operand Instructions.....	115
4-24.	Format of Conditional Jump Instructions	116
4-25.	Extension Word for Register Modes	119
4-26.	Extension Word for Non-Register Modes.....	119
4-27.	Example for Extended Register or Register Instruction	120
4-28.	Example for Extended Immediate or Indexed Instruction	121
4-29.	Extended Format I Instruction Formats	122
4-30.	20-Bit Addresses in Memory	122
4-31.	Extended Format II Instruction Format.....	123
4-32.	PUSHM and POPM Instruction Format	124
4-33.	RRCM, RRAM, RRUM, and RLAM Instruction Format	124
4-34.	BRA Instruction Format	124
4-35.	CALLA Instruction Format	124
4-36.	Decrement Overlap	150
4-37.	Stack After a RET Instruction	169
4-38.	Destination Operand—Arithmetic Shift Left	171
4-39.	Destination Operand—Carry Left Shift.....	172
4-40.	Rotate Right Arithmetically RRA.B and RRA.W	173
4-41.	Rotate Right Through Carry RRC.B and RRC.W	174
4-42.	Swap Bytes in Memory.....	181
4-43.	Swap Bytes in a Register	181
4-44.	Rotate Left Arithmetically—RLAM[.W] and RLAM.A	208
4-45.	Destination Operand-Arithmetic Shift Left	209
4-46.	Destination Operand-Carry Left Shift	210
4-47.	Rotate Right Arithmetically RRAM[.W] and RRAM.A	211
4-48.	Rotate Right Arithmetically RRAX(.B,.A) – Register Mode.....	213
4-49.	Rotate Right Arithmetically RRAX(.B,.A) – Non-Register Mode	213
4-50.	Rotate Right Through Carry RRCM[.W] and RRCM.A	215
4-51.	Rotate Right Through Carry RRCX(.B,.A) – Register Mode	217
4-52.	Rotate Right Through Carry RRCX(.B,.A) – Non-Register Mode	217
4-53.	Rotate Right Unsigned RRUM[.W] and RRUM.A.....	218
4-54.	Rotate Right Unsigned RRUX(.B,.A) – Register Mode	219
4-55.	Swap Bytes SWPBX.A Register Mode	223
4-56.	Swap Bytes SWPBX.A In Memory	223
4-57.	Swap Bytes SWPBX[.W] Register Mode	224
4-58.	Swap Bytes SWPBX[.W] In Memory	224
4-59.	Sign Extend SCTX.A	225
4-60.	Sign Extend SCTX[.W]	225
5-1.	FRAM Controller Block Diagram.....	244

5-2.	FRCTL0 Register	248
5-3.	GCCTL0 Register	249
5-4.	GCCTL1 Register	250
6-1.	Memory Protection Unit Overview	252
6-2.	Segmentation of Main Memory	253
6-3.	MPUCTL0 Register	258
6-4.	MPUCTL1 Register	259
6-5.	MPUSEG Register	260
6-6.	MPUSAM Register	261
7-1.	DMA Controller Block Diagram	265
7-2.	DMA Addressing Modes	266
7-3.	DMA Single Transfer State Diagram	268
7-4.	DMA Block Transfer State Diagram	270
7-5.	DMA Burst-Block Transfer State Diagram	272
7-6.	DMACTL0 Register	280
7-7.	DMACTL1 Register	281
7-8.	DMACTL2 Register	282
7-9.	DMACTL3 Register	283
7-10.	DMACTL4 Register	284
7-11.	DMAxCTL Register	285
7-12.	DMAxSA Register	287
7-13.	DMAxDA Register	288
7-14.	DMAxSZ Register	289
7-15.	DMAIV Register	290
8-1.	PxIV Register	313
8-2.	PxIN Register	314
8-3.	PxOUT Register	314
8-4.	PxDIR Register	314
8-5.	PxREN Register	315
8-6.	PxSEL0 Register	315
8-7.	PxSEL1 Register	315
8-8.	PxSELC Register	316
8-9.	PxIES Register	316
8-10.	PxIE Register	316
8-11.	PxIFG Register	317
9-1.	LFSR Implementation of CRC-CCITT Standard, Bit 0 is the MSB of the Result	319
9-2.	Implementation of CRC-CCITT Using the CRCDI and CRCINIRES Registers	321
9-3.	CRCDI Register	324
9-4.	CRCDIRB Register	324
9-5.	CRCINIRES Register	325
9-6.	CRCRESR Register	325
10-1.	Watchdog Timer Block Diagram	328
10-2.	WDTCTL Register	332
11-1.	Timer_A Block Diagram	335
11-2.	Up Mode	337
11-3.	Up Mode Flag Setting	337
11-4.	Continuous Mode	338
11-5.	Continuous Mode Flag Setting	338
11-6.	Continuous Mode Time Intervals	338

11-7.	Up/Down Mode.....	339
11-8.	Up/Down Mode Flag Setting	339
11-9.	Output Unit in Up/Down Mode	340
11-10.	Capture Signal (SCS = 1).....	341
11-11.	Capture Cycle	341
11-12.	Output Example – Timer in Up Mode	343
11-13.	Output Example – Timer in Continuous Mode	344
11-14.	Output Example – Timer in Up/Down Mode	345
11-15.	Capture/Compare Interrupt Flag	346
11-16.	TAxCTL Register.....	349
11-17.	TAxR Register	350
11-18.	TAxCTLn Register	351
11-19.	TAxCCRn Register	353
11-20.	TAxIV Register	353
11-21.	TAxEX0 Register.....	354
12-1.	Timer_B Block Diagram	357
12-2.	Up Mode	359
12-3.	Up Mode Flag Setting	359
12-4.	Continuous Mode	360
12-5.	Continuous Mode Flag Setting	360
12-6.	Continuous Mode Time Intervals	360
12-7.	Up/Down Mode.....	361
12-8.	Up/Down Mode Flag Setting	361
12-9.	Output Unit in Up/Down Mode	362
12-10.	Capture Signal (SCS = 1).....	363
12-11.	Capture Cycle	363
12-12.	Output Example – Timer in Up Mode	366
12-13.	Output Example – Timer in Continuous Mode	367
12-14.	Output Example – Timer in Up/Down Mode	368
12-15.	Capture/Compare TBxCCR0 Interrupt Flag	369
12-16.	TBxCTL Register.....	372
12-17.	TBxR Register	374
12-18.	TBxCTLn Register	375
12-19.	TBxCCRn Register	377
12-20.	TBxIV Register	378
12-21.	TBxEX0 Register.....	379
13-1.	RTC_B Block Diagram	382
13-2.	RTCCTL0 Register	390
13-3.	RTCCTL1 Register	391
13-4.	RTCCTL2 Register	392
13-5.	RTCCTL3 Register	392
13-6.	RTCSEC Register	393
13-7.	RTCSEC Register	393
13-8.	RTCMIN Register	394
13-9.	RTCMIN Register	394
13-10.	RTCHOUR Register	395
13-11.	RTCHOUR Register	395
13-12.	RTCDOW Register	396
13-13.	RTCDAY Register	396

13-14. RTCDAY Register	396
13-15. RTCMON Register.....	397
13-16. RTCMON Register.....	397
13-17. RTCYEAR Register.....	398
13-18. RTCYEAR Register.....	398
13-19. RTCAMIN Register	399
13-20. RTCAMIN Register	399
13-21. RTCAHOUR Register	400
13-22. RTCAHOUR Register	400
13-23. RTCADOW Register	401
13-24. RTCADAY Register.....	402
13-25. RTCADAY Register.....	402
13-26. RTCPS0CTL Register.....	403
13-27. RTCPS1CTL Register	404
13-28. RTCPS0 Register	405
13-29. RTCPS1 Register	405
13-30. RTCIV Register	406
13-31. BIN2BCD Register	407
13-32. BCD2BIN Register.....	407
14-1. MPY32 Block Diagram	410
14-2. Q15 Format Representation.....	415
14-3. Q14 Format Representation.....	415
14-4. Saturation Flow Chart	417
14-5. Multiplication Flow Chart.....	419
14-6. MPY32CTL0 Register	425
15-1. REF Block Diagram	427
15-2. REFCTL0 Register	431
16-1. ADC10_B Block Diagram	434
16-2. Analog Multiplexer	435
16-3. Extended Sample Mode	437
16-4. Pulse Sample Mode	437
16-5. Analog Input Equivalent Circuit	438
16-6. Single-Channel Single-Conversion Mode	439
16-7. Sequence-of-Channels Mode	440
16-8. Repeat-Single-Channel Mode.....	441
16-9. Repeat-Sequence-of-Channels Mode.....	442
16-10. Typical Temperature Sensor Transfer Function	444
16-11. ADC10_B Grounding and Noise Considerations	445
16-12. ADC10CTL0 Register	449
16-13. ADC10CTL1 Register	451
16-14. ADC10CTL2 Register	453
16-15. ADC10MEM0 Register	454
16-16. ADC10MEM0 Register	454
16-17. ADC10MCTL0 Register	455
16-18. ADC10HI Register	456
16-19. ADC10HI Register	456
16-20. ADC10LO Register	457
16-21. ADC10LO Register	457
16-22. ADC10IE Register	458

16-23. ADC10IFG Register	459
16-24. ADC10IV Register	460
17-1. Comparator_D Block Diagram	462
17-2. Comparator_D Sample-And-Hold	464
17-3. RC-Filter Response at the Output of the Comparator	465
17-4. Reference Generator Block Diagram	465
17-5. Transfer Characteristic and Power Dissipation in a CMOS Inverter/Buffer	466
17-6. Temperature Measurement System.....	466
17-7. Timing for Temperature Measurement Systems.....	467
17-8. CDCTL0 Register	469
17-9. CDCTL1 Register	470
17-10. CDCTL2 Register	471
17-11. CDCTL3 Register	472
17-12. CDINT Register	473
17-13. CDIV Register	474
18-1. eUSCI_Ax Block Diagram – UART Mode (UCSYNC = 0).....	477
18-2. Character Format	478
18-3. Idle-Line Format.....	479
18-4. Address-Bit Multiprocessor Format.....	480
18-5. Auto Baud-Rate Detection – Break/Synch Sequence	481
18-6. Auto Baud-Rate Detection – Synch Field.....	481
18-7. UART vs IrDA Data Format	482
18-8. Glitch Suppression, eUSCI_A Receive Not Started.....	484
18-9. Glitch Suppression, eUSCI_A Activated	484
18-10. BITCLK Baud-Rate Timing With UCOS16 = 0.....	485
18-11. Receive Error.....	489
18-12. UCAXCTLW0 Register	495
18-13. UCAXCTLW1 Register	496
18-14. UCAXBRW Register	497
18-15. UCAXMCTLW Register	497
18-16. UCAXSTATW Register	498
18-17. UCAXRXBUF Register	499
18-18. UCAXTXBUF Register.....	499
18-19. UCAXABCTL Register.....	500
18-20. UCAXIRCTL Register.....	501
18-21. UCAXIE Register.....	502
18-22. UCAXIFG Register	503
18-23. UCAXIV Register	504
19-1. eUSCI Block Diagram – SPI Mode.....	507
19-2. eUSCI Master and External Slave (UCSTEM = 0)	509
19-3. eUSCI Slave and External Master.....	510
19-4. eUSCI SPI Timing With UCMSB = 1	512
19-5. UCAXCTLW0 Register	515
19-6. UCAXBRW Register	516
19-7. UCAXSTATW Register	517
19-8. UCAXRXBUF Register	518
19-9. UCAXTXBUF Register.....	519
19-10. UCAXIE Register.....	520
19-11. UCAXIFG Register.....	521

19-12. UCxIV Register	522
19-13. UCxCTLW0 Register	524
19-14. UCxBRW Register	525
19-15. UCxSTATW Register	525
19-16. UCxRXBUF Register	526
19-17. UCxTXBUF Register.....	526
19-18. UCxIE Register	527
19-19. UCxIFG Register	527
19-20. UCxIV Register	528
20-1. eUSCI_B Block Diagram – I ² C Mode	531
20-2. I ² C Bus Connection Diagram	532
20-3. I ² C Module Data Transfer.....	533
20-4. Bit Transfer on I ² C Bus.....	533
20-5. I ² C Module 7-Bit Addressing Format	533
20-6. I ² C Module 10-Bit Addressing Format.....	534
20-7. I ² C Module Addressing Format With Repeated START Condition	534
20-8. I ² C Time-Line Legend	536
20-9. I ² C Slave Transmitter Mode	537
20-10. I ² C Slave Receiver Mode	538
20-11. I ² C Slave 10-Bit Addressing Mode	539
20-12. I ² C Master Transmitter Mode.....	541
20-13. I ² C Master Receiver Mode.....	543
20-14. I ² C Master 10-Bit Addressing Mode	544
20-15. Arbitration Procedure Between Two Master Transmitters.....	544
20-16. Synchronization of Two I ² C Clock Generators During Arbitration	545
20-17. UCxCTLW0 Register	553
20-18. UCxCTLW1 Register	555
20-19. UCxBRW Register	557
20-20. UCxSTATW Register	557
20-21. UCxTBCNT Register	558
20-22. UCxRXBUF Register	559
20-23. UCxTXBUF Register.....	559
20-24. UCxI2COA0 Register.....	560
20-25. UCxI2COA1 Register.....	561
20-26. UCxI2COA2 Register.....	561
20-27. UCxI2COA3 Register.....	562
20-28. UCxADDRX Register	562
20-29. UCxADDMASK Register	563
20-30. UCxI2CSA Register.....	563
20-31. UCxIE Register.....	564
20-32. UCxIFG Register	566
20-33. UCxIV Register	568
21-1. Large Implementation of EEM	571

List of Tables

1-1.	Interrupt Sources, Flags, and Vectors	32
1-2.	Operation Modes	37
1-3.	Requested vs Actual LPM.....	37
1-4.	Connection of Unused Pins	39
1-5.	Tag Values	45
1-6.	REF Calibration Tags	46
1-7.	ADC Calibration Tags.....	47
1-8.	BSL Configuration Tags	48
1-9.	BSL_COM_IF Values	48
1-10.	BSL_CIF_CONFIG Values	49
1-11.	SFR Registers	50
1-12.	SFRIE1 Register Description	51
1-13.	SFRIFG1 Register Description	52
1-14.	SFRRPCR Register Description.....	53
1-15.	SYS Registers	54
1-16.	SYSCTL Register Description	55
1-17.	SYSJMBC Register Description	56
1-18.	SYSJMBI0 Register Description.....	57
1-19.	SYSJMBI1 Register Description.....	57
1-20.	SYSJMBO0 Register Description	58
1-21.	SYSJMBO1 Register Description	58
1-22.	SYSUNIV Register Description	59
1-23.	SYSSNIV Register Description	59
1-24.	SYSRSTIV Register Description	60
2-1.	PMM Registers	66
2-2.	PMMCTL0 Register Description.....	67
2-3.	PMMIFG Register Description.....	68
2-4.	PM5CTL0 Register Description	69
3-1.	System Clocks vs Power Modes and Clock Requests	76
3-2.	CS Registers	79
3-3.	CSCTL0 Register Description	80
3-4.	CSCTL1 Register Description	81
3-5.	CSCTL2 Register Description	82
3-6.	CSCTL3 Register Description	83
3-7.	CSCTL4 Register Description	84
3-8.	CSCTL5 Register Description	85
3-9.	CSCTL6 Register Description	86
4-1.	SR Bit Description	93
4-2.	Values of Constant Generators CG1, CG2	94
4-3.	Source and Destination Addressing	97
4-4.	MSP430 Double-Operand Instructions.....	115
4-5.	MSP430 Single-Operand Instructions.....	115
4-6.	Conditional Jump Instructions	116
4-7.	Emulated Instructions	116
4-8.	Interrupt, Return, and Reset Cycles and Length	117
4-9.	MSP430 Format II Instruction Cycles and Length.....	117
4-10.	MSP430 Format I Instructions Cycles and Length	118

4-11.	Description of the Extension Word Bits for Register Mode.....	119
4-12.	Description of Extension Word Bits for Non-Register Modes	120
4-13.	Extended Double-Operand Instructions.....	121
4-14.	Extended Single-Operand Instructions.....	123
4-15.	Extended Emulated Instructions	125
4-16.	Address Instructions, Operate on 20-Bit Register Data	126
4-17.	MSP430X Format II Instruction Cycles and Length	127
4-18.	MSP430X Format I Instruction Cycles and Length.....	128
4-19.	Address Instruction Cycles and Length.....	129
4-20.	Instruction Map of MSP430X.....	130
5-1.	Manual Wait State Settings.....	246
5-2.	FRCTL Registers	247
5-3.	FRCTL0 Register Description	248
5-4.	GCCTL0 Register Description	249
5-5.	GCCTL1 Register Description	250
6-1.	Page Addresses for 16KB, 8KB, and 4KB Main Memory	254
6-2.	Segment Access Rights.....	255
6-3.	MPU Registers	257
6-4.	MPUCTL0 Register Description.....	258
6-5.	MPUCTL1 Register Description.....	259
6-6.	MPUSEG Register Description	260
6-7.	MPUSAM Register Description	261
7-1.	DMA Transfer Modes.....	267
7-2.	DMA Trigger Operation	274
7-3.	Maximum Single-Transfer DMA Cycle Time	275
7-4.	DMA Registers	278
7-5.	DMACTL0 Register Description.....	280
7-6.	DMACTL1 Register Description.....	281
7-7.	DMACTL2 Register Description.....	282
7-8.	DMACTL3 Register Description.....	283
7-9.	DMACTL4 Register Description.....	284
7-10.	DMAxCTL Register Description.....	285
7-11.	DMAxSA Register Description	287
7-12.	DMAxDA Register Description	288
7-13.	DMAxSZ Register Description	289
7-14.	DMAIV Register Description.....	290
8-1.	I/O Configuration	293
8-2.	I/O Function Selection.....	294
8-3.	Digital I/O Registers	299
8-4.	PxIV Register Description	313
8-5.	PxIN Register Description	314
8-6.	PxOUT Register Description	314
8-7.	P1DIR Register Description	314
8-8.	PxREN Register Description	315
8-9.	PxSEL0 Register Description	315
8-10.	PxSEL1 Register Description	315
8-11.	PxSELC Register Description	316
8-12.	PxIES Register Description.....	316
8-13.	PxIE Register Description	316

8-14.	PxIFG Register Description	317
9-1.	CRC Registers	323
9-2.	CRCDI Register Description.....	324
9-3.	CRCDIRB Register Description.....	324
9-4.	CRCINIRES Register Description	325
9-5.	CRCRESR Register Description.....	325
10-1.	WDT_A Registers.....	331
10-2.	WDTCTL Register Description	332
11-1.	Timer Modes	337
11-2.	Output Modes	342
11-3.	Timer_A Registers	348
11-4.	TAxCTL Register Description	349
11-5.	TAxR Register Description	350
11-6.	TAxCTLn Register Description.....	351
11-7.	TAxCCRn Register Description	353
11-8.	TAxIV Register Description.....	353
11-9.	TAxEX0 Register Description	354
12-1.	Timer Modes	359
12-2.	TBxCLn Load Events.....	364
12-3.	Compare Latch Operating Modes	365
12-4.	Output Modes	365
12-5.	Timer_B Registers	371
12-6.	TBxCTL Register Description	372
12-7.	TBxR Register Description	374
12-8.	TBxCTLn Register Description.....	375
12-9.	TBxCCRn Register Description	377
12-10.	TBxIV Register Description.....	378
12-11.	TBxEX0 Register Description	379
13-1.	RTC_B Registers	388
13-2.	RTCCTL0 Register Description	390
13-3.	RTCCTL1 Register Description	391
13-4.	RTCCTL2 Register Description.....	392
13-5.	RTCCTL3 Register Description	392
13-6.	RTCSEC Register Description	393
13-7.	RTCSEC Register Description	393
13-8.	RTCMIN Register Description.....	394
13-9.	RTCMIN Register Description.....	394
13-10.	RTCHOUR Register Description.....	395
13-11.	RTCHOUR Register Description.....	395
13-12.	RTCDOW Register Description	396
13-13.	RTCDAY Register Description	396
13-14.	RTCDAY Register Description	396
13-15.	RTCMON Register Description	397
13-16.	RTCMON Register Description	397
13-17.	RTCYEAR Register Description	398
13-18.	RTCYEAR Register Description	398
13-19.	RTCAMIN Register Description.....	399
13-20.	RTCAMIN Register Description.....	399
13-21.	RTCAHOUR Register Description.....	400

13-22. RTCAHOUR Register Description	400
13-23. RTCADOW Register Description	401
13-24. RTCADAY Register Description	402
13-25. RTCADAY Register Description	402
13-26. RTCPS0CTL Register Description	403
13-27. RTCPS1CTL Register Description	404
13-28. RTCPS0 Register Description	405
13-29. RTCPS1 Register Description	405
13-30. RTCIV Register Description	406
13-31. BIN2BCD Register Description	407
13-32. BCD2BIN Register Description	407
14-1. Result Availability (MPYFRAC = 0, MPYSAT = 0)	411
14-2. OP1 Registers.....	412
14-3. OP2 Registers.....	412
14-4. SUMEXT and MPYC Contents.....	413
14-5. Result Availability in Fractional Mode (MPYFRAC = 1, MPYSAT = 0)	416
14-6. Result Availability in Saturation Mode (MPYSAT = 1)	417
14-7. MPY32 Registers	423
14-8. Alternative Registers	424
14-9. MPY32CTL0 Register Description.....	425
15-1. REF Control of Reference System (REFMSTR = 1) (Default).....	428
15-2. REF Registers.....	430
15-3. REFCTL0 Register Description	431
16-1. Conversion Mode Summary.....	438
16-2. ADC10_B Registers	448
16-3. ADC10CTL0 Register Description	449
16-4. ADC10CTL1 Register Description	451
16-5. ADC10CTL2 Register Description	453
16-6. ADC10MEM0 Register Description.....	454
16-7. ADC10MEM0 Register Description.....	454
16-8. ADC10MCTL0 Register Description.....	455
16-9. ADC10HI Register Description.....	456
16-10. ADC10HI Register Description.....	456
16-11. ADC10LO Register Description	457
16-12. ADC10LO Register Description	457
16-13. ADC10IE Register Description	458
16-14. ADC10IFG Register Description	459
16-15. ADC10IV Register Description	460
17-1. Comparator_D Registers	468
17-2. CDCTL0 Register Description.....	469
17-3. CDCTL1 Register Description.....	470
17-4. CDCTL2 Register Description.....	471
17-5. CDCTL3 Register Description.....	472
17-6. CDINT Register Description	473
17-7. CDIV Register Description.....	474
18-1. Receive Error Conditions	483
18-2. Modulation Pattern Examples	485
18-3. BITCLK16 Modulation Pattern	486
18-4. UCBRSt Settings for Fractional Portion of $N = f_{BRCLK}/\text{Baud Rate}$	487

18-5.	Recommended Settings for Typical Crystals and Baud Rates	490
18-6.	UART State Change Interrupt Flags	492
18-7.	eUSCI_A UART Registers.....	494
18-8.	UCAxCTLW0 Register Description	495
18-9.	UCAxCTLW1 Register Description	496
18-10.	UCAxBRW Register Description.....	497
18-11.	UCAxMCTLW Register Description	497
18-12.	UCAxSTATW Register Description.....	498
18-13.	UCAxRXBUF Register Description	499
18-14.	UCAxTXBUF Register Description	499
18-15.	UCAxABCTL Register Description	500
18-16.	UCAxIRCTL Register Description	501
18-17.	UCAxIE Register Description.....	502
18-18.	UCAxIFG Register Description.....	503
18-19.	UCAxIV Register Description.....	504
19-1.	UCxSTE Operation	508
19-2.	eUSCI_A SPI Registers.....	514
19-3.	UCAxCTLW0 Register Description	515
19-4.	UCAxBRW Register Description	516
19-5.	UCAxSTATW Register Description.....	517
19-6.	UCAxRXBUF Register Description	518
19-7.	UCAxTXBUF Register Description	519
19-8.	UCAxIE Register Description.....	520
19-9.	UCAxIFG Register Description.....	521
19-10.	UCAxIV Register Description.....	522
19-11.	eUSCI_B SPI Registers.....	523
19-12.	UCBxCTLW0 Register Description	524
19-13.	UCBxBRW Register Description	525
19-14.	UCBxSTATW Register Description.....	525
19-15.	UCBxRXBUF Register Description	526
19-16.	UCBxTXBUF Register Description	526
19-17.	UCBxIE Register Description.....	527
19-18.	UCBxIFG Register Description.....	527
19-19.	UCBxIV Register Description.....	528
20-1.	Glitch Filter Length Selection Bits	545
20-2.	I ² C State Change Interrupt Flags	550
20-3.	eUSCI_B Registers	552
20-4.	UCBxCTLW0 Register Description	553
20-5.	UCBxCTLW1 Register Description	555
20-6.	UCBxBRW Register Description	557
20-7.	UCBxSTATW Register Description.....	557
20-8.	UCBxTBCNT Register Description	558
20-9.	UCBxRXBUF Register Description	559
20-10.	UCBxTXBUF Register Description	559
20-11.	UCBxI2COA0 Register Description	560
20-12.	UCBxI2COA1 Register Description	561
20-13.	UCBxI2COA2 Register Description	561
20-14.	UCBxI2COA3 Register Description	562
20-15.	UCBxADDRX Register Description.....	562

20-16. UCBxADDMASK Register Description	563
20-17. UCBxI2CSA Register Description	563
20-18. UCBxIE Register Description.....	564
20-19. UCBxIFG Register Description.....	566
20-20. UCBxIV Register Description.....	568
21-1. EEM Configurations	573

Read This First

About This Manual

This manual describes the modules and peripherals of the MSP430FR57xx family of devices. Each description presents the module or peripheral in a general sense. Not all features and functions of all modules or peripherals may be present on all devices. In addition, modules or peripherals may differ in their exact implementation between device families, or may not be fully implemented on an individual device or device family.

Pin functions, internal signal connections, and operational parameters differ from device to device. The user should consult the device-specific data sheet for these details.

Related Documentation From Texas Instruments

For related documentation see the web site <http://www.ti.com/msp430>.

Glossary

ACLK	Auxiliary Clock
ADC	Analog-to-Digital Converter
BOR	Brown-Out Reset
BSL	Bootstrap Loader; see www.ti.com/msp430 for application reports
CPU	Central Processing Unit
DAC	Digital-to-Analog Converter
DCO	Digitally Controlled Oscillator
dst	Destination
FLL	Frequency Locked Loop
GIE Modes	General Interrupt Enable
INT(N/2)	Integer portion of N/2
I/O	Input/Output
ISR	Interrupt Service Routine
LSB	Least-Significant Bit
LSD	Least-Significant Digit
LPM	Low-Power Mode; also named PM for Power Mode
MAB	Memory Address Bus
MCLK	Master Clock
MDB	Memory Data Bus
MSB	Most-Significant Bit
MSD	Most-Significant Digit
NMI	(Non)-Maskable Interrupt; also split to UNMI and SNMI
PC	Program Counter
PM	Power Mode
POR	Power-On Reset
PUC	Power-Up Clear
RAM	Random Access Memory
SCG	System Clock Generator
SFR	Special Function Register

SMCLK	Sub-System Master Clock
SNMI	System NMI
SP	Stack Pointer
SR	Status Register
src	Source
TOS	Top of stack
UNMI	User NMI
WDT	Watchdog Timer
z16	16-bit address space

Register Bit Conventions

Each register is shown with a key indicating the accessibility of the each individual bit, and the initial condition:

Register Bit Accessibility and Initial Condition

Key	Bit Accessibility
rw	Read/write
r	Read only
r0	Read as 0
r1	Read as 1
w	Write only
w0	Write as 0
w1	Write as 1
(w)	No register bit implemented; writing a 1 results in a pulse. The register bit is always read as 0.
h0	Cleared by hardware
h1	Set by hardware
-0,-1	Condition after PUC
-(0),-(1)	Condition after POR
-[0],[-1]	Condition after BOR
-{0},-{1}	Condition after Brownout

System Resets, Interrupts, and Operating Modes, System Control Module (SYS)

The system control module (SYS) is available on all devices. The basic features of SYS are:

- Brownout reset (BOR) and power on reset (POR) handling
- Power up clear (PUC) handling
- (Non)maskable interrupt (SNMI or UNMI) event source selection and management
- User data-exchange mechanism through the JTAG mailbox (JMB)
- Bootloader (BSL) entry mechanism
- Configuration management (device descriptors)
- Interrupt vector generators for reset and NMIs

Topic	Page
1.1 System Control Module (SYS) Introduction	27
1.2 System Reset and Initialization	27
1.3 Interrupts	29
1.4 Operating Modes	35
1.5 Principles for Low-Power Applications	39
1.6 Connection of Unused Pins	39
1.7 Reset Pin (RST/NMI) Configuration	40
1.8 Configuring JTAG Pins	40
1.9 Vacant Memory Space	40
1.10 Boot Code	40
1.11 Bootloader (BSL)	41
1.12 JTAG Mailbox (JMB) System	41
1.13 JTAG and SBW Lock Mechanism Using the Electronic Fuse	42
1.14 Device Descriptor Table	43
1.15 SFR Registers	50
1.16 SYS Registers	54

1.1 System Control Module (SYS) Introduction

SYS is responsible for the interaction between various modules throughout the system. The functions that SYS provides for are not inherent to the modules themselves. Address decoding, bus arbitration, interrupt event consolidation, and reset generation are some examples of the many functions that SYS provides.

1.2 System Reset and Initialization

The system reset circuitry is shown in [Figure 1-1](#) and sources a brownout reset (BOR), a power-on reset (POR), and a power-up clear (PUC). Different events trigger these reset signals and different initial conditions exist depending on which signal was generated.

A BOR is a device reset. A BOR is generated only by the following events:

- Powering up the device
- Low signal on the $\overline{\text{RST/NMI}}$ pin when configured in the reset mode
- Wake-up event from LPMx.5 (that is, LPM3.5 or LPM4.5) mode
- SVS_H low condition, when enabled (see the [PMM and SVS](#) chapter for details)
- SVS_L low condition, when enabled (see the [PMM and SVS](#) chapter for details)
- Software BOR event (see the [PMM and SVS](#) chapter for details)

A POR is always generated when a BOR is generated, but a BOR is not generated by a POR. The following events trigger a POR:

- BOR signal
- Software POR event (see the [PMM and SVS](#) chapter for details)

A PUC is always generated when a POR is generated, but a POR is not generated by a PUC. The following events trigger a PUC:

- POR signal
- Watchdog timer expiration when watchdog mode only (see the [WDT_A](#) chapter for details)
- Watchdog timer password violation (see the [WDT_A](#) chapter for details)
- FRAM memory password violation (see the [FRAM Controller](#) chapter for details)
- Power Management Module password violation (see the [PMM and SVS](#) chapter for details)
- Memory Protection Unit password violation (see the [MPU](#) chapter for details)
- Memory segment violation (see the [MPU](#) chapter for details)
- Clock System password violation (see the [Clock System](#) chapter for details)
- Fetch from peripheral area
- Uncorrectable FRAM bit error detection

NOTE: The number and type of resets available may vary from device to device. See the device-specific data sheet for all reset sources available.

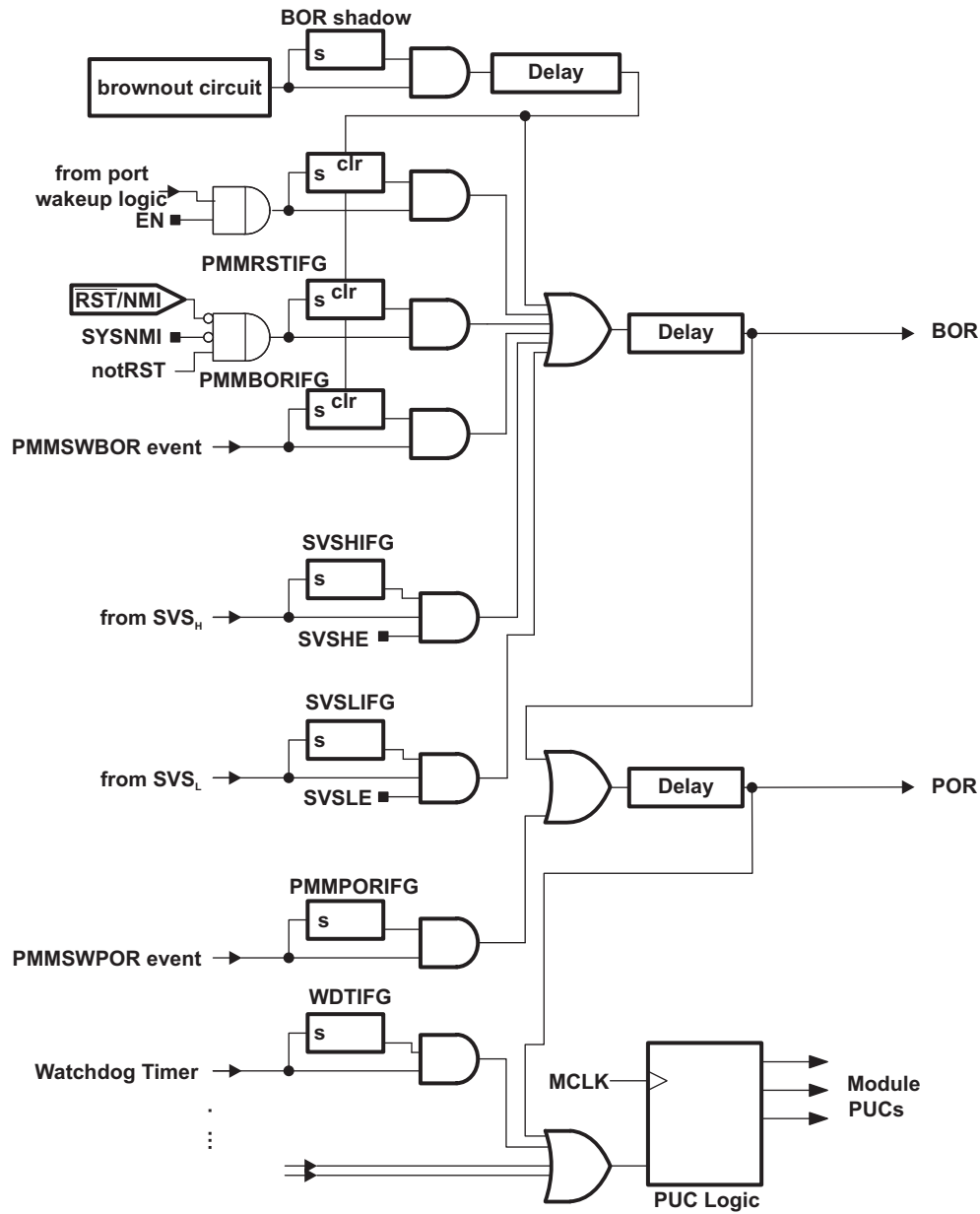


Figure 1-1. BOR, POR, and PUC Reset Circuit

1.2.1 Device Initial Conditions After System Reset

After a BOR, the initial device conditions are:

- The $\overline{\text{RST}}/\text{NMI}$ pin is configured in the reset mode. See Section 1.7 for details on configuring the $\overline{\text{RST}}/\text{NMI}$ pin.
- I/O pins are switched to input mode as described in the Digital I/O chapter.
- Other peripheral modules and registers are initialized as described in their respective chapters.
- Status register (SR) is reset.
- The watchdog timer powers up active in watchdog mode.
- Program counter (PC) is loaded with the boot code address and boot code execution begins at that address. See Section 1.10 for more information regarding the boot code. Upon completion of the boot code, the PC is loaded with the address contained at the SYSRSTIV reset location (0FFFh).

After a system reset, user software must initialize the device for the application requirements. The following must occur:

- Initialize the stack pointer (SP), typically to the top of RAM when available, otherwise FRAM location.
- Initialize the watchdog to the requirements of the application.
- Configure peripheral modules to the requirements of the application.

NOTE: A device that is unprogrammed or blank is defined as having its reset vector value, residing at memory address FFFEh, equal to FFFFh. Upon system reset of a blank device, the device automatically enters operating mode LPM4. See Section 1.4 for information on operating modes and Section 1.3.6 for details on interrupt vectors.

1.3 Interrupts

The interrupt priorities are fixed and defined by the arrangement of the modules in the connection chain as shown in Figure 1-2. Interrupt priorities determine what interrupt is taken when more than one interrupt is pending simultaneously.

There are three types of interrupts:

- System reset
- (Non)maskable
- Maskable

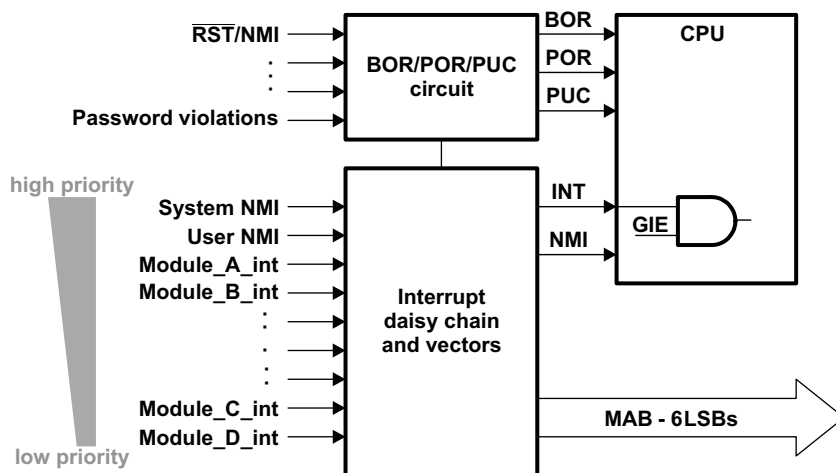


Figure 1-2. Interrupt Priority

NOTE: The types of interrupt sources available and their respective priorities change from device to device. See the device-specific data sheet for all interrupt sources and their priorities.

1.3.1 (Non)Maskable Interrupts (NMIs)

In general, NMIs are not masked by the general interrupt enable (GIE) bit. Two levels of NMIs are supported — system NMI (SNMI) and user NMI (UNMI). The NMI sources are enabled by individual interrupt enable bits. When an NMI interrupt is accepted, other NMIs of that level are automatically disabled to prevent nesting of consecutive NMIs of the same level. Program execution begins at the address stored in the NMI vector as shown in [Section 1.3.6](#). To allow software backward compatibility to users of earlier MSP430 families, the software may, but does not need to, reenable NMI sources. The block diagram for NMI sources is shown in [Section 1.3](#).

A UNMI interrupt can be generated by following sources:

- An edge on the $\overline{\text{RST}}/\text{NMI}$ pin when configured in NMI mode
- An oscillator fault occurs

A SNMI interrupt can be generated by following sources:

- FRAM errors (see the [FRAM Controller](#) chapter for details)
- Vacant memory access
- JTAG mailbox (JMB) event

NOTE: The number and types of NMI sources may vary from device to device. See the device-specific data sheet for all NMI sources available.

1.3.2 SNMI Timing

Consecutive SNMIs that occur at a higher rate than they can be handled (interrupt storm) allow the main program to execute one instruction after the SNMI handler is finished with a RETI instruction, before the SNMI handler is executed again. Consecutive SNMIs are not interrupted by UNMIs in this case. This avoids a blocking behavior on high SNMI rates.

1.3.3 Maskable Interrupts

Maskable interrupts are caused by peripherals with interrupt capability. Each maskable interrupt source can be disabled individually by an interrupt enable bit, or all maskable interrupts can be disabled by the general interrupt enable (GIE) bit in the status register (SR).

Each individual peripheral interrupt is discussed in its respective module chapter in this manual.

1.3.4 Interrupt Processing

When an interrupt is requested from a peripheral and the peripheral interrupt enable bit and GIE bit are set, the interrupt service routine is requested. Only the individual enable bit must be set for (non)-maskable interrupts (NMI) to be requested.

1.3.4.1 Interrupt Acceptance

The interrupt latency is six cycles, starting with the acceptance of an interrupt request, and lasting until the start of execution of the first instruction of the interrupt service routine, as shown in [Figure 1-3](#). The interrupt logic executes the following:

1. Any currently executing instruction is completed.
2. The PC, which points to the next instruction, is pushed onto the stack.
3. The SR is pushed onto the stack.
4. The interrupt with the highest priority is selected if multiple interrupts occurred during the last instruction and are pending for service.
5. The interrupt request flag resets automatically on single-source flags. Multiple source flags remain set for servicing by software.
6. All bits of SR are cleared except SCG0, thereby terminating any low-power mode. Because the GIE bit is cleared, further interrupts are disabled.
7. The content of the interrupt vector is loaded into the PC; the program continues with the interrupt service routine at that address.

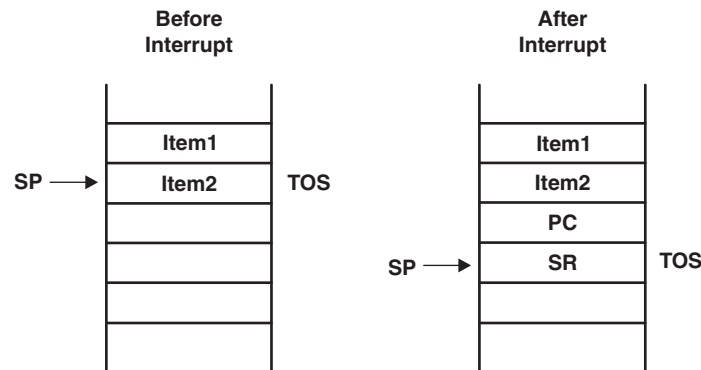


Figure 1-3. Interrupt Processing

NOTE: Enable and Disable Interrupt

Due to the pipelined CPU architecture, setting the general interrupt enable (GIE) requires special care.

- The instruction immediately after the enable interrupts instruction (EINT) is always executed, even if an interrupt service request is pending.
- Include at least one instruction between the clear of an interrupt enable or interrupt flag and the EINT instruction. For example: Insert a NOP instruction in front of the EINT instruction.
- Include at least one instruction between DINT and the start of a code sequence that requires protection from interrupts. For example: Insert a NOP instruction after the DINT.
- Never clear the general interrupt enable (GIE) immediately after setting it. Insert at least one instruction in between such sequence.

The rules above apply to all instructions that set or clear the general interrupt enable bit. Not following these rules might result in unexpected CPU execution.

1.3.4.2 Return From Interrupt

The interrupt handling routine terminates with the instruction:

```
RETI //return from an interrupt service routine
```

The return from the interrupt takes five cycles to execute the following actions and is illustrated in Figure 1-4.

1. The SR with all previous settings pops from the stack. All previous settings of GIE, CPUOFF, and so on are now in effect, regardless of the settings used during the interrupt service routine.
2. The PC pops from the stack and begins execution where it was interrupted.

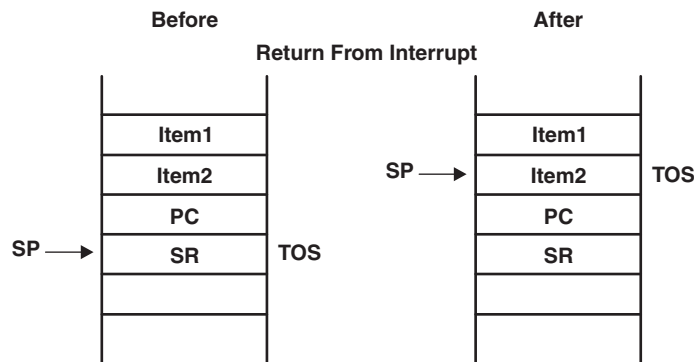


Figure 1-4. Return From Interrupt

1.3.5 Interrupt Nesting

Interrupt nesting is enabled if the GIE bit is set inside an interrupt service routine. When interrupt nesting is enabled, any interrupt occurring during an interrupt service routine interrupts the routine, regardless of the interrupt priorities.

1.3.6 Interrupt Vectors

The interrupt vectors are located in the address range 0FFFFh to 0FF80h, for a maximum of 64 interrupt sources. A vector is programmed by the user and points to the start location of the corresponding interrupt service routine. Table 1-1 is an example of the interrupt vectors available. See the device-specific data sheet for the complete interrupt vector list.

Table 1-1. Interrupt Sources, Flags, and Vectors

Interrupt Source	Interrupt Flag	System Interrupt	Word Address	Priority
Reset: power up, external reset watchdog, FRAM password	... WDTIFG FRCTLPW	... Reset	... 0FFFEh	... Highest
System NMI: JTAG Mailbox	JMBINIFG, JMBOUTIFG	(Non)maskable	0FFFC h	...
User NMI: NMI oscillator fault	... NMIFG OFIFG	... (Non)maskable (Non)maskable	... 0FFFAh
Device specific			0FF8h	...
...		
Watchdog timer	WDTIFG	Maskable
...		
Device specific		
Reserved		Maskable	...	Lowest

Some interrupt enable bits and interrupt flags, as well as control bits for the $\overline{\text{RST}}$ /NMI pin, are located in the special function registers (SFR). The SFR are located in the peripheral address range and are byte and word accessible. See the device-specific data sheet for the SFR configuration.

1.3.6.1 Alternate Interrupt Vectors

On devices that contain RAM, it is possible to use the RAM as an alternate location for the interrupt vector locations. Setting the SYSRIVECT bit to '1' in SYSCTL causes the interrupt vectors to be remapped to the top of RAM. The total RAM size varies depending on the device configurations and could include one or multiple RAM sections. The alternate location is always the highest address of the entire RAM space available in the device. Note that the SYSRIVECT bit is automatically cleared on a BOR, so the default reset vector location (0FFFEh) will be used after a BOR before setting the SYSRIVECT bit to '1'.

1.3.7 SYS Interrupt Vector Generators

SYS collects all system NMI (SNMI) sources, user NMI (UNMI) sources, and BOR, POR, or PUC (reset) sources of all the other modules. They are combined into three interrupt vectors. The interrupt vector registers SYSRSTIV, SYSSNIV, SYSUNIV are used to determine which flags requested an interrupt or a reset. The interrupt with the highest priority of a group, when enabled, generates a number in the corresponding SYSRSTIV, SYSSNIV, SYSUNIV register. This number can be directly added to the program counter, causing a branch to the appropriate portion of the interrupt service routine. Disabled interrupts do not affect the SYSRSTIV, SYSSNIV, SYSUNIV values. Reading SYSRSTIV, SYSSNIV, SYSUNIV register automatically resets the highest pending interrupt flag of that register. If another interrupt flag is set, another interrupt is immediately generated after servicing the initial interrupt. Writing to the SYSRSTIV, SYSSNIV, SYSUNIV register automatically resets all pending interrupt flags of the group.

1.3.7.1 SYSSNIV Software Example

The following software example shows the recommended use of SYSSNIV. The SYSSNIV value is added to the PC to automatically jump to the appropriate routine. For SYSRSTIV and SYSUNIV, a similar software approach can be used. The following is an example for a generic device. Vectors can change in priority for a given device. The device-specific data sheet should be referenced for the vector locations. All vectors should be coded symbolically to allow for easy portability of code.

```

SNI_ISR:  ADD    &SYSSNIV,PC    ; Add offset to jump table
          RETI                   ; Vector 0: No interrupt
          JMP    DBD_ISR        ; Vector 2: DBDIFG
          JMP    ACCTIM_ISR     ; Vector 4: ACCTIMIFG
          JMP    RSVD1_ISR     ; Vector 6: Reserved for future usage.
          JMP    RSVD2_ISR     ; Vector 8: Reserved for future usage.
          JMP    RSVD3_ISR     ; Vector 10: Reserved for future usage.
          JMP    RSVD4_ISR     ; Vector 12: Reserved for future usage.
          JMP    ACCV_ISR      ; Vector 14: ACCVIFG
          JMP    VMA_ISR       ; Vector 16: VMAIFG
          JMP    JMBI_ISR      ; Vector 18: JMBINIFG
          JMP    JMBO_ISR      ; Vector 20: JMBOUTIFG
          JMP    SBD_ISR       ; Vector 22: SBDIFG

DBD_ISR:  ; Vector 2: DBDIFG
          ...                   ; Task_2 starts here
          RETI                   ; Return
ACCTIM_ISR: ; Vector 4
          ...                   ; Task_4 starts here
          RETI                   ; Return
RSVD1_ISR: ; Vector 6
          ...                   ; Task_6 starts here
          RETI                   ; Return
RSVD2_ISR: ; Vector 8
          ...                   ; Task_8 starts here
          RETI                   ; Return
RSVD3_ISR: ; Vector 10
          ...                   ; Task_10 starts here
          RETI                   ; Return
RSVD4_ISR: ; Vector 12
          ...                   ; Task_12 starts here
          RETI                   ; Return
ACCV_ISR: ; Vector 14
          ...                   ; Task_14 starts here
          RETI                   ; Return
VMA_ISR:  ; Vector 16
          ...                   ; Task_16 starts here
          RETI                   ; Return
JMBI_ISR: ; Vector 18
          ...                   ; Task_18 starts here
JMBO_ISR: ; Vector 20
          ...                   ; Task_20 starts here
          RETI                   ; Return
SBD_ISR:  ; Vector 22
          ...                   ; Task_22 starts here
          RETI                   ; Return

```

1.4 Operating Modes

The MSP430 family is designed for ultralow-power applications and uses different operating modes shown in [Figure 1-5](#).

The operating modes take into account three different needs:

- Ultra-low power
- Speed and data throughput
- Minimization of individual peripheral current consumption

The low-power modes LPM0 through LPM4 are configured with the CPUOFF, OSCOFF, SCG0, and SCG1 bits in the SR. The advantage of including the CPUOFF, OSCOFF, SCG0, and SCG1 mode-control bits in the SR is that the present operating mode is saved onto the stack during an interrupt service routine. Program flow returns to the previous operating mode if the saved SR value is not altered during the interrupt service routine. Program flow can be returned to a different operating mode by manipulating the saved SR value on the stack inside of the interrupt service routine. When setting any of the mode-control bits, the selected operating mode takes effect immediately. Peripherals operating with any disabled clock are disabled until the clock becomes active. Peripherals may also be disabled with their individual control register settings. All I/O port pins, RAM, and registers are unchanged. Wakeup from LPM0 through LPM4 is possible through all enabled interrupts.

When LPMx.5 (LPM3.5 or LPM4.5) is entered, the voltage regulator of the Power Management Module (PMM) is disabled. All RAM and register contents are lost. Although the I/O register contents are lost, the I/O pin states are locked upon LPMx.5 entry. See the [Digital I/O](#) chapter for further details. Wakeup from LPM4.5 is possible through a power sequence, a $\overline{\text{RST}}$ event, or from specific I/O. Wakeup from LPM3.5 is possible through a power sequence, a $\overline{\text{RST}}$ event, RTC event, or from specific I/O.

NOTE: The TEST/SBWTCK pin is used for interfacing to the development tools through Spy-Bi-Wire and JTAG. When the TEST/SBWTCK pin is high, wake-up times from LPM2, LPM3, and LPM4 may be different compared to when TEST/SBWTCK is low. Pay careful attention to the real-time behavior when exiting from LPM2, LPM3, and LPM4 with the device connected to a development tool.

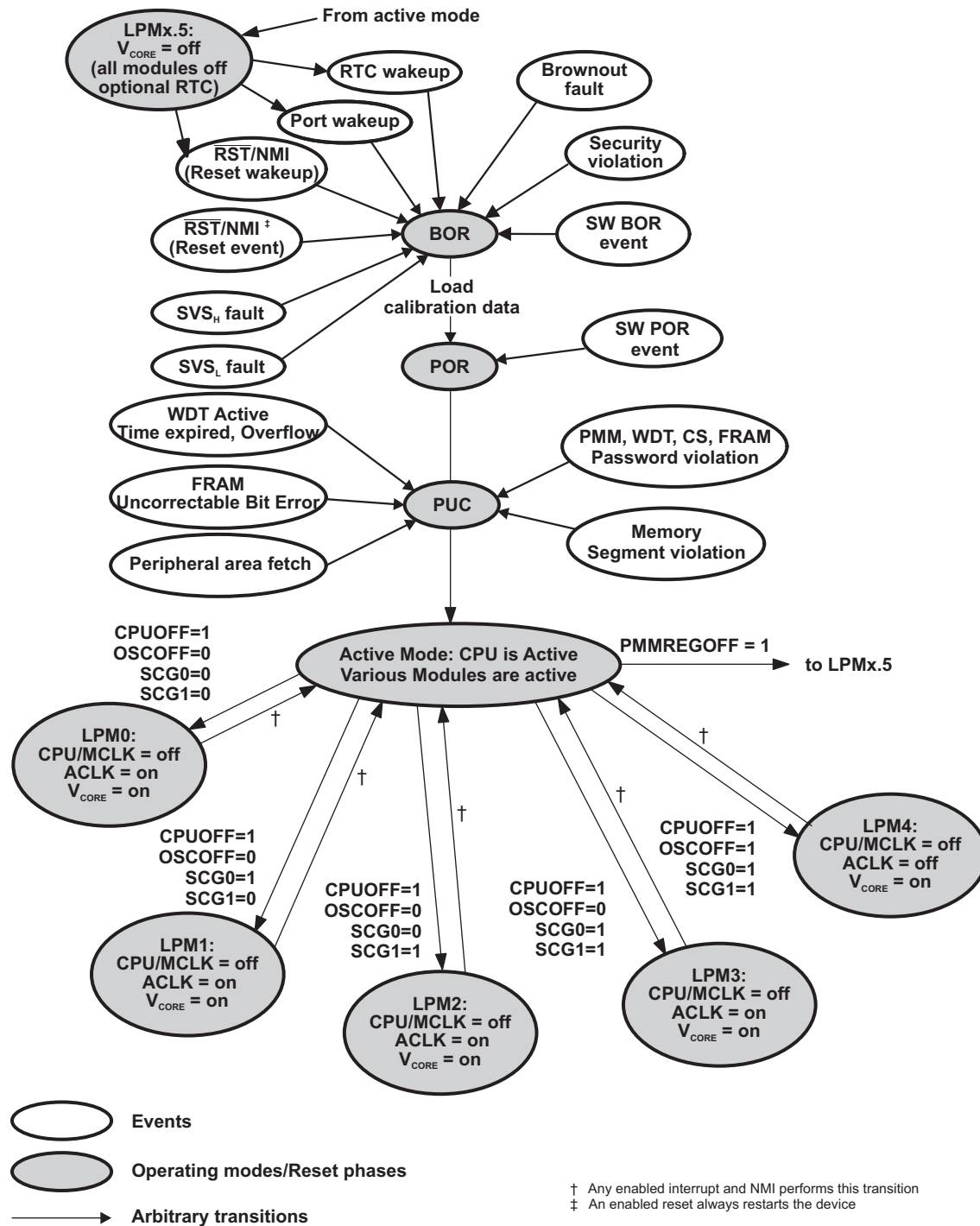


Figure 1-5. Operation Modes

Table 1-2. Operation Modes

SCG1 ⁽¹⁾	SCG0	OSCOFF ⁽¹⁾	CPUOFF ⁽¹⁾	Mode	CPU and Clocks Status ⁽²⁾
0	0	0	0	Active	CPU, MCLK are active. ACLK is active. SMCLK optionally active (SMCLKOFF = 0). DCO is enabled if sources ACLK, MCLK, or SMCLK (SMCLKOFF = 0). DCO bias is enabled if DCO is enabled or DCO sources MCLK or SMCLK (SMCLKOFF = 0).
0	0	0	1	LPM0	CPU, MCLK are disabled. ACLK is active. SMCLK optionally active (SMCLKOFF = 0). DCO is enabled if sources ACLK or SMCLK (SMCLKOFF = 0). DCO bias is enabled if DCO is enabled or DCO sources MCLK or SMCLK (SMCLKOFF = 0).
0	1	0	1	LPM1	CPU, MCLK are disabled. ACLK is active. SMCLK optionally active (SMCLKOFF = 0). DCO is enabled if sources ACLK or SMCLK (SMCLKOFF = 0). DCO bias is enabled if DCO is enabled or DCO sources MCLK or SMCLK (SMCLKOFF = 0).
1	0	0	1	LPM2	CPU, MCLK are disabled. ACLK is active. SMCLK is disabled. DCO is enabled if sources ACLK.
1	1	0	1	LPM3	CPU, MCLK are disabled. ACLK is active. SMCLK is disabled.
1	1	1	1	LPM4	CPU and all clocks are disabled.
1	1	1	1	LPM3.5	When PMMREGOFF = 1, regulator is disabled. No memory retention. In this mode, RTC operation is possible when configured properly. See the <i>RTC</i> module for further details.
1	1	1	1	LPM4.5	When PMMREGOFF = 1, regulator is disabled. No memory retention. In this mode, all clock sources are disabled; that is, no RTC operation is possible.

⁽¹⁾ This bit is automatically reset when exiting low-power modes. See [Section 1.4.2](#) for details.

⁽²⁾ The low-power modes and, hence, the system clocks can be affected by the clock request system. See the [Clock System](#) chapter for details.

1.4.1 Low-Power Modes and Clock Requests

A peripheral module requests its clock sources automatically from the clock system (CS) module if it is required for its proper operation, regardless of the current power mode of operation. Refer to the "Operation From Low-Power Modes, Requested by Peripheral Modules" section in the [Clock System](#) chapter.

Because of the clock request mechanism the system might not reach the low-power modes requested by the bits set in the CPU's status register SR as listed in [Table 1-3](#).

Table 1-3. Requested vs Actual LPM

Requested LPM (SR Bits according to Table 1-2)	Actual LPM...		
	If No Clock Requested	If Only ACLK Requested	If SMCLK Requested
LPM0	LPM0	LPM0	LPM0
LPM1	LPM1	LPM1	LPM1
LPM2	LPM2	LPM2	LPM0
LPM3	LPM3	LPM3	LPM1
LPM4	LPM4	LPM3	LPM1

1.4.2 Entering and Exiting Low-Power Modes LPM0 Through LPM4

An enabled interrupt event wakes the device from low-power operating modes LPM0 through LPM4. The program flow for exiting LPM0 through LPM4 is:

- Enter interrupt service routine
 - The PC and SR are stored on the stack.
 - The CPUOFF, SCG1, and OSCOFF bits are automatically reset.
- Options for returning from the interrupt service routine
 - The original SR is popped from the stack, restoring the previous operating mode.
 - The SR bits stored on the stack can be modified within the interrupt service routine returning to a different operating mode when the RETI instruction is executed.

```

; Enter LPM0 Example
  BIS   #GIE+CPUOFF,SR           ; Enter LPM0
; ...                             ; Program stops here
;
; Exit LPM0 Interrupt Service Routine
  BIC   #CPUOFF,0(SP)           ; Exit LPM0 on RETI
  RETI

; Enter LPM3 Example
  BIS   #GIE+CPUOFF+SCG1+SCG0,SR ; Enter LPM3
; ...                             ; Program stops here
;
; Exit LPM3 Interrupt Service Routine
  BIC   #CPUOFF+SCG1+SCG0,0(SP) ; Exit LPM3 on RETI
  RETI

; Enter LPM4 Example
  BIS   #GIE+CPUOFF+OSCOFF+SCG1+SCG0,SR ; Enter LPM4
; ...                             ; Program stops here
;
; Exit LPM4 Interrupt Service Routine
  BIC   #CPUOFF+OSCOFF+SCG1+SCG0,0(SP) ; Exit LPM4 on RETI
  RETI
  
```

1.4.3 Entering and Exiting Low-Power Modes LPMx.5

LPMx.5 entry and exit is handled differently than the other low power modes. LPMx.5, when used properly, gives the lowest power consumption available on a device. To achieve this, entry to LPMx.5 disables the LDO of the PMM module, which removes the supply voltage from the core of the device. Because the supply voltage is removed from the core, all register contents and SRAM contents are lost. Exit from LPMx.5 causes a BOR event, which forces a complete reset of the system. Therefore, it is the application's responsibility to properly reconfigure the device upon exit from LPMx.5.

The wake-up time from LPMx.5 is significantly longer than the wake-up time from the other power modes (see the device-specific data sheet). This is primarily because, on exit from LPMx.5, time is required for the core voltage supply to be regenerated and for boot code execution to complete before the application code can begin. Therefore, the use of LPMx.5 is restricted to very low duty cycle events.

There are two LPMx.5 power modes, LPM3.5 and LPM4.5. LPM4.5 allows for the lowest power consumption available. No clock sources are active during LPM4.5. LPM3.5 is similar to LPM4.5, but has the additional capability of having a RTC mode available. In addition to the wakeup events possible in LPM4.5, RTC wakeup events are also possible in LPM3.5.

Compute Through Power Loss (CTPL) is a utility API set that leverages FRAM to enable ease of use with LPMx.5 low-power modes and provides a powerful shutdown mode that allows an application to save and restore critical system components when a power loss is detected. Visit [FRAM embedded software utilities for MSP ultra-low-power microcontrollers](#) for details.

The program flow for entering LPMx.5 is:

1. Configure I/O appropriately. See the [Digital I/O](#) chapter for complete details on configuring I/O for LPMx.5.
 1. Set all ports to general-purpose I/O.
 2. Configure each port to make sure that there are no floating inputs, based on the application requirements.
 3. If wakeup from I/O is desired, appropriately configure input ports with interrupt capability.
2. If LPM3.5 is available and desired, enable RTC operation. In addition, configure any RTC interrupts if desired for LPM3.5 wakeup event. See the [RTC](#) chapter for complete details.
3. Enter LPMx.5. The following code example shows how to enter LPMx.5 mode. See the [PMM and SVS](#) chapter for further details.

```

; Enter LPMx.5 Example
MOV.B #PMPW_H, &PMMCTL0_H           ; Open PMM registers for write
BIS.B #PMMREGOFF, &PMMCTL0_L       ;
BIS #GIE+CPUOFF+OSCOFF+SCG1+SCG0,SR ; Enter LPMx.5 when PMMREGOFF is set.

```

Exit from LPMx.5 is possible with a $\overline{\text{RST}}$ event, a power-on cycle, or through specific I/O. Any exit from LPMx.5 causes a BOR. Program execution continues at the location stored in the system reset vector location (0FFFEh) after execution of the boot code. The PMMLPM5IFG bit inside the PMM module is set, indicating that the device was in LPMx.5 prior to the wakeup event. Additionally, SYSRSTIV = 08h, which can be used to generate an efficient reset handler routine. During LPMx.5, all I/O pin conditions are automatically locked to the current state. Upon exit from LPMx.5, the I/O pin conditions remain locked until the application unlocks them. See the [Digital I/O](#) chapter for complete details. If LPM3.5 was in effect, RTC operation continues uninterrupted upon wakeup. The program flow for exiting LPMx.5 is:

1. Enter system reset service routine
 1. Reconfigure system as required for the application.
 2. Reconfigure I/O as required for the application.
 3. Unlock system by clearing LOCKLPM5 bit in PM5CTL0.

1.5 Principles for Low-Power Applications

Often, the most important factor for reducing power consumption is using the device clock system to maximize the time in LPM3 or LPM4 modes whenever possible.

- Use interrupts to wake the processor and control program flow.
- Peripherals should be switched on only when needed.
- Use low-power integrated peripheral modules in place of software driven functions. For example, Timer_A and Timer_B can automatically generate PWM and capture external timing with no CPU resources.
- Calculated branching and fast table lookups should be used in place of flag polling and long software calculations.
- Avoid frequent subroutine and function calls due to overhead.
- For longer software routines, single-cycle CPU registers should be used.

If the application has low duty cycle and slow response time events, maximizing time in LPMx.5 can further reduce power consumption significantly.

1.6 Connection of Unused Pins

The correct termination of all unused pins is listed in [Table 1-4](#).

Table 1-4. Connection of Unused Pins⁽¹⁾

Pin	Potential	Comment
AVCC	DV _{CC}	

⁽¹⁾ Any unused pin with a secondary function that is shared with general-purpose I/O should follow the Px.0 to Px.7 unused pin connection guidelines.

Table 1-4. Connection of Unused Pins⁽¹⁾ (continued)

Pin	Potential	Comment
AVSS	DV _{SS}	
Px.0 to Px.7	Open	Switched to port function, output direction (PxDIR.n = 1)
$\overline{\text{RST}}/\text{NMI}$	DV _{CC} or V _{CC}	47-k Ω pullup or internal pullup selected with 2.2-nF (10-nF ⁽²⁾) pulldown
PJ.0/TDO PJ.1/TDI PJ.2/TMS PJ.3/TCK	Open	The JTAG pins are shared with general-purpose I/O function (PJ.x). If not being used, these should be switched to port function, output direction. When used as JTAG pins, these pins should remain open.
TEST	Open	This pin always has an internal pulldown enabled.

⁽²⁾ The pulldown capacitor should not exceed 2.2 nF when using devices in Spy-Bi-Wire mode or in 4-wire JTAG mode with TI tools like FET interfaces or GANG programmers. If JTAG or Spy-Bi-Wire access is not needed, up to a 10-nF pulldown capacitor may be used.

1.7 Reset Pin ($\overline{\text{RST}}/\text{NMI}$) Configuration

The reset pin can be configured as a reset function (default) or as an NMI function through the Special Function Register (SFR), SFRRPCR. Setting SYSNMI causes the $\overline{\text{RST}}/\text{NMI}$ pin to be configured as an external NMI source. The external NMI is edge sensitive and its edge is selectable by SYSNMIIES. Setting the NMIIE enables the interrupt of the external NMI. Upon an external NMI event, the NMIIFG is set.

The $\overline{\text{RST}}/\text{NMI}$ pin can have either a pullup or pulldown present or not. SYSRSTUP selects either pullup or pulldown, and SYSRSTRE causes the pullup or pulldown to be enabled or not. If the $\overline{\text{RST}}/\text{NMI}$ pin is unused, it is required to have either the internal pullup selected and enabled or an external resistor connected to the $\overline{\text{RST}}/\text{NMI}$ pin as shown in [Table 1-4](#).

1.8 Configuring JTAG Pins

The JTAG pins are shared with general-purpose I/O pins. After a BOR, the SYSJTAGPIN bit in the SYSCTL register is cleared. With SYSJTAGPIN cleared, the pins with JTAG functionality are configured as general-purpose I/O. In this case only a special sequences on the TEST and $\overline{\text{RST}}/\text{NMI}$ pins enables the JTAG functionality. As long as the TEST pin is pulled to DVCC, the pins remain in their JTAG functionality. If the TEST pin is released to DVSS, the shared JTAG pins revert to general-purpose I/Os.

If SYSJTAGPIN = 1, the JTAG pins are permanently configured to 4-wire JTAG mode and remain in this mode until another BOR occurs. Use this feature early in your software if the MSP430 is part of a JTAG chain. Note, that this also disables the Spy-Bi-Wire mode.

The SYSJTAGPIN is a write only once function. Clearing it by software is not possible.

1.9 Vacant Memory Space

Vacant memory is nonexistent memory space. Accesses to vacant memory space generate a system (non)maskable interrupt (SNMI) when enabled (VMAIE = 1). Reads from vacant memory results in the value 3FFFh. In the case of a fetch, this is taken as JMP \$. Fetch accesses from vacant peripheral space result in a PUC. After the boot code is executed, the boot code memory behaves like vacant memory space and causes an NMI on access.

1.10 Boot Code

The boot code loads factory stored calibration values of the oscillator and reference voltages. In addition, it checks for a bootloader (BSL) entry sequence. The boot code is always executed after a BOR.

1.11 Bootloader (BSL)

The BSL is software that is executed after start-up when a certain BSL entry condition is applied. The BSL lets the user communicate with the embedded memory in the microcontroller during the prototyping phase, final production, and in service. All memory mapped resources, the programmable memory, the data memory (RAM), and the peripherals, can be modified by the BSL as required.

A basic BSL program is provided by TI and resides in ROM at memory space 01000h through 017FFh. The BSL supports the commonly used UART protocol with RS232 interfacing, allowing flexible use of both hardware and software. Depending on the device, additional BSL communication interfaces are supported. For details of the available and configured BSL communication interfaces, see [Section 1.14.3.4](#).

To use the BSL, a specific BSL entry sequence must be applied to the $\overline{\text{RST}}$ /NMI and TEST pins. A correct entry sequence causes SYSBSLIND to be set. An added sequence of commands initiates the desired function. A bootloader session can be exited by continuing operation at a defined user program address or by applying the standard reset sequence. Access to the device memory through the BSL is protected against misuse by a user-defined password.

Two BSL signatures, BSL Signature 1 (memory location 0FF84h) and BSL Signature 2 (memory location 0FF86h) reside in FRAM and can be used to control the behavior of the BSL. Writing 05555h to BSL Signature 1 or BSL Signature 2 disables the BSL function and any access to the BSL memory space causes a vacant memory access as described in [Section 1.9](#). Most BSL commands require the BSL to be unlocked by a user-defined password. An incorrect password erases the device memory as a security feature. Writing 0AAAAh to both BSL Signature 1 and BSL Signature 2 disables this security feature. This causes a password error to be returned by the BSL, but the device memory is not erased. In this case, unlimited password attempts are possible.

For more details, see the [MSP430FR57xx](#), [MSP430FR58xx](#), [MSP430FR59xx](#), [MSP430FR68xx](#), and [MSP430FR69xx Bootloader \(BSL\) User's Guide](#).

Some JTAG commands are still possible after the device is secured, including the BYPASS command (see IEEE Std 1149-2001) and the JMB_EXCHANGE command, which allows access to the JTAG Mailbox System (see [Section 1.12](#) for details).

1.12 JTAG Mailbox (JMB) System

The SYS module provides the capability to exchange user data through the regular JTAG test/debug interface. The idea behind the JMB is to have a direct interface to the CPU during debugging, programming, and test that is identical for all devices of this family and uses only few or no user application resources. The JTAG interface was chosen because it is available on all devices and is a dedicated resource for debugging, programming, and test.

Applications of the JMB are:

- Providing entry password for device lock or unlock protection
- Run-time data exchange (RTDX)

1.12.1 JMB Configuration

The JMB supports two transfer modes: 16-bit and 32-bit. Setting JMBMODE enables 32-bit transfer mode. Clearing JMBMODE enables 16-bit transfer mode.

1.12.2 JMBOUT0 and JMBOUT1 Outgoing Mailbox

Two 16-bit registers are available for outgoing messages to the JTAG port. JMBOUT0 is only used when using 16-bit transfer mode (JMBMODE = 0). JMBOUT1 is used in addition to JMBOUT0 when using 32-bit transfer mode (JMBMODE = 1). When the application wishes to send a message to the JTAG port, it writes data to JMBOUT0 for 16-bit mode, or JMBOUT0 and JMBOUT1 for 32-bit mode.

JMBOUT0FG and JMBOUT1FG are read only flags that indicate the status of JMBOUT0 and JMBOUT1, respectively. When JMBOUT0FG is set, JMBOUT0 has been read by the JTAG port and is ready to receive new data. When JMBOUT0FG is reset, the JMBOUT0 is not ready to receive new data. JMBOUT1FG behaves similarly.

1.12.3 JMBIN0 and JMBIN1 Incoming Mailbox

Two 16-bit registers are available for incoming messages from the JTAG port. Only JMBIN0 is used when in 16-bit transfer mode (JMBMODE = 0). JMBIN1 is used in addition to JMBIN0 when using 32-bit transfer mode (JMBMODE = 1). When the JTAG port wishes to send a message to the application, it writes data to JMBIN0 for 16-bit mode, or JMBIN0 and JMBIN1 for 32-bit mode.

JMBIN0FG and JMBIN1FG are flags that indicate the status of JMBIN0 and JMBIN1, respectively. When JMBIN0FG is set, JMBIN0 has data that is available for reading. When JMBIN0FG is reset, no new data is available in JMBIN0. JMBIN1FG behaves similarly.

JMBIN0FG and JMBIN1FG can be configured to clear automatically by clearing JMBCLR0OFF and JMBCLR1OFF, respectively. Otherwise, these flags must be cleared by software.

1.12.4 JMB NMI Usage

The JMB handshake mechanism can be configured to use interrupts to avoid unnecessary polling if desired. In 16-bit mode, JMBOUTIFG is set when JMBOUT0 has been read by the JTAG port and is ready to receive data. In 32-bit mode, JMBOUTIFG is set when both JMBOUT0 and JMBOUT1 has been read by the JTAG port and are ready to receive data. If JMBOUTIE is set, these events cause a system NMI. In 16-bit mode, JMBOUTIFG is cleared automatically when data is written to JMBOUT0. In 32-bit mode, JMBOUTIFG is cleared automatically when data is written to both JMBOUT0 and JMBOUT1. In addition, the JMBOUTIFG can be cleared when reading SYSSNIV. Clearing JMBOUTIE disables the NMI interrupt.

In 16-bit mode, JMBINIFG is set when JMBIN0 is available for reading. In 32-bit mode, JMBINIFG is set when both JMBIN0 and JMBIN1 are available for reading. If JMBOUTIE is set, these events cause a system NMI. In 16-bit mode, JMBINIFG is cleared automatically when JMBIN0 is read. In 32-bit mode, JMBINIFG is cleared automatically when both JMBIN0 and JMBIN1 are read. In addition, the JMBINIFG can be cleared when reading SYSSNIV. Clearing JMBINIE disables the NMI interrupt.

1.13 JTAG and SBW Lock Mechanism Using the Electronic Fuse

A device can be protected from unauthorized access by restricting accessibility of JTAG commands that can be transferred to the device by the JTAG and SBW interface. This is achieved by programming the electronic fuse. When the device is protected, the JTAG and SBW interface still remains functional, but JTAG commands that give direct access into the device are completely disabled. There are two ways to lock the device. Both of these require the programming of two signatures that reside in FRAM. JTAG Signature 1 (memory location 0FF80h) and JTAG Signature 2 (memory location 0FF82h) control the behavior of the device locking mechanism.

NOTE: When a device has been protected, Texas Instruments cannot access the device for a customer return. Access is only possible if a BSL is provided with its corresponding key or an unlock mechanism is provided by the customer.

1.13.1 JTAG and SBW Lock Without Password

A device can be locked by writing 05555h to both JTAG Signature 1 and JTAG Signature 2. In this case, the JTAG and SBW interfaces grant access to a limited JTAG command set that restricts accessibility into the device. The only way to unlock the device in this case is to use the BSL to overwrite the JTAG signatures with anything other than 05555h or 0AAAAh. Some JTAG commands are still possible after the device is secured, including the BYPASS command (see IEEE1149-2001 Standard) and the JMB_EXCHANGE command, which allows access to the JTAG Mailbox System (see [Section 1.12](#) for details).

NOTE: Signatures that have been entered do not take effect until the next BOR event has occurred, at which time the signatures are checked.

1.13.2 JTAG and SBW Lock With Password

A device can also be locked by writing 0AAAAh to JTAG Signature 1 and writing JTAG Signature 2 with any value except 05555h. In this case, JTAG and SBW interfaces grant access to a limited JTAG command set that restricts accessibility into the device as in [Section 1.13.1](#), but an additional mechanism is available that can unlock the device with a user-defined password. In this case, JTAG Signature 2 represents a user-defined length in words of the user defined password. For example, a password length of four words would require writing 0004h to JTAG Signature 2. The starting location of the password is fixed at location 0FF88h. As an example, for a password of length 4, the password memory locations would reside at 0FF88h, 0FF8Ah, 0FF8Ch, and 0FF8Eh.

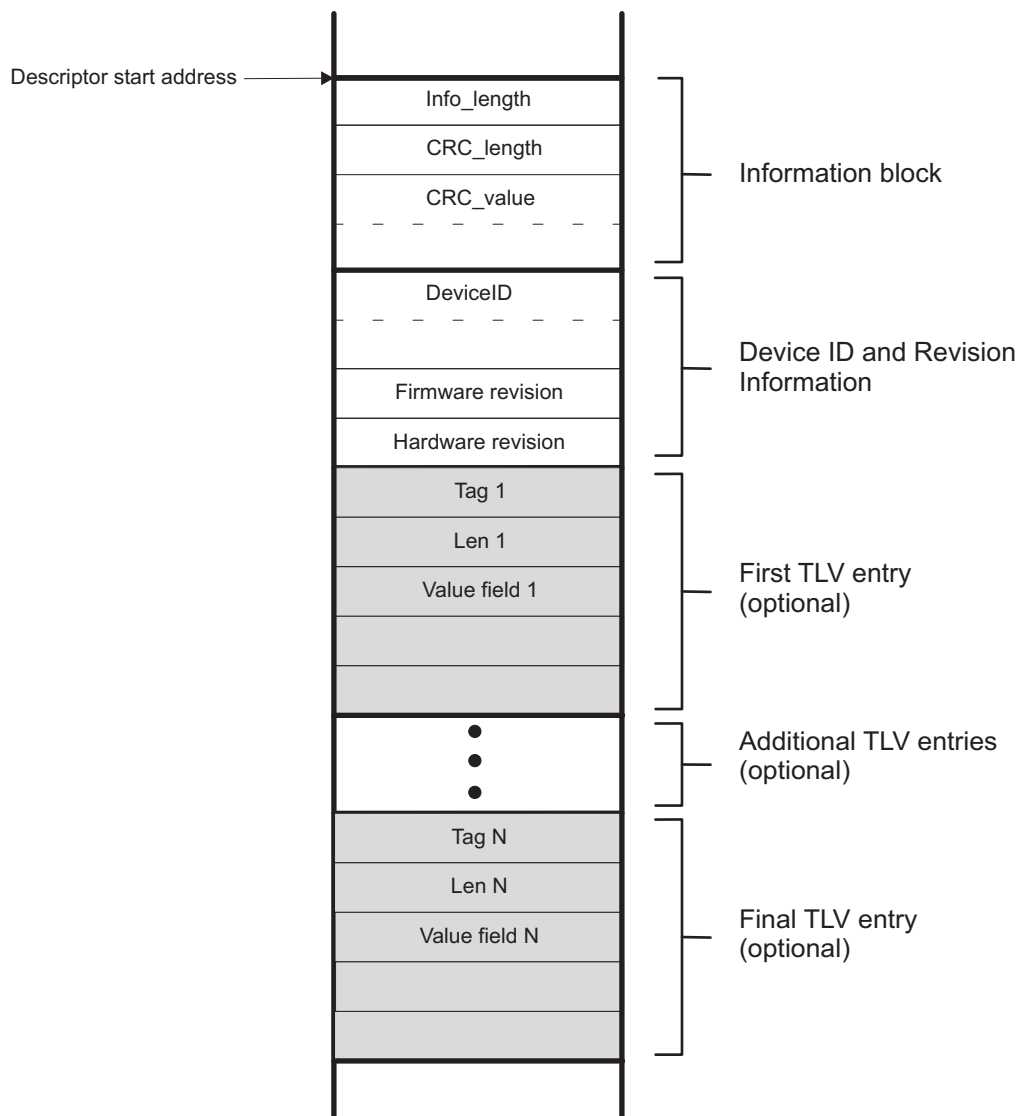
The password is not checked after each BOR; it is checked only if a specific signature is present in the JTAG incoming mailbox. If the JTAG incoming mailbox contains 0A55Ah and 01E1Eh in JMBIN0 and JMBIN1, respectively, the device is expecting a password to be applied. The entered password is compared to the password that is stored in the device password memory locations. If they match, the device unlocks the JTAG and SBW to the complete JTAG command set until the next BOR event occurs.

NOTE: Memory locations 0FF80h through 0FFFFh may also be used for interrupt vector address locations (see the device-specific data sheet). Therefore, if using the password mechanism for JTAG and SBW lock, which uses address locations 0FF88h and higher, these locations may also have interrupt vector addresses assigned to them. Therefore, the same values assigned for any interrupt vector addresses must also be used as password values.

NOTE: Signatures that have been entered do not take effect until the next BOR event has occurred, at which time the signatures are checked. For example, entering a correct password that grants entry into the device followed by an incorrect password without a BOR sequence may still grant access to the device.

1.14 Device Descriptor Table

Each device provides a data structure in memory that allows an unambiguous identification of the device. The validity of the device descriptor can be verified by cyclic redundancy check (CRC). [Figure 1-6](#) shows the logical order and structure of the device descriptor table. The complete device descriptor table and its contents can be found in the device-specific data sheet.


Figure 1-6. Devices Descriptor Table

1.14.1 Identifying Device Type

The value read at address 00FF0h identifies the family branch of the device. All values starting with 80h indicate a hierarchical structure consisting of the information block and a TLV tag-length-value (TLV) structure containing the various descriptors. Any other value than 80h read at address location 00FF0h indicates the device is of an older family and contains a flat descriptor beginning at location 0FF0h. The information block (see [Figure 1-6](#)) contains the device ID, die revisions, firmware revisions, and other manufacturer and tool related information.

The length of the descriptors represented by Info_length is computed as shown in [Equation 1](#):

$$\text{Length} = 2^{\text{Info_length}} \text{ in 32-bit words} \quad (1)$$

For example, if Info_length = 5, then the length of the descriptors equals 128 bytes.

1.14.2 TLV Descriptors

The TLV descriptors follow the information block. Because the information block is always a fixed length, the start location of the TLV descriptors is fixed for a given device family. For the MSP430FR57xx family, this location is 01A08h. See the device-specific data sheet for the complete TLV structure and what descriptors are available.

The TLV descriptors are unique to their respective TLV block and are always followed by the descriptor block length.

Each TLV descriptor contains a tag field that identifies the descriptor type. [Table 1-5](#) shows the currently supported tags.

Table 1-5. Tag Values

Short Name	Value	Description
LDTAG	01h	Legacy descriptor (1xx, 2xx, 4xx families)
PDTAG	02h	Peripheral discovery descriptor
Reserved	03h	Reserved for future use
Reserved	04h	Reserved for future use
BLANK	05h	Blank descriptor
Reserved	06h	Reserved for future use
Reserved	07h	Reserved for future use
Reserved	08h	Unique Die Record
Reserved	09h-0Fh	Reserved for future use
Reserved	10h	Reserved
Reserved	11h	Reserved
REFCAL	12h	REF calibration (see Section 1.14.3.1)
ADC10CAL	13h	ADC10 calibration (see Section 1.14.3.2 and Section 1.14.3.3)
Reserved	14h	Reserved for future use
Reserved	15h	Reserved
Reserved	16h-1Bh	Reserved for future use
BSLTAG	1Ch	BSL Configuration
Reserved	1Dh-FDh	Reserved for future use
TAGEXT	FEh	Tag extender

Each tag field is unique to its respective descriptor and is always followed by a length field. The length field is one byte if the tag value is 01h through 0FDh and represents the length of the descriptor in bytes. If the tag value equals 0FEh (TAGEXT), the next byte extends the tag values, and the following two bytes represent the length of the descriptor in bytes. In this way, a user can search through the TLV descriptor table for a particular tag value, using a routine similar to the following pseudo code:

```
// Identify the descriptor ID (d_ID_value) for the TLV descriptor of interest:
descriptor_address = TLV_START address;

while ( value at descriptor_address != d_ID_value && descriptor_address != TLV_TAGEND &&
descriptor_address < TLV_END)
{
    // Point to next descriptor
    descriptor_address = descriptor_address + (length of the current TLV block) + 2;
}

if (value at descriptor_address == d_ID_value) {
    // Appropriate TLV descriptor has been found!
    Return length of descriptor & descriptor_address as the location of the TLV descriptor
} else {
    // No TLV descriptor found with a matching d_ID_value
    Return a failing condition
}
```

1.14.3 Calibration Values

The TLV structure contains calibration values that can be used to improve the measurement capability of various functions. The calibration values available on a given device are shown in the TLV structure of the device-specific data sheet.

1.14.3.1 REF Calibration

Table 1-6 shows the REF calibration tags.

Table 1-6. REF Calibration Tags

REF Calibration	TAG	12h
	Length	06h
	Low Byte	CAL_ADC_15VREF_FACTOR
	High Byte	
	Low Byte	CAL_ADC_20VREF_FACTOR
	High Byte	
	Low Byte	CAL_ADC_25VREF_FACTOR
	High Byte	

The calibration data for the REF module consists of three words, one word for each reference voltage available (1.5 V, 2.0 V, and 2.5 V). The reference voltages are measured at room temperature. The measured values are normalized by 1.5 V, 2.0 V, or 2.5 V before being stored into the TLV structure, as shown in Equation 2:

$$CAL_ADC_15VREF_FACTOR = \frac{V_{REF+}}{1.5V} \times 2^{15}$$

$$CAL_ADC_20VREF_FACTOR = \frac{V_{REF+}}{2.0V} \times 2^{15}$$

$$CAL_ADC_25VREF_FACTOR = \frac{V_{REF+}}{2.5V} \times 2^{15} \quad (2)$$

In this way, a conversion result is corrected by multiplying it with the CAL_15VREF_FACTOR (or CAL_20VREF_FACTOR, CAL_25VREF_FACTOR) and dividing the result by 2^{15} as shown in Equation 3 for each of the respective reference voltages:

$$ADC(\text{corrected}) = ADC(\text{raw}) \times CAL_ADC15VREF_FACTOR \times \frac{1}{2^{15}}$$

$$ADC(\text{corrected}) = ADC(\text{raw}) \times CAL_ADC20VREF_FACTOR \times \frac{1}{2^{15}}$$

$$ADC(\text{corrected}) = ADC(\text{raw}) \times CAL_ADC25VREF_FACTOR \times \frac{1}{2^{15}} \quad (3)$$

In the following example, the integrated 1.5-V reference voltage is used during a conversion.

- Conversion result: 0x0100 = 256 decimal
- Reference voltage calibration factor (CAL_15VREF_FACTOR) : 0x7BBB

The following steps show how the ADC conversion result can be corrected:

- Multiply the conversion result by 2 (this step simplifies the final division): 0x0100 x 0x0002 = 0x0200
- Multiply the result by CAL_15VREF_FACTOR: 0x200 x 0x7FEE = 0x00F7_7600
- Divide the result by 2^{16} : 0x00F7_7600 / 0x0001_0000 = 0x0000_00F7 = 247 decimal

1.14.3.2 ADC Offset and Gain Calibration

Table 1-7 shows the ADC calibration tags.

Table 1-7. ADC Calibration Tags

ADC Calibration	TAG	ADC10: 13h
	Length	10h
	Low Byte	CAL_ADC_GAIN_FACTOR
	High Byte	
	Low Byte	CAL_ADC_OFFSET
	High Byte	
	Low Byte	CAL_ADC_15T30
	High Byte	
	Low Byte	CAL_ADC_15T85
	High Byte	
	Low Byte	CAL_ADC_20T30
	High Byte	
	Low Byte	CAL_ADC_20T85
	High Byte	
	Low Byte	CAL_ADC_25T30
	High Byte	
	Low Byte	CAL_ADC_25T85
	High Byte	

The offset of the ADC at room temperature is determined and stored as a two's-complement number in the TLV structure. The offset error correction is done by adding the CAL_ADC_OFFSET to the conversion result.

$$ADC(\text{offset_corrected}) = ADC(\text{raw}) + CAL_ADC_OFFSET \quad (4)$$

The gain of the ADC at room temperature is calculated by Equation 5:

$$CAL_ADC_GAIN_FACTOR = \frac{1}{GAIN} \times 2^{15} \quad (5)$$

The conversion result is gain corrected by multiplying it with the CAL_ADC_GAIN_FACTOR and dividing the result by 2^{15} :

$$ADC(\text{gain_corrected}) = ADC(\text{raw}) \times CAL_ADC_GAIN_FACTOR \times \frac{1}{2^{15}} \quad (6)$$

If both gain and offset are corrected, the gain correction is done first:

$$ADC(\text{gain_corrected}) = ADC(\text{raw}) \times CAL_ADC_GAIN_FACTOR \times \frac{1}{2^{15}}$$

$$ADC(\text{final}) = ADC(\text{gain_corrected}) + CAL_ADC_OFFSET \quad (7)$$

1.14.3.3 Temperature Sensor Calibration

The temperature sensor calibration data is part of the ADC tag as shown in Table 1-7.

The temperature sensor is calibrated using the internal voltage references. Each reference voltage (1.5 V, 2.0 V, or 2.5 V) contains a measured value for two temperatures ($30^{\circ}\text{C} \pm 3^{\circ}\text{C}$ and $85^{\circ}\text{C} \pm 3^{\circ}\text{C}$) and are stored in the TLV structure. The characteristic equation of the temperature sensor voltage, in millivolts is:

$$V_{SENSE} = TC_{SENSOR} \times Temp + V_{SENSOR} \quad (8)$$

The temperature coefficient, TC_{SENSOR} in $\text{mV}/^{\circ}\text{C}$, represents the slope of the equation. V_{SENSOR} , in mV , represents the y-intercept of the equation. Temp, in $^{\circ}\text{C}$, is the temperature of interest.

The temperature (Temp, $^{\circ}\text{C}$) can be computed as follows for each of the reference voltages used in the ADC measurement:

$$\text{Temp} = (\text{ADC}(\text{raw}) - \text{CAL_ADC_15T30}) \times \left(\frac{85 - 30}{\text{CAL_ADC_15T85} - \text{CAL_ADC_15T30}} \right) + 30$$

$$\text{Temp} = (\text{ADC}(\text{raw}) - \text{CAL_ADC_20T30}) \times \left(\frac{85 - 30}{\text{CAL_ADC_20T85} - \text{CAL_ADC_20T30}} \right) + 30$$

$$\text{Temp} = (\text{ADC}(\text{raw}) - \text{CAL_ADC_25T30}) \times \left(\frac{85 - 30}{\text{CAL_ADC_25T85} - \text{CAL_ADC_25T30}} \right) + 30 \quad (9)$$

1.14.3.4 BSL Configuration

Table 1-8 shows the tags used for the BSL configuration. The BSL configuration stores the communication interface selection and corresponding communication interface settings. The Tag is optional for devices only providing the basic UART BSL interface. The TAG length field is variable and determined by the length of the configuration option field BSL_CIF_CONFIG. The BSL configuration cannot be changed by the user.

Table 1-8. BSL Configuration Tags

BSL Configuration	TAG	1Ch
	Length	Depends on the BSL_COM_IF value (actual: 02h for UART or I2C)
	Low Byte	BSL_COM_IF
	High Byte	BSL_CIF_CONFIG[0]
	Low Byte	BSL_CIF_CONFIG[1] (optional)
	High Byte	BSL_CIF_CONFIG[2] (optional)
	Low Byte	BSL_CIF_CONFIG[3] (optional)
	High Byte	BSL_CIF_CONFIG[4] (optional)
	⋮	⋮
	⋮	⋮
	High Byte	BSL_CIF_CONFIG[n] (optional)

Table 1-9. BSL_COM_IF Values

BSL_COM_IF	Description	Length
00h	UART interface selected	02h
01h	I2C interface selected	02h
02h to FFh	Reserved for future communication interface	reserved

Table 1-9 shows the defined value for the BSL_COM_IF field. Depending on the selected communication interface, the subsequent bytes in the BSL config tag are interpreted to configure the communication interface. The interpretation is shown in Table 1-10. Unused bytes in BSL_CIF_CONFIG are defined as 00h.

Table 1-10. BSL_CIF_CONFIG Values

BSL_CIF_CONFIG_IF[n]	UART [BSL_COM_IF == 00h]	I2C [BSL_COM_IF == 01h]
0	00h	I2C address (valid values: 0 to 7Fh)
1 to FFh	N/A	N/A

Table 1-10 shows the defined configuration options for the given BSL communication interface.

1.15 SFR Registers

The SFRs are listed in [Table 1-11](#). The base address for the SFRs is 00100h. Many of the bits inside the SFRs are described in other chapters throughout this user's guide. These bits are marked with a note and a reference. See the specific chapter of the respective module for details.

NOTE: All registers have word or byte register access. For a generic register *ANYREG*, the suffix "_L" (*ANYREG_L*) refers to the lower byte of the register (bits 0 through 7). The suffix "_H" (*ANYREG_H*) refers to the upper byte of the register (bits 8 through 15).

Table 1-11. SFR Registers

Offset	Acronym	Register Name	Type	Access	Reset	Section
00h	SFRIE1	Interrupt Enable	Read/write	Word	0000h	Section 1.15.1
00h	SFRIE1_L (IE1)		Read/write	Byte	00h	
01h	SFRIE1_H (IE2)		Read/write	Byte	00h	
02h	SFRIFG1	Interrupt Flag	Read/write	Word	0082h	Section 1.15.2
02h	SFRIFG1_L (IFG1)		Read/write	Byte	82h	
03h	SFRIFG1_H (IFG2)		Read/write	Byte	00h	
04h	SFRRPCR	Reset Pin Control	Read/write	Word	000Ch	Section 1.15.3
04h	SFRRPCR_L		Read/write	Byte	0Ch	
05h	SFRRPCR_H		Read/write	Byte	00h	

1.15.1 SFRIE1 Register

Interrupt Enable Register

Figure 1-7. SFRIE1 Register

15	14	13	12	11	10	9	8
Reserved							
r0	r0	r0	r0	r0	r0	r0	r0
7	6	5	4	3	2	1	0
JMBOUTIE	JMBINIE	Reserved	NMIIE	VMAIE	Reserved	OFIE ⁽¹⁾	WDTIE ⁽²⁾
rw-0	rw-0	r-0	rw-0	rw-0	r0	rw-0	rw-0

⁽¹⁾ See the [Clock System](#) chapter for details.

⁽²⁾ See the [WDT_A](#) chapter for details.

Table 1-12. SFRIE1 Register Description

Bit	Field	Type	Reset	Description
15-8	Reserved	R	0h	Reserved. Always reads as 0.
7	JMBOUTIE	RW	0h	JTAG mailbox output interrupt enable 0b = Interrupts disabled 1b = Interrupts enabled
6	JMBINIE	RW	0h	JTAG mailbox input interrupt enable 0b = Interrupts disabled 1b = Interrupts enabled
5	Reserved	R	0h	Reserved. Always reads as 0.
4	NMIIE	RW	0h	NMI pin interrupt enable 0b = Interrupts disabled 1b = Interrupts enabled
3	VMAIE	RW	0h	Vacant memory access interrupt enable 0b = Interrupts disabled 1b = Interrupts enabled
2	Reserved	R	0h	Reserved. Always reads as 0.
1	OFIE	RW	0h	Oscillator fault interrupt enable 0b = Interrupts disabled 1b = Interrupts enabled
0	WDTIE	RW	0h	Watchdog timer interrupt enable. This bit enables the WDTIFG interrupt for interval timer mode. It is not necessary to set this bit for watchdog mode. Because other bits in SFRIE1 may be used for other modules, it is recommended to set or clear this bit using BIS.B or BIC.B instructions, rather than MOV.B or CLR.B instruction. 0b = Interrupts disabled 1b = Interrupts enabled

1.15.2 SFRIFG1 Register

Interrupt Flag Register

Figure 1-8. SFRIFG1 Register

15	14	13	12	11	10	9	8
Reserved							
r0	r0	r0	r0	r0	r0	r0	r0
7	6	5	4	3	2	1	0
JMBOUTIFG	JMBINIFG	Reserved	NMIIFG	VMAIFG	Reserved	OFIFG ⁽¹⁾	WDTIFG ⁽²⁾
rw-(1)	rw-(0)	r0	rw-0	rw-0	r0	rw-(1)	rw-0

⁽¹⁾ See the [Clock System](#) chapter for details.

⁽²⁾ See the [WDT_A](#) chapter for details.

Table 1-13. SFRIFG1 Register Description

Bit	Field	Type	Reset	Description
15-8	Reserved	R	0h	Reserved. Always reads as 0.
7	JMBOUTIFG	RW	1h	JTAG mailbox output interrupt flag 0b = No interrupt pending. When in 16-bit mode (JMBMODE = 0), this bit is cleared automatically when JMBO0 has been written with a new message to the JTAG module by the CPU. When in 32-bit mode (JMBMODE = 1), this bit is cleared automatically when both JMBO0 and JMBO1 have been written with new messages to the JTAG module by the CPU. This bit is also cleared when the associated vector in SYSUNIV has been read. 1b = Interrupt pending, JMBO registers are ready for new messages. In 16-bit mode (JMBMODE = 0), JMBO0 has been received by the JTAG module and is ready for a new message from the CPU. In 32-bit mode (JMBMODE = 1), JMBO0 and JMBO1 have been received by the JTAG module and are ready for new messages from the CPU.
6	JMBINIFG	RW	0h	JTAG mailbox input interrupt flag 0b = No interrupt pending. When in 16-bit mode (JMBMODE = 0), this bit is cleared automatically when JMBIO is read by the CPU. When in 32-bit mode (JMBMODE = 1), this bit is cleared automatically when both JMBIO and JMBI1 have been read by the CPU. This bit is also cleared when the associated vector in SYSUNIV has been read 1b = Interrupt pending, a message is waiting in the JMBIN registers. In 16-bit mode (JMBMODE = 0) when JMBIO has been written by the JTAG module. In 32-bit mode (JMBMODE = 1) when JMBIO and JMBI1 have been written by the JTAG module.
5	Reserved	R	0h	Reserved. Always reads as 0.
4	NMIIFG	RW	0h	NMI pin interrupt flag 0b = No interrupt pending 1b = Interrupt pending
3	VMAIFG	RW	0h	Vacant memory access interrupt flag 0b = No interrupt pending 1b = Interrupt pending
2	Reserved	R	0h	Reserved. Always reads as 0.
1	OFIFG	RW	1h	Oscillator fault interrupt flag 0b = No interrupt pending 1b = Interrupt pending
0	WDTIFG	RW	0h	Watchdog timer interrupt flag. In watchdog mode, WDTIFG clears itself upon a watchdog timeout event. The SYSRSTIV can be read to determine if the reset was caused by a watchdog timeout event. In interval mode, WDTIFG is reset automatically by servicing the interrupt, or can be reset by software. Because other bits in SFRIFG1 may be used for other modules, it is recommended to set or clear WDTIFG by using BIS.B or BIC.B instructions, rather than MOV.B or CLR.B instructions. 0b = No interrupt pending 1b = Interrupt pending

1.15.3 SFRRPCR Register

Reset Pin Control Register

Figure 1-9. SFRRPCR Register

15	14	13	12	11	10	9	8
Reserved							
r0	r0	r0	r0	r0	r0	r0	r0
7	6	5	4	3	2	1	0
Reserved				SYSRSTRE	SYSRSTUP	SYSNMIIES	SYSNMI
r0	r0	r0	r0	rw-1	rw-1	rw-0	rw-0

Table 1-14. SFRRPCR Register Description

Bit	Field	Type	Reset	Description
15-4	Reserved	R	0h	Reserved. Always reads as 0.
3	SYSRSTRE	RW	1h	Reset pin resistor enable 0b = Pullup or pulldown resistor at the RST/NMI pin is disabled. 1b = Pullup or pulldown resistor at the RST/NMI pin is enabled.
2	SYSRSTUP	RW	1h	Reset resistor pin pullup or pulldown 0b = Pulldown is selected 1b = Pullup is selected
1	SYSNMIIES	RW	0h	NMI edge select. This bit selects the interrupt edge for the NMI when SYSNMI = 1. Modifying this bit can trigger an NMI. Modify this bit when SYSNMI = 0 to avoid triggering an accidental NMI. 0b = NMI on rising edge 1b = NMI on falling edge
0	SYSNMI	RW	0h	NMI select. This bit selects the function for the RST/NMI pin. 0b = Reset function 1b = NMI function

1.16 SYS Registers

The SYS configuration registers are listed in [Table 1-15](#) and the base address is 00180h. A detailed description of each register and its bits is also provided. Each register starts at a word boundary. Either word or byte data can be written to the SYS configuration registers.

NOTE: All registers have word or byte register access. For a generic register *ANYREG*, the suffix "_L" (*ANYREG_L*) refers to the lower byte of the register (bits 0 through 7). The suffix "_H" (*ANYREG_H*) refers to the upper byte of the register (bits 8 through 15).

Table 1-15. SYS Registers

Offset	Acronym	Register Name	Type	Access	Reset	Section
00h	SYSCTL	System Control	Read/write	Word	0000h	Section 1.16.1
00h	SYSCTL_L		Read/write	Byte	00h	
01h	SYSCTL_H		Read/write	Byte	00h	
06h	SYSJMBC	JTAG Mailbox Control	Read/write	Word	000Ch	Section 1.16.2
06h	SYSJMBC_L		Read/write	Byte	0Ch	
07h	SYSJMBC_H		Read/write	Byte	00h	
08h	SYSJMBIO	JTAG Mailbox Input 0	Read/write	Word	0000h	Section 1.16.3
08h	SYSJMBIO_L		Read/write	Byte	00h	
09h	SYSJMBIO_H		Read/write	Byte	00h	
0Ah	SYSJMBI1	JTAG Mailbox Input 1	Read/write	Word	0000h	Section 1.16.4
0Ah	SYSJMBI1_L		Read/write	Byte	00h	
0Bh	SYSJMBI1_H		Read/write	Byte	00h	
0Ch	SYSJMBO0	JTAG Mailbox Output 0	Read/write	Word	0000h	
0Ch	SYSJMBO0_L		Read/write	Byte	00h	
0Dh	SYSJMBO0_H		Read/write	Byte	00h	
0Eh	SYSJMBO1	JTAG Mailbox Output 1	Read/write	Word	0000h	Section 1.16.6
0Eh	SYSJMBO1_L		Read/write	Byte	00h	
0Fh	SYSJMBO1_H		Read/write	Byte	00h	
1Ah	SYSUNIV	User NMI Vector Generator	Read	Word	0000h	Section 1.16.7
1Ch	SYSSNIV	System NMI Vector Generator	Read	Word	0000h	Section 1.16.8
1Eh	SYSRSTIV	Reset Vector Generator	Read	Word	0002h	Section 1.16.9

1.16.1 SYSCTL Register

SYS Control Register

Figure 1-10. SYSCTL Register

15	14	13	12	11	10	9	8
Reserved							
r0	r0	r0	r0	r0	r0	r0	r0
7	6	5	4	3	2	1	0
Reserved		SYSJTAGPIN	SYSBSLIND	Reserved	SYSPMMPE	Reserved	SYSRIVECT
r0	r0	rw-[0]	r-0	r0	rw-[0]	r0	rw-[0]

Table 1-16. SYSCTL Register Description

Bit	Field	Type	Reset	Description
15-8	Reserved	R	0h	Reserved. Always reads as 0.
7-6	Reserved	R	0h	Reserved. Always reads as 0.
5	SYSJTAGPIN	RW	0h	Dedicated JTAG pins enable. Setting this bit disables the shared functionality of the JTAG pins and permanently enables the JTAG function. This bit can only be set once. Once it is set it remains set until a BOR occurs. 0b = Shared JTAG pins (JTAG mode selectable using SBW sequence) 1b = Dedicated JTAG pins (explicit 4-wire JTAG mode selection)
4	SYSBSLIND	R	0h	BSL entry indication. This bit indicates a BSL entry sequence detected on the Spy-Bi-Wire pins. 0b = No BSL entry sequence detected 1b = BSL entry sequence detected
3	Reserved	R	0h	Reserved. Always reads as 0.
2	SYSPMMPE	RW	0h	PMM access protect. This controls the accessibility of the PMM control registers. Once set to 1, it only can be cleared by a BOR. 0b = Access from anywhere in memory 1b = Access only from the BSL segments
1	Reserved	R	0h	Reserved. Always reads as 0.
0	SYSRIVECT	RW	0h	RAM-based interrupt vectors 0b = Interrupt vectors generated with end address TOP of lower 64K FRAM FFFFh 1b = Interrupt vectors generated with end address TOP of RAM, when RAM available. Note: On devices that contain RAM, it is possible to use the RAM as an alternate location for the interrupt vector locations. Setting the SYSRIVECT bit to '1' in SYSCTL causes the interrupt vectors to be remapped to the top of RAM. The total RAM size varies depending on the device configurations and could include one or multiple RAM sections. The alternate location is always the highest address of the entire RAM space available in the device. Note that the SYSRIVECT bit is automatically cleared on a BOR, so the default reset vector location (0FFFFh) will be used after a BOR before setting the SYSRIVECT bit to '1'. On devices with LEA, the highest RAM address may be part of the LEA shared RAM. Care must be taken to avoid address conflicts if LEA is used in this case.

1.16.2 SYSJMBC Register

JTAG Mailbox Control Register

Figure 1-11. SYSJMBC Register

15	14	13	12	11	10	9	8
Reserved							
r0	r0	r0	r0	r0	r0	r0	r0
7	6	5	4	3	2	1	0
JMBCLR1OFF	JMBCLR0OFF	Reserved	JMBMODE	JMBOUT1FG	JMBOUT0FG	JMBIN1FG	JMBIN0FG
rw-(0)	rw-(0)	r0	rw-0	r-(1)	r-(1)	rw-(0)	rw-(0)

Table 1-17. SYSJMBC Register Description

Bit	Field	Type	Reset	Description
15-8	Reserved	R	0h	Reserved. Always reads as 0.
7	JMBCLR1OFF	RW	0h	Incoming JTAG Mailbox 1 flag auto-clear disable 0b = JMBIN1FG cleared on read of JMB1IN register 1b = JMBIN1FG cleared by software
6	JMBCLR0OFF	RW	0h	Incoming JTAG Mailbox 0 flag auto-clear disable 0b = JMBIN0FG cleared on read of JMB0IN register 1b = JMBIN0FG cleared by software
5	Reserved	R	0h	Reserved. Always reads as 0.
4	JMBMODE	RW	0h	This bit defines the operation mode of JMB for JMBI0, JMBI1, JMBO0, and JMBO1. Before switching this bit, pad and flush out any partial content to avoid data drops. 0b = 16-bit transfers using JMBO0 and JMBI0 only 1b = 32-bit transfers using JMBO0 with JMBO1 and JMBI0 with JMBI1
3	JMBOUT1FG	R	1h	Outgoing JTAG Mailbox 1 flag. This bit is cleared automatically when a message is written to the upper byte of JMBO1 or as word access (by the CPU, DMA,...) and is set after the message was read through JTAG. 0b = JMBO1 is not ready to receive new data. 1b = JMBO1 is ready to receive new data.
2	JMBOUT0FG	R	1h	Outgoing JTAG Mailbox 0 flag. This bit is cleared automatically when a message is written to the upper byte of JMBO0 or as word access (by the CPU, DMA,...) and is set after the message was read through JTAG. 0b = JMBO0 is not ready to receive new data. 1b = JMBO0 is ready to receive new data.
1	JMBIN1FG	RW	0h	Incoming JTAG Mailbox 1 flag. This bit is set when a new message (provided through JTAG) is available in JMBI1. This flag is cleared automatically on read of JMBI1 when JMBCLR1OFF = 0 (auto clear mode). On JMBCLR1OFF = 1, JMBIN1FG needs to be cleared by software. 0b = JMBI1 has no new data. 1b = JMBI1 has new data available.
0	JMBIN0FG	RW	0h	Incoming JTAG Mailbox 0 flag. This bit is set when a new message (provided through JTAG) is available in JMBI0. This flag is cleared automatically on read of JMBI0 when JMBCLR0OFF = 0 (auto clear mode). On JMBCLR0OFF = 1, JMBIN0FG needs to be cleared by software. 0b = JMBI0 has no new data. 1b = JMBI0 has new data available.

1.16.3 SYSJMBI0 Register

JTAG Mailbox Input 0 Register

Figure 1-12. SYSJMBI0 Register

15	14	13	12	11	10	9	8
MSGHI							
rw-0	rw-0	rw-0	rw-0	rw-0	rw-0	rw-0	rw-0
7	6	5	4	3	2	1	0
MSGLO							
rw-0	rw-0	rw-0	rw-0	rw-0	rw-0	rw-0	rw-0

Table 1-18. SYSJMBI0 Register Description

Bit	Field	Type	Reset	Description
15-8	MSGHI	RW	0h	JTAG mailbox incoming message high byte
7-0	MSGLO	RW	0h	JTAG mailbox incoming message low byte

1.16.4 SYSJMBI1 Register

JTAG Mailbox Input 1 Register

Figure 1-13. SYSJMBI1 Register

15	14	13	12	11	10	9	8
MSGHI							
rw-0	rw-0	rw-0	rw-0	rw-0	rw-0	rw-0	rw-0
7	6	5	4	3	2	1	0
MSGLO							
rw-0	rw-0	rw-0	rw-0	rw-0	rw-0	rw-0	rw-0

Table 1-19. SYSJMBI1 Register Description

Bit	Field	Type	Reset	Description
15-8	MSGHI	RW	0h	JTAG mailbox incoming message high byte
7-0	MSGLO	RW	0h	JTAG mailbox incoming message low byte

1.16.5 SYSJMBO0 Register

JTAG Mailbox Output 0 Register

Figure 1-14. SYSJMBO0 Register

15	14	13	12	11	10	9	8
MSGHI							
rw-0	rw-0	rw-0	rw-0	rw-0	rw-0	rw-0	rw-0
7	6	5	4	3	2	1	0
MSGLO							
rw-0	rw-0	rw-0	rw-0	rw-0	rw-0	rw-0	rw-0

Table 1-20. SYSJMBO0 Register Description

Bit	Field	Type	Reset	Description
15-8	MSGHI	RW	0h	JTAG mailbox outgoing message high byte
7-0	MSGLO	RW	0h	JTAG mailbox outgoing message low byte

1.16.6 SYSJMBO1 Register

JTAG Mailbox Output 1 Register

Figure 1-15. SYSJMBO1 Register

15	14	13	12	11	10	9	8
MSGHI							
rw-0	rw-0	rw-0	rw-0	rw-0	rw-0	rw-0	rw-0
7	6	5	4	3	2	1	0
MSGLO							
rw-0	rw-0	rw-0	rw-0	rw-0	rw-0	rw-0	rw-0

Table 1-21. SYSJMBO1 Register Description

Bit	Field	Type	Reset	Description
15-8	MSGHI	RW	0h	JTAG mailbox outgoing message high byte
7-0	MSGLO	RW	0h	JTAG mailbox outgoing message low byte

1.16.7 SYSUNIV Register

User NMI Vector Register

Figure 1-16. SYSUNIV Register

15	14	13	12	11	10	9	8
SYSUNIV							
r0	r0	r0	r0	r0	r0	r0	r0
7	6	5	4	3	2	1	0
SYSUNIV							
r0	r0	r0	r-0	r-0	r-0	r-0	r0

Table 1-22. SYSUNIV Register Description

Bit	Field	Type	Reset	Description
15-0	SYSUNIV	R	0h	User NMI vector. Generates a value that can be used as address offset for fast interrupt service routine handling. Writing to this register clears all pending user NMI flags. See the device-specific data sheet for a list of values.

1.16.8 SYSSNIV Register

System NMI Vector Register

Figure 1-17. SYSSNIV Register

15	14	13	12	11	10	9	8
SYSSNIV							
r0	r0	r0	r0	r0	r0	r0	r0
7	6	5	4	3	2	1	0
SYSSNIV							
r0	r0	r0	r-0	r-0	r-0	r-0	r0

Table 1-23. SYSSNIV Register Description

Bit	Field	Type	Reset	Description
15-0	SYSSNIV	R	0h	System NMI vector. Generates a value that can be used as address offset for fast interrupt service routine handling. Writing to this register clears all pending system NMI flags. See the device-specific data sheet for a list of values.

1.16.9 SYSRSTIV Register

Reset Interrupt Vector Register

Figure 1-18. SYSRSTIV Register

15	14	13	12	11	10	9	8
SYSRSTIV							
r0	r0	r0	r0	r0	r0	r0	r0
7	6	5	4	3	2	1	0
SYSRSTIV							
r0	r0	r ⁽¹⁾	r ⁽¹⁾	r ⁽¹⁾	r ⁽¹⁾	r ⁽¹⁾	r0

⁽¹⁾ Reset value depends on reset source.

Table 1-24. SYSRSTIV Register Description

Bit	Field	Type	Reset	Description
15-0	SYSRSTIV	R	02h-03Eh ⁽¹⁾	Reset interrupt vector. Generates a value that can be used as address offset for fast interrupt service routine handling to identify the last cause of a reset (BOR, POR, PUC) . Writing to this register clears all pending reset source flags. See the device-specific data sheet for a list of values.

⁽¹⁾ Reset value depends on reset source.

Power Management Module and Supply Voltage Supervisor

This chapter describes the operation of the Power Management Module (PMM) and Supply Voltage Supervisor (SVS).

Topic	Page
2.1 Power Management Module (PMM) Introduction	62
2.2 PMM Operation	63
2.3 PMM Registers.....	66

2.1 Power Management Module (PMM) Introduction

PMM features include:

- Wide supply voltage (DV_{CC}) range: 2.0 V to 3.6 V
- Generation of voltage for the device core (V_{CORE})
- Supply voltage supervisor (SVS) for DV_{CC} and V_{CORE}
- Brownout reset (BOR)
- Software accessible power-fail indicators
- I/O protection during power-fail condition

The PMM manages all functions related to the power supply and its supervision for the device. Its primary functions are first to generate a supply voltage for the core logic, and second, provide several mechanisms for the supervision of both the voltage applied to the device (DV_{CC}) and the voltage generated for the core (V_{CORE}).

The PMM uses an integrated low-dropout voltage regulator (LDO) to produce a secondary core voltage (V_{CORE}) from the primary one applied to the device (DV_{CC}). In general, V_{CORE} supplies the CPU, memories, and the digital modules, while DV_{CC} supplies the I/Os and analog modules. The V_{CORE} output is maintained using a dedicated voltage reference. The input or primary side of the regulator is referred to in this chapter as its high side. The output or secondary side is referred to in this chapter as its low side.

The block diagram of the PMM is shown in [Figure 2-1](#).

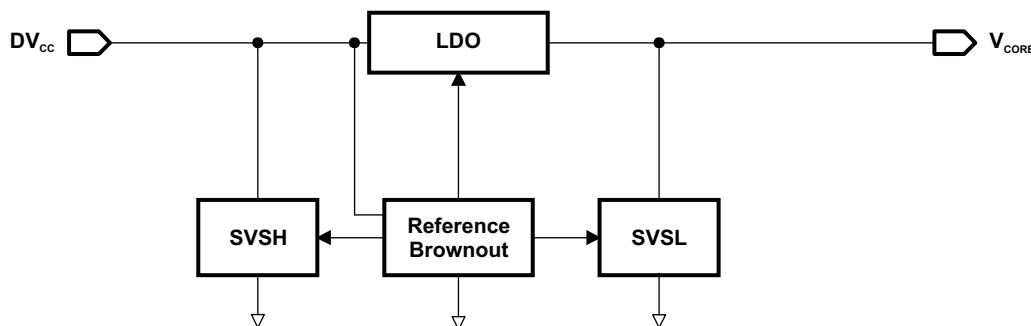


Figure 2-1. PMM Block Diagram

2.2 PMM Operation

2.2.1 V_{CORE} and the Regulator

DV_{CC} can be powered from a wide input voltage range, but the core logic of the device must be kept at a voltage lower than what this range allows. For this reason, a regulator has been integrated into the PMM. The regulator derives the necessary core voltage (V_{CORE}) from DV_{CC} .

The regulator supports two different load settings to optimize power. The high-performance mode is active when:

- The CPU is in active, LPM0, LPM1, or LPM2 modes
- A clock source greater than 100 kHz is used to drive any module
- An interrupt or DMA transfer is executed
- JTAG is active

Otherwise, the low-power mode is used. The hardware controls the load settings automatically, according to the criteria above.

2.2.2 Supply Voltage Supervisor

The high-side supervisor (SVS_H) and the low-side supervisor (SVS_L) oversee DV_{CC} and V_{CORE} , respectively. The high-side supervisor (SVS_H) is always active in all power modes. It can be disabled only in LPM4.5 with $SVSHE = 0$. By default the low-side supervisor (SVS_L) is enabled in active mode, LPM0, LPM1, and LPM2. It can be disabled in LPM1 and LPM2 with $SVSLE = 0$. The SVS_L is always disabled in LPM3, LPM3.5, LPM4, and LPM4.5.

2.2.2.1 SVS Thresholds

As Figure 2-2 shows, there is hysteresis built into the supervision thresholds, such that the thresholds in force depend on whether the voltage rail is going up or down.

The behavior of the SVS according to these thresholds is best portrayed graphically. Figure 2-2 shows how the supervisors respond to various supply failure conditions.

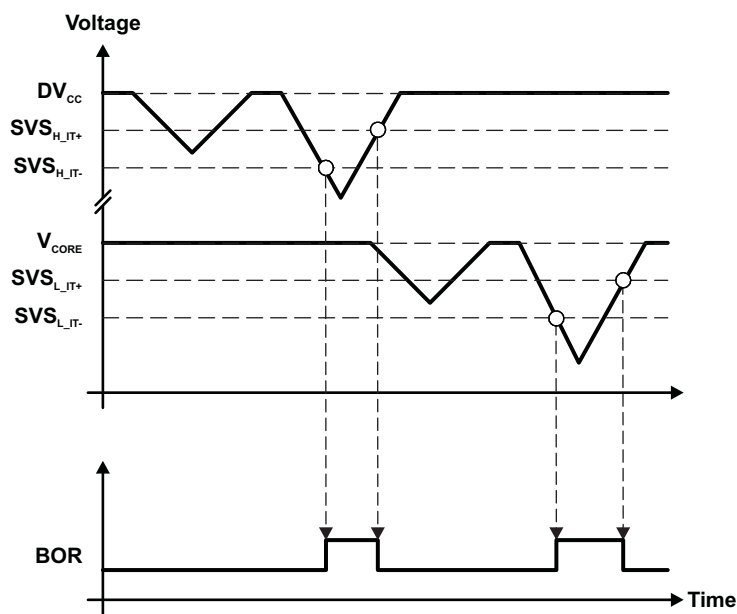


Figure 2-2. High-Side and Low-Side Voltage Failure and Resulting PMM Actions

2.2.3 Supply Voltage Supervisor - Power-Up

When the device is powering up, the SVS_H and SVS_L functions are enabled by default. Initially, DV_{CC} is low, and therefore the PMM holds the device in BOR reset. When both the SVS_H and SVS_L levels are met, the reset is released. Figure 2-3 shows this process.

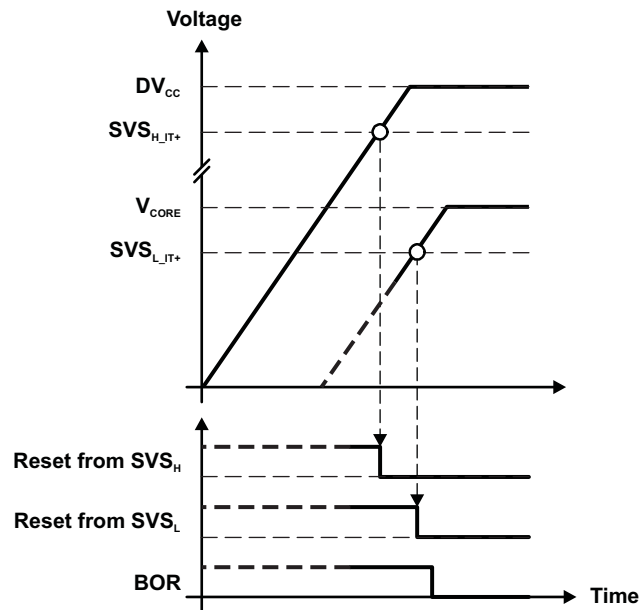


Figure 2-3. PMM Action at Device Power-Up

After power-up is complete, both voltage domains are supervised while the respective modules are enabled.

2.2.4 LPM3.5, LPM4.5

LPM3.5 and LPM4.5 are additional low-power modes in which the regulator of the PMM is completely disabled, providing additional power savings. Because there is no power supplied to V_{CORE} during LPMx.5, the CPU and all digital modules including RAM are unpowered. This disables the entire device and, as a result, the contents of the registers and RAM are lost. Any essential values should be stored to FRAM prior to entering LPMx.5. See the SYS module for complete descriptions and uses of LPMx.5.

2.2.5 Brownout Reset (BOR)

The primary function of the brownout reset (BOR) circuit occurs when the device is powering up. It is functional very early in the power-up ramp, generating a BOR that initializes the system. It also functions when no SVS is enabled and a brownout condition occurs. It sustains this reset until the input power is sufficient for the logic, to enable proper reset of the system.

In an application, it may be desired to cause a BOR via software. Setting $PMMSWBOR$ causes a software-driven BOR. $PMMBORIFG$ is set accordingly. Note that a BOR also initiates a POR and PUC. $PMMBORIFG$ can be cleared by software or by reading $SYSRSTIV$. Similarly, it is possible to cause a POR via software by setting $PMMSWPOR$. $PMMPORIFG$ is set accordingly. A POR also initiates a PUC. $PMMPORIFG$ can be cleared by software or by reading $SYSRSTIV$. Both $PMMSWBOR$ and $PMMSWPOR$ are self clearing. See the SYS module for complete descriptions of BOR, POR, and PUC resets.

2.2.6 \overline{RST}/NMI

The external \overline{RST}/NMI terminal is pulled low on a BOR reset condition. The \overline{RST}/NMI can be used as reset source for the rest of the application.

2.2.7 PMM Interrupts

Interrupt flags generated by the PMM are routed to the system NMI interrupt vector generator register, SYSSNIV. When the PMM causes a reset, a value is generated in the system reset interrupt vector generator register, SYSRSTIV, corresponding to the source of the reset. These registers are defined within the SYS module. More information on the relationship between the PMM and SYS modules is available in the SYS chapter.

2.2.8 Port I/O Control

The PMM provides a means of ensuring that I/O pins cannot behave in uncontrolled fashion during an undervoltage event. During these times, outputs are disabled, both normal drive and the weak pullup or pulldown function. If the CPU is functioning normally, and then an undervoltage event occurs, any pin configured as an input has its PxIN register value locked when the event occurs, until voltage is restored. During the undervoltage event, external voltage changes on the pin are not registered internally. This helps prevent erratic behavior from occurring.

2.3 PMM Registers

The PMM registers are listed in [Table 2-1](#). The base address of the PMM module can be found in the device-specific data sheet. The address offset of each PMM register is given in [Table 2-1](#). The password defined in the PMMCTL0 register controls access to all PMM registers except PM5CTL0. PM5CTL0 can be accessed without a password. After the correct password is written, the write access is enabled (this includes byte access to the PMMCTL0 lower byte). The write access is disabled by writing a wrong password in byte mode to the PMMCTL0 upper byte. Word accesses to PMMCTL0 with a wrong password triggers a PUC. A write access to a register other than PMMCTL0 while write access is not enabled causes a PUC.

NOTE: All registers have word or byte register access. For a generic register *ANYREG*, the suffix "_L" (*ANYREG_L*) refers to the lower byte of the register (bits 0 through 7). The suffix "_H" (*ANYREG_H*) refers to the upper byte of the register (bits 8 through 15).

Table 2-1. PMM Registers

Offset	Acronym	Register Name	Type	Access	Reset	Section
00h	PMMCTL0	PMM control register 0	Read/write	Word	9660h	Section 2.3.1
00h	PMMCTL0_L		Read/write	Byte	60h	
01h	PMMCTL0_H		Read/write	Byte	96h	
0Ah	PMMIFG	PMM interrupt flag register	Read/write	Word	0000h	Section 2.3.2
0Ah	PMMIFG_L		Read/write	Byte	00h	
0Bh	PMMIFG_H		Read/write	Byte	00h	
10h	PM5CTL0	Power mode 5 control register 0	Read/write	Word	0000h	Section 2.3.3
10h	PM5CTL0_L		Read/write	Byte	00h	
11h	PM5CTL0_H		Read/write	Byte	00h	

2.3.1 PMMCTL0 Register

Power Management Module Control Register 0

Figure 2-4. PMMCTL0 Register

15		14		13		12		11		10		9		8	
PMPW															
rw-1		rw-0		rw-0		rw-1		rw-0		rw-1		rw-1		rw-0	
7		6		5		4		3		2		1		0	
Reserved		SVSHE		SVSLE		PMMREGOFF		PMMSWPOR		PMMSWBOR		Reserved		Reserved	
r0		rw-[1]		rw-[1]		rw-[0]		rw-(0)		rw-[0]		r0		rw-{0}	

Table 2-2. PMMCTL0 Register Description

Bit	Field	Type	Reset	Description
15-8	PMPW	RW	96h	PMM password. Always read as 096h. When using word operations, must be written with 0A5h or a PUC is generated. When using byte operation, writing 0A5h unlocks all PMM registers. When using byte operation, writing anything different than 0A5h locks all PMM registers.
7	Reserved	R	0h	Reserved. Always reads as 0.
6	SVSHE	RW	1h	High-side SVS enable 0b = High-side SVS (SVSH) is disabled in LPM4.5. SVSH is always enabled in active mode and LPM0, LPM1, LPM2, LPM3, LPM4, and LPM3.5. 1b = SVSH is always enabled.
5	SVSLE	RW	1h	Low-side SVS enable 0b = Low-side SVS (SVSL) is disabled in low-power modes. SVSL is always enabled in active mode and LPM0. 1b = SVSL is enabled in LPM0, LPM1, and LPM2. SVSL is always enabled in AM and always disabled in LPM3, LPM4, LPM3.5, and LPM4.5.
4	PMMREGOFF	RW	0h	Regulator off 0b = Regulator remains on when going into LPM3 or LPM4 1b = Regulator is turned off when going to LPM3 or LPM4. System enters LPM3.5 or LPM4.5, respectively.
3	PMMSWPOR	RW	0h	Software POR. Setting this bit to 1 triggers a POR. This bit is self clearing.
2	PMMSWBOR	RW	0h	Software brownout reset. Setting this bit to 1 triggers a BOR. This bit is self clearing.
1	Reserved	R	0h	Reserved. Always reads as 0.
0	Reserved	RW	0h	Reserved. Must always be written as 0.

2.3.2 PMMIFG Register

Power Management Module Interrupt Flag Register

Figure 2-5. PMMIFG Register

15	14	13	12	11	10	9	8
PMMLPM5IFG	Reserved	SVSHIFG	SVSLIFG	Reserved	PMMPORIFG	PMMRSTIFG	PMMBORIFG
rw-{0} ⁽¹⁾	r0	rw-{0} ⁽¹⁾	rw-{0} ⁽¹⁾	r0	rw-{0} ⁽¹⁾	rw-{0} ⁽¹⁾	rw-{0} ⁽¹⁾
7	6	5	4	3	2	1	0
Reserved							
r0	r0	r0	r0	r0	r0	r0	r0

⁽¹⁾ This bit indicates a specific reset condition. See bit description concerning reset conditions.

Table 2-3. PMMIFG Register Description

Bit	Field	Type	Reset	Description
15	PMMLPM5IFG	RW	0h	LPMx.5 flag. This bit is only set if the system was in LPMx.5 before. The bit is cleared by software or by reading the reset vector word. A power failure on the DVCC domain triggered by the high-side SVS (if enabled) or the brownout clears the bit. 0b = Reset not due to wake-up from LPMx.5 1b = Reset due to wake-up from LPMx.5
14	Reserved	R	0h	Reserved. Always reads as 0.
13	SVSHIFG	RW	0h	High-side SVS interrupt flag. This interrupt flag is only set if the SVSH is the reset source; that is, if DVCC dropped below the high-side SVS levels but remained above the brownout levels. The bit is cleared by software or by reading the reset vector word. 0b = Reset not due to SVSH 1b = Reset due to SVSH
12	SVSLIFG	RW	0h	Low-side SVS interrupt flag. This interrupt flag is only set if the SVSL is the reset source; that is if the core voltage dropped below the low-side SVS levels but DVCC remained above the SVSH levels. The bit is cleared by software or by reading the reset vector word. 0b = Reset not due to SVSL 1b = Reset due to SVSL
11	Reserved	R	0h	Reserved. Always reads as 0.
10	PMMPORIFG	RW	0h	PMM software POR interrupt flag. This interrupt flag is only set if a software POR (PMMSWPOR) is triggered. The bit is cleared by software or by reading the reset vector word. 0b = Reset not due to SWPOR 1b = Reset due to SWPOR
9	PMMRSTIFG	RW	0h	PMM reset pin interrupt flag. This interrupt flag is only set if the RST/NMI pin is the reset source. The bit is cleared by software or by reading the reset vector word. 0b = Reset not due to reset pin 1b = Reset due to reset pin
8	PMMBORIFG	RW	0h	PMM software brownout reset interrupt flag. This interrupt flag is only set if a software BOR (PMMSWBOR) is triggered. The bit is cleared by software or by reading the reset vector word. 0b = Reset not due to SWBOR 1b = Reset due to SWBOR
7-0	Reserved	R	0h	Reserved. Always reads as 0.

2.3.3 PM5CTL0 Register

Power Mode 5 Control Register 0

Figure 2-6. PM5CTL0 Register

15	14	13	12	11	10	9	8
Reserved							
r0	r0	r0	r0	r0	r0	r0	r0
7	6	5	4	3	2	1	0
Reserved							LOCKLPM5
r0	r0	r0	r0	r0	r0	r0	rw-{0} ⁽¹⁾

⁽¹⁾ This bit is reset by a power cycle; that is, if SVSH (if enabled) or brownout triggers a reset.

Table 2-4. PM5CTL0 Register Description

Bit	Field	Type	Reset	Description
15-1	Reserved	R	0h	Reserved. Always reads as 0.
0	LOCKLPM5	RW	0h	Lock I/O pin and other LPMx.5 relevant (for example, RTC) configurations upon entry to or exit from LPMx.5. When power is applied to the device and this bit is set, the bit can only be cleared by the user or by another power cycle. 0b = LPMx.5 configuration is not locked and defaults to its reset condition. 1b = LPMx.5 configuration remains locked. Pin state is held during LPMx.5 entry and exit.

Clock System (CS)

This chapter describes the operation of the clock system, which is implemented in all devices.

Topic	Page
3.1 Clock System Introduction	71
3.2 Clock System Operation	73
3.3 Module Oscillator (MODOSC).....	78
3.4 CS Registers.....	79

3.1 Clock System Introduction

The clock system module supports low system cost and low power consumption. By selecting from the internal clock signals, the user can select the best balance of performance and low power consumption. The clock module can operate without any external components, with one or two external crystals, or with resonators, under full software control.

The clock system module includes up to five clock sources:

- **XT1CLK:** Low-frequency or high-frequency oscillator that can be used with low-frequency 32768-Hz watch crystals, standard crystals, resonators, or external clock sources in the 4 MHz to 24 MHz range. When optional XT2 is present (see below), the XT1 high-frequency mode may or may not be available, depending on the device configuration. See the device-specific data sheet for supported functions.
- **VLOCLK:** Internal very-low-power low-frequency oscillator with 10-kHz typical frequency
- **DCOCLK:** Internal digitally controlled oscillator (DCO) with three selectable fixed frequencies
- **XT2CLK:** Optional high-frequency oscillator that can be used with standard crystals, resonators, or external clock sources in the 4 MHz to 24 MHz range. See the device-specific data sheet for availability.

Four system clock signals are available from the clock module:

- **ACLK:** Auxiliary clock. The ACLK is software selectable as XT1CLK, VLOCLK, DCOCLK, and when available, XT2CLK. ACLK can be divided by 1, 2, 4, 8, 16, or 32. ACLK is software selectable by individual peripheral modules.
- **MCLK:** Master clock. MCLK is software selectable as XT1CLK, VLOCLK, DCOCLK, and when available, XT2CLK. MCLK can be divided by 1, 2, 4, 8, 16, or 32. MCLK is used by the CPU and system.
- **SMCLK:** Subsystem master clock. SMCLK is software selectable as XT1CLK, VLOCLK, DCOCLK, and when available, XT2CLK. SMCLK is software selectable by individual peripheral modules.
- **MODCLK:** Module clock. MODCLK is used by various peripheral modules and is sourced by MODOSC.

[Figure 3-1](#) shows a block diagram of the clock system module.

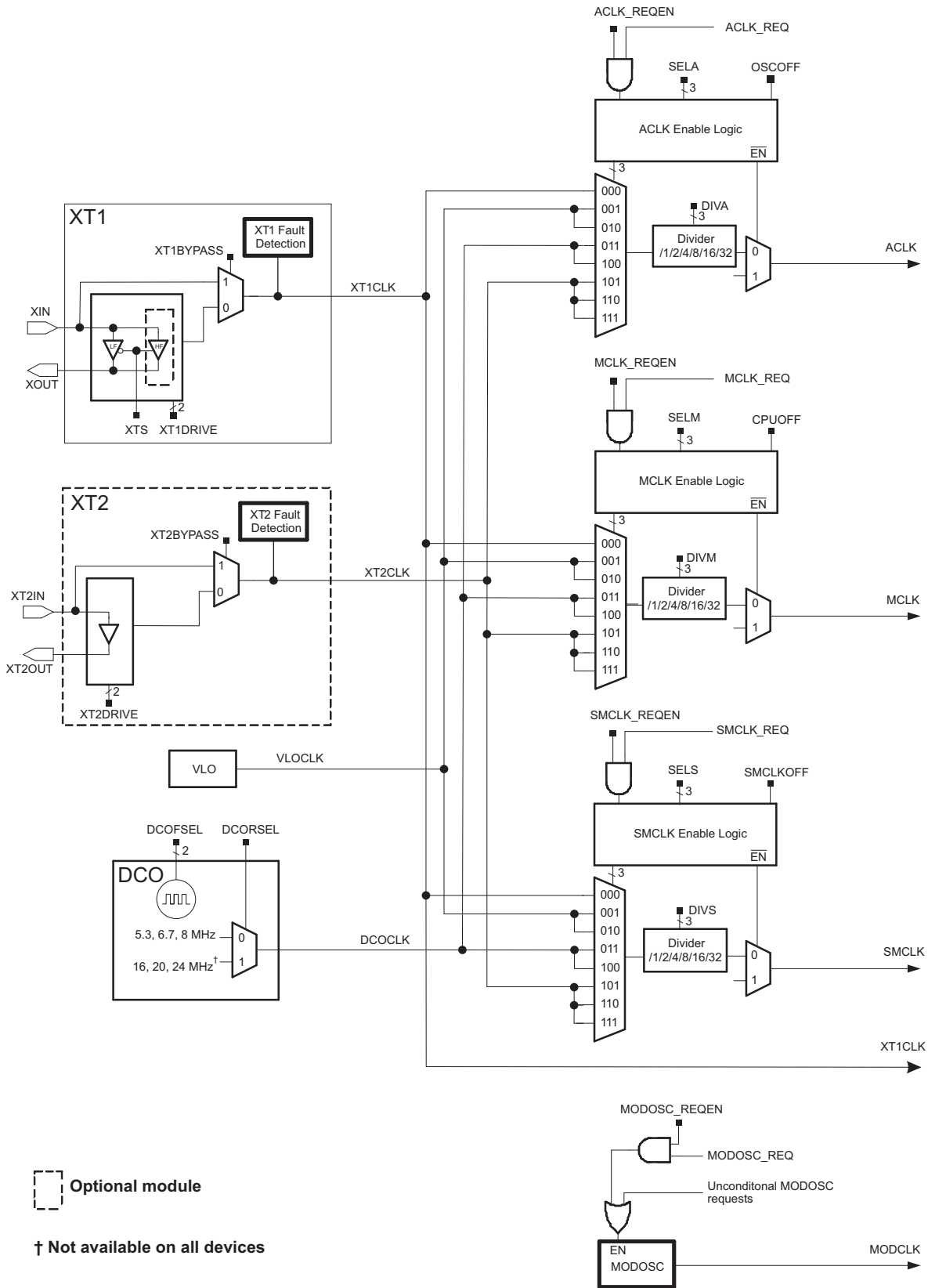


Figure 3-1. Clock System Block Diagram

3.2 Clock System Operation

After a PUC, the CS module default configuration is:

- XT1 in low frequency (LF) mode (XTS = 0) is selected as the oscillator source for XT1CLK. XT1CLK is selected for ACLK (SELA = {0}).
- DCOCLK is selected for MCLK and SMCLK (SELM = SELS = {3}) and each are divided by 8 (DIVM = DIVS = {3}).
- XIN and XOUT pins are set to general-purpose I/Os and XT1 remains disabled until the I/O ports are configured for XT1 operation.
- When XT2 is available, XT2IN and XT2OUT pins are set to general-purpose I/Os and XT2 is disabled.

As previously stated, XT1 is selected by default, but XT1 is disabled. The crystal pins (XIN, XOUT) are shared with general-purpose I/Os. To enable XT1, the PSEL bits associated with the crystal pins must be set. When a 32768-Hz crystal is used for XT1CLK, the fault control logic immediately causes ACLK to be sourced by the VLOCLK, because XT1 is not stable immediately (see [Section 3.2.7](#)).

Status register control bits (SCG0, SCG1, OSCOFF, and CPUOFF) configure the device operating modes and enable or disable portions of the clock system module (see the *System Resets, Interrupts, and Operating Modes* chapter). Registers CSCTL0 through CSCTL6 configure the CS module.

The CS module can be configured or reconfigured by software at any time during program execution. The CS control registers are password protected to prevent inadvertent access.

3.2.1 CS Module Features for Low-Power Applications

Conflicting requirements typically exist in battery-powered applications:

- Low clock frequency for energy conservation and time keeping
- High clock frequency for fast response times and fast burst processing capabilities
- Clock stability over operating temperature and supply voltage
- Low-cost applications with less-constrained clock accuracy requirements

The CS module addresses these conflicting requirements by allowing the user to select from the three available clock signals: ACLK, MCLK, and SMCLK.

All three available clock signals can be sourced from any of the available clock sources (XT1CLK, VLOCLK, DCOCLK, or XT2CLK), giving complete flexibility in the system clock configuration. A flexible clock distribution and divider system is provided to fine-tune the individual clock requirements.

3.2.2 Internal Very-Low-Power Low-Frequency Oscillator (VLO)

The internal VLO provides a typical frequency of 10 kHz (see the device-specific data sheet for parameters) without requiring a crystal. The VLO provides for a low-cost ultralow-power clock source for applications that do not require an accurate time base.

The VLO can be used to source ACLK, MCLK, or SMCLK (SELA = {1} or SELM = {1} or SELS = {1}).

3.2.3 XT1 Oscillator

The XT1 oscillator supports ultralow-current consumption using a 32768-Hz watch crystal in low-frequency (LF) mode (XTS = 0). The watch crystal connects to the XIN and XOUT pins and requires external capacitors on both terminals. These capacitors should be sized according to the crystal or resonator specifications.

On devices that do not include the optional XT2 oscillator (see [Section 3.2.4](#)), the XT1 oscillator also supports high-speed crystals or resonators when in high-frequency (HF) mode (XTS = 1). The high-speed crystal or resonator connects to XIN and XOUT and requires external capacitors on both terminals. These capacitors should be sized according to the crystal or resonator specifications.

In XT1 LF or HF modes, different crystal or resonator ranges are supported by choosing the proper XT1DRIVE settings. XT1 may be used with an external clock signal on the XIN pin in either LF or HF mode by setting XT1BYPASS = 1. When used with an external signal, the external frequency must meet the data sheet parameters for the chosen mode. XT1 is powered down when used in bypass mode.

The XT1 pins are shared with general-purpose I/O ports. At power up, the default operation is XT1, LF mode of operation. However, XT1 remains disabled until the ports shared with XT1 are configured for XT1 operation. The configuration of the shared I/O is determined by the PSEL bit associated with XIN and the XT1BYPASS bit. Setting the PSEL bit causes the XIN and XOUT ports to be configured for XT1 operation. If XT1BYPASS is also set, XT1 is configured for bypass mode of operation, and the oscillator associated with XT1 is powered down. In bypass mode of operation, XIN can accept an external clock input signal and XOUT is configured as a general-purpose I/O. The PSEL bit associated with XOUT is a don't care.

If the PSEL bit associated with XIN is cleared, both XIN and XOUT ports are configured as general-purpose I/Os, and XT1 is disabled.

XT1 is enabled under any of the following conditions:

- XT1 is a source for ACLK (SELA = {0}) and in active mode (AM) through LPM3 (OSCOFF = 0)
- XT1 is a source for MCLK (SELM = {0}) and in active mode (AM) (CPUOFF = 0)
- XT1 is a source for SMCLK (SELS = {0}) and in active mode (AM) through LPM1 (SMCLKOFF = 0)
- XT1OFF = 0. XT1 enabled in active mode (AM) through LPM4.

3.2.4 XT2 Oscillator

Some devices have a second crystal oscillator, XT2. XT2 sources XT2CLK, and its characteristics are identical to XT1 in HF mode. The XT2DRIVE bits select the frequency range of operation of XT2. Devices that support XT2 may or may not support XT1 in HF mode; see the device-specific data sheet for availability.

XT2 may be used with external clock signals on the XT2IN pin by setting XT2BYPASS = 1. When used with an external signal, the external frequency must meet the data-sheet parameters for XT2. XT2 is powered down when used in bypass mode.

The XT2 pins are shared with general-purpose I/O ports. At power up, the default operation is XT2. However, XT2 remains disabled until the ports shared with XT2 are configured for XT2 operation. The configuration of the shared I/O is determined by the PSEL bit associated with XT2IN and the XT2BYPASS bit. Setting the PSEL bit causes the XT2IN and XT2OUT ports to be configured for XT2 operation. If XT2BYPASS is also set, XT2 is configured for bypass mode of operation, and the oscillator associated with XT2 is powered down. In bypass mode of operation, XT2IN can accept an external clock input signal and XT2OUT is configured as a general-purpose I/O. The PSEL bit associated with XT2OUT is a don't care.

If the PSEL bit associated with XT2IN is cleared, both XT2IN and XT2OUT ports are configured as general-purpose I/Os, and XT2 is disabled.

XT2 is enabled under any of the following conditions:

- XT2 is a source for ACLK (SELA = {5, 6, 7}) and in active mode (AM) through LPM3 (OSCOFF = 0)
- XT2 is a source for MCLK (SELM = {5, 6, 7}) and in active mode (AM) (CPUOFF = 0)
- XT2 is a source for SMCLK (SELS = {5, 6, 7}) and in active mode (AM) through LPM1 (SMCLKOFF = 0)
- XT2OFF = 0. XT2 enabled in active mode (AM) through LPM4.

3.2.5 Digitally Controlled Oscillator (DCO)

The DCO is an integrated digitally controlled oscillator. The DCO has three frequency settings determined by the DCOFSEL bits. Each frequency is trimmed at the factory. The DCO can be used as a source for ACLK, MCLK, or SMCLK. See the device-specific data sheet for DCO characteristics.

The DCO frequency can be changed at any time, but care should be taken to ensure no other system clock frequency constraints are exceeded with the new frequency selection. Any change in the DCOFSEL or DCORSEL bits causes the DCOCLK to be held for four clock cycles before releasing the new value into the system. This allows for the DCO to settle properly.

3.2.6 Operation From Low-Power Modes, Requested by Peripheral Modules

A peripheral module automatically requests its clock source from the CS module if that clock is required for the peripheral's operation, regardless of the power mode of operation that is selected, as shown in Figure 3-2.

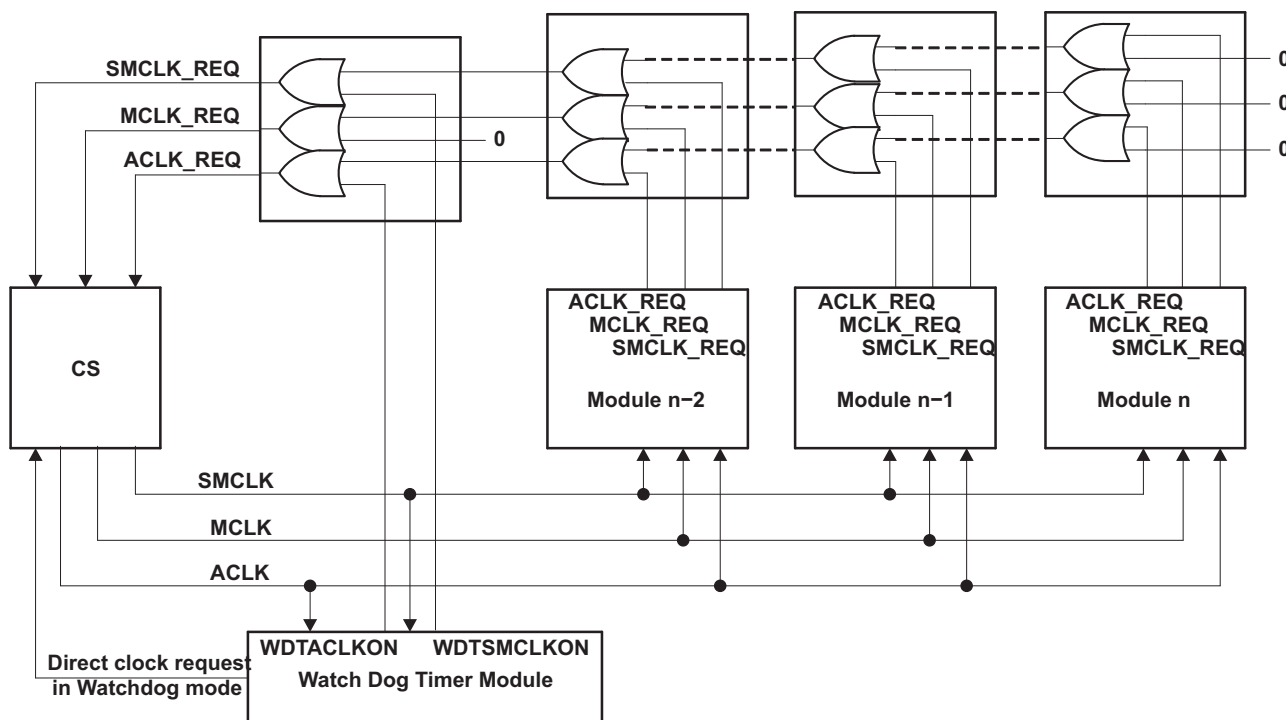


Figure 3-2. Module Request Clock System

A peripheral module asserts one of three possible clock request signals based on its control bits: ACLK_REQ, MCLK_REQ, or SMCLK_REQ. These request signals are based on the configuration and clock selection of the respective module. For example, if a timer selects ACLK as its clock source and the timer is enabled, the timer generates an ACLK_REQ signal to the CS system. The CS, in turn, enables ACLK regardless of the power mode settings.

Any clock request from a peripheral module causes its respective clock off signal to be overridden, but does not change the setting of clock off control bit. For example, a peripheral module may require ACLK that is currently disabled by the OSCOFF bit (OSCOFF = 1). The module can request ACLK by generating an ACLK_REQ. This causes the OSCOFF bit to have no effect, thereby allowing ACLK to be available to the requesting peripheral module. The OSCOFF bit remains at its current setting (OSCOFF = 1).

If the requested source is not active, the software NMI handler must manage the required actions. For the previous example, if ACLK was sourced by XT1, and XT1 was not enabled, an oscillator fault condition occurs and the software must handle the event. The watchdog, due to its security requirement, actively selects the VLOCLK source if the originally selected clock source is not available.

Due to the clock request feature, care must be taken in the application when entering low-power modes to save power. Although the device enters the selected low-power mode, a clock request causes more current consumption than the specified values in the data sheet. By default, the clock request feature is enabled. The feature can be disabled for each system clock by clearing ACLKREQEN, MCLKREQEN, or SMCLKREQEN for the respective clocks. This does not disable fail-safe clock requests; for example, those of the watchdog timer or the clock system itself.

The function of the ACLKREQEN, MCLKREQEN, and SMCLKREQEN bits depends on which power mode is selected; that is, they do not have an effect across all power modes. For example, ACLKREQEN enables or disables ACLK requests. It is only effective in LPM4, because in all other modes (AM, LPM0, LPM1, LPM2, LPM3), ACLK is always active. SMCLKREQEN enables or disables SMCLK requests. When SMCLKOFF = 0 and in AM, LPM0, or LPM1, it is a don't care because SMCLK is always on in these cases. For SMCLKOFF = 0 and in LPM2, LPM3, and LPM4, SMCLKREQEN can enable or disable SMCLK requests, because in these modes, SMCLK is normally off. When SMCLKOFF = 1, SMCLKREQEN can enable or disable SMCLK requests, because under this condition SMCLK is normally off in all power modes. This is summarized in [Table 3-1](#).

Table 3-1. System Clocks vs Power Modes and Clock Requests

Mode	System Clocks							
	MCLK		ACLK		SMCLK			
	MCLKREQEN = 0 and clock requested	MCLKREQEN = 1 and clock requested	ACLKREQEN = 0 and clock requested	ACLKREQEN = 1 and clock requested	SMCLKREQEN = 0 and clock requested	SMCLKREQEN = 1 and clock requested	SMCLKREQEN = 0 and clock requested	SMCLKREQEN = 1 and clock requested
AM	Active	Active	Active	Active	Active	Active	Disabled	Active
LPM0	Disabled	Active	Active	Active	Active	Active	Disabled	Active
LPM1	Disabled	Active	Active	Active	Active	Active	Disabled	Active
LPM2	Disabled	Active	Active	Active	Disabled	Active	Disabled	Active
LPM3	Disabled	Active	Active	Active	Disabled	Active	Disabled	Active
LPM4	Disabled	Active	Disabled	Active	Disabled	Active	Disabled	Active
LPM3.5	Disabled	Disabled	Disabled ⁽¹⁾	Disabled	Disabled	Disabled	Disabled	Disabled
LPM4.5	Disabled	Disabled	Disabled	Disabled	Disabled	Disabled	Disabled	Disabled

⁽¹⁾ LFXCLK is available directly as the clock source to the RTC module.

3.2.7 CS Module Fail-Safe Operation

The CS module incorporates an oscillator-fault fail-safe feature. This feature detects an oscillator fault for XT1 and XT2 as shown in [Figure 3-3](#). The available fault conditions are:

- Low-frequency oscillator fault (XT1OFFG) for XT1 in LF mode
- High-frequency oscillator fault (XT1OFFG) for XT1 in HF mode
- High-frequency oscillator fault (XT2OFFG) for XT2
- External clock signal faults for all bypass modes; that is, XT1BYPASS = 1 or XT2BYPASS = 1

The crystal oscillator fault bits XT1OFFG and XT2OFFG are set if the corresponding crystal oscillator is turned on and not operating properly. Once set, the fault bits remain set until reset in software, even if the fault condition no longer exists. If the user clears the fault bits and the fault condition still exists, the fault bits are automatically set again, otherwise they remain cleared.

The OFIFG oscillator-fault interrupt flag is set and latched at POR or when any oscillator fault (XT1OFFG or XT2OFFG) is detected. When OFIFG is set and OFIE is set, the OFIFG requests a user NMI. When the interrupt is granted, the OFIE is not reset automatically as it is in previous MSP430 families. It is no longer required to reset the OFIE. NMI entry and exit circuitry removes this requirement. The OFIFG flag must be cleared by software. The source of the fault can be identified by checking the individual fault bits.

If XT1 in LF mode is sourcing any system clock (ACLK, MCLK, or SMCLK), and a fault is detected, the system clock is automatically switched to the VLO for its clock source (VLOCLK). Similarly, if XT1 in HF mode is sourcing any system clock and a fault is detected, the system clock is automatically switched to MODOSC for its clock source (MODCLK). When XT2 (if available) is sourcing any system clock and a fault is detected, the system clock is automatically switched to MODOSC for its clock source (MODCLK). The fail-safe logic does not change the respective SELA, SELM, and SELS bit settings. The fail-safe mechanism behaves the same in normal and bypass modes.

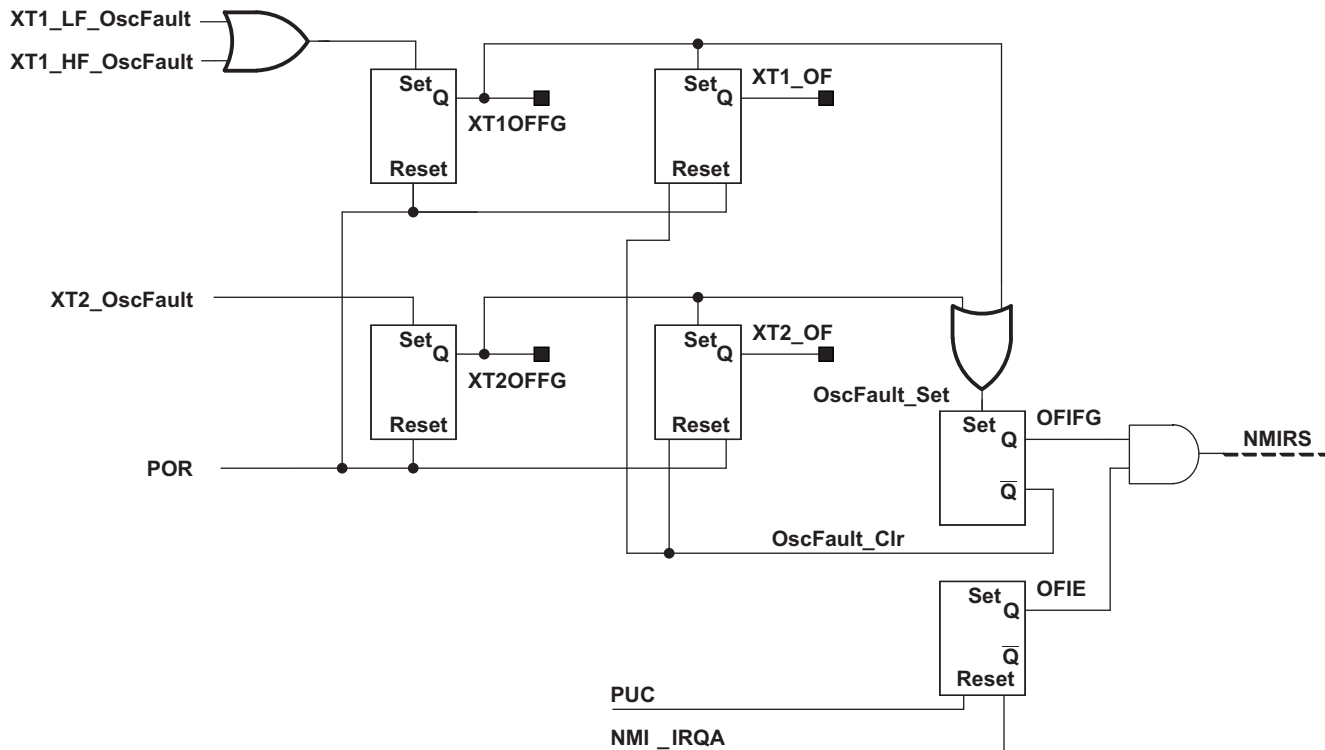


Figure 3-3. Oscillator Fault Logic

NOTE: Fault conditions

XT1_LF_OscFault: This signal is set after the XT1 (LF mode) oscillator has stopped operation and is cleared after operation resumes. The fault condition causes XT1OFFG to be set and remain set. If the user clears XT1OFFG and the fault condition still exists, XT1OFFG remains set.

XT1_HF_OscFault: This signal is set after the XT1 (HF mode) oscillator has stopped operation and is cleared after operation resumes. The fault condition causes XT1OFFG to be set and remain set. If the user clears XT1OFFG and the fault condition still exists, XT1OFFG remains set.

XT2_OscFault: This signal is set after the XT2 oscillator has stopped operation and is cleared after operation resumes. The fault condition causes XT2OFFG to be set and remain set. If the user clears XT2OFFG and the fault condition still exists, XT2OFFG remains set.

NOTE: Fault logic

As long as a fault condition still exists, the OFIFG remains set. The application must take special care when clearing the OFIFG signal. If no fault condition remains when the OFIFG signal is cleared, the clock logic switches back to the original user settings prior to the fault condition.

NOTE: The XT1 startup includes a counter that ensures that 4096 valid clock cycles have passed before XT1_LF_OscFault and XT1_HF_OscFault signals are cleared. A valid cycle is any cycle that meets the frequency requirement ($f_{Fault,LF}$ or $f_{Fault,HF}$) as outlined in the device-specific data sheet. Any crystal fault restarts the counter. It is recommended that the counter always be enabled; however, the counter can be disabled by clearing ENSTFCNT1. Similarly, XT2 startup includes a counter. It can be disabled by clearing ENSTFCNT2. The disabling of the counters is valid for bypass and normal modes of operation.

3.2.8 Synchronization of Clock Signals

When switching ACLK, MCLK, or SMCLK from one clock source to the other, the switch is synchronized to avoid critical race conditions as shown in Figure 3-4:

- The current clock cycle continues until the next rising edge.
- The clock remains high until the next rising edge of the new clock.
- The new clock source is selected and continues with a full high period.

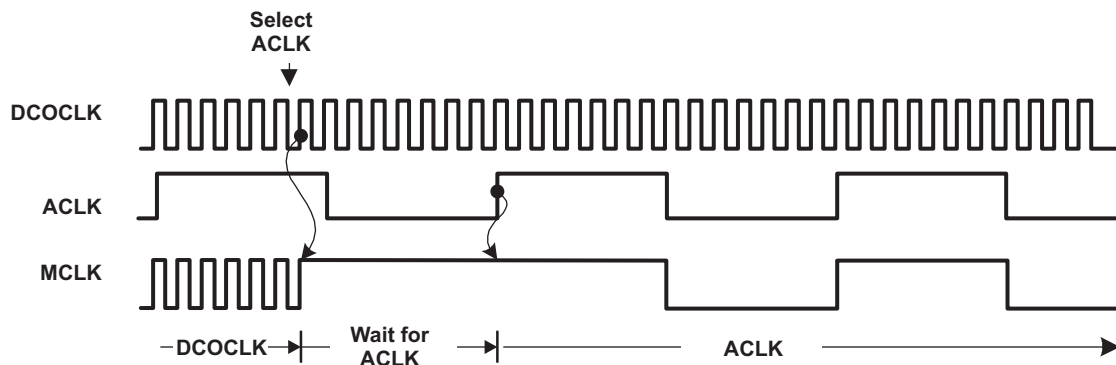


Figure 3-4. Switch MCLK from DCOCLK to XT1CLK

3.3 Module Oscillator (MODOSC)

The CS module also supports an internal oscillator, MODOSC, that is used by the power management module and, optionally, by other modules in the system. It is also used as a fail-safe clock source as described in Section 3.2.7. The MODOSC sources MODCLK.

3.3.1 MODOSC Operation

To conserve power, MODOSC is powered down when not needed and enabled only when required. When the MODOSC source is required, the respective module requests it. MODOSC is enabled based on unconditional and conditional requests. Setting MODOSCREQEN enables conditional requests. Unconditional requests are always enabled. It is not necessary to set MODOSCREQEN for modules that use unconditional requests; for example, PMM, ADC, and fail-safe.

The ADC10_A may optionally use MODOSC as a clock source for its conversion clock. The user chooses the ADC10OSC as the conversion clock source. During a conversion, the ADC10_A module issues an unconditional request for the ADC10OSC clock source. Upon doing so, the MODOSC source is enabled, if not already enabled from other modules' previous requests.

3.4 CS Registers

The CS module registers are listed in [Table 3-2](#). The base address can be found in the device-specific data sheet. The address offset is listed in [Table 3-2](#). The password defined in CSCTL0 controls access to the CS registers. After the correct password is written, write access to the CS registers is enabled. Write access is disabled by writing an incorrect password in byte mode to the CSCTL0 upper byte.

NOTE: All registers have word or byte register access. For a generic register *ANYREG*, the suffix "_L" (*ANYREG_L*) refers to the lower byte of the register (bits 0 through 7). The suffix "_H" (*ANYREG_H*) refers to the upper byte of the register (bits 8 through 15).

Table 3-2. CS Registers

Offset	Acronym	Register Name	Type	Access	Reset	Section
00h	CSCTL0	Clock System Control 0	Read/write	Word	9600h	Section 3.4.1
00h	CSCTL0_L		Read/write	Byte	00h	
01h	CSCTL0_H		Read/write	Byte	96h	
02h	CSCTL1	Clock System Control 1	Read/write	Word	0007h	Section 3.4.2
02h	CSCTL1_L		Read/write	Byte	07h	
03h	CSCTL1_H		Read/write	Byte	00h	
04h	CSCTL2	Clock System Control 2	Read/write	Word	0033h	Section 3.4.3
04h	CSCTL2_L		Read/write	Byte	33h	
05h	CSCTL2_H		Read/write	Byte	00h	
06h	CSCTL3	Clock System Control 3	Read/write	Word	0033h	Section 3.4.4
06h	CSCTL3_L		Read/write	Byte	33h	
07h	CSCTL3_H		Read/write	Byte	00h	
08h	CSCTL4	Clock System Control 4	Read/write	Word	C1C1h	Section 3.4.5
08h	CSCTL4_L		Read/write	Byte	C1h	
09h	CSCTL4_H		Read/write	Byte	C1h	
0Ah	CSCTL5	Clock System Control 5	Read/write	Word	0C01h	Section 3.4.6
0Ah	CSCTL5_L		Read/write	Byte	01h	
0Bh	CSCTL5_H		Read/write	Byte	0Ch	
0Ch	CSCTL6	Clock System Control 6	Read/write	Word	0007h	Section 3.4.7
0Ch	CSCTL6_L		Read/write	Byte	07h	
0Dh	CSCTL6_H		Read/write	Byte	00h	

3.4.1 CSCTL0 Register

Clock System Control 0 Register

Figure 3-5. CSCTL0 Register

15	14	13	12	11	10	9	8
CSKEY							
rw-1	rw-0	rw-0	rw-1	rw-0	rw-1	rw-1	rw-0
7	6	5	4	3	2	1	0
Reserved							
r0	r0	r0	r0	r0	r0	r0	r0

Table 3-3. CSCTL0 Register Description

Bit	Field	Type	Reset	Description
15-8	CSKEY	RW	96h	CSKEY passkey. Always reads as 096h. Must be written as 0A5h when writing in word mode; writing any other value in word mode generates a PUC. After a correct password is written and CS register accesses are enabled, a wrong password write in byte mode disables the access, and no PUC is generated
7-0	Reserved	R	0h	Reserved. Always reads as 0.

3.4.2 CSCTL1 Register

Clock System Control 1 Register

Figure 3-6. CSCTL1 Register

15	14	13	12	11	10	9	8
Reserved							
r0	r0	r0	r0	r0	r0	r0	r0
7	6	5	4	3	2	1	0
DCORSEL	Reserved			DCOFSEL			Reserved
rw-[0]	r0	r0	r0	r0	rw-[1]	rw-[1]	r1

Table 3-4. CSCTL1 Register Description

Bit	Field	Type	Reset	Description
15-8	Reserved	R	0h	Reserved. Always reads as 0.
7	DCORSEL	RW	0h	DCO range select. For high-speed devices, this bit can be written by the user. For low-speed devices, it is always reset. See DCOFSEL for valid values.
6-3	Reserved	R	0h	Reserved. Always reads as 0.
2-1	DCOFSEL	RW	3h	DCO frequency select. For some devices, DCORSEL = 1 setting is not available. If DCORSEL = 0: 00b = 5.33 01b = 6.67 10b = 5.33 11b = 8 If DCORSEL = 1: 00b = 16 01b = 20 10b = 16 11b = 24
0	Reserved	R	1h	Reserved. Always reads as 1.

3.4.3 CSCTL2 Register

Clock System Control 2 Register

Figure 3-7. CSCTL2 Register

15	14	13	12	11	10	9	8
Reserved					SELA		
r0	r0	r0	r0	r0	rw-0	rw-0	rw-0
7	6	5	4	3	2	1	0
Reserved	SELS			Reserved	SELM		
r0	rw-0	rw-1	rw-1	r0	rw-0	rw-1	rw-1

Table 3-5. CSCTL2 Register Description

Bit	Field	Type	Reset	Description
15-11	Reserved	R	0h	Reserved. Always reads as 0.
10-8	SELA	RW	0h	Selects the ACLK source 000b = XT1CLK 001b = VLOCLK 010b = Reserved. Defaults to VLOCLK. 011b = DCOCLK 100b = Reserved. Defaults to DCOCLK. 101b = XT2CLK when available, otherwise DCOCLK 110b = Reserved. Defaults to XT2CLK when available, otherwise DCOCLK. 111b = Reserved. Defaults to XT2CLK when available, otherwise DCOCLK.
7	Reserved	R	0h	Reserved. Always reads as 0.
6-4	SELS	RW	3h	Selects the SMCLK source 000b = XT1CLK 001b = VLOCLK 010b = Reserved. Defaults to VLOCLK. 011b = DCOCLK 100b = Reserved. Defaults to DCOCLK. 101b = XT2CLK when available, otherwise DCOCLK 110b = Reserved. Defaults to XT2CLK when available, otherwise DCOCLK. 111b = Reserved. Defaults to XT2CLK when available, otherwise DCOCLK.
3	Reserved	R	0h	Reserved. Always reads as 0.
2-0	SELM	RW	3h	Selects the MCLK source 000b = XT1CLK 001b = VLOCLK 010b = Reserved. Defaults to VLOCLK. 011b = DCOCLK 100b = Reserved. Defaults to DCOCLK. 101b = XT2CLK when available, otherwise DCOCLK 110b = Reserved. Defaults to XT2CLK when available, otherwise DCOCLK. 111b = Reserved. Defaults to XT2CLK when available, otherwise DCOCLK.

3.4.4 CSCTL3 Register

Clock System Control 3 Register

Figure 3-8. CSCTL3 Register

15	14	13	12	11	10	9	8
Reserved					DIVA		
r0	r0	r0	r0	r0	rw-0	rw-0	rw-0
7	6	5	4	3	2	1	0
Reserved	DIVS			Reserved	DIVM		
r0	rw-0	rw-1	rw-1	r0	rw-0	rw-1	rw-1

Table 3-6. CSCTL3 Register Description

Bit	Field	Type	Reset	Description
15-11	Reserved	R	0h	Reserved. Always reads as 0.
10-8	DIVA	RW	0h	ACLK source divider. Divides the frequency of the ACLK clock source. 000b = $f_{\text{ACLK}}/1$ 001b = $f_{\text{ACLK}}/2$ 010b = $f_{\text{ACLK}}/4$ 011b = $f_{\text{ACLK}}/8$ 100b = $f_{\text{ACLK}}/16$ 101b = $f_{\text{ACLK}}/32$ 110b = Reserved. Defaults to $f_{\text{ACLK}}/32$. 111b = Reserved. Defaults to $f_{\text{ACLK}}/32$.
7	Reserved	R	0h	Reserved. Always reads as 0.
6-4	DIVS	RW	3h	SMCLK source divider. Divides the frequency of the SMCLK clock source. 000b = $f_{\text{SMCLK}}/1$ 001b = $f_{\text{SMCLK}}/2$ 010b = $f_{\text{SMCLK}}/4$ 011b = $f_{\text{SMCLK}}/8$ 100b = $f_{\text{SMCLK}}/16$ 101b = $f_{\text{SMCLK}}/32$ 110b = Reserved. Defaults to $f_{\text{SMCLK}}/32$. 111b = Reserved. Defaults to $f_{\text{SMCLK}}/32$.
3	Reserved	R	0h	Reserved. Always reads as 0.
2-0	DIVM	RW	3h	MCLK source divider. Divides the frequency of the MCLK clock source. 000b = $f_{\text{MCLK}}/1$ 001b = $f_{\text{MCLK}}/2$ 010b = $f_{\text{MCLK}}/4$ 011b = $f_{\text{MCLK}}/8$ 100b = $f_{\text{MCLK}}/16$ 101b = $f_{\text{MCLK}}/32$ 110b = Reserved. Defaults to $f_{\text{MCLK}}/32$. 111b = Reserved. Defaults to $f_{\text{MCLK}}/32$.

3.4.5 CSCTL4 Register

Clock System Control 4 Register

Figure 3-9. CSCTL4 Register

15	14	13	12	11	10	9	8
XT2DRIVE		Reserved	XT2BYPASS	Reserved			XT2OFF
rw-1	rw-1	r0	rw-0	r0	r0	r0	rw-1
7	6	5	4	3	2	1	0
XT1DRIVE		XTS	XT1BYPASS	Reserved		SMCLKOFF	XT1OFF
rw-1	rw-1	rw-0	rw-0	r0	r0	rw-0	rw-1

Table 3-7. CSCTL4 Register Description

Bit	Field	Type	Reset	Description
15-14	XT2DRIVE	RW	3h	The XT2 oscillator current can be adjusted to its drive needs. 00b = Lowest current consumption. XT2 oscillator operating range is 4 MHz to 8 MHz. 01b = Increased drive strength XT2 oscillator. XT2 oscillator operating range is 8 MHz to 16 MHz. 10b = Increased drive capability XT2 oscillator. XT2 oscillator operating range is 16 MHz to 24 MHz. 11b = Maximum drive capability and maximum current consumption for both XT2 oscillator. XT2 oscillator operating range is 24 MHz to 32 MHz.
13	Reserved	R	0h	Reserved. Always reads as 0.
12	XT2BYPASS	RW	0h	XT2 bypass select 0b = XT2 sourced from external crystal 1b = XT2 sourced from external clock signal
11-9	Reserved	R	0h	Reserved. Always reads as 0.
8	XT2OFF	RW	1h	Turns off the XT2 oscillator 0b = XT2 is on if XT2 is selected by the port selection and XT2 is not in bypass mode of operation. 1b = XT2 is off if it is not used as a source for ACLK, MCLK, or SMCLK
7-6	XT1DRIVE	RW	3h	The XT1 oscillator current can be adjusted to its drive needs. 00b = Lowest current consumption for XT1 LF mode. XT1 oscillator operating range in HF mode is 4 MHz to 6 MHz. 01b = Increased drive strength for XT1 LF mode. XT1 oscillator operating range in HF mode is 6 MHz to 10 MHz. 10b = Increased drive capability for XT1 LF mode. XT1 oscillator operating range in HF mode is 10 MHz to 16 MHz. 11b = Maximum drive capability and maximum current consumption for XT1 LF mode. XT1 oscillator operating range in HF mode is 16 MHz to 24 MHz.
5	XTS	RW	0h	XT1 mode select 0b = Low-frequency mode 1b = High-frequency mode
4	XT1BYPASS	RW	0h	XT1 bypass select 0b = XT1 sourced from external crystal 1b = XT1 sourced from external clock signal
3-2	Reserved	R	0h	Reserved. Always reads as 0.
1	SMCLKOFF	RW	0h	SMCLK off. This bit turns off the SMCLK. 0b = SMCLK on 1b = SMCLK off
0	XT1OFF	RW	1h	XT1 off. This bit turns off the XT1. 0b = XT1 is on if XT1 is selected by the port selection and XT1 is not in bypass mode of operation 1b = XT1 is off if it is not used as a source for ACLK, MCLK, or SMCLK

3.4.6 CSCTL5 Register

Clock System Control 5 Register

Figure 3-10. CSCTL5 Register

15	14	13	12	11	10	9	8	
Reserved								
r0	r0	0	r0	r0	r0	r0	r0	
7	6	5	4	3	2	1	0	
ENSTFCNT2	ENSTFCNT1	Reserved				XT2OFFG ⁽¹⁾	XT1OFFG	
rw-(1)	rw-(1)	r0	r0	r0	r0	rw-(0)	rw-(1)	

⁽¹⁾ On devices without XT2, this flag is read only zero.

Table 3-8. CSCTL5 Register Description

Bit	Field	Type	Reset	Description
15-8	Reserved	R	0h	Reserved. Always reads as 0.
7	ENSTFCNT2	RW	1h	Enable start counter for XT2 when available. 0b = Startup fault counter disabled. Counter is cleared. 1b = Startup fault counter enabled
6	ENSTFCNT1	RW	1h	Enable start counter for XT1. 0b = Startup fault counter disabled. Counter is cleared. 1b = Startup fault counter enabled
5-2	Reserved	R	0h	Reserved. Always reads as 0.
1	XT2OFFG	RW	0h	XT2 oscillator fault flag. If this bit is set, the OFIFG flag is also set. XT2OFFG is set if a XT2 fault condition exists. XT2OFFG can be cleared by software. If the XT2 fault condition still remains, XT2OFFG is set. On devices without XT2, this flag is read-only zero. 0b = No fault condition occurred after the last reset. 1b = XT2 fault. An XT2 fault occurred after the last reset.
0	XT1OFFG	RW	1h	XT1 oscillator fault flag (LF mode). If this bit is set, the OFIFG flag is also set. XT1OFFG is set if a XT1 fault condition exists. XT1OFFG can be cleared by software. If the XT1 fault condition still remains, XT1OFFG is set. 0b = No fault condition occurred after the last reset. 1b = XT1 fault (LF mode or HF mode). A XT1 fault occurred after the last reset.

3.4.7 CSCTL6 Register

Clock System Control 6 Register

Figure 3-11. CSCTL6 Register

15	14	13	12	11	10	9	8
Reserved							
r0	r0	r0	r0	r0	r0	r0	r0
7	6	5	4	3	2	1	0
Reserved				MODCLKREQE N	SMCLKREQEN	MCLKREQEN	ACLKREQEN
r0	r0	r0	r0	rw-(0)	rw-(1)	rw-(1)	rw-(1)

Table 3-9. CSCTL6 Register Description

Bit	Field	Type	Reset	Description
15-4	Reserved	R	0h	Reserved. Always reads as 0.
3	MODCLKREQEN	RW	0h	MODOSC clock request enable. Setting this enables conditional module requests for MODCLK. 0b = MODCLK conditional requests are disabled 1b = MODCLK conditional requests are enabled
2	SMCLKREQEN	RW	1h	SMCLK clock request enable. Setting this enables conditional module requests for SMCLK. 0b = SMCLK conditional requests are disabled 1b = SMCLK conditional requests are enabled
1	MCLKREQEN	RW	1h	MCLK clock request enable. Setting this enables conditional module requests for MCLK. 0b = MCLK conditional requests are disabled 1b = MCLK conditional requests are enabled
0	ACLKREQEN	RW	1h	ACLK clock request enable. Setting this enables conditional module requests for ACLK. 0b = ACLK conditional requests are disabled 1b = ACLK conditional requests are enabled

CPUX

This chapter describes the extended MSP430X 16-bit RISC CPU (CPUX) with 1MB memory access, its addressing modes, and instruction set.

NOTE: The MSP430X CPUX implemented on this device family, formally called CPUXV2, has in some cases, slightly different cycle counts from the MSP430X CPUX implemented on the 2xx and 4xx families.

Topic	Page
4.1 MSP430X CPU (CPUX) Introduction	88
4.2 Interrupts	90
4.3 CPU Registers	91
4.4 Addressing Modes	97
4.5 MSP430 and MSP430X Instructions	114
4.6 Instruction Set Description	130

4.1 MSP430X CPU (CPUX) Introduction

The MSP430X CPU incorporates features specifically designed for modern programming techniques, such as calculated branching, table processing, and the use of high-level languages such as C. The MSP430X CPU can address a 1MB address range without paging. The MSP430X CPU is completely backward compatible with the MSP430 CPU.

The MSP430X CPU features include:

- RISC architecture
- Orthogonal architecture
- Full register access including program counter (PC), status register (SR), and stack pointer (SP)
- Single-cycle register operations
- Large register file reduces fetches to memory.
- 20-bit address bus allows direct access and branching throughout the entire memory range without paging.
- 16-bit data bus allows direct manipulation of word-wide arguments.
- Constant generator provides the six most often used immediate values and reduces code size.
- Direct memory-to-memory transfers without intermediate register holding
- Byte, word, and 20-bit address-word addressing

The block diagram of the MSP430X CPU is shown in [Figure 4-1](#).

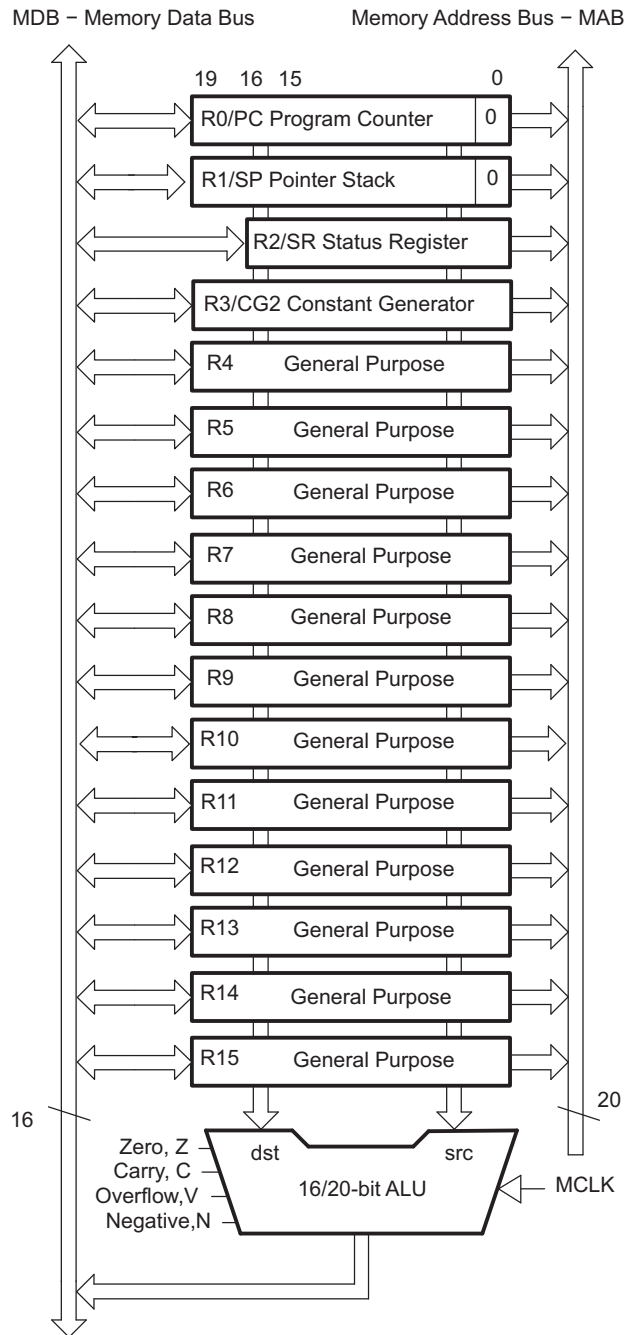


Figure 4-1. MSP430X CPU Block Diagram

4.2 Interrupts

The MSP430X has the following interrupt structure:

- Vectored interrupts with no polling necessary
- Interrupt vectors are located downward from address 0FFFEh.

The interrupt vectors contain 16-bit addresses that point into the lower 64KB memory. This means all interrupt handlers must start in the lower 64KB memory.

During an interrupt, the program counter (PC) and the status register (SR) are pushed onto the stack as shown in Figure 4-2. The MSP430X architecture stores the complete 20-bit PC value efficiently by appending the PC bits 19:16 to the stored SR value automatically on the stack. When the RETI instruction is executed, the full 20-bit PC is restored making return from interrupt to any address in the memory range possible.

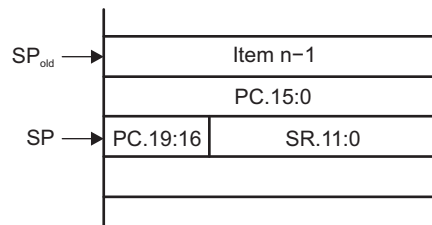


Figure 4-2. PC Storage on the Stack for Interrupts

4.3 CPU Registers

The CPU incorporates 16 registers (R0 through R15). Registers R0, R1, R2, and R3 have dedicated functions. Registers R4 through R15 are working registers for general use.

4.3.1 Program Counter (PC)

The 20-bit Program Counter (PC, also called R0) points to the next instruction to be executed. Each instruction uses an even number of bytes (2, 4, 6, or 8 bytes), and the PC is incremented accordingly. Instruction accesses are performed on word boundaries, and the PC is aligned to even addresses. Figure 4-3 shows the PC.

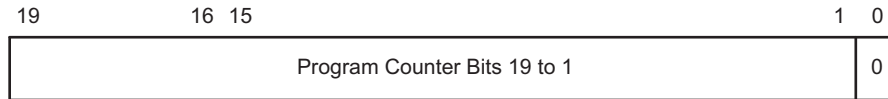


Figure 4-3. Program Counter

The PC can be addressed with all instructions and addressing modes. A few examples:

```
MOV.W #LABEL,PC ; Branch to address LABEL (lower 64KB)

MOVA #LABEL,PC ; Branch to address LABEL (1MB memory)

MOV.W LABEL,PC ; Branch to address in word LABEL
                ; (lower 64KB)

MOV.W @R14,PC ; Branch indirect to address in
                ; R14 (lower 64KB)

ADDA #4,PC ; Skip two words (1MB memory)
```

The BR and CALL instructions reset the upper four PC bits to 0. Only addresses in the lower 64KB address range can be reached with the BR or CALL instruction. When branching or calling, addresses beyond the lower 64KB range can only be reached using the BRA or CALLA instructions. Also, any instruction to directly modify the PC does so according to the used addressing mode. For example, MOV.W #value,PC clears the upper four bits of the PC, because it is a .W instruction.

The PC is automatically stored on the stack with CALL (or CALLA) instructions and during an interrupt service routine. Figure 4-4 shows the storage of the PC with the return address after a CALLA instruction. A CALL instruction stores only bits 15:0 of the PC.

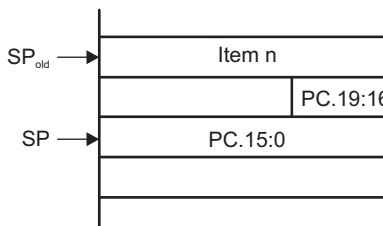


Figure 4-4. PC Storage on the Stack for CALLA

The RETA instruction restores bits 19:0 of the PC and adds 4 to the stack pointer (SP). The RET instruction restores bits 15:0 to the PC and adds 2 to the SP.

4.3.2 Stack Pointer (SP)

The 20-bit Stack Pointer (SP, also called R1) is used by the CPU to store the return addresses of subroutine calls and interrupts. It uses a predecrement, postincrement scheme. In addition, the SP can be used by software with all instructions and addressing modes. Figure 4-5 shows the SP. The SP is initialized into RAM by the user, and is always aligned to even addresses.

Figure 4-6 shows the stack usage. Figure 4-7 shows the stack usage when 20-bit address words are pushed.

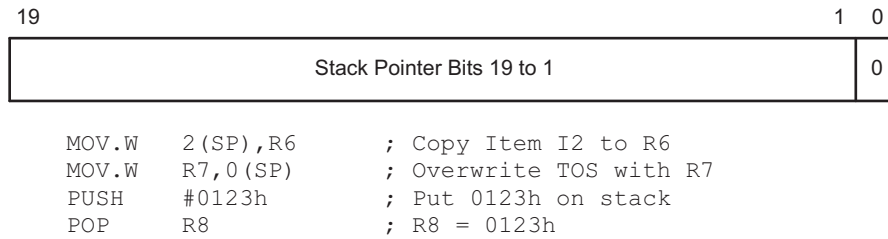


Figure 4-5. Stack Pointer

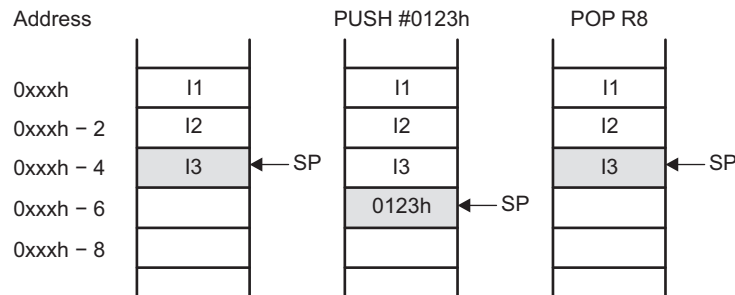


Figure 4-6. Stack Usage

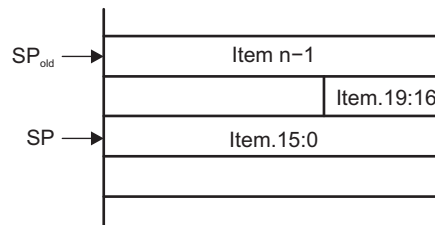


Figure 4-7. PUSHX.A Format on the Stack

The special cases of using the SP as an argument to the PUSH and POP instructions are described and shown in Figure 4-8.

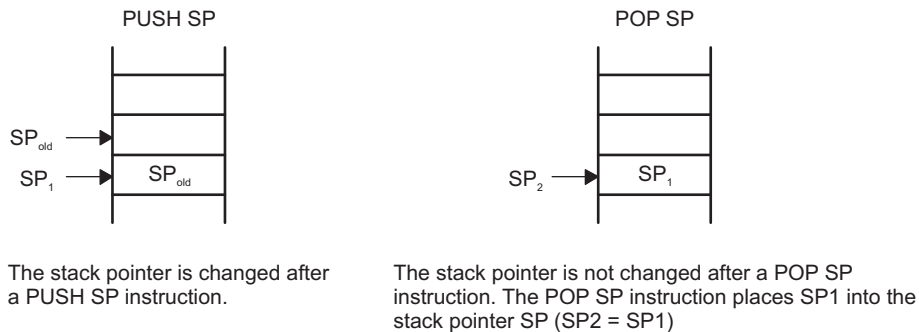


Figure 4-8. PUSH SP, POP SP Sequence

4.3.3 Status Register (SR)

The 16-bit Status Register (SR, also called R2), used as a source or destination register, can only be used in register mode addressed with word instructions. The remaining combinations of addressing modes are used to support the constant generator. Figure 4-9 shows the SR bits. Do not write 20-bit values to the SR. Unpredictable operation can result.

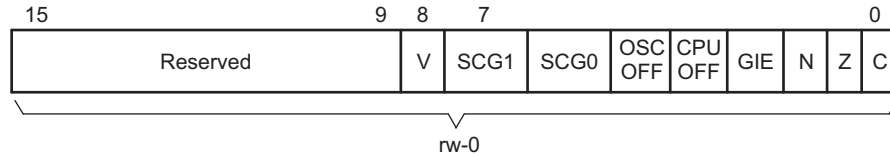


Figure 4-9. SR Bits

Table 4-1 describes the SR bits.

Table 4-1. SR Bit Description

Bit	Description
Reserved	Reserved
V	<p>Overflow. This bit is set when the result of an arithmetic operation overflows the signed-variable range.</p> <p>ADD(.B), ADDX(.B,.A), ADDC(.B), ADDCX(.B.A), ADDA</p> <p>Set when: positive + positive = negative negative + negative = positive otherwise reset</p> <p>SUB(.B), SUBX(.B,.A), SUBC(.B), SUBCX(.B,.A), SUBA, CMP(.B), CMPX(.B,.A), CMPA</p> <p>Set when: positive – negative = negative negative – positive = positive otherwise reset</p>
SCG1	System clock generator 1. This bit may be used to enable or disable functions in the clock system depending on the device family; for example, DCO bias enable or disable.
SCG0	System clock generator 0. This bit may be used to enable or disable functions in the clock system depending on the device family; for example, FLL enable or disable.
OSCOFF	Oscillator off. When this bit is set, it turns off the LFXT1 crystal oscillator when LFXT1CLK is not used for MCLK or SMCLK.
CPUOFF	CPU off. When this bit is set, it turns off the CPU.
GIE	General interrupt enable. When this bit is set, it enables maskable interrupts. When it is reset, all maskable interrupts are disabled.
N	Negative. This bit is set when the result of an operation is negative and cleared when the result is positive.
Z	Zero. This bit is set when the result of an operation is 0 and cleared when the result is not 0.
C	Carry. This bit is set when the result of an operation produced a carry and cleared when no carry occurred.

NOTE: Bit manipulations of the SR should be done by the following instructions: MOV, BIS, and BIC.

4.3.4 Constant Generator Registers (CG1 and CG2)

Six commonly-used constants are generated with the constant generator registers R2 (CG1) and R3 (CG2), without requiring an additional 16-bit word of program code. The constants are selected with the source register addressing modes (As), as described in [Table 4-2](#).

Table 4-2. Values of Constant Generators CG1, CG2

Register	As	Constant	Remarks
R2	00	–	Register mode
R2	01	(0)	Absolute address mode
R2	10	00004h	+4, bit processing
R2	11	00008h	+8, bit processing
R3	00	00000h	0, word processing
R3	01	00001h	+1
R3	10	00002h	+2, bit processing
R3	11	FFh, FFFFh, FFFFFh	–1, word processing

The constant generator advantages are:

- No special instructions required
- No additional code word for the six constants
- No code memory access required to retrieve the constant

The assembler uses the constant generator automatically if one of the six constants is used as an immediate source operand. Registers R2 and R3, used in the constant mode, cannot be addressed explicitly; they act as source-only registers.

4.3.4.1 Constant Generator – Expanded Instruction Set

The RISC instruction set of the MSP430 has only 27 instructions. However, the constant generator allows the MSP430 assembler to support 24 additional emulated instructions. For example, the single-operand instruction:

```
CLR dst
```

is emulated by the double-operand instruction with the same length:

```
MOV R3, dst
```

where the #0 is replaced by the assembler, and R3 is used with As = 00.

```
INC dst
```

is replaced by:

```
ADD #1, dst
```

4.3.5 General-Purpose Registers (R4 to R15)

The 12 CPU registers (R4 to R15) contain 8-bit, 16-bit, or 20-bit values. Any byte-write to a CPU register clears bits 19:8. Any word-write to a register clears bits 19:16. The only exception is the SXT instruction. The SXT instruction extends the sign through the complete 20-bit register.

Figure 4-10 through Figure 4-14 show the handling of byte, word, and address-word data. Note the reset of the leading most significant bits (MSBs) if a register is the destination of a byte or word instruction.

Figure 4-10 shows byte handling (8-bit data, .B suffix). The handling is shown for a source register and a destination memory byte and for a source memory byte and a destination register.

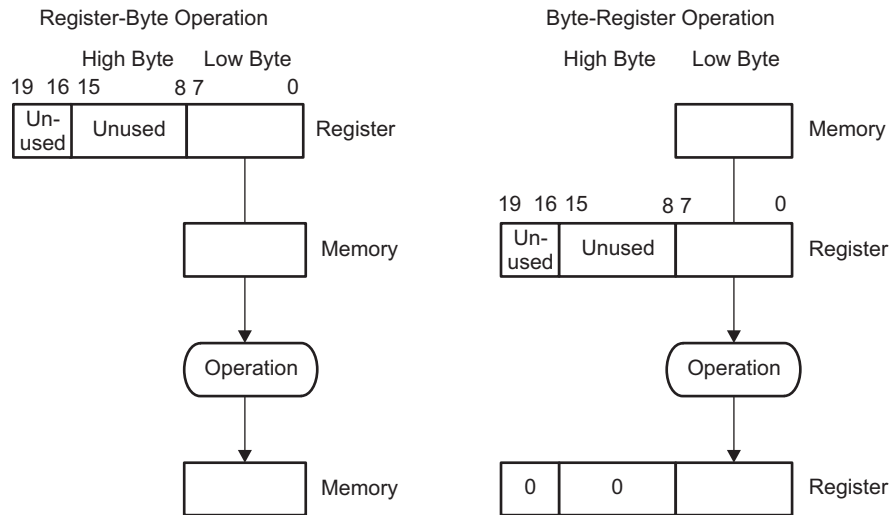


Figure 4-10. Register-Byte and Byte-Register Operation

Figure 4-11 and Figure 4-12 show 16-bit word handling (.W suffix). The handling is shown for a source register and a destination memory word and for a source memory word and a destination register.

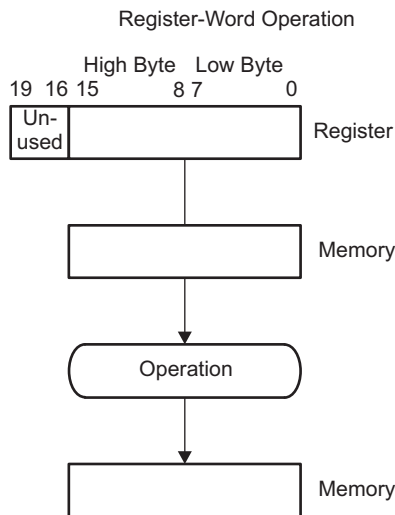


Figure 4-11. Register-Word Operation

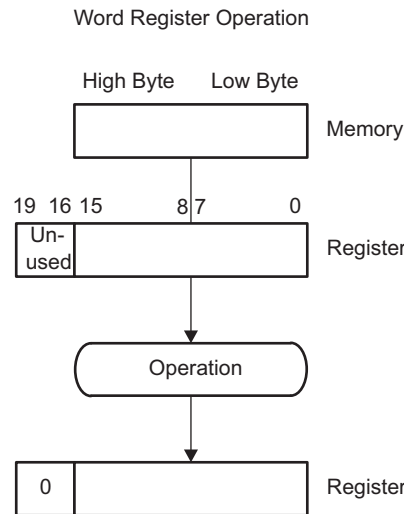


Figure 4-12. Word-Register Operation

Figure 4-13 and Figure 4-14 show 20-bit address-word handling (.A suffix). The handling is shown for a source register and a destination memory address-word and for a source memory address-word and a destination register.

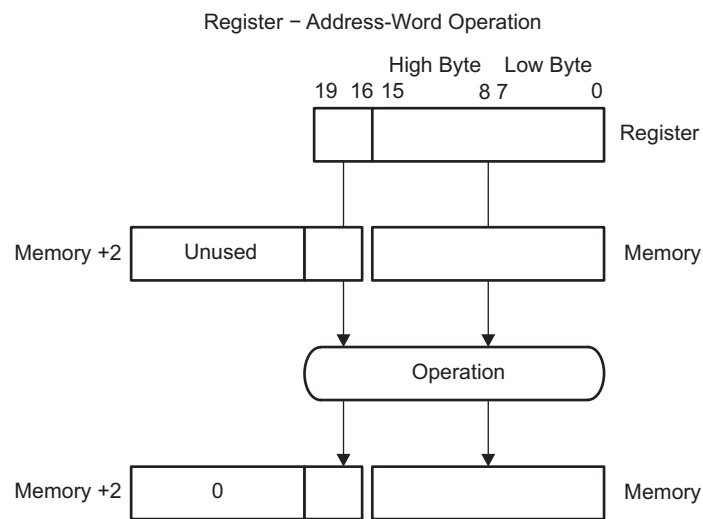


Figure 4-13. Register – Address-Word Operation

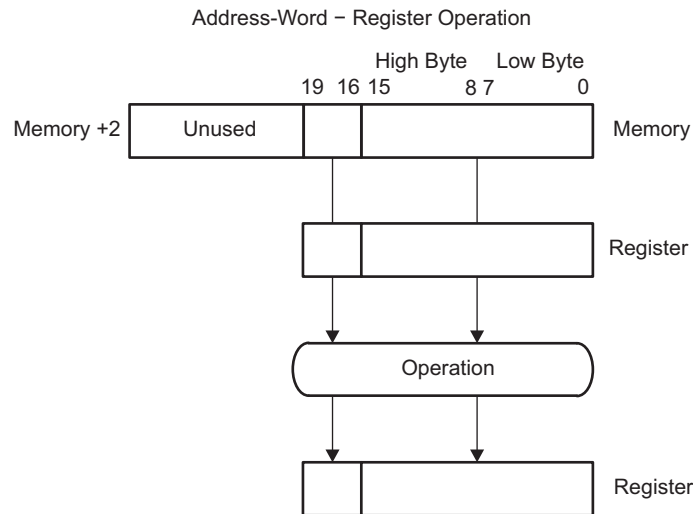


Figure 4-14. Address-Word – Register Operation

4.4 Addressing Modes

Seven addressing modes for the source operand and four addressing modes for the destination operand use 16-bit or 20-bit addresses (see Table 4-3). The MSP430 and MSP430X instructions are usable throughout the entire 1MB memory range.

Table 4-3. Source and Destination Addressing

As, Ad	Addressing Mode	Syntax	Description
00, 0	Register	Rn	Register contents are operand.
01, 1	Indexed	X(Rn)	(Rn + X) points to the operand. X is stored in the next word, or stored in combination of the preceding extension word and the next word.
01, 1	Symbolic	ADDR	(PC + X) points to the operand. X is stored in the next word, or stored in combination of the preceding extension word and the next word. Indexed mode X(PC) is used.
01, 1	Absolute	&ADDR	The word following the instruction contains the absolute address. X is stored in the next word, or stored in combination of the preceding extension word and the next word. Indexed mode X(SR) is used.
10, –	Indirect Register	@Rn	Rn is used as a pointer to the operand.
11, –	Indirect Autoincrement	@Rn+	Rn is used as a pointer to the operand. Rn is incremented afterwards by 1 for .B instructions, by 2 for .W instructions, and by 4 for .A instructions.
11, –	Immediate	#N	N is stored in the next word, or stored in combination of the preceding extension word and the next word. Indirect autoincrement mode @PC+ is used.

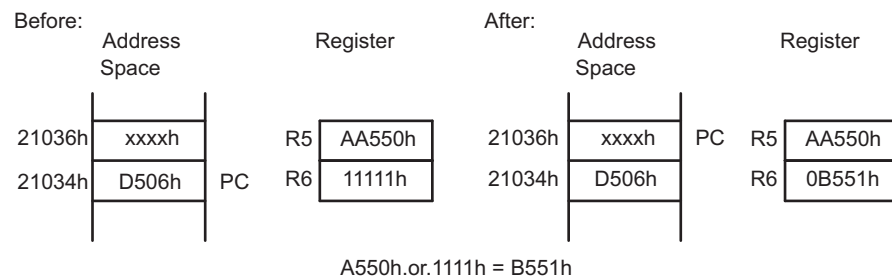
The seven addressing modes are explained in detail in the following sections. Most of the examples show the same addressing mode for the source and destination, but any valid combination of source and destination addressing modes is possible in an instruction.

NOTE: Use of Labels EDE, TONI, TOM, and LEO

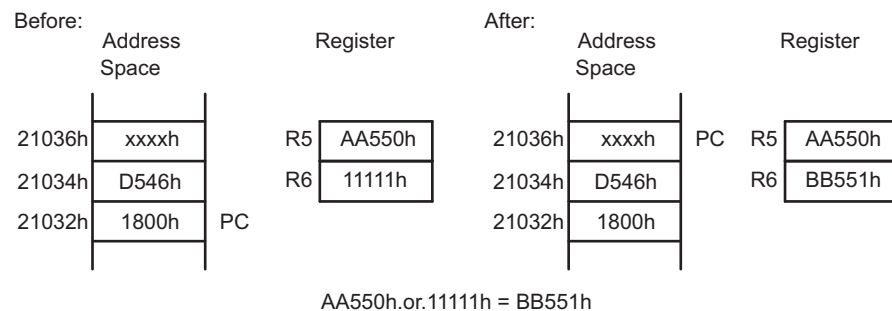
Throughout MSP430 documentation, EDE, TONI, TOM, and LEO are used as generic labels. They are only labels and have no special meaning.

4.4.1 Register Mode

- Operation:** The operand is the 8-, 16-, or 20-bit content of the used CPU register.
Length: One, two, or three words
Comment: Valid for source and destination
Byte operation: Byte operation reads only the eight least significant bits (LSBs) of the source register Rsrc and writes the result to the eight LSBs of the destination register Rdst. The bits Rdst.19:8 are cleared. The register Rsrc is not modified.
Word operation: Word operation reads the 16 LSBs of the source register Rsrc and writes the result to the 16 LSBs of the destination register Rdst. The bits Rdst.19:16 are cleared. The register Rsrc is not modified.
Address-word operation: Address-word operation reads the 20 bits of the source register Rsrc and writes the result to the 20 bits of the destination register Rdst. The register Rsrc is not modified
SXT exception: The SXT instruction is the only exception for register operation. The sign of the low byte in bit 7 is extended to the bits Rdst.19:8.
Example: `BIS.W R5,R6 ;`
 This instruction logically ORs the 16-bit data contained in R5 with the 16-bit contents of R6. R6.19:16 is cleared.



- Example:** `BISX.A R5,R6 ;`
 This instruction logically ORs the 20-bit data contained in R5 with the 20-bit contents of R6.
 The extension word contains the A/L bit for 20-bit data. The instruction word uses byte mode with bits A/L:B/W = 01. The result of the instruction is:



4.4.2 Indexed Mode

The Indexed mode calculates the address of the operand by adding the signed index to a CPU register. The Indexed mode has four addressing possibilities:

- MSP430 instruction with Indexed mode in lower 64KB memory (see Section 4.4.2.1)
- MSP430 instruction with Indexed mode addressing memory above the lower 64KB memory (see Section 4.4.2.2)
- MSP430X instruction with Indexed mode (see Section 4.4.2.3)
- MSP430X address instructions with Indexed mode (see Section 4.4.2.4)

4.4.2.1 MSP430 Instruction With Indexed Mode in Lower 64KB Memory

If the CPU register Rn points to an address in the lower 64KB of the memory range, the calculated memory address bits 19:16 are cleared after the addition of the CPU register Rn and the signed 16-bit index. This means the calculated memory address is always located in the lower 64KB and does not overflow or underflow out of the lower 64KB memory space. The RAM and the peripheral registers can be accessed this way and existing MSP430 software is usable without modifications as shown in Figure 4-15.

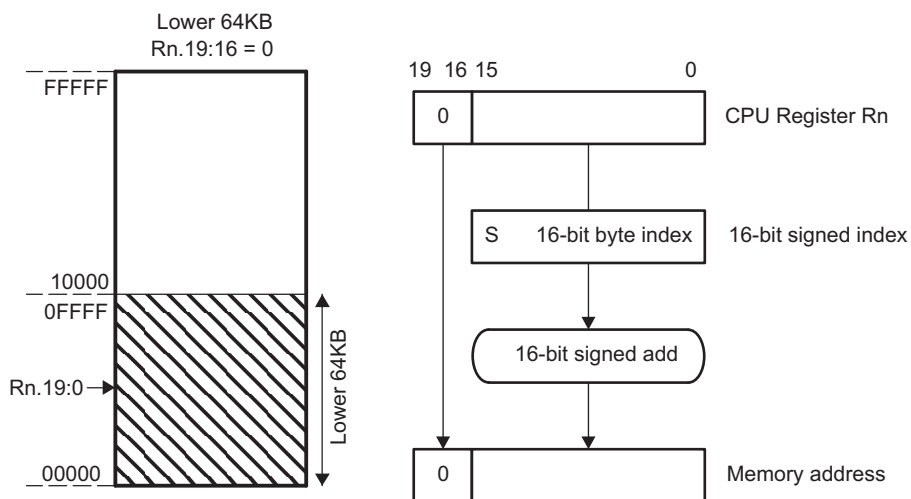
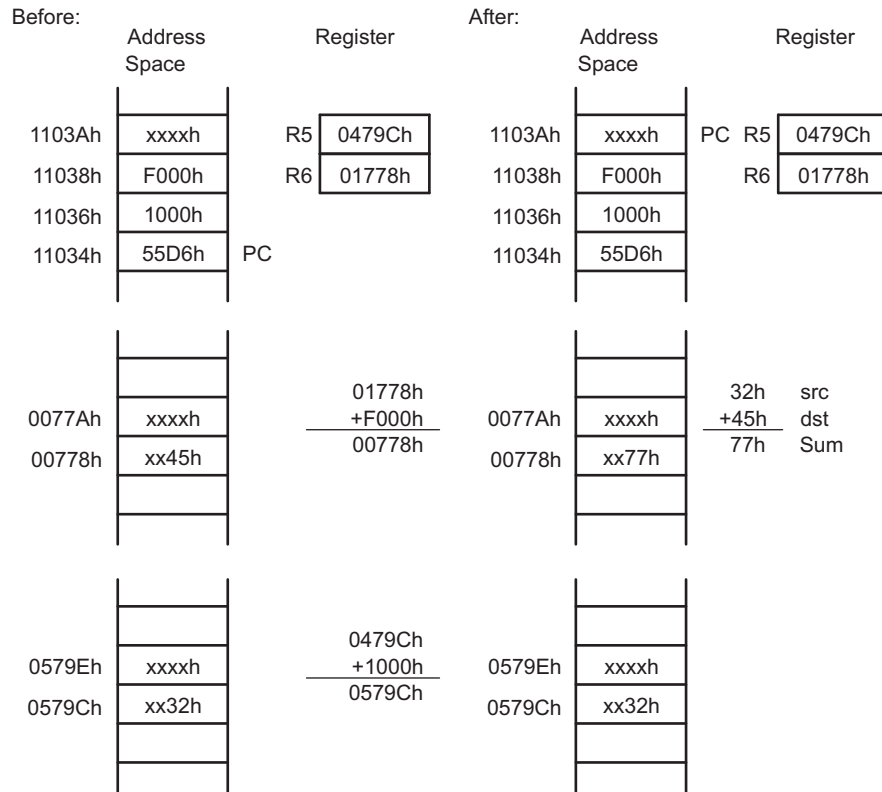


Figure 4-15. Indexed Mode in Lower 64KB

- Length: Two or three words
- Operation: The signed 16-bit index is located in the next word after the instruction and is added to the CPU register Rn. The resulting bits 19:16 are cleared giving a truncated 16-bit memory address, which points to an operand address in the range 00000h to 0FFFFh. The operand is the content of the addressed memory location.
- Comment: Valid for source and destination. The assembler calculates the register index and inserts it.
- Example: `ADD.B 1000h(R5), 0F000h(R6);`
 This instruction adds the 8-bit data contained in source byte 1000h(R5) and the destination byte 0F000h(R6) and places the result into the destination byte. Source and destination bytes are both located in the lower 64KB due to the cleared bits 19:16 of registers R5 and R6.
- Source: The byte pointed to by R5 + 1000h results in address 0479Ch + 1000h = 0579Ch after truncation to a 16-bit address.
- Destination: The byte pointed to by R6 + F000h results in address 01778h + F000h = 00778h after truncation to a 16-bit address.



4.4.2.2 MSP430 Instruction With Indexed Mode in Upper Memory

If the CPU register Rn points to an address above the lower 64KB memory, the Rn bits 19:16 are used for the address calculation of the operand. The operand may be located in memory in the range $Rn \pm 32KB$, because the index, X, is a signed 16-bit value. In this case, the address of the operand can overflow or underflow into the lower 64KB memory space (see Figure 4-16 and Figure 4-17).

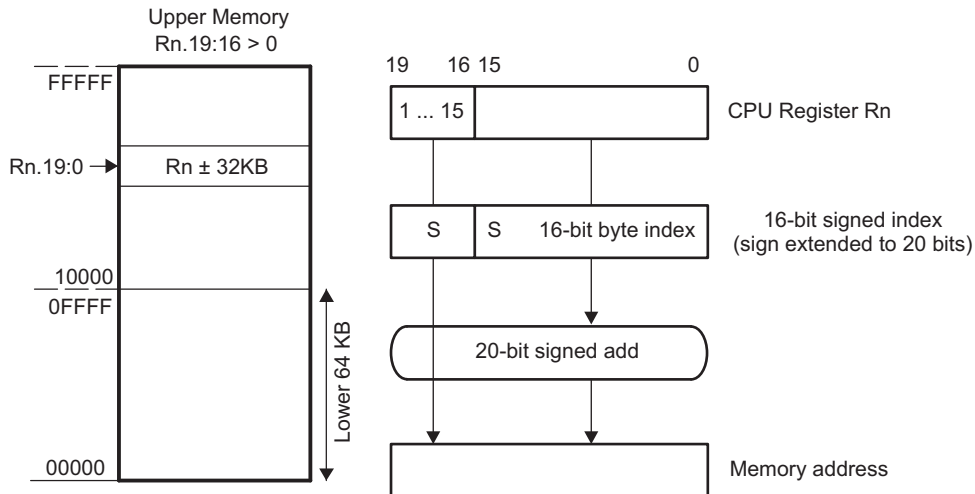


Figure 4-16. Indexed Mode in Upper Memory

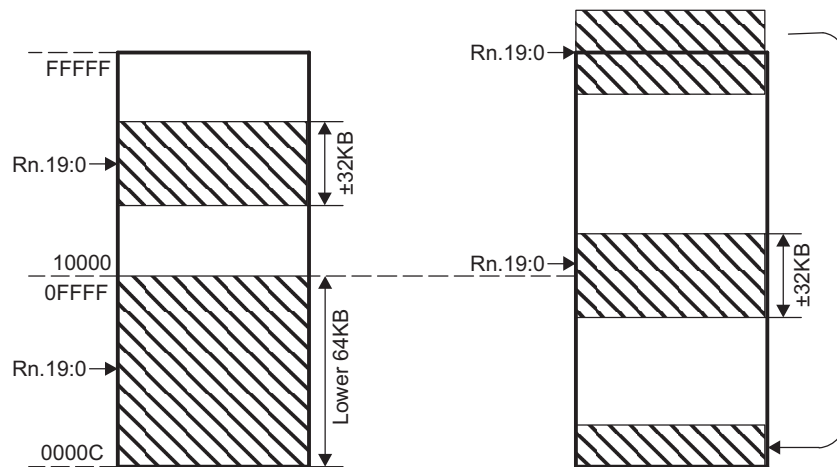
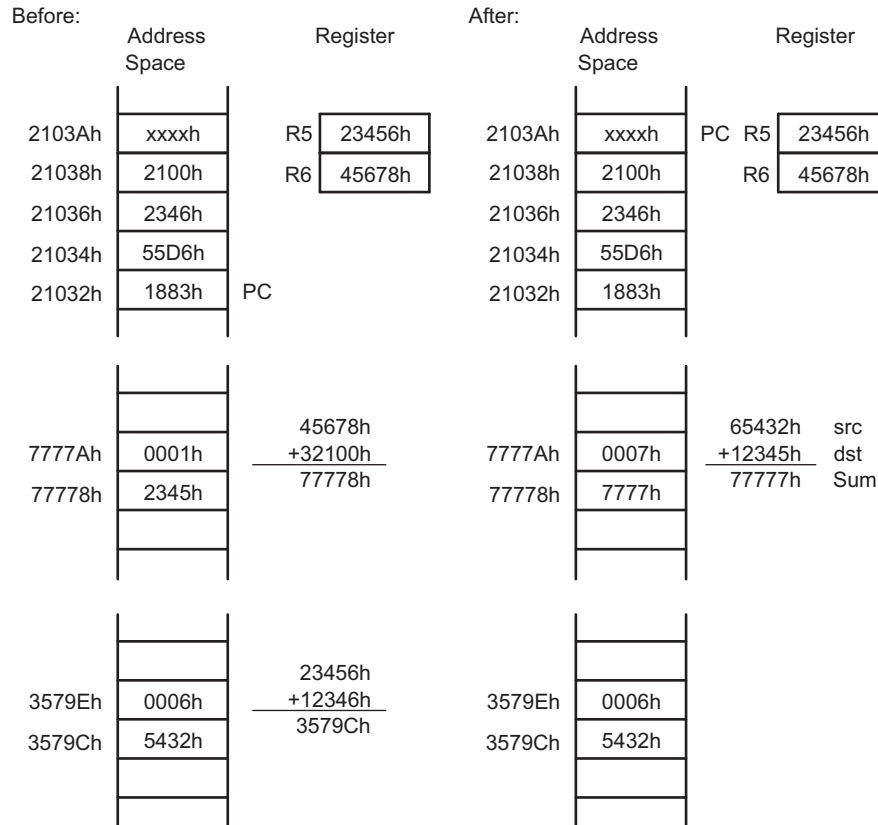


Figure 4-17. Overflow and Underflow for Indexed Mode

- Length: Two or three words
- Operation: The sign-extended 16-bit index in the next word after the instruction is added to the 20 bits of the CPU register Rn. This delivers a 20-bit address, which points to an address in the range 0 to FFFFFh. The operand is the content of the addressed memory location.
- Comment: Valid for source and destination. The assembler calculates the register index and inserts it.
- Example: `ADD.W 8346h(R5), 2100h(R6) ;`
This instruction adds the 16-bit data contained in the source and the destination addresses and places the 16-bit result into the destination. Source and destination operand can be located in the entire address range.
- Source: The word pointed to by $R5 + 8346h$. The negative index 8346h is sign extended, which results in address $23456h + F8346h = 1B79Ch$.
- Destination: The word pointed to by $R6 + 2100h$ results in address $15678h + 2100h = 17778h$.

The extension word contains the MSBs of the source index and of the destination index and the A/L bit for 20-bit data. The instruction word uses byte mode due to the 20-bit data length with bits A/L:B/W = 01.



4.4.2.4 MSP430X Address Instructions With Indexed Mode

When using an MSP430X Address Instruction with Indexed mode, the operand is located in memory in the range $R_n \pm 32KB$, because the index, X, is a signed 16-bit value.

Length: Two words

Operation: The sign-extended 16-bit index in the next word after the instruction is added to the 20 bits of the CPU register R_n . This delivers a 20-bit address, which points to an address in the range 0 to FFFFh. The operand is the content of the addressed memory location.

Comment: Valid for source and destination. The assembler calculates the register index and inserts it.

Example: `MOVA 8002h(R5),R6 ; // R5 = 0x100`

This instruction loads the 20-bit data contained in the source address into destination register.

Source: Two words pointed to by $R5 + 8002h$ and $R5 + 8002h + 2h$ which results in address $00100h + F8002h (+2h) = F8102h$ and $F8104h$.

Destination: Register R6

4.4.3 Symbolic Mode

The Symbolic mode calculates the address of the operand by adding the signed index to the PC. The Symbolic mode has three addressing possibilities:

- Symbolic mode in lower 64KB of memory
- MSP430 instruction with Symbolic mode addressing memory above the lower 64KB of memory.
- MSP430X instruction with Symbolic mode

4.4.3.1 Symbolic Mode in Lower 64KB

If the PC points to an address in the lower 64KB of the memory range, the calculated memory address bits 19:16 are cleared after the addition of the PC and the signed 16-bit index. This means the calculated memory address is always located in the lower 64KB and does not overflow or underflow out of the lower 64KB memory space. The RAM and the peripheral registers can be accessed this way and existing MSP430 software is usable without modifications as shown in [Figure 4-19](#).

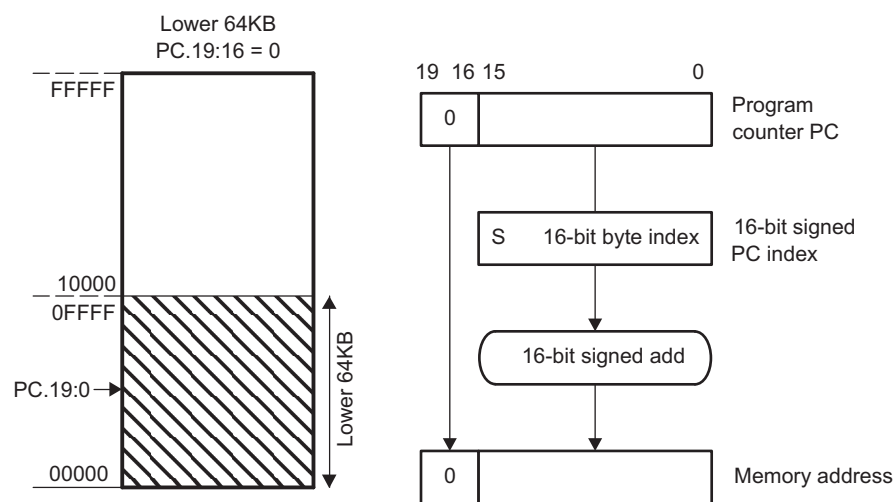
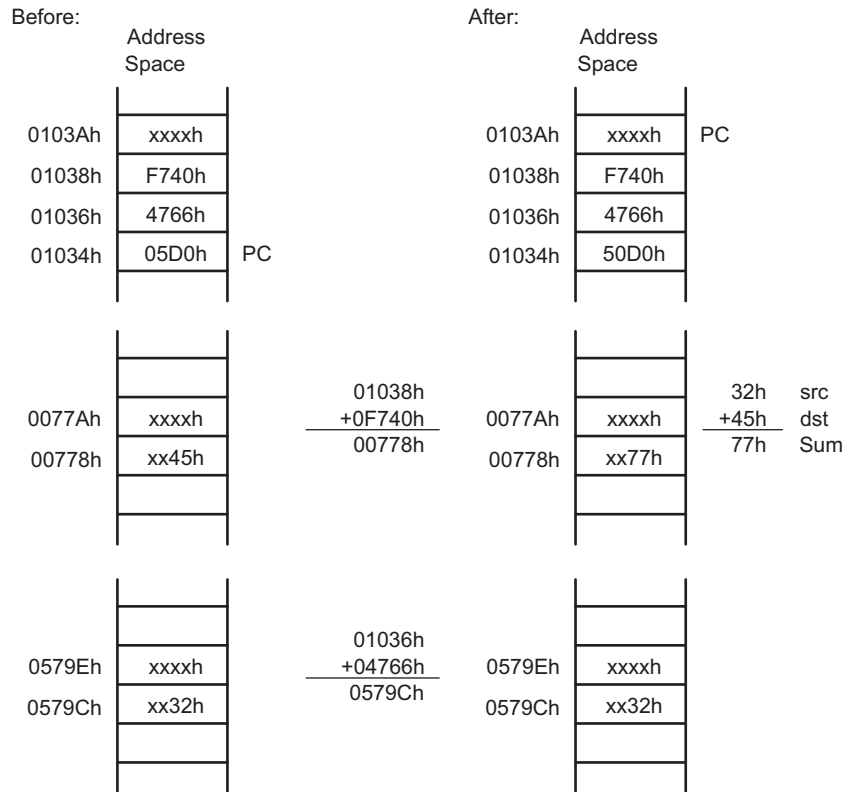


Figure 4-19. Symbolic Mode Running in Lower 64KB

Operation:	The signed 16-bit index in the next word after the instruction is added temporarily to the PC. The resulting bits 19:16 are cleared giving a truncated 16-bit memory address, which points to an operand address in the range 00000h to 0FFFFh. The operand is the content of the addressed memory location.
Length:	Two or three words
Comment:	Valid for source and destination. The assembler calculates the PC index and inserts it.
Example:	<code>ADD.B EDE, TONI ;</code> This instruction adds the 8-bit data contained in source byte EDE and destination byte TONI and places the result into the destination byte TONI. Bytes EDE and TONI and the program are located in the lower 64KB.
Source:	Byte EDE located at address 0579Ch, pointed to by PC + 4766h, where the PC index 4766h is the result of 0579Ch – 01036h = 04766h. Address 01036h is the location of the index for this example.
Destination:	Byte TONI located at address 00778h, pointed to by PC + F740h, is the truncated 16-bit result of 00778h – 1038h = FF740h. Address 01038h is the location of the index for this example.



4.4.3.2 MSP430 Instruction With Symbolic Mode in Upper Memory

If the PC points to an address above the lower 64KB memory, the PC bits 19:16 are used for the address calculation of the operand. The operand may be located in memory in the range PC ± 32KB, because the index, X, is a signed 16-bit value. In this case, the address of the operand can overflow or underflow into the lower 64KB memory space as shown in Figure 4-20 and Figure 4-21.

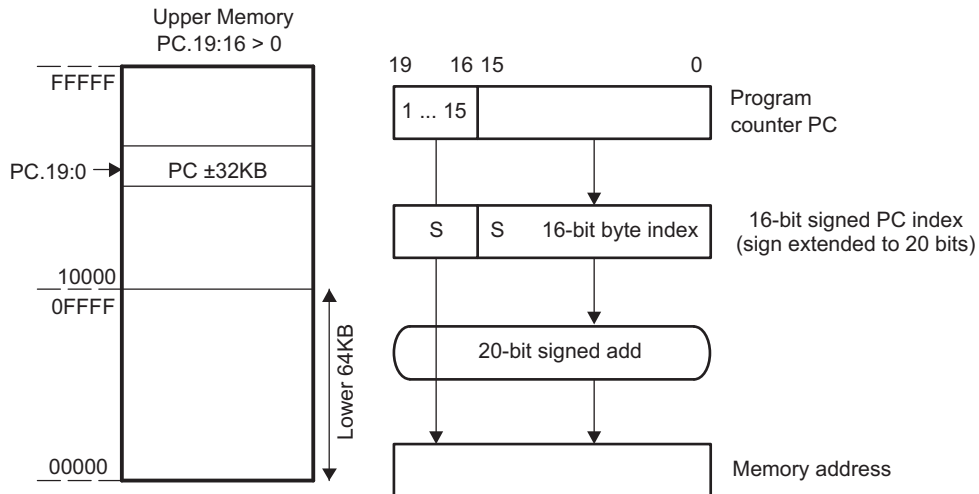


Figure 4-20. Symbolic Mode Running in Upper Memory

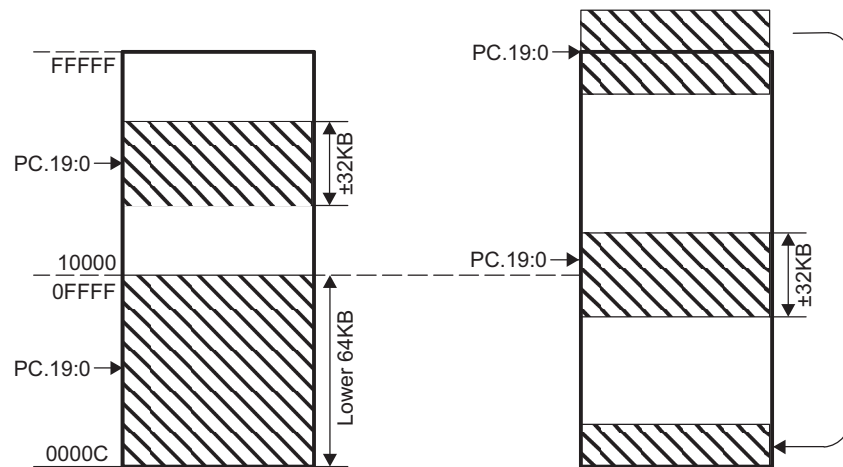
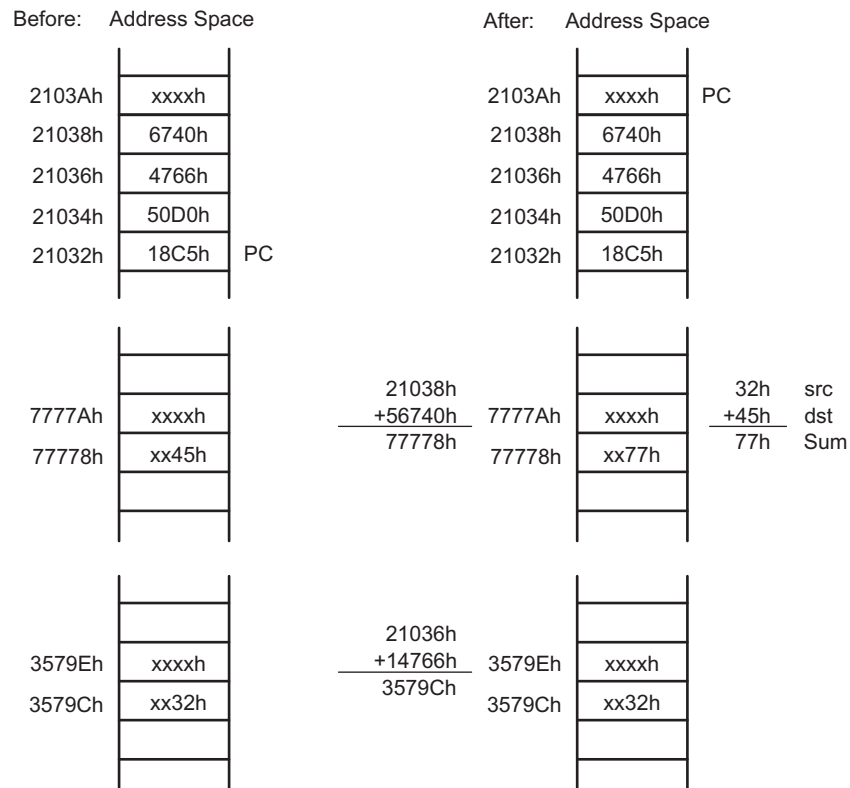


Figure 4-21. Overflow and Underflow for Symbolic Mode

Length:	Two or three words
Operation:	The sign-extended 16-bit index in the next word after the instruction is added to the 20 bits of the PC. This delivers a 20-bit address, which points to an address in the range 0 to FFFFFh. The operand is the content of the addressed memory location.
Comment:	Valid for source and destination. The assembler calculates the PC index and inserts it
Example:	<pre>ADD.W EDE, &TONI ;</pre> <p>This instruction adds the 16-bit data contained in source word EDE and destination word TONI and places the 16-bit result into the destination word TONI. For this example, the instruction is located at address 2F034h.</p>
Source:	Word EDE at address 3379Ch, pointed to by PC + 4766h, which is the 16-bit result of 3379Ch – 2F036h = 04766h. Address 2F036h is the location of the index for this example.
Destination:	Word TONI located at address 00778h pointed to by the absolute address 00778h



4.4.4 Absolute Mode

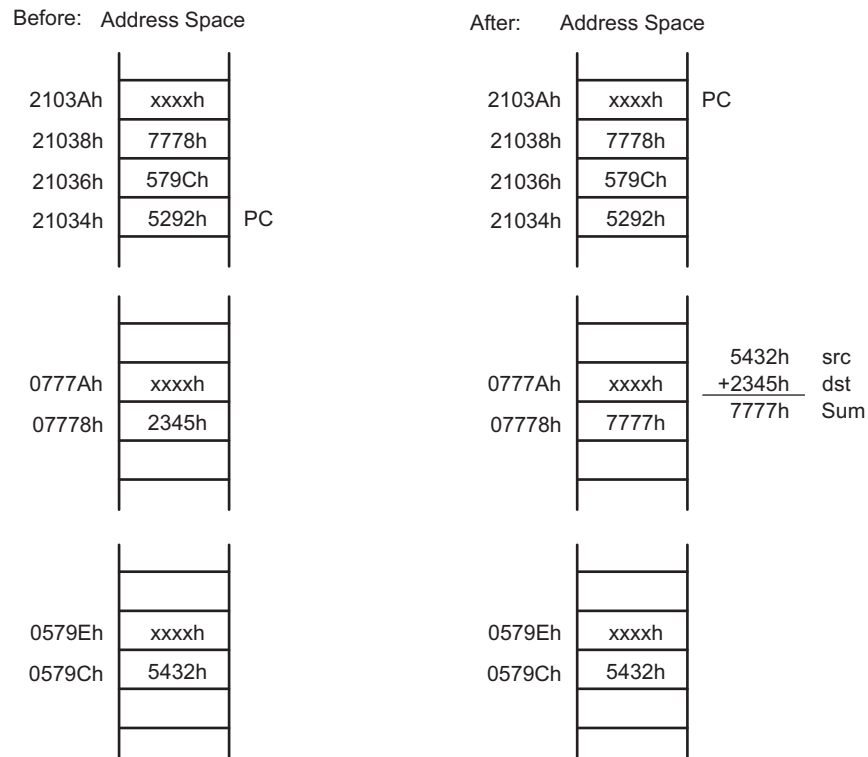
The Absolute mode uses the contents of the word following the instruction as the address of the operand. The Absolute mode has two addressing possibilities:

- Absolute mode in lower 64KB memory
- MSP430X instruction with Absolute mode

4.4.4.1 Absolute Mode in Lower 64KB

If an MSP430 instruction is used with Absolute addressing mode, the absolute address is a 16-bit value and, therefore, points to an address in the lower 64KB of the memory range. The address is calculated as an index from 0 and is stored in the word following the instruction. The RAM and the peripheral registers can be accessed this way and existing MSP430 software is usable without modifications.

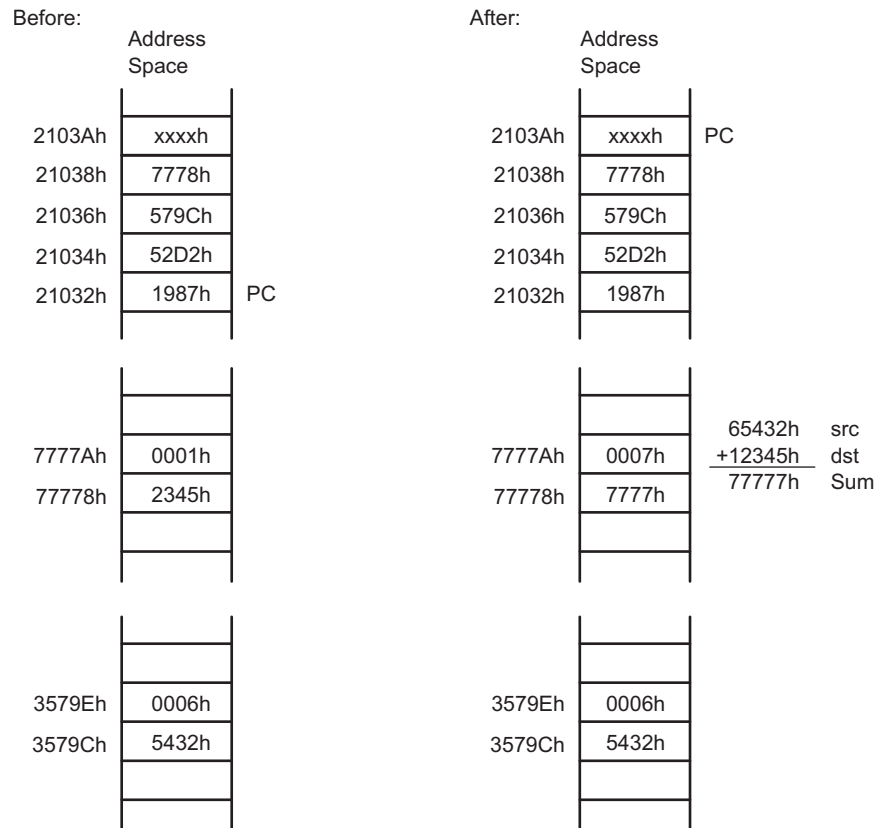
Length:	Two or three words
Operation:	The operand is the content of the addressed memory location.
Comment:	Valid for source and destination. The assembler calculates the index from 0 and inserts it.
Example:	<pre>ADD.W &EDE, &TONI ;</pre> <p>This instruction adds the 16-bit data contained in the absolute source and destination addresses and places the result into the destination.</p>
Source:	Word at address EDE
Destination:	Word at address TONI



4.4.4.2 MSP430X Instruction With Absolute Mode

If an MSP430X instruction is used with Absolute addressing mode, the absolute address is a 20-bit value and, therefore, points to any address in the memory range. The address value is calculated as an index from 0. The 4 MSBs of the index are contained in the extension word, and the 16 LSBs are contained in the word following the instruction.

- Length: Three or four words
- Operation: The operand is the content of the addressed memory location.
- Comment: Valid for source and destination. The assembler calculates the index from 0 and inserts it.
- Example: `ADDX.A &EDE, &TONI ;`
This instruction adds the 20-bit data contained in the absolute source and destination addresses and places the result into the destination.
- Source: Two words beginning with address EDE
- Destination: Two words beginning with address TONI



4.4.5 Indirect Register Mode

The Indirect Register mode uses the contents of the CPU register Rsrc as the source operand. The Indirect Register mode always uses a 20-bit address.

Length: One, two, or three words

Operation: The operand is the content the addressed memory location. The source register Rsrc is not modified.

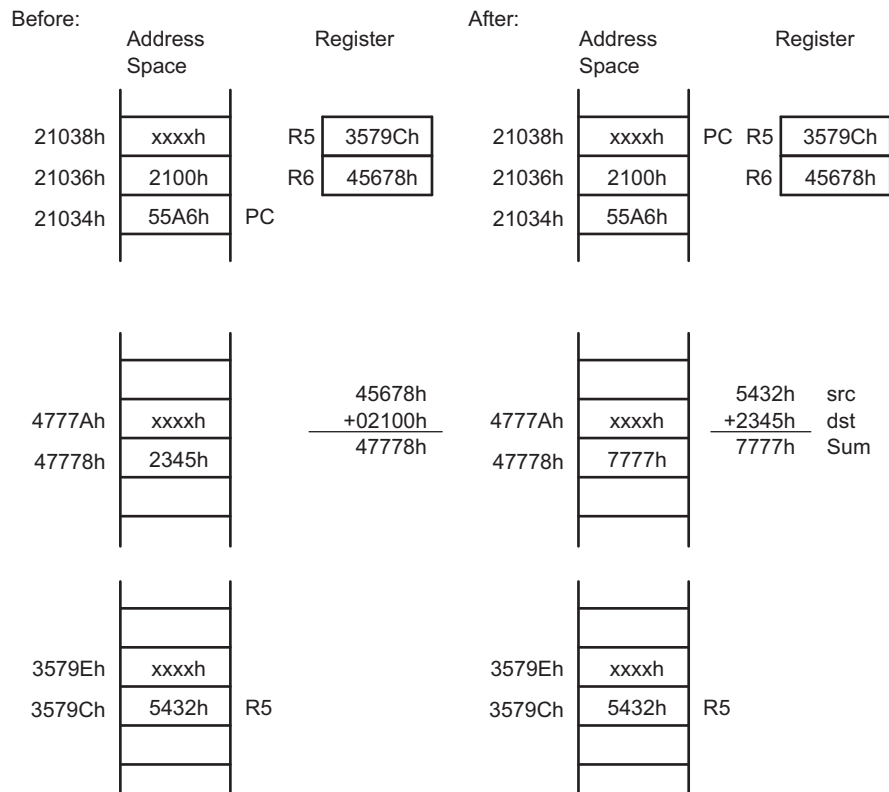
Comment: Valid only for the source operand. The substitute for the destination operand is 0(Rdst).

Example: `ADDX.W @R5, 2100h(R6)`

This instruction adds the two 16-bit operands contained in the source and the destination addresses and places the result into the destination.

Source: Word pointed to by R5. R5 contains address 3579Ch for this example.

Destination: Word pointed to by R6 + 2100h, which results in address 45678h + 2100h = 7778h



4.4.6 Indirect Autoincrement Mode

The Indirect Autoincrement mode uses the contents of the CPU register Rsrc as the source operand. Rsrc is then automatically incremented by 1 for byte instructions, by 2 for word instructions, and by 4 for address-word instructions immediately after accessing the source operand. If the same register is used for source and destination, it contains the incremented address for the destination access. Indirect Autoincrement mode always uses 20-bit addresses.

Length: One, two, or three words

Operation: The operand is the content of the addressed memory location.

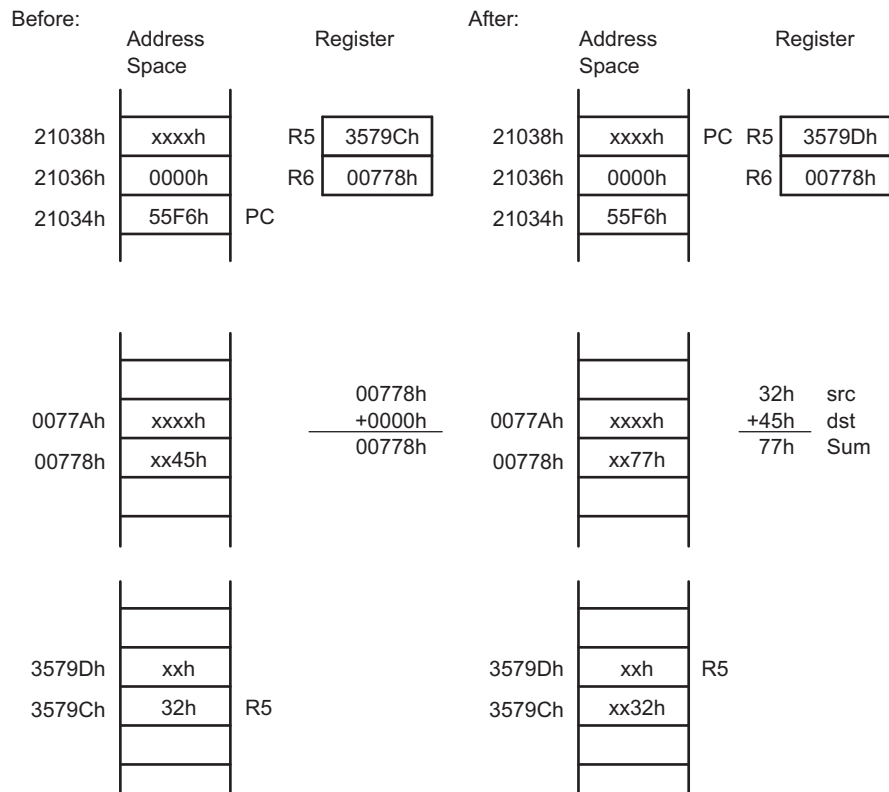
Comment: Valid only for the source operand

Example: `ADD.B @R5+,0(R6)`

This instruction adds the 8-bit data contained in the source and the destination addresses and places the result into the destination.

Source: Byte pointed to by R5. R5 contains address 3579Ch for this example.

Destination: Byte pointed to by R6 + 0h, which results in address 0778h for this example



4.4.7 Immediate Mode

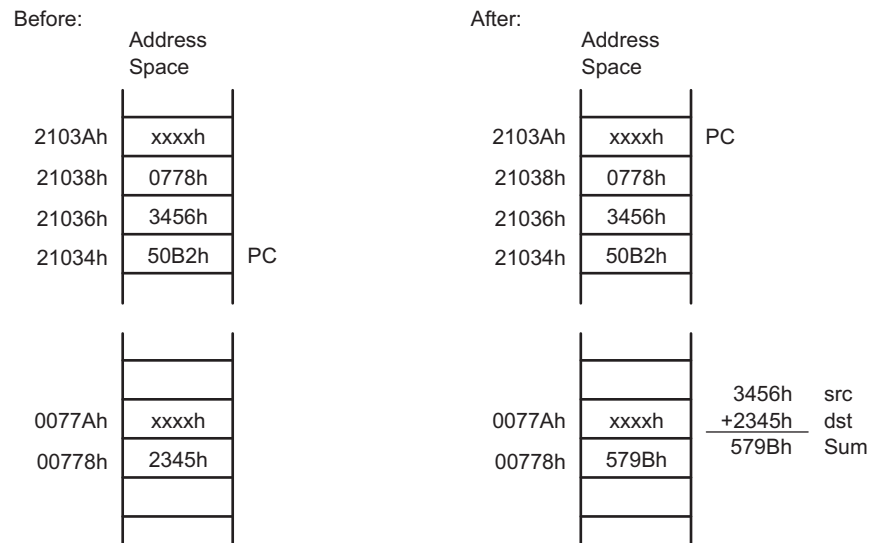
The Immediate mode allows accessing constants as operands by including the constant in the memory location following the instruction. The PC is used with the Indirect Autoincrement mode. The PC points to the immediate value contained in the next word. After the fetching of the immediate operand, the PC is incremented by 2 for byte, word, or address-word instructions. The Immediate mode has two addressing possibilities:

- 8-bit or 16-bit constants with MSP430 instructions
- 20-bit constants with MSP430X instruction

4.4.7.1 MSP430 Instructions With Immediate Mode

If an MSP430 instruction is used with Immediate addressing mode, the constant is an 8- or 16-bit value and is stored in the word following the instruction.

Length:	Two or three words. One word less if a constant of the constant generator can be used for the immediate operand.
Operation:	The 16-bit immediate source operand is used together with the 16-bit destination operand.
Comment:	Valid only for the source operand
Example:	ADD #3456h, &TONI This instruction adds the 16-bit immediate operand 3456h to the data in the destination address TONI.
Source:	16-bit immediate value 3456h
Destination:	Word at address TONI



4.4.7.2 MSP430X Instructions With Immediate Mode

If an MSP430X instruction is used with Immediate addressing mode, the constant is a 20-bit value. The 4 MSBs of the constant are stored in the extension word, and the 16 LSBs of the constant are stored in the word following the instruction.

Length:	Three or four words. One word less if a constant of the constant generator can be used for the immediate operand.
Operation:	The 20-bit immediate source operand is used together with the 20-bit destination operand.
Comment:	Valid only for the source operand
Example:	<p>ADDX.A #23456h, &TONI ;</p> <p>This instruction adds the 20-bit immediate operand 23456h to the data in the destination address TONI.</p>
Source:	20-bit immediate value 23456h
Destination:	Two words beginning with address TONI

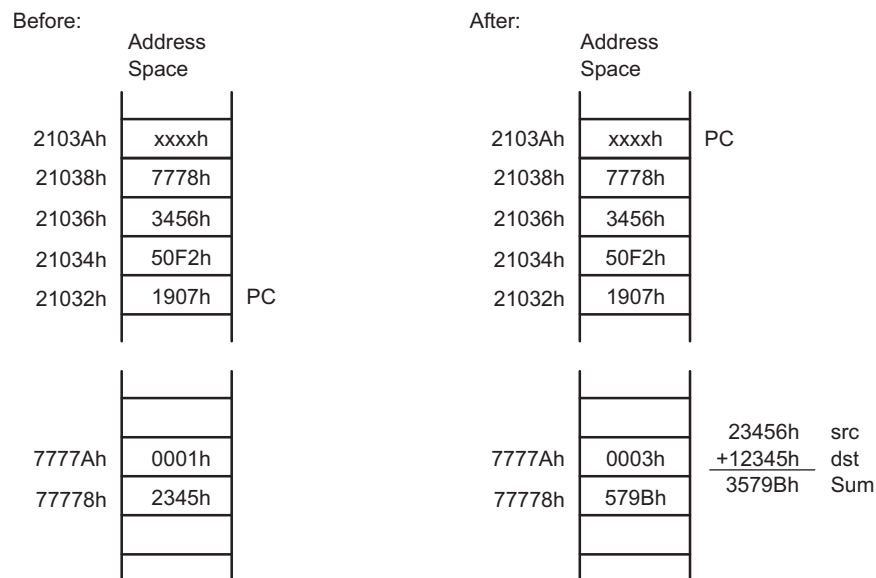


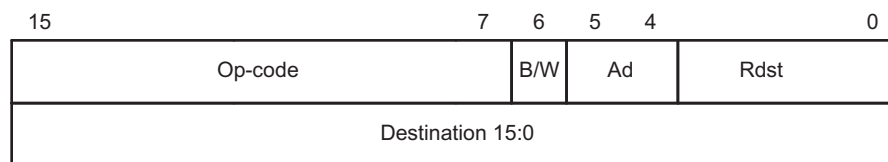
Table 4-4. MSP430 Double-Operand Instructions

Mnemonic	S-Reg, D-Reg	Operation	Status Bits ⁽¹⁾			
			V	N	Z	C
MOV (.B)	src,dst	src → dst	–	–	–	–
ADD (.B)	src,dst	src + dst → dst	*	*	*	*
ADDC (.B)	src,dst	src + dst + C → dst	*	*	*	*
SUB (.B)	src,dst	dst + .not.src + 1 → dst	*	*	*	*
SUBC (.B)	src,dst	dst + .not.src + C → dst	*	*	*	*
CMP (.B)	src,dst	dst - src	*	*	*	*
DADD (.B)	src,dst	src + dst + C → dst (decimally)	*	*	*	*
BIT (.B)	src,dst	src .and. dst	0	*	*	Z
BIC (.B)	src,dst	.not.src .and. dst → dst	–	–	–	–
BIS (.B)	src,dst	src .or. dst → dst	–	–	–	–
XOR (.B)	src,dst	src .xor. dst → dst	*	*	*	Z
AND (.B)	src,dst	src .and. dst → dst	0	*	*	Z

⁽¹⁾ * = Status bit is affected.
 – = Status bit is not affected.
 0 = Status bit is cleared.
 1 = Status bit is set.

4.5.1.2 MSP430 Single-Operand (Format II) Instructions

Figure 4-23 shows the format for MSP430 single-operand instructions, except RETI. The destination word is appended for the Indexed, Symbolic, Absolute, and Immediate modes. Table 4-5 lists the seven single-operand instructions.

**Figure 4-23. MSP430 Single-Operand Instructions****Table 4-5. MSP430 Single-Operand Instructions**

Mnemonic	S-Reg, D-Reg	Operation	Status Bits ⁽¹⁾			
			V	N	Z	C
RRC (.B)	dst	C → MSB →.....LSB → C	0	*	*	*
RRA (.B)	dst	MSB → MSB →....LSB → C	0	*	*	*
PUSH (.B)	src	SP - 2 → SP, src → SP	–	–	–	–
SWPB	dst	bit 15...bit 8 ↔ bit 7...bit 0	–	–	–	–
CALL	dst	Call subroutine in lower 64KB	–	–	–	–
RETI		TOS → SR, SP + 2 → SP TOS → PC, SP + 2 → SP	*	*	*	*
SXT	dst	Register mode: bit 7 → bit 8...bit 19 Other modes: bit 7 → bit 8...bit 15	0	*	*	Z

⁽¹⁾ * = Status bit is affected.
 – = Status bit is not affected.
 0 = Status bit is cleared.
 1 = Status bit is set.

4.5.1.3 Jump Instructions

Figure 4-24 shows the format for MSP430 and MSP430X jump instructions. The signed 10-bit word offset of the jump instruction is multiplied by two, sign-extended to a 20-bit address, and added to the 20-bit PC. This allows jumps in a range of -511 to $+512$ words relative to the PC in the full 20-bit address space. Jumps do not affect the status bits. Table 4-6 lists and describes the eight jump instructions.

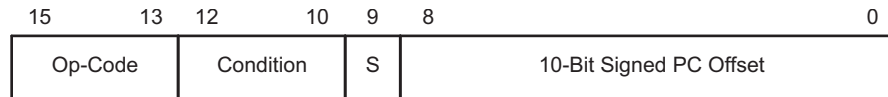


Figure 4-24. Format of Conditional Jump Instructions

Table 4-6. Conditional Jump Instructions

Mnemonic	S-Reg, D-Reg	Operation
JEQ, JZ	Label	Jump to label if zero bit is set
JNE, JNZ	Label	Jump to label if zero bit is reset
JC	Label	Jump to label if carry bit is set
JNC	Label	Jump to label if carry bit is reset
JN	Label	Jump to label if negative bit is set
JGE	Label	Jump to label if (N .XOR. V) = 0
JL	Label	Jump to label if (N .XOR. V) = 1
JMP	Label	Jump to label unconditionally

4.5.1.4 Emulated Instructions

In addition to the MSP430 and MSP430X instructions, emulated instructions are instructions that make code easier to write and read, but do not have op-codes themselves. Instead, they are replaced automatically by the assembler with a core instruction. There is no code or performance penalty for using emulated instructions. The emulated instructions are listed in Table 4-7.

Table 4-7. Emulated Instructions

Instruction	Explanation	Emulation	Status Bits ⁽¹⁾			
			V	N	Z	C
ADC(.B) dst	Add Carry to dst	ADDC(.B) #0, dst	*	*	*	*
BR dst	Branch indirectly dst	MOV dst, PC	–	–	–	–
CLR(.B) dst	Clear dst	MOV(.B) #0, dst	–	–	–	–
CLRC	Clear Carry bit	BIC #1, SR	–	–	–	0
CLRN	Clear Negative bit	BIC #4, SR	–	0	–	–
CLRZ	Clear Zero bit	BIC #2, SR	–	–	0	–
DADC(.B) dst	Add Carry to dst decimally	DADD(.B) #0, dst	*	*	*	*
DEC(.B) dst	Decrement dst by 1	SUB(.B) #1, dst	*	*	*	*
DECD(.B) dst	Decrement dst by 2	SUB(.B) #2, dst	*	*	*	*
DINT	Disable interrupt	BIC #8, SR	–	–	–	–
EINT	Enable interrupt	BIS #8, SR	–	–	–	–
INC(.B) dst	Increment dst by 1	ADD(.B) #1, dst	*	*	*	*
INCD(.B) dst	Increment dst by 2	ADD(.B) #2, dst	*	*	*	*

⁽¹⁾ * = Status bit is affected.
– = Status bit is not affected.
0 = Status bit is cleared.
1 = Status bit is set.

Table 4-7. Emulated Instructions (continued)

Instruction	Explanation	Emulation	Status Bits ⁽¹⁾			
			V	N	Z	C
INV(.B) dst	Invert dst	XOR(.B) #-1, dst	*	*	*	*
NOP	No operation	MOV R3, R3	–	–	–	–
POP dst	Pop operand from stack	MOV @SP+, dst	–	–	–	–
RET	Return from subroutine	MOV @SP+, PC	–	–	–	–
RLA(.B) dst	Shift left dst arithmetically	ADD(.B) dst, dst	*	*	*	*
RLC(.B) dst	Shift left dst logically through Carry	ADDC(.B) dst, dst	*	*	*	*
SBC(.B) dst	Subtract Carry from dst	SUBC(.B) #0, dst	*	*	*	*
SETC	Set Carry bit	BIS #1, SR	–	–	–	1
SETN	Set Negative bit	BIS #4, SR	–	1	–	–
SETZ	Set Zero bit	BIS #2, SR	–	–	1	–
TST(.B) dst	Test dst (compare with 0)	CMP(.B) #0, dst	0	*	*	1

4.5.1.5 MSP430 Instruction Execution

The number of CPU clock cycles required for an instruction depends on the instruction format and the addressing modes used – not the instruction itself. The number of clock cycles refers to MCLK.

4.5.1.5.1 Instruction Cycles and Length for Interrupt, Reset, and Subroutines

Table 4-8 lists the length and the CPU cycles for reset, interrupts, and subroutines.

Table 4-8. Interrupt, Return, and Reset Cycles and Length

Action	Execution Time (MCLK Cycles)	Length of Instruction (Words)
Return from interrupt RETI	5	1
Return from subroutine RET	4	1
Interrupt request service (cycles needed before first instruction)	6	–
WDT reset	4	–
Reset (RST/NMI)	4	–

4.5.1.5.2 Format II (Single-Operand) Instruction Cycles and Lengths

Table 4-9 lists the length and the CPU cycles for all addressing modes of the MSP430 single-operand instructions.

Table 4-9. MSP430 Format II Instruction Cycles and Length

Addressing Mode	No. of Cycles			Length of Instruction	Example
	RRA, RRC SWPB, SXT	PUSH	CALL		
Rn	1	3	4	1	SWPB R5
@Rn	3	3	4	1	RRC @R9
@Rn+	3	3	4	1	SWPB @R10+
#N	N/A	3	4	2	CALL #LABEL
X(Rn)	4	4	5	2	CALL 2(R7)
EDE	4	4	5	2	PUSH EDE
&EDE	4	4	6	2	SXT &EDE

4.5.1.5.3 Jump Instructions Cycles and Lengths

All jump instructions require one code word and take two CPU cycles to execute, regardless of whether the jump is taken or not.

4.5.1.5.4 Format I (Double-Operand) Instruction Cycles and Lengths

Table 4-10 lists the length and CPU cycles for all addressing modes of the MSP430 Format I instructions.

Table 4-10. MSP430 Format I Instructions Cycles and Length

Addressing Mode		No. of Cycles	Length of Instruction	Example
Source	Destination			
Rn	Rm	1	1	MOV R5, R8
	PC	3	1	BR R9
	x(Rm)	4 ⁽¹⁾	2	ADD R5, 4(R6)
	EDE	4 ⁽¹⁾	2	XOR R8, EDE
	&EDE	4 ⁽¹⁾	2	MOV R5, &EDE
@Rn	Rm	2	1	AND @R4, R5
	PC	4	1	BR @R8
	x(Rm)	5 ⁽¹⁾	2	XOR @R5, 8(R6)
	EDE	5 ⁽¹⁾	2	MOV @R5, EDE
	&EDE	5 ⁽¹⁾	2	XOR @R5, &EDE
@Rn+	Rm	2	1	ADD @R5+, R6
	PC	4	1	BR @R9+
	x(Rm)	5 ⁽¹⁾	2	XOR @R5, 8(R6)
	EDE	5 ⁽¹⁾	2	MOV @R9+, EDE
	&EDE	5 ⁽¹⁾	2	MOV @R9+, &EDE
#N	Rm	2	2	MOV #20, R9
	PC	3	2	BR #2AEh
	x(Rm)	5 ⁽¹⁾	3	MOV #0300h, 0(SP)
	EDE	5 ⁽¹⁾	3	ADD #33, EDE
	&EDE	5 ⁽¹⁾	3	ADD #33, &EDE
x(Rn)	Rm	3	2	MOV 2(R5), R7
	PC	5	2	BR 2(R6)
	TONI	6 ⁽¹⁾	3	MOV 4(R7), TONI
	x(Rm)	6 ⁽¹⁾	3	ADD 4(R4), 6(R9)
	&TONI	6 ⁽¹⁾	3	MOV 2(R4), &TONI
EDE	Rm	3	2	AND EDE, R6
	PC	5	2	BR EDE
	TONI	6 ⁽¹⁾	3	CMP EDE, TONI
	x(Rm)	6 ⁽¹⁾	3	MOV EDE, 0(SP)
	&TONI	6 ⁽¹⁾	3	MOV EDE, &TONI
&EDE	Rm	3	2	MOV &EDE, R8
	PC	5	2	BR &EDE
	TONI	6 ⁽¹⁾	3	MOV &EDE, TONI
	x(Rm)	6 ⁽¹⁾	3	MOV &EDE, 0(SP)
	&TONI	6 ⁽¹⁾	3	MOV &EDE, &TONI

⁽¹⁾ MOV, BIT, and CMP instructions execute in one fewer cycle.

4.5.2 MSP430X Extended Instructions

The extended MSP430X instructions give the MSP430X CPU full access to its 20-bit address space. Most MSP430X instructions require an additional word of op-code called the extension word. Some extended instructions do not require an additional word and are noted in the instruction description. All addresses, indexes, and immediate numbers have 20-bit values when preceded by the extension word.

There are two types of extension words:

- Register or register mode for Format I instructions and register mode for Format II instructions
- Extension word for all other address mode combinations

4.5.2.1 Register Mode Extension Word

The register mode extension word is shown in [Figure 4-25](#) and described in [Table 4-11](#). An example is shown in [Figure 4-27](#).

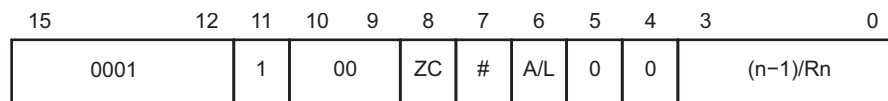


Figure 4-25. Extension Word for Register Modes

Table 4-11. Description of the Extension Word Bits for Register Mode

Bit	Description															
15:11	Extension word op-code. Op-codes 1800h to 1FFFh are extension words.															
10:9	Reserved															
ZC	Zero carry															
	0 The executed instruction uses the status of the carry bit C.															
	1 The executed instruction uses the carry bit as 0. The carry bit is defined by the result of the final operation after instruction execution.															
#	Repetition															
	0 The number of instruction repetitions is set by extension word bits 3:0.															
	1 The number of instruction repetitions is defined by the value of the four LSBs of Rn. See description for bits 3:0.															
A/L	Data length extension. Together with the B/W bits of the following MSP430 instruction, the AL bit defines the used data length of the instruction.															
	<table border="1" style="width: 100%; border-collapse: collapse;"> <thead> <tr> <th style="text-align: left;">A/L</th> <th style="text-align: left;">B/W</th> <th style="text-align: left;">Comment</th> </tr> </thead> <tbody> <tr> <td>0</td> <td>0</td> <td>Reserved</td> </tr> <tr> <td>0</td> <td>1</td> <td>20-bit address word</td> </tr> <tr> <td>1</td> <td>0</td> <td>16-bit word</td> </tr> <tr> <td>1</td> <td>1</td> <td>8-bit byte</td> </tr> </tbody> </table>	A/L	B/W	Comment	0	0	Reserved	0	1	20-bit address word	1	0	16-bit word	1	1	8-bit byte
A/L	B/W	Comment														
0	0	Reserved														
0	1	20-bit address word														
1	0	16-bit word														
1	1	8-bit byte														
5:4	Reserved															
3:0	Repetition count															
	# = 0 These four bits set the repetition count n. These bits contain n – 1.															
	# = 1 These four bits define the CPU register whose bits 3:0 set the number of repetitions. Rn.3:0 contain n – 1.															

4.5.2.2 Non-Register Mode Extension Word

The extension word for non-register modes is shown in [Figure 4-26](#) and described in [Table 4-12](#). An example is shown in [Figure 4-28](#).

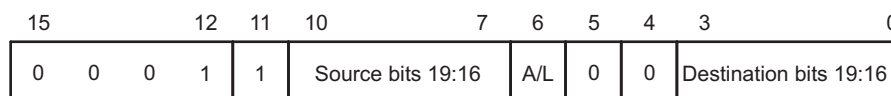


Figure 4-26. Extension Word for Non-Register Modes

Table 4-12. Description of Extension Word Bits for Non-Register Modes

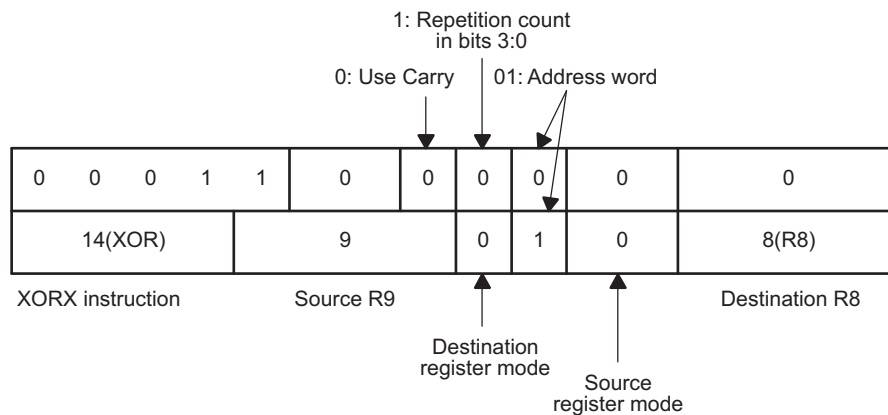
Bit	Description															
15:11	Extension word op-code. Op-codes 1800h to 1FFFh are extension words.															
Source Bits 19:16	The four MSBs of the 20-bit source. Depending on the source addressing mode, these four MSBs may belong to an immediate operand, an index, or to an absolute address.															
A/L	Data length extension. Together with the B/W bits of the following MSP430 instruction, the AL bit defines the used data length of the instruction. <table border="1"> <thead> <tr> <th>A/L</th> <th>B/W</th> <th>Comment</th> </tr> </thead> <tbody> <tr> <td>0</td> <td>0</td> <td>Reserved</td> </tr> <tr> <td>0</td> <td>1</td> <td>20-bit address word</td> </tr> <tr> <td>1</td> <td>0</td> <td>16-bit word</td> </tr> <tr> <td>1</td> <td>1</td> <td>8-bit byte</td> </tr> </tbody> </table>	A/L	B/W	Comment	0	0	Reserved	0	1	20-bit address word	1	0	16-bit word	1	1	8-bit byte
A/L	B/W	Comment														
0	0	Reserved														
0	1	20-bit address word														
1	0	16-bit word														
1	1	8-bit byte														
5:4	Reserved															
Destination Bits 19:16	The four MSBs of the 20-bit destination. Depending on the destination addressing mode, these four MSBs may belong to an index or to an absolute address.															

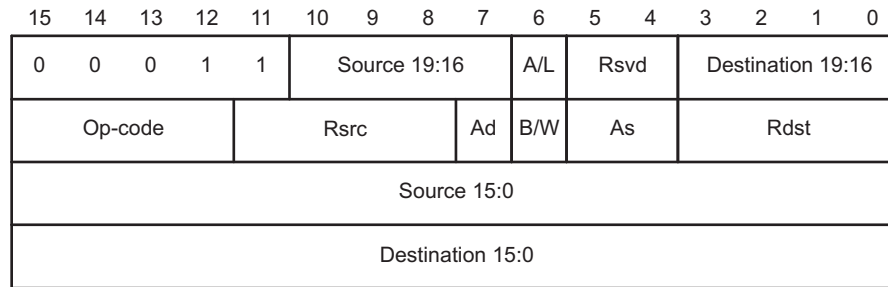
NOTE: B/W and A/L bit settings for SWPBX and SXTX

A/L	B/W	
0	0	SWPBX.A, SXTX.A
0	1	N/A
1	0	SWPB.W, SXTX.W
1	1	N/A

15	14	13	12	11	10	9	8	7	6	5	4	3	2	1	0
0	0	0	1	1	00	ZC	#	A/L	Rsvd	(n-1)/Rn					
Op-code				Rsrc				Ad	B/W	As	Rdst				

XORX.A R9, R8


Figure 4-27. Example for Extended Register or Register Instruction



XORX.A #12345h, 45678h(R15)

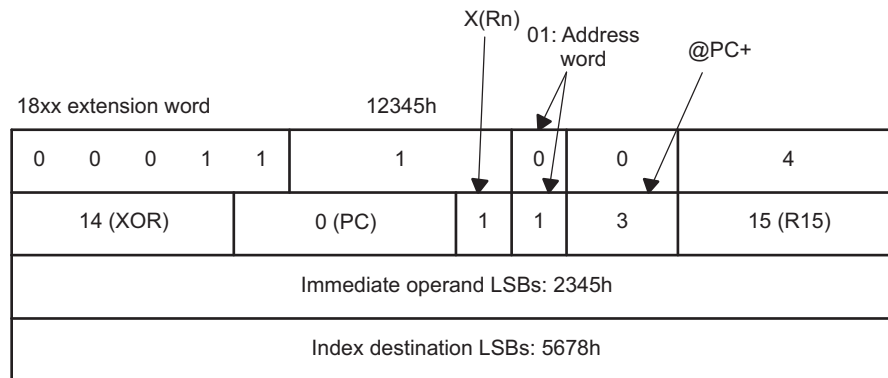


Figure 4-28. Example for Extended Immediate or Indexed Instruction

4.5.2.3 Extended Double-Operand (Format I) Instructions

All 12 double-operand instructions have extended versions as listed in [Table 4-13](#).

Table 4-13. Extended Double-Operand Instructions

Mnemonic	Operands	Operation	Status Bits ⁽¹⁾			
			V	N	Z	C
MOVX(.B, .A)	src,dst	src → dst	–	–	–	–
ADDX(.B, .A)	src,dst	src + dst → dst	*	*	*	*
ADDCX(.B, .A)	src,dst	src + dst + C → dst	*	*	*	*
SUBX(.B, .A)	src,dst	dst + .not.src + 1 → dst	*	*	*	*
SUBCX(.B, .A)	src,dst	dst + .not.src + C → dst	*	*	*	*
CMPX(.B, .A)	src,dst	dst – src	*	*	*	*
DADDX(.B, .A)	src,dst	src + dst + C → dst (decimal)	*	*	*	*
BITX(.B, .A)	src,dst	src .and. dst	0	*	*	Z
BICX(.B, .A)	src,dst	.not.src .and. dst → dst	–	–	–	–
BISX(.B, .A)	src,dst	src .or. dst → dst	–	–	–	–
XORX(.B, .A)	src,dst	src .xor. dst → dst	*	*	*	Z
ANDX(.B, .A)	src,dst	src .and. dst → dst	0	*	*	Z

⁽¹⁾ * = Status bit is affected.
 – = Status bit is not affected.
 0 = Status bit is cleared.
 1 = Status bit is set.

The four possible addressing combinations for the extension word for Format I instructions are shown in Figure 4-29.

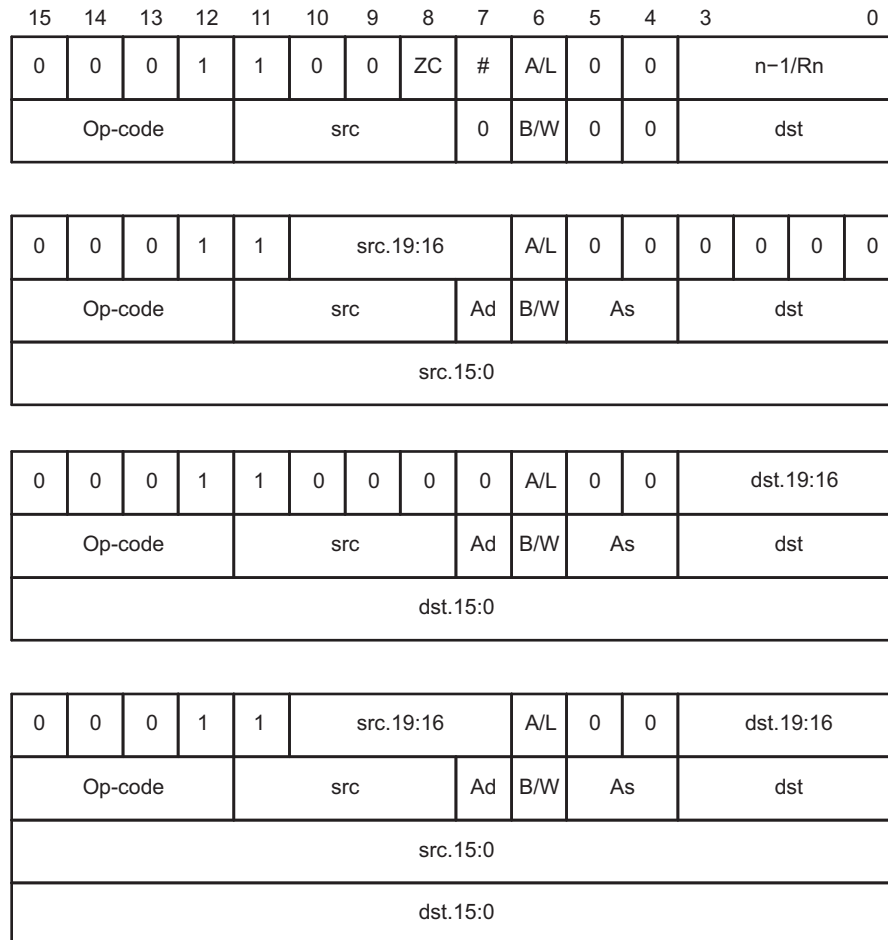


Figure 4-29. Extended Format I Instruction Formats

If the 20-bit address of a source or destination operand is located in memory, not in a CPU register, then two words are used for this operand as shown in Figure 4-30.

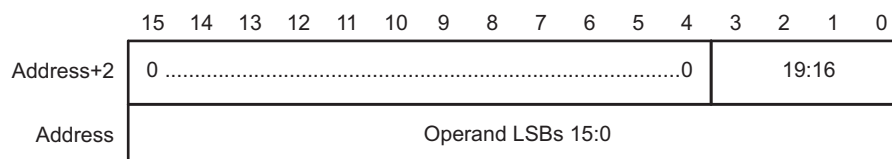


Figure 4-30. 20-Bit Addresses in Memory

4.5.2.4 Extended Single-Operand (Format II) Instructions

Extended MSP430X Format II instructions are listed in [Table 4-14](#).

Table 4-14. Extended Single-Operand Instructions

Mnemonic	Operands	Operation	n	Status Bits ⁽¹⁾			
				V	N	Z	C
CALLA	dst	Call indirect to subroutine (20-bit address)		–	–	–	–
POPM.A	#n,Rdst	Pop n 20-bit registers from stack	1 to 16	–	–	–	–
POPM.W	#n,Rdst	Pop n 16-bit registers from stack	1 to 16	–	–	–	–
PUSHM.A	#n,Rsrc	Push n 20-bit registers to stack	1 to 16	–	–	–	–
PUSHM.W	#n,Rsrc	Push n 16-bit registers to stack	1 to 16	–	–	–	–
PUSHX(.B, .A)	src	Push 8-, 16-, or 20-bit source to stack		–	–	–	–
RRCM(.A)	#n,Rdst	Rotate right Rdst n bits through carry (16-, 20-bit register)	1 to 4	0	*	*	*
RRUM(.A)	#n,Rdst	Rotate right Rdst n bits unsigned (16-, 20-bit register)	1 to 4	0	*	*	*
RRAM(.A)	#n,Rdst	Rotate right Rdst n bits arithmetically (16-, 20-bit register)	1 to 4	0	*	*	*
RLAM(.A)	#n,Rdst	Rotate left Rdst n bits arithmetically (16-, 20-bit register)	1 to 4	*	*	*	*
RRCX(.B, .A)	dst	Rotate right dst through carry (8-, 16-, 20-bit data)	1	0	*	*	*
RRUX(.B, .A)	Rdst	Rotate right dst unsigned (8-, 16-, 20-bit)	1	0	*	*	*
RRAX(.B, .A)	dst	Rotate right dst arithmetically	1	0	*	*	*
SWPBX(.A)	dst	Exchange low byte with high byte	1	–	–	–	–
SXTX(.A)	Rdst	Bit7 → bit8 ... bit19	1	0	*	*	Z
SXTX(.A)	dst	Bit7 → bit8 ... MSB	1	0	*	*	Z

⁽¹⁾ * = Status bit is affected.
 – = Status bit is not affected.
 0 = Status bit is cleared.
 1 = Status bit is set.

The three possible addressing mode combinations for Format II instructions are shown in [Figure 4-31](#).

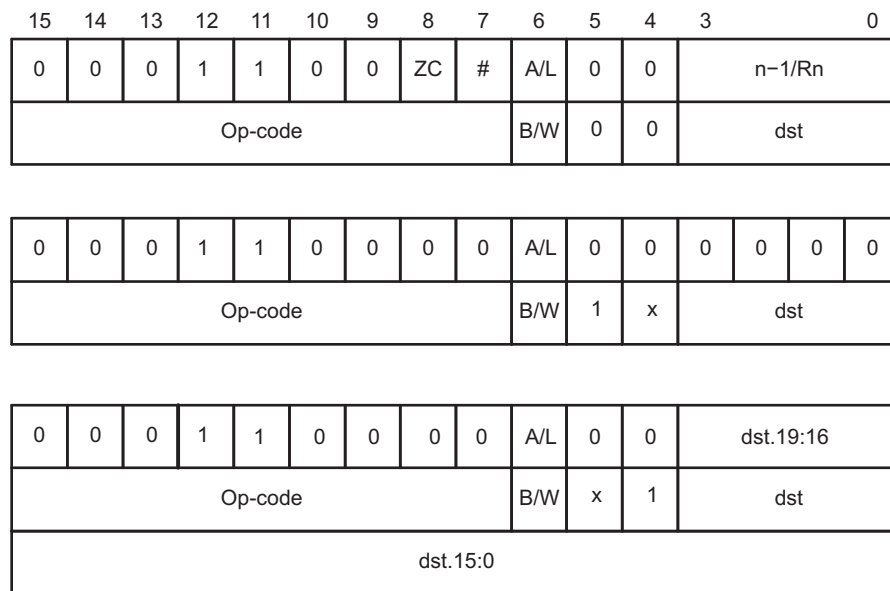


Figure 4-31. Extended Format II Instruction Format

4.5.2.4.1 Extended Format II Instruction Format Exceptions

Exceptions for the Format II instruction formats are shown in [Figure 4-32](#) through [Figure 4-35](#).

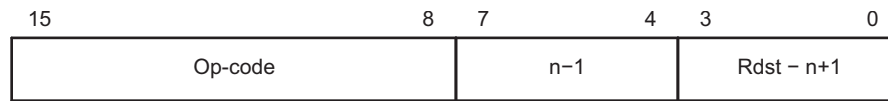


Figure 4-32. PUSHM and POPM Instruction Format

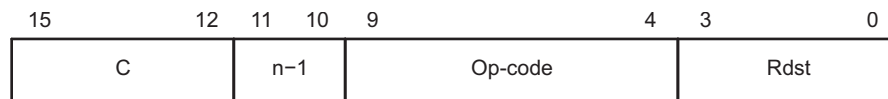


Figure 4-33. RRCM, RRAM, RRUM, and RLAM Instruction Format

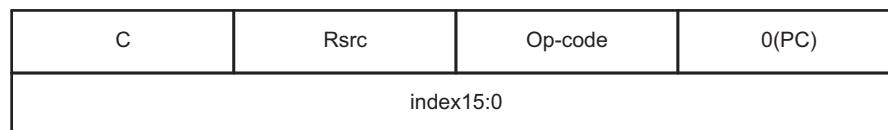
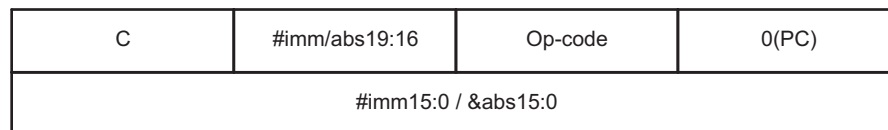
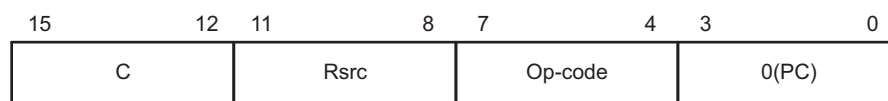


Figure 4-34. BRA Instruction Format

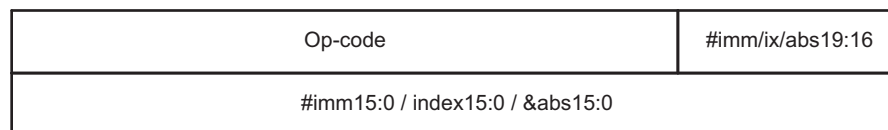
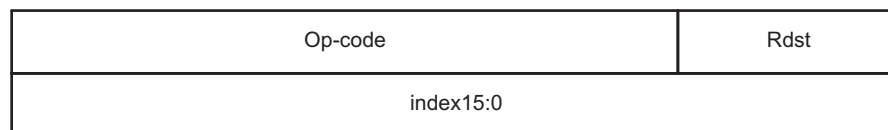
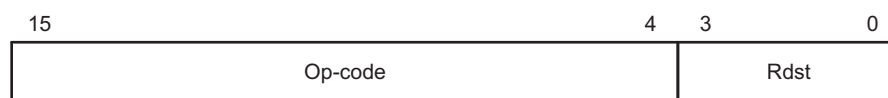


Figure 4-35. CALLA Instruction Format

4.5.2.5 Extended Emulated Instructions

The extended instructions together with the constant generator form the extended emulated instructions. [Table 4-15](#) lists the emulated instructions.

Table 4-15. Extended Emulated Instructions

Instruction	Explanation	Emulation
ADCX(.B, .A) dst	Add carry to dst	ADDCX(.B, .A) #0, dst
BRA dst	Branch indirect dst	MOVA dst, PC
RETA	Return from subroutine	MOVA @SP+, PC
CLRA Rdst	Clear Rdst	MOV #0, Rdst
CLR(.B, .A) dst	Clear dst	MOVX(.B, .A) #0, dst
DADCX(.B, .A) dst	Add carry to dst decimally	DADDX(.B, .A) #0, dst
DECX(.B, .A) dst	Decrement dst by 1	SUBX(.B, .A) #1, dst
DECDA Rdst	Decrement Rdst by 2	SUBA #2, Rdst
DECX(.B, .A) dst	Decrement dst by 2	SUBX(.B, .A) #2, dst
INCX(.B, .A) dst	Increment dst by 1	ADDX(.B, .A) #1, dst
INCDA Rdst	Increment Rdst by 2	ADDA #2, Rdst
INCX(.B, .A) dst	Increment dst by 2	ADDX(.B, .A) #2, dst
INVX(.B, .A) dst	Invert dst	XORX(.B, .A) #-1, dst
RLAX(.B, .A) dst	Shift left dst arithmetically	ADDX(.B, .A) dst, dst
RLCX(.B, .A) dst	Shift left dst logically through carry	ADDCX(.B, .A) dst, dst
SBCX(.B, .A) dst	Subtract carry from dst	SUBCX(.B, .A) #0, dst
TSTA Rdst	Test Rdst (compare with 0)	CMPA #0, Rdst
TSTX(.B, .A) dst	Test dst (compare with 0)	CMPX(.B, .A) #0, dst
POPX dst	Pop to dst	MOVX(.B, .A) @SP+, dst

4.5.2.6 MSP430X Address Instructions

MSP430X address instructions are instructions that support 20-bit operands but have restricted addressing modes. The addressing modes are restricted to the Register mode and the Immediate mode, except for the MOVA instruction as listed in [Table 4-16](#). Restricting the addressing modes removes the need for the additional extension-word op-code improving code density and execution time. Address instructions should be used any time an MSP430X instruction is needed with the corresponding restricted addressing mode.

Table 4-16. Address Instructions, Operate on 20-Bit Register Data

Mnemonic	Operands	Operation	Status Bits ⁽¹⁾			
			V	N	Z	C
ADDA	Rsrc, Rdst	Add source to destination register	*	*	*	*
	#imm20, Rdst					
MOVA	Rsrc, Rdst	Move source to destination	–	–	–	–
	#imm20, Rdst					
	z16(Rsrc), Rdst					
	EDE, Rdst					
	&abs20, Rdst					
	@Rsrc, Rdst					
	@Rsrc+, Rdst					
	Rsrc, z16(Rdst)					
Rsrc, &abs20						
CMPA	Rsrc, Rdst	Compare source to destination register	*	*	*	*
	#imm20, Rdst					
SUBA	Rsrc, Rdst	Subtract source from destination register	*	*	*	*
	#imm20, Rdst					

⁽¹⁾ * = Status bit is affected.
– = Status bit is not affected.
0 = Status bit is cleared.
1 = Status bit is set.

4.5.2.7 MSP430X Instruction Execution

The number of CPU clock cycles required for an MSP430X instruction depends on the instruction format and the addressing modes used, not the instruction itself. The number of clock cycles refers to MCLK.

4.5.2.7.1 MSP430X Format II (Single-Operand) Instruction Cycles and Lengths

Table 4-17 lists the length and the CPU cycles for all addressing modes of the MSP430X extended single-operand instructions.

Table 4-17. MSP430X Format II Instruction Cycles and Length

Instruction	Execution Cycles, Length of Instruction (Words)						
	Rn	@Rn	@Rn+	#N	X(Rn)	EDE	&EDE
RRAM	n, 1	–	–	–	–	–	–
RRCM	n, 1	–	–	–	–	–	–
RRUM	n, 1	–	–	–	–	–	–
RLAM	n, 1	–	–	–	–	–	–
PUSHM	2+n, 1	–	–	–	–	–	–
PUSHM.A	2+2n, 1	–	–	–	–	–	–
POPM	2+n, 1	–	–	–	–	–	–
POPM.A	2+2n, 1	–	–	–	–	–	–
CALLA	5, 1	6, 1	6, 1	5, 2	5 ⁽¹⁾ , 2	7, 2	7, 2
RRAX(.B)	1+n, 2	4, 2	4, 2	–	5, 3	5, 3	5, 3
RRAX.A	1+n, 2	6, 2	6, 2	–	7, 3	7, 3	7, 3
RRCX(.B)	1+n, 2	4, 2	4, 2	–	5, 3	5, 3	5, 3
RRCX.A	1+n, 2	6, 2	6, 2	–	7, 3	7, 3	7, 3
PUSHX(.B)	4, 2	4, 2	4, 2	4, 3	5 ⁽¹⁾ , 3	5, 3	5, 3
PUSHX.A	5, 2	6, 2	6, 2	5, 3	7 ⁽¹⁾ , 3	7, 3	7, 3
POPX(.B)	3, 2	–	–	–	5, 3	5, 3	5, 3
POPX.A	4, 2	–	–	–	7, 3	7, 3	7, 3

⁽¹⁾ Add one cycle when Rn = SP

4.5.2.7.2 MSP430X Format I (Double-Operand) Instruction Cycles and Lengths

Table 4-18 lists the length and CPU cycles for all addressing modes of the MSP430X extended Format I instructions.

Table 4-18. MSP430X Format I Instruction Cycles and Length

Addressing Mode		No. of Cycles		Length of Instruction	Examples
Source	Destination	.B/.W	.A	.B/.W/.A	
Rn	Rm ⁽¹⁾	2	2	2	BITX.B R5,R8
	PC	4	4	2	ADDX R9,PC
	x(Rm)	5 ⁽²⁾	7 ⁽³⁾	3	ANDX.A R5,4(R6)
	EDE	5 ⁽²⁾	7 ⁽³⁾	3	XORX R8,EDE
	&EDE	5 ⁽²⁾	7 ⁽³⁾	3	BITX.W R5,&EDE
@Rn	Rm	3	4	2	BITX @R5,R8
	PC	5	6	2	ADDX @R9,PC
	x(Rm)	6 ⁽²⁾	9 ⁽³⁾	3	ANDX.A @R5,4(R6)
	EDE	6 ⁽²⁾	9 ⁽³⁾	3	XORX @R8,EDE
	&EDE	6 ⁽²⁾	9 ⁽³⁾	3	BITX.B @R5,&EDE
@Rn+	Rm	3	4	2	BITX @R5+,R8
	PC	5	6	2	ADDX.A @R9+,PC
	x(Rm)	6 ⁽²⁾	9 ⁽³⁾	3	ANDX @R5+,4(R6)
	EDE	6 ⁽²⁾	9 ⁽³⁾	3	XORX.B @R8+,EDE
	&EDE	6 ⁽²⁾	9 ⁽³⁾	3	BITX @R5+,&EDE
#N	Rm	3	3	3	BITX #20,R8
	PC ⁽⁴⁾	4	4	3	ADDX.A #FE00h,PC
	x(Rm)	6 ⁽²⁾	8 ⁽³⁾	4	ANDX #1234,4(R6)
	EDE	6 ⁽²⁾	8 ⁽³⁾	4	XORX #A5A5h,EDE
	&EDE	6 ⁽²⁾	8 ⁽³⁾	4	BITX.B #12,&EDE
x(Rn)	Rm	4	5	3	BITX 2(R5),R8
	PC ⁽⁴⁾	6	7	3	SUBX.A 2(R6),PC
	TONI	7 ⁽²⁾	10 ⁽³⁾	4	ANDX 4(R7),4(R6)
	x(Rm)	7 ⁽²⁾	10 ⁽³⁾	4	XORX.B 2(R6),EDE
	&TONI	7 ⁽²⁾	10 ⁽³⁾	4	BITX 8(SP),&EDE
EDE	Rm	4	5	3	BITX.B EDE,R8
	PC ⁽⁴⁾	6	7	3	ADDX.A EDE,PC
	TONI	7 ⁽²⁾	10 ⁽³⁾	4	ANDX EDE,4(R6)
	x(Rm)	7 ⁽²⁾	10 ⁽³⁾	4	ANDX EDE,TONI
	&TONI	7 ⁽²⁾	10 ⁽³⁾	4	BITX EDE,&TONI
&EDE	Rm	4	5	3	BITX &EDE,R8
	PC ⁽⁴⁾	6	7	3	ADDX.A &EDE,PC
	TONI	7 ⁽²⁾	10 ⁽³⁾	4	ANDX.B &EDE,4(R6)
	x(Rm)	7 ⁽²⁾	10 ⁽³⁾	4	XORX &EDE,TONI
	&TONI	7 ⁽²⁾	10 ⁽³⁾	4	BITX &EDE,&TONI

⁽¹⁾ Repeat instructions require n + 1 cycles, where n is the number of times the instruction is executed.

⁽²⁾ Reduce the cycle count by one for MOV, BIT, and CMP instructions.

⁽³⁾ Reduce the cycle count by two for MOV, BIT, and CMP instructions.

⁽⁴⁾ Reduce the cycle count by one for MOV, ADD, and SUB instructions.

4.5.2.7.3 MSP430X Address Instruction Cycles and Lengths

Table 4-19 lists the length and the CPU cycles for all addressing modes of the MSP430X address instructions.

Table 4-19. Address Instruction Cycles and Length

Addressing Mode		Execution Time (MCLK Cycles)		Length of Instruction (Words)		Example
Source	Destination	MOVA BRA	CMPA ADDA SUBA	MOVA	CMPA ADDA SUBA	
Rn	Rn	1	1	1	1	CMPA R5, R8
	PC	3	3	1	1	SUBA R9, PC
	x(Rn)	4	–	2	–	MOVA R5, 4(R6)
	EDE	4	–	2	–	MOVA R8, EDE
	&EDE	4	–	2	–	MOVA R5, &EDE
@Rn	Rm	3	–	1	–	MOVA @R5, R8
	PC	5	–	1	–	MOVA @R9, PC
@Rn+	Rm	3	–	1	–	MOVA @R5+, R8
	PC	5	–	1	–	MOVA @R9+, PC
#N	Rm	2	3	2	2	CMPA #20, R8
	PC	3	3	2	2	SUBA #FE00h, PC
x(Rn)	Rm	4	–	2	–	MOVA 2(R5), R8
	PC	6	–	2	–	MOVA 2(R6), PC
EDE	Rm	4	–	2	–	MOVA EDE, R8
	PC	6	–	2	–	MOVA EDE, PC
&EDE	Rm	4	–	2	–	MOVA &EDE, R8
	PC	6	–	2	–	MOVA &EDE, PC

4.6 Instruction Set Description

Table 4-20 shows all available instructions:

Table 4-20. Instruction Map of MSP430X

	000	040	080	0C0	100	140	180	1C0	200	240	280	2C0	300	340	380	3C0
0xxx	MOVA, CMPA, ADDA, SUBA, RRCM, RRAM, RLAM, RRUM															
10xx	RRC	RRC. B	SWP B		RRA	RRA. B	SXT		PUS H	PUS H.B	CALL		RETI	CALL A		
14xx	PUSHM.A, POPM.A, PUSHM.W, POPM.W															
18xx	Extension word for Format I and Format II instructions															
1Cxx	Extension word for Format I and Format II instructions															
20xx	JNE, JNZ															
24xx	JEQ, JZ															
28xx	JNC															
2Cxx	JC															
30xx	JN															
34xx	JGE															
38xx	JL															
3Cxx	JMP															
4xxx	MOV, MOV.B															
5xxx	ADD, ADD.B															
6xxx	ADDC, ADDC.B															
7xxx	SUBC, SUBC.B															
8xxx	SUB, SUB.B															
9xxx	CMP, CMP.B															
Axxx	DADD, DADD.B															
Bxxx	BIT, BIT.B															
Cxxx	BIC, BIC.B															
Dxxx	BIS, BIS.B															
Exxx	XOR, XOR.B															
Fxxx	AND, AND.B															

4.6.1 Extended Instruction Binary Descriptions

Detailed MSP430X instruction binary descriptions are shown in the following tables.

Instruction	Instruction Group				src or data.19:16				Instruction Identifier				dst			
	15	12	11	8	7	4	3	0	15	12	11	8	7	4		3
MOVA	0	0	0	0	src				0	0	0	0	dst		MOVA @Rsrc,Rdst	
	0	0	0	0	src				0	0	0	1	dst		MOVA @Rsrc+,Rdst	
	0	0	0	0	&abs.19:16				0	0	1	0	dst		MOVA &abs20,Rdst	
	&abs.15:0															
	0	0	0	0	src				0	0	1	1	dst		MOVA z16(Rsrc),Rdst	
	x.15:0															
	0	0	0	0	src				0	1	1	0	&abs.19:16		MOVA Rsrc,&abs20	
	&abs.15:0															
	0	0	0	0	src				0	1	1	1	dst		MOVA Rsrc,z16(Rdst)	
	x.15:0															
CMPA	0	0	0	0	imm.19:16				1	0	0	0	dst		MOVA #imm20,Rdst	
	imm.15:0															
	0	0	0	0	imm.19:16				1	0	0	1	dst		CMPA #imm20,Rdst	
ADDA	imm.15:0															
	0	0	0	0	imm.19:16				1	0	1	0	dst		ADDA #imm20,Rdst	
SUBA	imm.15:0															
	0	0	0	0	imm.19:16				1	0	1	1	dst		SUBA #imm20,Rdst	
MOVA	imm.15:0															
	0	0	0	0	src				1	1	0	0	dst		MOVA Rsrc,Rdst	
	0	0	0	0	src				1	1	0	1	dst		CMPA Rsrc,Rdst	
	0	0	0	0	src				1	1	1	0	dst		ADDA Rsrc,Rdst	
	0	0	0	0	src				1	1	1	1	dst		SUBA Rsrc,Rdst	

Instruction	Instruction Group				Bit Loc.		Inst. ID		Instruction Identifier				dst		
	15	12	11	10	9	8	7	4	3	0	15	10	5	0	
RRCM.A	0	0	0	0	n-1	0	0	0	1	0	0	dst		RRCM.A #n,Rdst	
RRAM.A	0	0	0	0	n-1	0	1	0	1	0	0	dst		RRAM.A #n,Rdst	
RLAM.A	0	0	0	0	n-1	1	0	0	1	0	0	dst		RLAM.A #n,Rdst	
RRUM.A	0	0	0	0	n-1	1	1	0	1	0	0	dst		RRUM.A #n,Rdst	
RRCM.W	0	0	0	0	n-1	0	0	0	1	0	1	dst		RRCM.W #n,Rdst	
RRAM.W	0	0	0	0	n-1	0	1	0	1	0	1	dst		RRAM.W #n,Rdst	
RLAM.W	0	0	0	0	n-1	1	0	0	1	0	1	dst		RLAM.W #n,Rdst	
RRUM.W	0	0	0	0	n-1	1	1	0	1	0	1	dst		RRUM.W #n,Rdst	

Instruction	Instruction Identifier											dst					
	15	12	11	8	7	6	5	4	3	0							
RETI	0	0	0	1	0	0	1	1	0	0	0	0	0	0	0	0	
CALLA	0	0	0	1	0	0	1	1	0	1	0	0	dst				CALLA Rdst
	0	0	0	1	0	0	1	1	0	1	0	1	dst				CALLA x(Rdst)
	x.15:0																
	0	0	0	1	0	0	1	1	0	1	1	0	dst				CALLA @Rdst
	0	0	0	1	0	0	1	1	0	1	1	1	dst				CALLA @Rdst+
	0	0	0	1	0	0	1	1	1	0	0	0	&abs.19:16				CALLA &abs20
	&abs.15:0																
	0	0	0	1	0	0	1	1	1	0	0	1	x.19:16				CALLA EDE
	x.15:0															CALLA x(PC)	
	0	0	0	1	0	0	1	1	1	0	1	1	imm.19:16				CALLA #imm20
	imm.15:0																
Reserved	0	0	0	1	0	0	1	1	1	0	1	0	x	x	x	x	
Reserved	0	0	0	1	0	0	1	1	1	1	x	x	x	x	x	x	
PUSHM.A	0	0	0	1	0	1	0	0	n - 1			dst				PUSHM.A #n,Rdst	
PUSHM.W	0	0	0	1	0	1	0	1	n - 1			dst				PUSHM.W #n,Rdst	
POPM.A	0	0	0	1	0	1	1	0	n - 1			dst - n + 1				POPM.A #n,Rdst	
POPM.W	0	0	0	1	0	1	1	1	n - 1			dst - n + 1				POPM.W #n,Rdst	

4.6.2 MSP430 Instructions

The MSP430 instructions are listed and described on the following pages.

4.6.2.1 ADC

* **ADC.W]** Add carry to destination

* **ADC.B** Add carry to destination

Syntax ADC dst OR ADC.W dst
 ADC.B dst

Operation dst + C → dst

Emulation ADDC #0, dst
 ADDC.B #0, dst

Description The carry bit (C) is added to the destination operand. The previous contents of the destination are lost.

Status Bits N: Set if result is negative, reset if positive
 Z: Set if result is zero, reset otherwise
 C: Set if dst was incremented from 0FFFFh to 0000, reset otherwise
 Set if dst was incremented from 0FFh to 00, reset otherwise
 V: Set if an arithmetic overflow occurs, otherwise reset

Mode Bits OSCOFF, CPUOFF, and GIE are not affected.

Example The 16-bit counter pointed to by R13 is added to a 32-bit counter pointed to by R12.

```

ADD    @R13,0(R12)    ; Add LSDs
ADC    2(R12)         ; Add carry to MSD

```

Example The 8-bit counter pointed to by R13 is added to a 16-bit counter pointed to by R12.

```

ADD.B  @R13,0(R12)    ; Add LSDs
ADC.B  1(R12)         ; Add carry to MSD

```

4.6.2.2 ADD

ADD[.W] Add source word to destination word

ADD.B Add source byte to destination byte

Syntax ADD src,dst OR ADD.W src,dst
ADD.B src,dst

Operation src + dst → dst

Description The source operand is added to the destination operand. The previous content of the destination is lost.

Status Bits N: Set if result is negative (MSB = 1), reset if positive (MSB = 0)
Z: Set if result is zero, reset otherwise
C: Set if there is a carry from the MSB of the result, reset otherwise
V: Set if the result of two positive operands is negative, or if the result of two negative numbers is positive, reset otherwise

Mode Bits OSCOFF, CPUOFF, and GIE are not affected.

Example Ten is added to the 16-bit counter CNTR located in lower 64 K.

```
ADD.W #10,&CNTR ; Add 10 to 16-bit counter
```

Example A table word pointed to by R5 (20-bit address in R5) is added to R6. The jump to label TONI is performed on a carry.

```
ADD.W @R5,R6 ; Add table word to R6. R6.19:16 = 0
JC TONI ; Jump if carry
... ; No carry
```

Example A table byte pointed to by R5 (20-bit address) is added to R6. The jump to label TONI is performed if no carry occurs. The table pointer is auto-incremented by 1. R6.19:8 = 0

```
ADD.B @R5+,R6 ; Add byte to R6. R5 + 1. R6: 000xxh
JNC TONI ; Jump if no carry
... ; Carry occurred
```

4.6.2.3 ADDC

ADDC[.W] Add source word and carry to destination word

ADDC.B Add source byte and carry to destination byte

Syntax `ADDC src,dst` OR `ADDC.W src,dst`
`ADDC.B src,dst`

Operation `src + dst + C → dst`

Description The source operand and the carry bit C are added to the destination operand. The previous content of the destination is lost.

Status Bits

- N: Set if result is negative (MSB = 1), reset if positive (MSB = 0)
- Z: Set if result is zero, reset otherwise
- C: Set if there is a carry from the MSB of the result, reset otherwise
- V: Set if the result of two positive operands is negative, or if the result of two negative numbers is positive, reset otherwise

Mode Bits OSCOFF, CPUOFF, and GIE are not affected.

Example Constant value 15 and the carry of the previous instruction are added to the 16-bit counter CNTR located in lower 64 K.

```
ADDC.W    #15,&CNTR    ; Add 15 + C to 16-bit CNTR
```

Example A table word pointed to by R5 (20-bit address) and the carry C are added to R6. The jump to label TONI is performed on a carry. R6.19:16 = 0

```
ADDC.W    @R5,R6      ; Add table word + C to R6
JC        TONI        ; Jump if carry
...       ; No carry
```

Example A table byte pointed to by R5 (20-bit address) and the carry bit C are added to R6. The jump to label TONI is performed if no carry occurs. The table pointer is auto-incremented by 1. R6.19:8 = 0

```
ADDC.B    @R5+,R6     ; Add table byte + C to R6. R5 + 1
JNC       TONI        ; Jump if no carry
...       ; Carry occurred
```


4.6.2.4 AND

AND[.W] Logical AND of source word with destination word

AND.B Logical AND of source byte with destination byte

Syntax AND src,dst OR AND.W src,dst
AND.B src,dst

Operation src .and. dst → dst

Description The source operand and the destination operand are logically ANDed. The result is placed into the destination. The source operand is not affected.

Status Bits N: Set if result is negative (MSB = 1), reset if positive (MSB = 0)
Z: Set if result is zero, reset otherwise
C: Set if the result is not zero, reset otherwise. C = (.not. Z)
V: Reset

Mode Bits OSCOFF, CPUOFF, and GIE are not affected.

Example The bits set in R5 (16-bit data) are used as a mask (AA55h) for the word TOM located in the lower 64 K. If the result is zero, a branch is taken to label TONI. R5.19:16 = 0

```
MOV    #AA55h,R5      ; Load 16-bit mask to R5
AND    R5,&TOM        ; TOM .and. R5 -> TOM
JZ     TONI           ; Jump if result 0
...                               ; Result > 0
```

or shorter:

```
AND    #AA55h,&TOM    ; TOM .and. AA55h -> TOM
JZ     TONI           ; Jump if result 0
```

Example A table byte pointed to by R5 (20-bit address) is logically ANDed with R6. R5 is incremented by 1 after the fetching of the byte. R6.19:8 = 0

```
AND.B  @R5+,R6       ; AND table byte with R6. R5 + 1
```

4.6.2.5 BIC

BIC[W] Clear bits set in source word in destination word

BIC.B Clear bits set in source byte in destination byte

Syntax BIC src,dst OR BIC.W src,dst
BIC.B src,dst

Operation (.not. src) .and. dst → dst

Description The inverted source operand and the destination operand are logically ANDed. The result is placed into the destination. The source operand is not affected.

Status Bits N: Not affected
Z: Not affected
C: Not affected
V: Not affected

Mode Bits OSCOFF, CPUOFF, and GIE are not affected.

Example The bits 15:14 of R5 (16-bit data) are cleared. R5.19:16 = 0

```
BIC #0C000h,R5 ; Clear R5.19:14 bits
```

Example A table word pointed to by R5 (20-bit address) is used to clear bits in R7. R7.19:16 = 0

```
BIC.W @R5,R7 ; Clear bits in R7 set in @R5
```

Example A table byte pointed to by R5 (20-bit address) is used to clear bits in Port1.

```
BIC.B @R5,&P1OUT ; Clear I/O port P1 bits set in @R5
```

4.6.2.6 BIS

BIS[.W]	Set bits set in source word in destination word
BIS.B	Set bits set in source byte in destination byte
Syntax	BIS src,dst OR BIS.W src,dst BIS.B src,dst
Operation	src .or. dst → dst
Description	The source operand and the destination operand are logically ORed. The result is placed into the destination. The source operand is not affected.
Status Bits	N: Not affected Z: Not affected C: Not affected V: Not affected
Mode Bits	OSCOFF, CPUOFF, and GIE are not affected.
Example	Bits 15 and 13 of R5 (16-bit data) are set to one. R5.19:16 = 0
	<pre>BIS #A000h,R5 ; Set R5 bits</pre>
Example	A table word pointed to by R5 (20-bit address) is used to set bits in R7. R7.19:16 = 0
	<pre>BIS.W @R5,R7 ; Set bits in R7</pre>
Example	A table byte pointed to by R5 (20-bit address) is used to set bits in Port1. R5 is incremented by 1 afterwards.
	<pre>BIS.B @R5+,&P1OUT ; Set I/O port P1 bits. R5 + 1</pre>

4.6.2.7 BIT

BIT[.W]	Test bits set in source word in destination word
BIT.B	Test bits set in source byte in destination byte
Syntax	BIT src,dst OR BIT.W src,dst BIT.B src,dst
Operation	src .and. dst
Description	The source operand and the destination operand are logically ANDed. The result affects only the status bits in SR. Register mode: the register bits Rdst.19:16 (.W) resp. Rdst. 19:8 (.B) are not cleared!
Status Bits	N: Set if result is negative (MSB = 1), reset if positive (MSB = 0) Z: Set if result is zero, reset otherwise C: Set if the result is not zero, reset otherwise. C = (.not. Z) V: Reset
Mode Bits	OSCOFF, CPUOFF, and GIE are not affected.
Example	Test if one (or both) of bits 15 and 14 of R5 (16-bit data) is set. Jump to label TONI if this is the case. R5.19:16 are not affected.

```

BIT    #C000h,R5        ; Test R5.15:14 bits
JNZ    TONI             ; At least one bit is set in R5
...    ; Both bits are reset

```

Example A table word pointed to by R5 (20-bit address) is used to test bits in R7. Jump to label TONI if at least one bit is set. R7.19:16 are not affected.

```

BIT.W  @R5,R7          ; Test bits in R7
JC     TONI            ; At least one bit is set
...    ; Both are reset

```

Example A table byte pointed to by R5 (20-bit address) is used to test bits in output Port1. Jump to label TONI if no bit is set. The next table byte is addressed.

```

BIT.B  @R5+,&P1OUT     ; Test I/O port P1 bits. R5 + 1
JNC    TONI            ; No corresponding bit is set
...    ; At least one bit is set

```

4.6.2.8 BR, BRANCH

* BR, BRANCH	Branch to destination in lower 64K address space
Syntax	BR dst
Operation	dst → PC
Emulation	MOV dst,PC
Description	An unconditional branch is taken to an address anywhere in the lower 64K address space. All source addressing modes can be used. The branch instruction is a word instruction.
Status Bits	Status bits are not affected.
Example	Examples for all addressing modes are given.

BR	#EXEC	; Branch to label EXEC or direct branch (for example #0A4h) ; Core instruction MOV @PC+,PC
BR	EXEC	; Branch to the address contained in EXEC ; Core instruction MOV X(PC),PC ; Indirect address
BR	&EXEC	; Branch to the address contained in absolute ; address EXEC ; Core instruction MOV X(0),PC ; Indirect address
BR	R5	; Branch to the address contained in R5 ; Core instruction MOV R5,PC ; Indirect R5
BR	@R5	; Branch to the address contained in the word ; pointed to by R5. ; Core instruction MOV @R5,PC ; Indirect, indirect R5
BR	@R5+	; Branch to the address contained in the word pointed ; to by R5 and increment pointer in R5 afterwards. ; The next time-S/W flow uses R5 pointer-it can ; alter program execution due to access to ; next address in a table pointed to by R5 ; Core instruction MOV @R5,PC ; Indirect, indirect R5 with autoincrement
BR	X(R5)	; Branch to the address contained in the address ; pointed to by R5 + X (for example table with address ; starting at X). X can be an address or a label ; Core instruction MOV X(R5),PC ; Indirect, indirect R5 + X

4.6.2.9 CALL

CALL	Call a subroutine in lower 64 K
Syntax	CALL dst
Operation	dst → tmp 16-bit dst is evaluated and stored SP – 2 → SP PC → @SP updated PC with return address to TOS tmp → PC saved 16-bit dst to PC
Description	A subroutine call is made from an address in the lower 64 K to a subroutine address in the lower 64 K. All seven source addressing modes can be used. The call instruction is a word instruction. The return is made with the RET instruction.
Status Bits	Status bits are not affected. PC.19:16 cleared (address in lower 64 K)
Mode Bits	OSCOFF, CPUOFF, and GIE are not affected.
Examples	Examples for all addressing modes are given. Immediate Mode: Call a subroutine at label EXEC (lower 64 K) or call directly to address.

```
CALL #EXEC           ; Start address EXEC
CALL #0AA04h        ; Start address 0AA04h
```

Symbolic Mode: Call a subroutine at the 16-bit address contained in address EXEC. EXEC is located at the address (PC + X) where X is within PC ± 32 K.

```
CALL EXEC           ; Start address at @EXEC. z16(PC)
```

Absolute Mode: Call a subroutine at the 16-bit address contained in absolute address EXEC in the lower 64 K.

```
CALL &EXEC          ; Start address at @EXEC
```

Register mode: Call a subroutine at the 16-bit address contained in register R5.15:0.

```
CALL R5             ; Start address at R5
```

Indirect Mode: Call a subroutine at the 16-bit address contained in the word pointed to by register R5 (20-bit address).

```
CALL @R5           ; Start address at @R5
```

4.6.2.10 CLR

* **CLR[.W]** Clear destination

* **CLR.B** Clear destination

Syntax CLR dst *OR* CLR.W dst
CLR.B dst

Operation 0 → dst

Emulation MOV #0,dst
MOV.B #0,dst

Description The destination operand is cleared.

Status Bits Status bits are not affected.

Example RAM word TONI is cleared.

```
CLR    TONI    ; 0 -> TONI
```

Example Register R5 is cleared.

```
CLR    R5
```

Example RAM byte TONI is cleared.

```
CLR.B  TONI    ; 0 -> TONI
```

4.6.2.11 CLRC

* CLRC	Clear carry bit
Syntax	CLRC
Operation	0 → C
Emulation	BIC #1,SR
Description	The carry bit (C) is cleared. The clear carry instruction is a word instruction.
Status Bits	N: Not affected Z: Not affected C: Cleared V: Not affected
Mode Bits	OSCOFF, CPUOFF, and GIE are not affected.
Example	The 16-bit decimal counter pointed to by R13 is added to a 32-bit counter pointed to by R12.

```

CLRC                ; C=0: defines start
DADD @R13,0(R12)    ; add 16-bit counter to low word of 32-bit counter
DADC 2(R12)         ; add carry to high word of 32-bit counter

```


4.6.2.12 CLRN

* CLRN	Clear negative bit
Syntax	CLRN
Operation	0 → N or (.NOT.src .AND. dst → dst)
Emulation	BIC #4,SR
Description	The constant 04h is inverted (0FFFBh) and is logically ANDed with the destination operand. The result is placed into the destination. The clear negative bit instruction is a word instruction.
Status Bits	N: Reset to 0 Z: Not affected C: Not affected V: Not affected
Mode Bits	OSCOFF, CPUOFF, and GIE are not affected.
Example	The negative bit in the SR is cleared. This avoids special treatment with negative numbers of the subroutine called.

```

          CLRN
          CALL SUBR
          .....
          .....
SUBR      JN      SUBRET      ; If input is negative: do nothing and return
          .....
          .....
          .....
SUBRET    RET
  
```

4.6.2.13 CLRZ

* CLRZ	Clear zero bit
Syntax	CLRZ
Operation	0 → Z or (.NOT.src .AND. dst → dst)
Emulation	BIC #2,SR
Description	The constant 02h is inverted (0FFFDh) and logically ANDed with the destination operand. The result is placed into the destination. The clear zero bit instruction is a word instruction.
Status Bits	N: Not affected Z: Reset to 0 C: Not affected V: Not affected
Mode Bits	OSCOFF, CPUOFF, and GIE are not affected.
Example	The zero bit in the SR is cleared.

CLRZ

Indirect, Auto-Increment mode: Call a subroutine at the 16-bit address contained in the word pointed to by register R5 (20-bit address) and increment the 16-bit address in R5 afterwards by 2. The next time the software uses R5 as a pointer, it can alter the program execution due to access to the next word address in the table pointed to by R5.

```
CALL @R5+          ; Start address at @R5. R5 + 2
```

Indexed mode: Call a subroutine at the 16-bit address contained in the 20-bit address pointed to by register (R5 + X); for example, a table with addresses starting at X. The address is within the lower 64KB. X is within ±32KB.

```
CALL X(R5)        ; Start address at @(R5+X). z16(R5)
```

4.6.2.14 CMP

CMP[.W]	Compare source word and destination word
CMP.B	Compare source byte and destination byte
Syntax	CMP src,dst OR CMP.W src,dst CMP.B src,dst
Operation	(.not.src) + 1 + dst or dst – src
Description	The source operand is subtracted from the destination operand. This is made by adding the 1s complement of the source + 1 to the destination. The result affects only the status bits in SR. Register mode: the register bits Rdst.19:16 (.W) resp. Rdst. 19:8 (.B) are not cleared.
Status Bits	N: Set if result is negative (src > dst), reset if positive (src ≤ dst) Z: Set if result is zero (src = dst), reset otherwise (src ≠ dst) C: Set if there is a carry from the MSB, reset otherwise V: Set if the subtraction of a negative source operand from a positive destination operand delivers a negative result, or if the subtraction of a positive source operand from a negative destination operand delivers a positive result, reset otherwise (no overflow).
Mode Bits	OSCOFF, CPUOFF, and GIE are not affected.
Example	Compare word EDE with a 16-bit constant 1800h. Jump to label TONI if EDE equals the constant. The address of EDE is within PC + 32 K.

```

CMP    #01800h,EDE    ; Compare word EDE with 1800h
JEQ    TONI           ; EDE contains 1800h
...    ; Not equal

```

Example A table word pointed to by (R5 + 10) is compared with R7. Jump to label TONI if R7 contains a lower, signed 16-bit number. R7.19:16 is not cleared. The address of the source operand is a 20-bit address in full memory range.

```

CMP.W  10(R5),R7     ; Compare two signed numbers
JL     TONI           ; R7 < 10(R5)
...    ; R7 >= 10(R5)

```

Example A table byte pointed to by R5 (20-bit address) is compared to the value in output Port1. Jump to label TONI if values are equal. The next table byte is addressed.

```

CMP.B  @R5+,&P1OUT   ; Compare P1 bits with table. R5 + 1
JEQ    TONI           ; Equal contents
...    ; Not equal

```

4.6.2.15 DADC

* **DADC[W]** Add carry decimally to destination

* **DADC.B** Add carry decimally to destination

Syntax DADC dst Or DADC.W dst
DADC.B dst

Operation dst + C → dst (decimally)

Emulation DADD #0, dst
DADD.B #0, dst

Description The carry bit (C) is added decimally to the destination.

Status Bits
N: Set if MSB is 1
Z: Set if dst is 0, reset otherwise
C: Set if destination increments from 9999 to 0000, reset otherwise
Set if destination increments from 99 to 00, reset otherwise
V: Undefined

Mode Bits OSCOFF, CPUOFF, and GIE are not affected.

Example The four-digit decimal number contained in R5 is added to an eight-digit decimal number pointed to by R8.

```

CLRC                ; Reset carry
                    ; next instruction's start condition is defined
DADD R5,0(R8)      ; Add LSDs + C
DADC 2(R8)          ; Add carry to MSD

```

Example The two-digit decimal number contained in R5 is added to a four-digit decimal number pointed to by R8.

```

CLRC                ; Reset carry
                    ; next instruction's start condition is defined
DADD.B R5,0(R8)    ; Add LSDs + C
DADC 1(R8)          ; Add carry to MSDs

```

4.6.2.16 DADD

* **DADD[W]** Add source word and carry decimally to destination word

* **DADD.B** Add source byte and carry decimally to destination byte

Syntax DADD src,dst OR DADD.W src,dst
DADD.B src,dst

Operation src + dst + C → dst (decimally)

Description The source operand and the destination operand are treated as two (.B) or four (.W) binary coded decimals (BCD) with positive signs. The source operand and the carry bit C are added decimally to the destination operand. The source operand is not affected. The previous content of the destination is lost. The result is not defined for non-BCD numbers.

Status Bits N: Set if MSB of result is 1 (word > 7999h, byte > 79h), reset if MSB is 0
Z: Set if result is zero, reset otherwise
C: Set if the BCD result is too large (word > 9999h, byte > 99h), reset otherwise
V: Undefined

Mode Bits OSCOFF, CPUOFF, and GIE are not affected.

Example Decimal 10 is added to the 16-bit BCD counter DECCNTR.

```
DADD #10h,&DECCNTR ; Add 10 to 4-digit BCD counter
```

Example The eight-digit BCD number contained in 16-bit RAM addresses BCD and BCD+2 is added decimally to an eight-digit BCD number contained in R4 and R5 (BCD+2 and R5 contain the MSDs). The carry C is added, and cleared.

```
CLRC ; Clear carry
DADD.W &BCD,R4 ; Add LSDs. R4.19:16 = 0
DADD.W &BCD+2,R5 ; Add MSDs with carry. R5.19:16 = 0
JC OVERFLOW ; Result >9999,9999: go to error routine
... ; Result ok
```

Example The two-digit BCD number contained in word BCD (16-bit address) is added decimally to a two-digit BCD number contained in R4. The carry C is added, also. R4.19:8 = 0

```
CLRC ; Clear carry
DADD.B &BCD,R4 ; Add BCD to R4 decimally.
R4: 0,00ddh
```


4.6.2.18 DECD

* DECD[.W]	Double-decrement destination
* DECD.B	Double-decrement destination
Syntax	DECD dst Or DECD.W dst DECD.B dst
Operation	dst – 2 → dst
Emulation	SUB #2, dst SUB.B #2, dst
Description	The destination operand is decremented by two. The original contents are lost.
Status Bits	N: Set if result is negative, reset if positive Z: Set if dst contained 2, reset otherwise C: Reset if dst contained 0 or 1, set otherwise V: Set if an arithmetic overflow occurs, otherwise reset Set if initial value of destination was 08001 or 08000h, otherwise reset Set if initial value of destination was 081 or 080h, otherwise reset
Mode Bits	OSCOFF, CPUOFF, and GIE are not affected.
Example	R10 is decremented by 2.

```
DECD    R10                ; Decrement R10 by two
```

```
; Move a block of 255 bytes from memory location starting with EDE to
; memory location starting with TONI.
; Tables should not overlap: start of destination address TONI must not
; be within the range EDE to EDE+0FEh
```

```
MOV     #EDE, R6
MOV     #255, R10
L$1    MOV.B  @R6+, TONI-EDE-2(R6)
DECD    R10
JNZ     L$1
```

Example Memory at location LEO is decremented by two.

```
DECD.B  LEO                ; Decrement MEM(LEO)
```

Decrement status byte STATUS by two

```
DECD.B  STATUS
```

4.6.2.19 DINT

* DINT	Disable (general) interrupts
Syntax	DINT
Operation	0 → GIE or (0FFF7h .AND. SR → SR / .NOT.src .AND. dst → dst)
Emulation	BIC #8,SR
Description	All interrupts are disabled. The constant 08h is inverted and logically ANDed with the SR. The result is placed into the SR.
Status Bits	Status bits are not affected.
Mode Bits	GIE is reset. OSCOFF and CPUOFF are not affected.
Example	The general interrupt enable (GIE) bit in the SR is cleared to allow a nondisrupted move of a 32-bit counter. This ensures that the counter is not modified during the move by any interrupt.

```

DINT                ; All interrupt events using the GIE bit are disabled
NOP                 ; Required due to pipelined CPU architecture
MOV    COUNTHI,R5   ; Copy counter
MOV    COUNTLO,R6
EINT                ; All interrupt events using the GIE bit are enabled

```

NOTE: Disable interrupt

Due to the pipelined CPU architecture, clearing the general interrupt enable (GIE) requires special care.

- Include at least one instruction between DINT and the start of an code sequence that requires protection from interrupts. For example: Insert a NOP instruction after the DINT.
- Never clear the general interrupt enable (GIE) immediately after setting it. Insert at least one instruction in between such sequence.

The rules above apply to all instructions that clear the general interrupt enable bit. Not following these rules might result in unexpected CPU execution.

4.6.2.20 EINT

* EINT	Enable (general) interrupts
Syntax	EINT
Operation	1 → GIE or (0008h .OR. SR → SR / .src .OR. dst → dst)
Emulation	BIS #8,SR
Description	All interrupts are enabled. The constant #08h and the SR are logically ORed. The result is placed into the SR.
Status Bits	Status bits are not affected.
Mode Bits	GIE is set. OSCOFF and CPUOFF are not affected.
Example	The general interrupt enable (GIE) bit in the SR is set.

```

PUSH.B    &PLIN
BIC.B     @SP,&P1IFG ; Reset only accepted flags
NOP       ; Required due to pipelined CPU architecture
EINT      ; Preset port 1 interrupt flags stored on stack
          ; other interrupts are allowed

BIT       #Mask,@SP
JEQ       MaskOK    ; Flags are present identically to mask: jump
.....
MaskOK    BIC       #Mask,@SP
          .....
INCD     SP         ; Housekeeping: inverse to PUSH instruction
          ; at the start of interrupt subroutine. Corrects
          ; the stack pointer.

RETI
  
```

NOTE: Enable interrupt

Due to the pipelined CPU architecture, setting the general interrupt enable (GIE) requires special care.

- The instruction immediately after the enable interrupts instruction (EINT) is always executed, even if an interrupt service request is pending.
- Include at least one instruction between the clear of an interrupt enable or interrupt flag and the EINT instruction. For example: Insert a NOP instruction in front of the EINT instruction.
- Never clear the general interrupt enable (GIE) immediately after setting it. Insert at least one instruction in between such sequence.

The rules above apply to all instructions that set the general interrupt enable bit. Not following these rules might result in unexpected CPU execution.

4.6.2.21 INC

* INC[.W]	Increment destination
* INC.B	Increment destination
Syntax	INC dst OR INC.W dst INC.B dst
Operation	dst + 1 → dst
Emulation	ADD #1, dst
Description	The destination operand is incremented by one. The original contents are lost.
Status Bits	N: Set if result is negative, reset if positive Z: Set if dst contained 0FFFFh, reset otherwise Set if dst contained 0FFh, reset otherwise C: Set if dst contained 0FFFFh, reset otherwise Set if dst contained 0FFh, reset otherwise V: Set if dst contained 07FFFh, reset otherwise Set if dst contained 07Fh, reset otherwise
Mode Bits	OSCOFF, CPUOFF, and GIE are not affected.
Example	The status byte, STATUS, of a process is incremented. When it is equal to 11, a branch to OVFL is taken.
INC.B	STATUS
CMP.B	#11, STATUS
JEQ	OVFL

4.6.2.22 INCD

* INCD[.W]	Double-increment destination
* INCD.B	Double-increment destination
Syntax	INCD dst Or INCD.W dst INCD.B dst
Operation	dst + 2 → dst
Emulation	ADD #2, dst
Description	The destination operand is incremented by two. The original contents are lost.
Status Bits	N: Set if result is negative, reset if positive Z: Set if dst contained 0FFFEh, reset otherwise Set if dst contained 0FEh, reset otherwise C: Set if dst contained 0FFFEh or 0FFFFh, reset otherwise Set if dst contained 0FEh or 0FFh, reset otherwise V: Set if dst contained 07FFEh or 07FFFh, reset otherwise Set if dst contained 07Eh or 07Fh, reset otherwise
Mode Bits	OSCOFF, CPUOFF, and GIE are not affected.
Example	The item on the top of the stack (TOS) is removed without using a register.

```

.....
PUSH  R5      ; R5 is the result of a calculation, which is stored
          ; in the system stack
INCD  SP      ; Remove TOS by double-increment from stack
          ; Do not use INCD.B, SP is a word-aligned register
RET

```

Example The byte on the top of the stack is incremented by two.

```
INCD.B  0(SP) ; Byte on TOS is increment by two
```

4.6.2.23 INV

* INV[.W]	Invert destination
* INV.B	Invert destination
Syntax	INV dst OR INV.W dst INV.B dst
Operation	.not.dst → dst
Emulation	XOR #0FFFFh, dst XOR.B #0FFh, dst
Description	The destination operand is inverted. The original contents are lost.
Status Bits	N: Set if result is negative, reset if positive Z: Set if dst contained 0FFFFh, reset otherwise Set if dst contained 0FFh, reset otherwise C: Set if result is not zero, reset otherwise (= .NOT. Zero) V: Set if initial destination operand was negative, otherwise reset
Mode Bits	OSCOFF, CPUOFF, and GIE are not affected.
Example	Content of R5 is negated (twos complement).

```

MOV #00AEh, R5 ; R5 = 000AEh
INV R5 ; Invert R5, R5 = 0FF51h
INC R5 ; R5 is now negated, R5 = 0FF52h

```

Example Content of memory byte LEO is negated.

```

MOV.B #0AEh, LEO ; MEM(LEO) = 0AEh
INV.B LEO ; Invert LEO, MEM(LEO) = 051h
INC.B LEO ; MEM(LEO) is negated, MEM(LEO) = 052h

```

4.6.2.24 JC, JHS

JC	Jump if carry
JHS	Jump if higher or same (unsigned)
Syntax	JC label JHS label
Operation	If C = 1: PC + (2 × Offset) → PC If C = 0: execute the following instruction
Description	The carry bit C in the SR is tested. If it is set, the signed 10-bit word offset contained in the instruction is multiplied by two, sign extended, and added to the 20-bit PC. This means a jump in the range –511 to +512 words relative to the PC in the full memory range. If C is reset, the instruction after the jump is executed. JC is used for the test of the carry bit C. JHS is used for the comparison of unsigned numbers.
Status Bits	Status bits are not affected
Mode Bits	OSCOFF, CPUOFF, and GIE are not affected.
Example	The state of the port 1 pin P1IN.1 bit defines the program flow.

```

BIT.B #2,&P1IN      ; Port 1, bit 1 set? Bit -> C
JC    Label1       ; Yes, proceed at Label1
...           ; No, continue

```

Example If R5 ≥ R6 (unsigned), the program continues at Label2.

```

CMP   R6,R 5       ; Is R5 >= R6? Info to C
JHS   Label2       ; Yes, C = 1
...           ; No, R5 < R6. Continue

```

Example If R5 ≥ 12345h (unsigned operands), the program continues at Label2.

```

CMPA  #12345h,R5   ; Is R5 >= 12345h? Info to C
JHS   Label2       ; Yes, 12344h < R5 <= F,FFFh. C = 1
...           ; No, R5 < 12345h. Continue

```

4.6.2.25 JEQ, JZ

JEQ Jump if equal

JZ Jump if zero

Syntax JEQ label
JZ label

Operation If Z = 1: PC + (2 × Offset) → PC
If Z = 0: execute following instruction

Description The zero bit Z in the SR is tested. If it is set, the signed 10-bit word offset contained in the instruction is multiplied by two, sign extended, and added to the 20-bit PC. This means a jump in the range –511 to +512 words relative to the PC in the full memory range. If Z is reset, the instruction after the jump is executed.
JZ is used for the test of the zero bit Z.
JEQ is used for the comparison of operands.

Status Bits Status bits are not affected

Mode Bits OSCOFF, CPUOFF, and GIE are not affected.

Example The state of the P2IN.0 bit defines the program flow.

```

BIT.B  #1,&P2IN      ; Port 2, bit 0 reset?
JZ     Label1       ; Yes, proceed at Label1
...           ; No, set, continue

```

Example If R5 = 15000h (20-bit data), the program continues at Label2.

```

CMPA   #15000h,R5   ; Is R5 = 15000h? Info to SR
JEQ    Label2       ; Yes, R5 = 15000h. Z = 1
...           ; No, R5 not equal 15000h. Continue

```

Example R7 (20-bit counter) is incremented. If its content is zero, the program continues at Label4.

```

ADDA   #1,R7        ; Increment R7
JZ     Label4       ; Zero reached: Go to Label4
...           ; R7 not equal 0. Continue here.

```

4.6.2.26 JGE

JGE	Jump if greater or equal (signed)
Syntax	JGE label
Operation	If (N .xor. V) = 0: PC + (2 × Offset) → PC If (N .xor. V) = 1: execute following instruction
Description	<p>The negative bit N and the overflow bit V in the SR are tested. If both bits are set or both are reset, the signed 10-bit word offset contained in the instruction is multiplied by two, sign extended, and added to the 20-bit PC. This means a jump in the range -512 to +512 words relative to the PC in full Memory range. If only one bit is set, the instruction after the jump is executed.</p> <p>JGE is used for the comparison of signed operands: also for incorrect results due to overflow, the decision made by the JGE instruction is correct.</p> <p>Note that JGE emulates the nonimplemented JP (jump if positive) instruction if used after the instructions AND, BIT, RRA, SCTX, and TST. These instructions clear the V bit.</p>
Status Bits	Status bits are not affected.
Mode Bits	OSCOFF, CPUOFF, and GIE are not affected.
Example	If byte EDE (lower 64 K) contains positive data, go to Label1. Software can run in the full memory range.

```
TST.B  &EDE           ; Is EDE positive? V <- 0
JGE    Label1        ; Yes, JGE emulates JP
...                               ; No, 80h <= EDE <= FFh
```

Example	If the content of R6 is greater than or equal to the memory pointed to by R7, the program continues a Label5. Signed data. Data and program in full memory range.
----------------	---

```
CMP    @R7,R6        ; Is R6 >= @R7?
JGE    Label5        ; Yes, go to Label5
...                               ; No, continue here
```

Example	If R5 ≥ 12345h (signed operands), the program continues at Label2. Program in full memory range.
----------------	--

```
CMPA   #12345h,R5    ; Is R5 >= 12345h?
JGE    Label2        ; Yes, 12344h < R5 <= 7FFFFh
...                               ; No, 80000h <= R5 < 12345h
```

4.6.2.27 JL

JL Jump if less (signed)

Syntax JL label

Operation If (N .xor. V) = 1: PC + (2 × Offset) → PC
If (N .xor. V) = 0: execute following instruction

Description The negative bit N and the overflow bit V in the SR are tested. If only one is set, the signed 10-bit word offset contained in the instruction is multiplied by two, sign extended, and added to the 20-bit PC. This means a jump in the range –511 to +512 words relative to the PC in full memory range. If both bits N and V are set or both are reset, the instruction after the jump is executed.

JL is used for the comparison of signed operands: also for incorrect results due to overflow, the decision made by the JL instruction is correct.

Status Bits Status bits are not affected.

Mode Bits OSCOFF, CPUOFF, and GIE are not affected.

Example If byte EDE contains a smaller, signed operand than byte TONI, continue at Label1. The address EDE is within PC ± 32 K.

```
CMP.B  &TONI,EDE      ; Is EDE < TONI
JL     Label1         ; Yes
...                               ; No, TONI <= EDE
```

Example If the signed content of R6 is less than the memory pointed to by R7 (20-bit address), the program continues at Label5. Data and program in full memory range.

```
CMP    @R7,R6        ; Is R6 < @R7?
JL     Label5        ; Yes, go to Label5
...                               ; No, continue here
```

Example If R5 < 12345h (signed operands), the program continues at Label2. Data and program in full memory range.

```
CMPA   #12345h,R5    ; Is R5 < 12345h?
JL     Label2        ; Yes, 80000h =< R5 < 12345h
...                               ; No, 12344h < R5 <= 7FFFFh
```


4.6.2.28 JMP

JMP Jump unconditionally

Syntax JMP label

Operation PC + (2 × Offset) → PC

Description The signed 10-bit word offset contained in the instruction is multiplied by two, sign extended, and added to the 20-bit PC. This means an unconditional jump in the range –511 to +512 words relative to the PC in the full memory. The JMP instruction may be used as a BR or BRA instruction within its limited range relative to the PC.

Status Bits Status bits are not affected

Mode Bits OSCOFF, CPUOFF, and GIE are not affected.

Example The byte STATUS is set to 10. Then a jump to label MAINLOOP is made. Data in lower 64 K, program in full memory range.

```
MOV.B #10,&STATUS ; Set STATUS to 10
JMP MAINLOOP ; Go to main loop
```

Example The interrupt vector TAIV of Timer_A3 is read and used for the program flow. Program in full memory range, but interrupt handlers always starts in lower 64 K.

```
ADD &TAIV,PC ; Add Timer_A interrupt vector to PC
RETI ; No Timer_A interrupt pending
JMP IHCCR1 ; Timer block 1 caused interrupt
JMP IHCCR2 ; Timer block 2 caused interrupt
RETI ; No legal interrupt, return
```

4.6.2.29 JN

JN Jump if negative

Syntax JN label

Operation If N = 1: PC + (2 × Offset) → PC
If N = 0: execute following instruction

Description The negative bit N in the SR is tested. If it is set, the signed 10-bit word offset contained in the instruction is multiplied by two, sign extended, and added to the 20-bit program PC. This means a jump in the range -511 to +512 words relative to the PC in the full memory range. If N is reset, the instruction after the jump is executed.

Status Bits Status bits are not affected.

Mode Bits OSCOFF, CPUOFF, and GIE are not affected.

Example The byte COUNT is tested. If it is negative, program execution continues at Label0. Data in lower 64 K, program in full memory range.

```
TST.B  &COUNT    ; Is byte COUNT negative?
JN     Label0     ; Yes, proceed at Label0
...     ; COUNT >= 0
```

Example R6 is subtracted from R5. If the result is negative, program continues at Label2. Program in full memory range.

```
SUB    R6,R5      ; R5 - R6 -> R5
JN     Label2     ; R5 is negative: R6 > R5 (N = 1)
...     ; R5 >= 0. Continue here.
```

Example R7 (20-bit counter) is decremented. If its content is below zero, the program continues at Label4. Program in full memory range.

```
SUBA   #1,R7     ; Decrement R7
JN     Label4    ; R7 < 0: Go to Label4
...     ; R7 >= 0. Continue here.
```

4.6.2.30 JNC, JLO

JNC	Jump if no carry
JLO	Jump if lower (unsigned)
Syntax	JNC label JLO label
Operation	If C = 0: PC + (2 × Offset) → PC If C = 1: execute following instruction
Description	The carry bit C in the SR is tested. If it is reset, the signed 10-bit word offset contained in the instruction is multiplied by two, sign extended, and added to the 20-bit PC. This means a jump in the range –511 to +512 words relative to the PC in the full memory range. If C is set, the instruction after the jump is executed. JNC is used for the test of the carry bit C. JLO is used for the comparison of unsigned numbers.
Status Bits	Status bits are not affected.
Mode Bits	OSCOFF, CPUOFF, and GIE are not affected.
Example	If byte EDE < 15, the program continues at Label2. Unsigned data. Data in lower 64 K, program in full memory range.

```

CMP.B  #15,&EDE      ; Is EDE < 15? Info to C
JLO    Label2       ; Yes, EDE < 15. C = 0
...                ; No, EDE >= 15. Continue
  
```

Example The word TONI is added to R5. If no carry occurs, continue at Label0. The address of TONI is within PC ± 32 K.

```

ADD    TONI,R5      ; TONI + R5 -> R5. Carry -> C
JNC    Label0       ; No carry
...                ; Carry = 1: continue here
  
```

4.6.2.31 JNZ, JNE

JNZ Jump if not zero

JNE Jump if not equal

Syntax JNZ label
JNE label

Operation If Z = 0: PC + (2 × Offset) → PC
If Z = 1: execute following instruction

Description The zero bit Z in the SR is tested. If it is reset, the signed 10-bit word offset contained in the instruction is multiplied by two, sign extended, and added to the 20-bit PC. This means a jump in the range –511 to +512 words relative to the PC in the full memory range. If Z is set, the instruction after the jump is executed.

JNZ is used for the test of the zero bit Z.

JNE is used for the comparison of operands.

Status Bits Status bits are not affected.

Mode Bits OSCOFF, CPUOFF, and GIE are not affected.

Example The byte STATUS is tested. If it is not zero, the program continues at Label3. The address of STATUS is within PC ± 32 K.

```
TST.B STATUS          ; Is STATUS = 0?
JNZ Label3           ; No, proceed at Label3
...                  ; Yes, continue here
```

Example If word EDE ≠ 1500, the program continues at Label2. Data in lower 64 K, program in full memory range.

```
CMP #1500,&EDE       ; Is EDE = 1500? Info to SR
JNE Label2           ; No, EDE not equal 1500.
...                  ; Yes, R5 = 1500. Continue
```

Example R7 (20-bit counter) is decremented. If its content is not zero, the program continues at Label4. Program in full memory range.

```
SUBA #1,R7           ; Decrement R7
JNZ Label4           ; Zero not reached: Go to Label4
...                  ; Yes, R7 = 0. Continue here.
```

4.6.2.32 MOV

MOV[.W]	Move source word to destination word
MOV.B	Move source byte to destination byte
Syntax	MOV src,dst OR MOV.W src,dst MOV.B src,dst
Operation	src → dst
Description	The source operand is copied to the destination. The source operand is not affected.
Status Bits	N: Not affected Z: Not affected C: Not affected V: Not affected
Mode Bits	OSCOFF, CPUOFF, and GIE are not affected.
Example	Move a 16-bit constant 1800h to absolute address-word EDE (lower 64 K)

```
MOV    #01800h,&EDE           ; Move 1800h to EDE
```

Example The contents of table EDE (word data, 16-bit addresses) are copied to table TOM. The length of the tables is 030h words. Both tables reside in the lower 64 K.

```
MOV    #EDE,R10              ; Prepare pointer (16-bit address)
Loop   MOV    @R10+,TOM-EDE-2(R10) ; R10 points to both tables.
                                   ; R10+2
CMP    #EDE+60h,R10         ; End of table reached?
JLO    Loop                  ; Not yet
...    ; Copy completed
```

Example The contents of table EDE (byte data, 16-bit addresses) are copied to table TOM. The length of the tables is 020h bytes. Both tables may reside in full memory range, but must be within R10 ± 32 K.

```
MOVA   #EDE,R10              ; Prepare pointer (20-bit)
MOV    #20h,R9               ; Prepare counter
Loop   MOV.B  @R10+,TOM-EDE-1(R10) ; R10 points to both tables.
                                   ; R10+1
DEC    R9                    ; Decrement counter
JNZ    Loop                  ; Not yet done
...    ; Copy completed
```

4.6.2.33 NOP

* NOP	No operation
Syntax	NOP
Operation	None
Emulation	MOV #0, R3
Description	No operation is performed. The instruction may be used for the elimination of instructions during the software check or for defined waiting times.
Status Bits	Status bits are not affected.

4.6.2.34 POP

* **POP[W]** Pop word from stack to destination

* **POP.B** Pop byte from stack to destination

Syntax POP dst

POP.B dst

Operation @SP → temp

SP + 2 → SP

temp → dst

Emulation MOV @SP+,dst or MOV.W @SP+,dst

MOV.B @SP+,dst

Description The stack location pointed to by the SP (TOS) is moved to the destination. The SP is incremented by two afterwards.

Status Bits Status bits are not affected.

Example The contents of R7 and the SR are restored from the stack.

```
POP    R7        ; Restore R7
POP    SR        ; Restore status register
```

Example The contents of RAM byte LEO is restored from the stack.

```
POP.B  LEO      ; The low byte of the stack is moved to LEO.
```

Example The contents of R7 is restored from the stack.

```
POP.B  R7        ; The low byte of the stack is moved to R7,
                 ; the high byte of R7 is 00h
```

Example The contents of the memory pointed to by R7 and the SR are restored from the stack.

```
POP.B  0(R7)     ; The low byte of the stack is moved to the
                 ; the byte which is pointed to by R7
           : Example:  R7 = 203h
           ;           Mem(R7) = low byte of system stack
           : Example:  R7 = 20Ah
           ;           Mem(R7) = low byte of system stack
POP     SR        ; Last word on stack moved to the SR
```

NOTE: System stack pointer

The system SP is always incremented by two, independent of the byte suffix.

4.6.2.35 PUSH

PUSH[.W] Save a word on the stack

PUSH.B Save a byte on the stack

Syntax PUSH dst OR PUSH.W dst
PUSH.B dst

Operation SP – 2 → SP
dst → @SP

Description The 20-bit SP is decremented by two. The operand is then copied to the RAM word addressed by the SP. A pushed byte is stored in the low byte; the high byte is not affected.

Status Bits Status bits are not affected.

Mode Bits OSCOFF, CPUOFF, and GIE are not affected.

Example Save the two 16-bit registers R9 and R10 on the stack

```
PUSH R9 ; Save R9 and R10 XXXXh
PUSH R10 ; YYYYh
```

Example Save the two bytes EDE and TONI on the stack. The addresses EDE and TONI are within PC ± 32 K.

```
PUSH.B EDE ; Save EDE xxXXh
PUSH.B TONI ; Save TONI xxYYh
```


4.6.2.36 RET

*** RET** Return from subroutine

Syntax RET

Operation @SP → PC.15:0 Saved PC to PC.15:0. PC.19:16 ← 0
 SP + 2 → SP

Description The 16-bit return address (lower 64 K), pushed onto the stack by a CALL instruction is restored to the PC. The program continues at the address following the subroutine call. The four MSBs of the PC.19:16 are cleared.

Status Bits Status bits are not affected.
 PC.19:16: Cleared

Mode Bits OSCOFF, CPUOFF, and GIE are not affected.

Example Call a subroutine SUBR in the lower 64 K and return to the address in the lower 64 K after the CALL.

```

CALL    #SUBR    ; Call subroutine starting at SUBR
...
SUBR    PUSH    R14    ; Save R14 (16 bit data)
...
        ; Subroutine code
SUBR    POP     R14    ; Restore R14
SUBR    RET     ; Return to lower 64 K
    
```

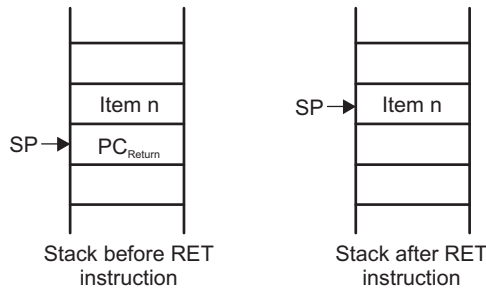


Figure 4-37. Stack After a RET Instruction

4.6.2.37 RETI
RETI Return from interrupt

Syntax RETI

Operation @SP → SR.15:0 Restore saved SR with PC.19:16
SP + 2 → SP
@SP → PC.15:0 Restore saved PC.15:0
SP + 2 → SP Housekeeping

Description The SR is restored to the value at the beginning of the interrupt service routine. This includes the four MSBs of the PC.19:16. The SP is incremented by two afterward. The 20-bit PC is restored from PC.19:16 (from same stack location as the status bits) and PC.15:0. The 20-bit PC is restored to the value at the beginning of the interrupt service routine. The program continues at the address following the last executed instruction when the interrupt was granted. The SP is incremented by two afterward. No interrupt flags are modified by this command.

Status Bits N: Restored from stack
C: Restored from stack
Z: Restored from stack
V: Restored from stack

Mode Bits OSCOFF, CPUOFF, and GIE are restored from stack.

Example Interrupt handler in the lower 64 K. A 20-bit return address is stored on the stack.

```
INTRPT  PUSHM.A  #2,R14    ; Save R14 and R13 (20-bit data)
        ...           ; Interrupt handler code
        POPM.A   #2,R14    ; Restore R13 and R14 (20-bit data)
        RETI         ; Return to 20-bit address in full memory range
```

4.6.2.38 RLA

* RLA[.W] Rotate left arithmetically
 * RLA.B Rotate left arithmetically
Syntax RLA dst OF RLA.W dst
 RLA.B dst
Operation $C \leftarrow MSB \leftarrow MSB-1 \dots LSB+1 \leftarrow LSB \leftarrow 0$
Emulation ADD dst, dst
 ADD.B dst, dst

Description The destination operand is shifted left one position as shown in Figure 4-38. The MSB is shifted into the carry bit (C) and the LSB is filled with 0. The RLA instruction acts as a signed multiplication by 2.
 An overflow occurs if $dst \geq 04000h$ and $dst < 0C000h$ before operation is performed; the result has changed sign.

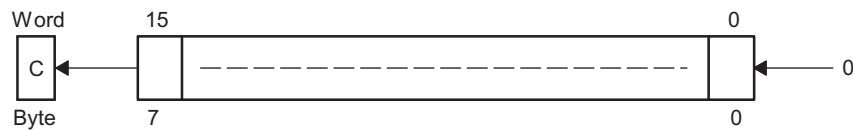


Figure 4-38. Destination Operand—Arithmetic Shift Left

An overflow occurs if $dst \geq 040h$ and $dst < 0C0h$ before the operation is performed; the result has changed sign.

Status Bits
 N: Set if result is negative, reset if positive
 Z: Set if result is zero, reset otherwise
 C: Loaded from the MSB
 V: Set if an arithmetic overflow occurs; the initial value is $04000h \leq dst < 0C000h$, reset otherwise
 Set if an arithmetic overflow occurs; the initial value is $040h \leq dst < 0C0h$, reset otherwise

Mode Bits OSCOFF, CPUOFF, and GIE are not affected.

Example R7 is multiplied by 2.

```
RLA R7 ; Shift left R7 (x 2)
```

Example The low byte of R7 is multiplied by 4.

```
RLA.B R7 ; Shift left low byte of R7 (x 2)  
RLA.B R7 ; Shift left low byte of R7 (x 4)
```

NOTE: RLA substitution

The assembler does not recognize the instructions:

```
RLA @R5+ RLA.B @R5+ RLA(.B) @R5
```

They must be substituted by:

```
ADD @R5+, -2(R5) ADD.B @R5+, -1(R5) ADD(.B) @R5
```

4.6.2.39 RLC

* **RLC[.W]** Rotate left through carry

* **RLC.B** Rotate left through carry

Syntax RLC dst OR RLC.W dst
RLC.B dst

Operation $C \leftarrow MSB \leftarrow MSB-1 \dots LSB+1 \leftarrow LSB \leftarrow C$

Emulation ADDC dst, dst

Description The destination operand is shifted left one position as shown in Figure 4-39. The carry bit (C) is shifted into the LSB, and the MSB is shifted into the carry bit (C).

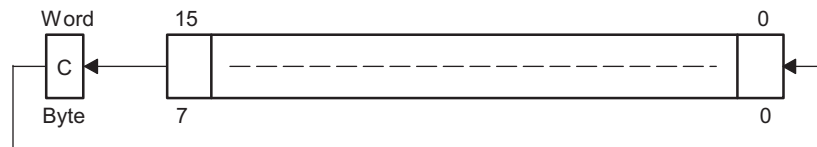


Figure 4-39. Destination Operand—Carry Left Shift

Status Bits

- N: Set if result is negative, reset if positive
- Z: Set if result is zero, reset otherwise
- C: Loaded from the MSB
- V: Set if an arithmetic overflow occurs; the initial value is $04000h \leq dst < 0C000h$, reset otherwise
Set if an arithmetic overflow occurs; the initial value is $040h \leq dst < 0C0h$, reset otherwise

Mode Bits OSCOFF, CPUOFF, and GIE are not affected.

Example R5 is shifted left one position.

```
RLC R5 ; (R5 x 2) + C -> R5
```

Example The input P1IN.1 information is shifted into the LSB of R5.

```
BIT.B #2, &P1IN ; Information -> Carry
RLC R5 ; Carry=P0in.1 -> LSB of R5
```

Example The MEM(LEO) content is shifted left one position.

```
RLC.B LEO ; Mem(LEO) x 2 + C -> Mem(LEO)
```

NOTE: RLA substitution

The assembler does not recognize the instructions:

```
RLC @R5+ RLC.B @R5+ RLC(.B) @R5
```

They must be substituted by:

```
ADDC @R5+, -2(R5) ADDC.B @R5+, -1(R5) ADDC(.B) @R5
```

4.6.2.40 RRA

RRA[W] Rotate right arithmetically destination word
RRA.B Rotate right arithmetically destination byte
Syntax RRA.B dst OR RRA.W dst
Operation MSB → MSB → MSB-1 → ... LSB+1 → LSB → C
Description The destination operand is shifted right arithmetically by one bit position as shown in Figure 4-40. The MSB retains its value (sign). RRA operates equal to a signed division by 2. The MSB is retained and shifted into the MSB-1. The LSB+1 is shifted into the LSB. The previous LSB is shifted into the carry bit C.
Status Bits
 N: Set if result is negative (MSB = 1), reset otherwise (MSB = 0)
 Z: Set if result is zero, reset otherwise
 C: Loaded from the LSB
 V: Reset
Mode Bits OSCOFF, CPUOFF, and GIE are not affected.
Example The signed 16-bit number in R5 is shifted arithmetically right one position.

```
RRA R5 ; R5/2 -> R5
```

Example The signed RAM byte EDE is shifted arithmetically right one position.

```
RRA.B EDE ; EDE/2 -> EDE
```

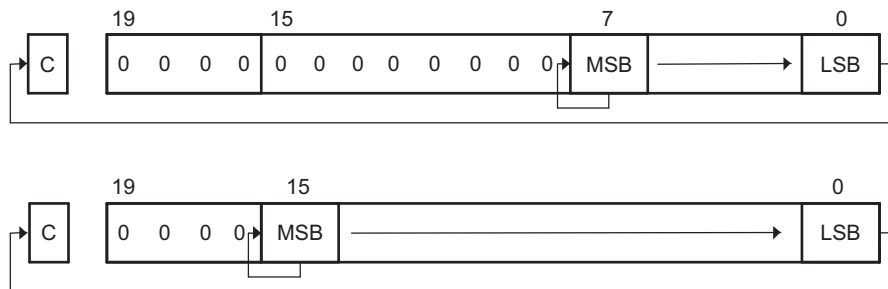


Figure 4-40. Rotate Right Arithmetically RRA.B and RRA.W

4.6.2.41 RRC

RRC[.W] Rotate right through carry destination word

RRC.B Rotate right through carry destination byte

Syntax RRC dst OF RRC.W dst
RRC.B dst

Operation C → MSB → MSB-1 → ... LSB+1 → LSB → C

Description The destination operand is shifted right by one bit position as shown in [Figure 4-41](#). The carry bit C is shifted into the MSB and the LSB is shifted into the carry bit C.

Status Bits N: Set if result is negative (MSB = 1), reset otherwise (MSB = 0)

Z: Set if result is zero, reset otherwise

C: Loaded from the LSB

V: Reset

Mode Bits OSCOFF, CPUOFF, and GIE are not affected.

Example RAM word EDE is shifted right one bit position. The MSB is loaded with 1.

```
SETC          ; Prepare carry for MSB
RRC  EDE      ; EDE = EDE >> 1 + 8000h
```

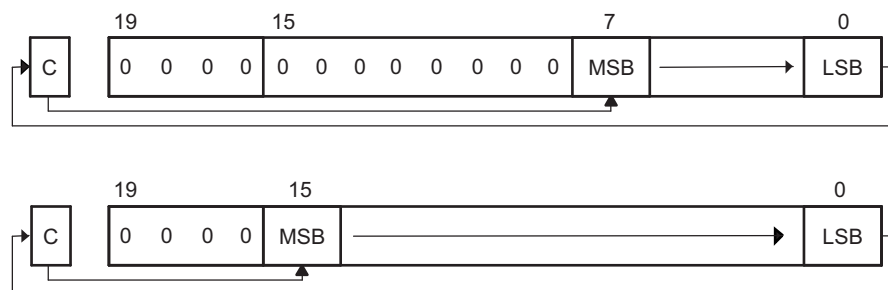


Figure 4-41. Rotate Right Through Carry RRC.B and RRC.W

4.6.2.42 SBC

* SBC[W]	Subtract borrow (.NOT. carry) from destination
* SBC.B	Subtract borrow (.NOT. carry) from destination
Syntax	SBC dst OR SBC.W dst SBC.B dst
Operation	dst + 0FFFFh + C → dst dst + 0FFh + C → dst
Emulation	SUBC #0, dst SUBC.B #0, dst
Description	The carry bit (C) is added to the destination operand minus one. The previous contents of the destination are lost.
Status Bits	N: Set if result is negative, reset if positive Z: Set if result is zero, reset otherwise C: Set if there is a carry from the MSB of the result, reset otherwise Set to 1 if no borrow, reset if borrow V: Set if an arithmetic overflow occurs, reset otherwise
Mode Bits	OSCOFF, CPUOFF, and GIE are not affected.
Example	The 16-bit counter pointed to by R13 is subtracted from a 32-bit counter pointed to by R12.

```

SUB    @R13,0(R12)    ; Subtract LSDs
SBC    2(R12)         ; Subtract carry from MSD

```

Example The 8-bit counter pointed to by R13 is subtracted from a 16-bit counter pointed to by R12.

```

SUB.B  @R13,0(R12)    ; Subtract LSDs
SBC.B  1(R12)         ; Subtract carry from MSD

```

NOTE: Borrow implementation

The borrow is treated as a .NOT. carry:

Borrow	Carry Bit
Yes	0
No	1

4.6.2.43 SETC

* SETC	Set carry bit
Syntax	SETC
Operation	1 → C
Emulation	BIS #1,SR
Description	The carry bit (C) is set.
Status Bits	N: Not affected Z: Not affected C: Set V: Not affected
Mode Bits	OSCOFF, CPUOFF, and GIE are not affected.
Example	Emulation of the decimal subtraction: Subtract R5 from R6 decimally. Assume that R5 = 03987h and R6 = 04137h.

```

DSUB  ADD    #06666h,R5    ; Move content R5 from 0-9 to 6-0Fh
                                ; R5 = 03987h + 06666h = 09FEDh
                                ; Invert this (result back to 0-9)
                                ; R5 = .NOT. R5 = 06012h
                                ; Prepare carry = 1
SETC                                     ; Prepare carry = 1
DADD  R5,R6    ; Emulate subtraction by addition of:
                                ; (010000h - R5 - 1)
                                ; R6 = R6 + R5 + 1
                                ; R6 = 0150h

```


4.6.2.44 SETN

* SETN	Set negative bit
Syntax	SETN
Operation	1 → N
Emulation	BIS #4, SR
Description	The negative bit (N) is set.
Status Bits	N: Set Z: Not affected C: Not affected V: Not affected
Mode Bits	OSCOFF, CPUOFF, and GIE are not affected.

4.6.2.45 SETZ

* SETZ	Set zero bit
Syntax	SETZ
Operation	1 → N
Emulation	BIS #2, SR
Description	The zero bit (Z) is set.
Status Bits	N: Not affected Z: Set C: Not affected V: Not affected
Mode Bits	OSCOFF, CPUOFF, and GIE are not affected.

4.6.2.46 SUB

SUB[W]	Subtract source word from destination word
SUB.B	Subtract source byte from destination byte
Syntax	SUB src,dst OR SUB.W src,dst SUB.B src,dst
Operation	(.not.src) + 1 + dst → dst or dst – src → dst
Description	The source operand is subtracted from the destination operand. This is made by adding the 1s complement of the source + 1 to the destination. The source operand is not affected, the result is written to the destination operand.
Status Bits	N: Set if result is negative (src > dst), reset if positive (src ≤ dst) Z: Set if result is zero (src = dst), reset otherwise (src ≠ dst) C: Set if there is a carry from the MSB, reset otherwise V: Set if the subtraction of a negative source operand from a positive destination operand delivers a negative result, or if the subtraction of a positive source operand from a negative destination operand delivers a positive result, reset otherwise (no overflow)
Mode Bits	OSCOFF, CPUOFF, and GIE are not affected.
Example	A 16-bit constant 7654h is subtracted from RAM word EDE.
	<pre>SUB #7654h,&EDE ; Subtract 7654h from EDE</pre>
Example	A table word pointed to by R5 (20-bit address) is subtracted from R7. Afterwards, if R7 contains zero, jump to label TONI. R5 is then auto-incremented by 2. R7.19:16 = 0.
	<pre>SUB @R5+,R7 ; Subtract table number from R7. R5 + 2 JZ TONI ; R7 = @R5 (before subtraction) ... ; R7 <> @R5 (before subtraction)</pre>
Example	Byte CNT is subtracted from byte R12 points to. The address of CNT is within PC ± 32K. The address R12 points to is in full memory range.
	<pre>SUB.B CNT,0(R12) ; Subtract CNT from @R12</pre>

4.6.2.47 SUBC

SUBC[W]	Subtract source word with carry from destination word
SUBC.B	Subtract source byte with carry from destination byte
Syntax	SUBC src,dst OR SUBC.W src,dst SUBC.B src,dst
Operation	$(.not.src) + C + dst \rightarrow dst$ or $dst - (src - 1) + C \rightarrow dst$
Description	The source operand is subtracted from the destination operand. This is done by adding the 1s complement of the source + carry to the destination. The source operand is not affected, the result is written to the destination operand. Used for 32, 48, and 64-bit operands.
Status Bits	N: Set if result is negative (MSB = 1), reset if positive (MSB = 0) Z: Set if result is zero, reset otherwise C: Set if there is a carry from the MSB, reset otherwise V: Set if the subtraction of a negative source operand from a positive destination operand delivers a negative result, or if the subtraction of a positive source operand from a negative destination operand delivers a positive result, reset otherwise (no overflow)
Mode Bits	OSCOFF, CPUOFF, and GIE are not affected.
Example	A 16-bit constant 7654h is subtracted from R5 with the carry from the previous instruction. R5.19:16 = 0

```
SUBC.W #7654h,R5 ; Subtract 7654h + C from R5
```

Example A 48-bit number (3 words) pointed to by R5 (20-bit address) is subtracted from a 48-bit counter in RAM, pointed to by R7. R5 points to the next 48-bit number afterwards. The address R7 points to is in full memory range.

```
SUB @R5+,0(R7) ; Subtract LSBs. R5 + 2
SUBC @R5+,2(R7) ; Subtract MIDs with C. R5 + 2
SUBC @R5+,4(R7) ; Subtract MSBs with C. R5 + 2
```

Example Byte CNT is subtracted from the byte, R12 points to. The carry of the previous instruction is used. The address of CNT is in lower 64 K.

```
SUBC.B &CNT,0(R12) ; Subtract byte CNT from @R12
```

4.6.2.48 SWPB

SWPB Swap bytes
Syntax SWPB dst
Operation dst.15:8 ↔ dst.7:0
Description The high and the low byte of the operand are exchanged. PC.19:16 bits are cleared in register mode.
Status Bits Status bits are not affected
Mode Bits OSCOFF, CPUOFF, and GIE are not affected.
Example Exchange the bytes of RAM word EDE (lower 64 K)

```
MOV #1234h, &EDE ; 1234h -> EDE
SWPB &EDE ; 3412h -> EDE
```

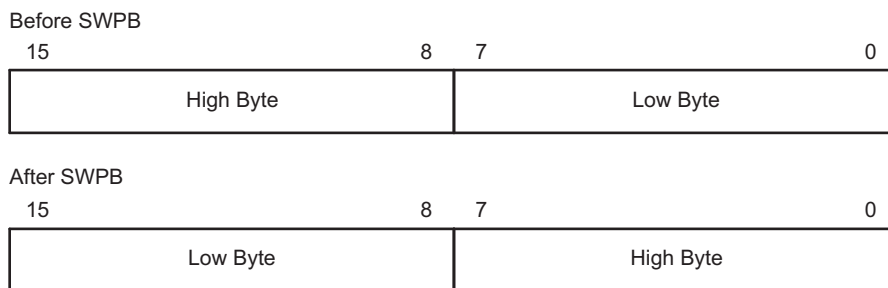


Figure 4-42. Swap Bytes in Memory

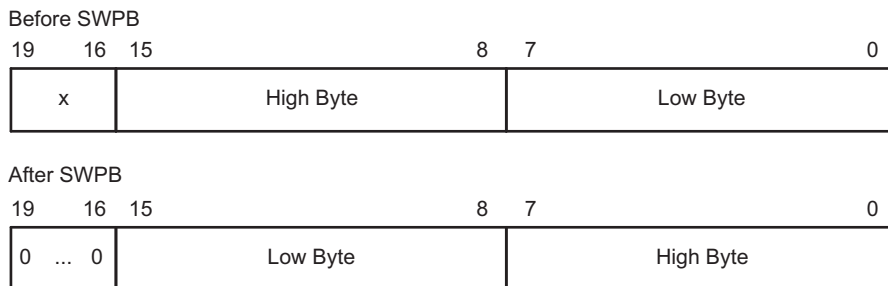


Figure 4-43. Swap Bytes in a Register

4.6.2.49 SXT

SXT	Extend sign
Syntax	SXT dst
Operation	dst.7 → dst.15:8, dst.7 → dst.19:8 (register mode)
Description	<p>Register mode: the sign of the low byte of the operand is extended into the bits Rdst.19:8.</p> <p>Rdst.7 = 0: Rdst.19:8 = 000h afterwards Rdst.7 = 1: Rdst.19:8 = FFFh afterwards</p> <p>Other modes: the sign of the low byte of the operand is extended into the high byte.</p> <p>dst.7 = 0: high byte = 00h afterwards dst.7 = 1: high byte = FFh afterwards</p>
Status Bits	<p>N: Set if result is negative, reset otherwise</p> <p>Z: Set if result is zero, reset otherwise</p> <p>C: Set if result is not zero, reset otherwise (C = .not.Z)</p> <p>V: Reset</p>
Mode Bits	OSCOFF, CPUOFF, and GIE are not affected.
Example	The signed 8-bit data in EDE (lower 64 K) is sign extended and added to the 16-bit signed data in R7.
	<pre> MOV.B &EDE,R5 ; EDE -> R5. 00XXh SXT R5 ; Sign extend low byte to R5.19:8 ADD R5,R7 ; Add signed 16-bit values </pre>
Example	The signed 8-bit data in EDE (PC +32 K) is sign extended and added to the 20-bit data in R7.
	<pre> MOV.B EDE,R5 ; EDE -> R5. 00XXh SXT R5 ; Sign extend low byte to R5.19:8 ADDA R5,R7 ; Add signed 20-bit values </pre>

4.6.2.50 TST

* TST.W]	Test destination
* TST.B	Test destination
Syntax	TST dst OR TST.W dst TST.B dst
Operation	dst + 0FFFFh + 1 dst + 0FFh + 1
Emulation	CMP #0, dst CMP.B #0, dst
Description	The destination operand is compared with zero. The status bits are set according to the result. The destination is not affected.
Status Bits	N: Set if destination is negative, reset if positive Z: Set if destination contains zero, reset otherwise C: Set V: Reset
Mode Bits	OSCOFF, CPUOFF, and GIE are not affected.
Example	R7 is tested. If it is negative, continue at R7NEG; if it is positive but not zero, continue at R7POS.

```

TST    R7        ; Test R7
JN     R7NEG     ; R7 is negative
JZ     R7ZERO    ; R7 is zero
R7POS  .....    ; R7 is positive but not zero
R7NEG  .....    ; R7 is negative
R7ZERO .....    ; R7 is zero
  
```

Example	The low byte of R7 is tested. If it is negative, continue at R7NEG; if it is positive but not zero, continue at R7POS.
----------------	--

```

TST.B  R7        ; Test low byte of R7
JN     R7NEG     ; Low byte of R7 is negative
JZ     R7ZERO    ; Low byte of R7 is zero
R7POS  .....    ; Low byte of R7 is positive but not zero
R7NEG  .....    ; Low byte of R7 is negative
R7ZERO .....    ; Low byte of R7 is zero
  
```

4.6.2.51 XOR

XOR[.W]	Exclusive OR source word with destination word
XOR.B	Exclusive OR source byte with destination byte
Syntax	XOR src,dst OR XOR.W src,dst XOR.B src,dst
Operation	src .xor. dst → dst
Description	The source and destination operands are exclusively ORed. The result is placed into the destination. The source operand is not affected. The previous content of the destination is lost.
Status Bits	N: Set if result is negative (MSB = 1), reset if positive (MSB = 0) Z: Set if result is zero, reset otherwise C: Set if result is not zero, reset otherwise (C = .not. Z) V: Set if both operands are negative before execution, reset otherwise
Mode Bits	OSCOFF, CPUOFF, and GIE are not affected.
Example	Toggle bits in word CNTR (16-bit data) with information (bit = 1) in address-word TONI. Both operands are located in lower 64 K.
	<pre>XOR &TONI,&CNTR ; Toggle bits in CNTR</pre>
Example	A table word pointed to by R5 (20-bit address) is used to toggle bits in R6. R6.19:16 = 0.
	<pre>XOR @R5,R6 ; Toggle bits in R6</pre>
Example	Reset to zero those bits in the low byte of R7 that are different from the bits in byte EDE. R7.19:8 = 0. The address of EDE is within PC ± 32 K.
	<pre>XOR.B EDE,R7 ; Set different bits to 1 in R7. INV.B R7 ; Invert low byte of R7, high byte is 0h</pre>

4.6.3 Extended Instructions

The extended MSP430X instructions give the MSP430X CPU full access to its 20-bit address space. MSP430X instructions require an additional word of op-code called the extension word. All addresses, indexes, and immediate numbers have 20-bit values when preceded by the extension word. The MSP430X extended instructions are listed and described in the following pages.

4.6.3.2 ADDX

ADDX.A Add source address-word to destination address-word

ADDX.[W] Add source word to destination word

ADDX.B Add source byte to destination byte

Syntax
 ADDX.A *src,dst*
 ADDX *src,dst* **Or** ADDX.W *src,dst*
 ADDX.B *src,dst*

Operation $src + dst \rightarrow dst$

Description The source operand is added to the destination operand. The previous contents of the destination are lost. Both operands can be located in the full address space.

Status Bits
 N: Set if result is negative (MSB = 1), reset if positive (MSB = 0)
 Z: Set if result is zero, reset otherwise
 C: Set if there is a carry from the MSB of the result, reset otherwise
 V: Set if the result of two positive operands is negative, or if the result of two negative numbers is positive, reset otherwise

Mode Bits OSCOFF, CPUOFF, and GIE are not affected.

Example Ten is added to the 20-bit pointer CNTR located in two words CNTR (LSBs) and CNTR+2 (MSBs).

```
ADDX.A    #10,CNTR    ; Add 10 to 20-bit pointer
```

Example A table word (16-bit) pointed to by R5 (20-bit address) is added to R6. The jump to label TONI is performed on a carry.

```
ADDX.W    @R5,R6     ; Add table word to R6
JC        TONI       ; Jump if carry
...       ; No carry
```

Example A table byte pointed to by R5 (20-bit address) is added to R6. The jump to label TONI is performed if no carry occurs. The table pointer is auto-incremented by 1.

```
ADDX.B    @R5+,R6    ; Add table byte to R6. R5 + 1. R6: 000xxh
JNC       TONI       ; Jump if no carry
...       ; Carry occurred
```

Note: Use ADDA for the following two cases for better code density and execution.

```
ADDX.A    Rsrc,Rdst
ADDX.A    #imm20,Rdst
```

4.6.3.3 ADDCX

ADDCX.A Add source address-word and carry to destination address-word

ADDCX.[W] Add source word and carry to destination word

ADDCX.B Add source byte and carry to destination byte

Syntax
ADDCX.A src,dst
ADDCX src,dst Or ADDCX.W src,dst
ADDCX.B src,dst

Operation src + dst + C → dst

Description The source operand and the carry bit C are added to the destination operand. The previous contents of the destination are lost. Both operands may be located in the full address space.

Status Bits
N: Set if result is negative (MSB = 1), reset if positive (MSB = 0)
Z: Set if result is zero, reset otherwise
C: Set if there is a carry from the MSB of the result, reset otherwise
V: Set if the result of two positive operands is negative, or if the result of two negative numbers is positive, reset otherwise

Mode Bits OSCOFF, CPUOFF, and GIE are not affected.

Example Constant 15 and the carry of the previous instruction are added to the 20-bit counter CNTR located in two words.

```
ADDCX.A #15,&CNTR ; Add 15 + C to 20-bit CNTR
```

Example A table word pointed to by R5 (20-bit address) and the carry C are added to R6. The jump to label TONI is performed on a carry.

```
ADDCX.W @R5,R6 ; Add table word + C to R6
JC TONI ; Jump if carry
... ; No carry
```

Example A table byte pointed to by R5 (20-bit address) and the carry bit C are added to R6. The jump to label TONI is performed if no carry occurs. The table pointer is auto-incremented by 1.

```
ADDCX.B @R5+,R6 ; Add table byte + C to R6. R5 + 1
JNC TONI ; Jump if no carry
... ; Carry occurred
```

4.6.3.4 ANDX

ANDX.A Logical AND of source address-word with destination address-word

ANDX.[W] Logical AND of source word with destination word

ANDX.B Logical AND of source byte with destination byte

Syntax
 ANDX.A *src,dst*
 ANDX *src,dst* Or ANDX.W *src,dst*
 ANDX.B *src,dst*

Operation *src .and. dst* → *dst*

Description The source operand and the destination operand are logically ANDed. The result is placed into the destination. The source operand is not affected. Both operands may be located in the full address space.

Status Bits
 N: Set if result is negative (MSB = 1), reset if positive (MSB = 0)
 Z: Set if result is zero, reset otherwise
 C: Set if the result is not zero, reset otherwise. C = (.not. Z)
 V: Reset

Mode Bits OSCOFF, CPUOFF, and GIE are not affected.

Example The bits set in R5 (20-bit data) are used as a mask (AAA55h) for the address-word TOM located in two words. If the result is zero, a branch is taken to label TONI.

```

MOVA    #AAA55h,R5      ; Load 20-bit mask to R5
ANDX.A  R5,TOM          ; TOM .and. R5 -> TOM
JZ      TONI            ; Jump if result 0
...     ; Result > 0
  
```

or shorter:

```

ANDX.A  #AAA55h,TOM     ; TOM .and. AAA55h -> TOM
JZ      TONI            ; Jump if result 0
  
```

Example A table byte pointed to by R5 (20-bit address) is logically ANDed with R6. R6.19:8 = 0. The table pointer is auto-incremented by 1.

```

ANDX.B  @R5+,R6        ; AND table byte with R6. R5 + 1
  
```

4.6.3.5 BICX

BICX.A Clear bits set in source address-word in destination address-word

BICX.[W] Clear bits set in source word in destination word

BICX.B Clear bits set in source byte in destination byte

Syntax
 BICX.A *src,dst*
 BICX *src,dst* OR BICX.W *src,dst*
 BICX.B *src,dst*

Operation (.not. *src*) .and. *dst* → *dst*

Description The inverted source operand and the destination operand are logically ANDed. The result is placed into the destination. The source operand is not affected. Both operands may be located in the full address space.

Status Bits
 N: Not affected
 Z: Not affected
 C: Not affected
 V: Not affected

Mode Bits OSCOFF, CPUOFF, and GIE are not affected.

Example The bits 19:15 of R5 (20-bit data) are cleared.

```
BICX.A #0F8000h,R5 ; Clear R5.19:15 bits
```

Example A table word pointed to by R5 (20-bit address) is used to clear bits in R7. R7.19:16 = 0.

```
BICX.W @R5,R7 ; Clear bits in R7
```

Example A table byte pointed to by R5 (20-bit address) is used to clear bits in output Port1.

```
BICX.B @R5,&P1OUT ; Clear I/O port P1 bits
```

4.6.3.6 BISX

BISX.A	Set bits set in source address-word in destination address-word
BISX.[W]	Set bits set in source word in destination word
BISX.B	Set bits set in source byte in destination byte
Syntax	<pre>BISX.A src,dst BISX src,dst Or BISX.W src,dst BISX.B src,dst</pre>
Operation	src .or. dst → dst
Description	The source operand and the destination operand are logically ORed. The result is placed into the destination. The source operand is not affected. Both operands may be located in the full address space.
Status Bits	N: Not affected Z: Not affected C: Not affected V: Not affected
Mode Bits	OSCOFF, CPUOFF, and GIE are not affected.
Example	Bits 16 and 15 of R5 (20-bit data) are set to one.

```
BISX.A    #018000h,R5    ; Set R5.16:15 bits
```

Example A table word pointed to by R5 (20-bit address) is used to set bits in R7.

```
BISX.W    @R5,R7        ; Set bits in R7
```

Example A table byte pointed to by R5 (20-bit address) is used to set bits in output Port1.

```
BISX.B    @R5,&P1OUT     ; Set I/O port P1 bits
```

4.6.3.7 BITX

BITX.A Test bits set in source address-word in destination address-word

BITX.[W] Test bits set in source word in destination word

BITX.B Test bits set in source byte in destination byte

Syntax
 BITX.A *src,dst*
 BITX *src,dst* **OR** BITX.W *src,dst*
 BITX.B *src,dst*

Operation *src* .and. *dst* → *dst*

Description The source operand and the destination operand are logically ANDed. The result affects only the status bits. Both operands may be located in the full address space.

Status Bits
 N: Set if result is negative (MSB = 1), reset if positive (MSB = 0)
 Z: Set if result is zero, reset otherwise
 C: Set if the result is not zero, reset otherwise. C = (.not. Z)
 V: Reset

Mode Bits OSCOFF, CPUOFF, and GIE are not affected.

Example Test if bit 16 or 15 of R5 (20-bit data) is set. Jump to label TONI if so.

```

BITX.A  #018000h,R5      ; Test R5.16:15 bits
JNZ     TONI             ; At least one bit is set
...                               ; Both are reset

```

Example A table word pointed to by R5 (20-bit address) is used to test bits in R7. Jump to label TONI if at least one bit is set.

```

BITX.W  @R5,R7          ; Test bits in R7: C = .not.Z
JC      TONI            ; At least one is set
...                               ; Both are reset

```

Example A table byte pointed to by R5 (20-bit address) is used to test bits in input Port1. Jump to label TONI if no bit is set. The next table byte is addressed.

```

BITX.B  @R5+,&P1IN      ; Test input P1 bits. R5 + 1
JNC     TONI            ; No corresponding input bit is set
...                               ; At least one bit is set

```


4.6.3.8 CLRX

* CLRX.A	Clear destination address-word
* CLRX.[W]	Clear destination word
* CLRX.B	Clear destination byte
Syntax	<pre> CLRX.A dst CLRX dst or CLRX.W dst CLRX.B dst </pre>
Operation	0 → dst
Emulation	<pre> MOVX.A #0,dst MOVX #0,dst MOVX.B #0,dst </pre>
Description	The destination operand is cleared.
Status Bits	Status bits are not affected.
Mode Bits	OSCOFF, CPUOFF, and GIE are not affected.
Example	RAM address-word TONI is cleared.

```
CLRX.A TONI ; 0 -> TONI
```

4.6.3.9 CMPX

CMPX.A	Compare source address-word and destination address-word
CMPX.[W]	Compare source word and destination word
CMPX.B	Compare source byte and destination byte
Syntax	CMPX.A <i>src,dst</i> CMPX <i>src,dst</i> OR CMPX.W <i>src,dst</i> CMPX.B <i>src,dst</i>
Operation	(.not. <i>src</i>) + 1 + <i>dst</i> or <i>dst</i> – <i>src</i>
Description	The source operand is subtracted from the destination operand by adding the 1s complement of the source + 1 to the destination. The result affects only the status bits. Both operands may be located in the full address space.
Status Bits	N: Set if result is negative (<i>src</i> > <i>dst</i>), reset if positive (<i>src</i> ≤ <i>dst</i>) Z: Set if result is zero (<i>src</i> = <i>dst</i>), reset otherwise (<i>src</i> ≠ <i>dst</i>) C: Set if there is a carry from the MSB, reset otherwise V: Set if the subtraction of a negative source operand from a positive destination operand delivers a negative result, or if the subtraction of a positive source operand from a negative destination operand delivers a positive result, reset otherwise (no overflow)
Mode Bits	OSCOFF, CPUOFF, and GIE are not affected.
Example	Compare EDE with a 20-bit constant 18000h. Jump to label TONI if EDE equals the constant.

```
CMPX.A  #018000h,EDE      ; Compare EDE with 18000h
JEQ     TONI              ; EDE contains 18000h
...     ; Not equal
```

Example A table word pointed to by R5 (20-bit address) is compared with R7. Jump to label TONI if R7 contains a lower, signed, 16-bit number.

```
CMPX.W  @R5,R7           ; Compare two signed numbers
JL      TONI              ; R7 < @R5
...     ; R7 >= @R5
```

Example A table byte pointed to by R5 (20-bit address) is compared to the input in I/O Port1. Jump to label TONI if the values are equal. The next table byte is addressed.

```
CMPX.B  @R5+,&P1IN       ; Compare P1 bits with table. R5 + 1
JEQ     TONI              ; Equal contents
...     ; Not equal
```

Note: Use CMPA for the following two cases for better density and execution.

```
CMPA    Rsrc,Rdst
CMPA    #imm20,Rdst
```

4.6.3.10 DADCX

* **DADCX.A** Add carry decimally to destination address-word

* **DADCX.[W]** Add carry decimally to destination word

* **DADCX.B** Add carry decimally to destination byte

Syntax DADCX.A dst
 DADCX dst or DADCX.W dst
 DADCX.B dst

Operation dst + C → dst (decimally)

Emulation DADDX.A #0, dst
 DADDX #0, dst
 DADDX.B #0, dst

Description The carry bit (C) is added decimally to the destination.

Status Bits N: Set if MSB of result is 1 (address-word > 79999h, word > 7999h, byte > 79h), reset if MSB is 0
 Z: Set if result is zero, reset otherwise
 C: Set if the BCD result is too large (address-word > 99999h, word > 9999h, byte > 99h), reset otherwise
 V: Undefined

Mode Bits OSCOFF, CPUOFF, and GIE are not affected.

Example The 40-bit counter, pointed to by R12 and R13, is incremented decimally.

```
DADDX.A #1,0(R12) ; Increment lower 20 bits
DADCX.A 0(R13)    ; Add carry to upper 20 bits
```

4.6.3.11 DADDX

DADDX.A	Add source address-word and carry decimally to destination address-word
DADDX.[W]	Add source word and carry decimally to destination word
DADDX.B	Add source byte and carry decimally to destination byte
Syntax	DADDX.A src,dst DADDX src,dst Or DADDX.W src,dst DADDX.B src,dst
Operation	src + dst + C → dst (decimally)
Description	The source operand and the destination operand are treated as two (.B), four (.W), or five (.A) binary coded decimals (BCD) with positive signs. The source operand and the carry bit C are added decimally to the destination operand. The source operand is not affected. The previous contents of the destination are lost. The result is not defined for non-BCD numbers. Both operands may be located in the full address space.
Status Bits	N: Set if MSB of result is 1 (address-word > 79999h, word > 7999h, byte > 79h), reset if MSB is 0. Z: Set if result is zero, reset otherwise C: Set if the BCD result is too large (address-word > 99999h, word > 9999h, byte > 99h), reset otherwise V: Undefined
Mode Bits	OSCOFF, CPUOFF, and GIE are not affected.
Example	Decimal 10 is added to the 20-bit BCD counter DECCNTR located in two words.

```
DADDX.A #10h,&DECCNTR ; Add 10 to 20-bit BCD counter
```

Example The eight-digit BCD number contained in 20-bit addresses BCD and BCD+2 is added decimally to an eight-digit BCD number contained in R4 and R5 (BCD+2 and R5 contain the MSDs).

```
CLRC ; Clear carry
DADDX.W BCD,R4 ; Add LSDs
DADDX.W BCD+2,R5 ; Add MSDs with carry
JC OVERFLOW ; Result >99999999: go to error routine
... ; Result ok
```

Example The two-digit BCD number contained in 20-bit address BCD is added decimally to a two-digit BCD number contained in R4.

```
CLRC ; Clear carry
DADDX.B BCD,R4 ; Add BCD to R4 decimally.
; R4: 000ddh
```


4.6.3.13 DECDX

* **DECDX.A** Double-decrement destination address-word

* **DECDX.[W]** Double-decrement destination word

* **DECDX.B** Double-decrement destination byte

Syntax `DECDX.A dst`
 `DECDX dst or DECDX.W dst`
 `DECDX.B dst`

Operation `dst - 2 → dst`

Emulation `SUBX.A #2, dst`
 `SUBX #2, dst`
 `SUBX.B #2, dst`

Description The destination operand is decremented by two. The original contents are lost.

Status Bits **N:** Set if result is negative, reset if positive
 Z: Set if dst contained 2, reset otherwise
 C: Reset if dst contained 0 or 1, set otherwise
 V: Set if an arithmetic overflow occurs, otherwise reset

Mode Bits OSCOFF, CPUOFF, and GIE are not affected.

Example RAM address-word TONI is decremented by two.

```
DECDX.A TONI ; Decrement TONI
```

4.6.3.14 INCX

* INCX.A	Increment destination address-word
* INCX.[W]	Increment destination word
* INCX.B	Increment destination byte
Syntax	<pre> INCX.A dst INCX dst or INCX.W dst INCX.B dst </pre>
Operation	$dst + 1 \rightarrow dst$
Emulation	<pre> ADDX.A #1, dst ADDX #1, dst ADDX.B #1, dst </pre>
Description	The destination operand is incremented by one. The original contents are lost.
Status Bits	<p>N: Set if result is negative, reset if positive</p> <p>Z: Set if dst contained 0FFFFFFh, reset otherwise Set if dst contained 0FFFFh, reset otherwise Set if dst contained 0FFh, reset otherwise</p> <p>C: Set if dst contained 0FFFFFFh, reset otherwise Set if dst contained 0FFFFh, reset otherwise Set if dst contained 0FFh, reset otherwise</p> <p>V: Set if dst contained 07FFFh, reset otherwise Set if dst contained 07FFFh, reset otherwise Set if dst contained 07Fh, reset otherwise</p>
Mode Bits	OSCOFF, CPUOFF, and GIE are not affected.
Example	RAM address-word TONI is incremented by one.
	<pre> INCX.A TONI ; Increment TONI (20-bits) </pre>

4.6.3.15 INCDX

* INCDX.A	Double-increment destination address-word
* INCDX.[W]	Double-increment destination word
* INCDX.B	Double-increment destination byte
Syntax	<pre>INCDX.A dst INCDX dst or INCDX.W dst INCDX.B dst</pre>
Operation	$dst + 2 \rightarrow dst$
Emulation	<pre>ADDX.A #2, dst ADDX #2, dst ADDX.B #2, dst</pre>
Description	The destination operand is incremented by two. The original contents are lost.
Status Bits	<p>N: Set if result is negative, reset if positive</p> <p>Z: Set if dst contained 0FFFFEh, reset otherwise Set if dst contained 0FFFEh, reset otherwise Set if dst contained 0FEh, reset otherwise</p> <p>C: Set if dst contained 0FFFFEh or 0FFFFFFh, reset otherwise Set if dst contained 0FFFEh or 0FFFFh, reset otherwise Set if dst contained 0FEh or 0FFh, reset otherwise</p> <p>V: Set if dst contained 07FFFEh or 07FFFFh, reset otherwise Set if dst contained 07FFEh or 07FFFh, reset otherwise Set if dst contained 07Eh or 07Fh, reset otherwise</p>
Mode Bits	OSCOFF, CPUOFF, and GIE are not affected.
Example	RAM byte LEO is incremented by two; PC points to upper memory.

```
INCDX.B LEO ; Increment LEO by two
```


4.6.3.16 INVX

* INVX.A	Invert destination
* INVX.[W]	Invert destination
* INVX.B	Invert destination
Syntax	<pre> INVX.A dst INVX dst or INVX.W dst INVX.B dst </pre>
Operation	.NOT.dst → dst
Emulation	<pre> XORX.A #0FFFFFFh, dst XORX #0FFFFFFh, dst XORX.B #0FFh, dst </pre>
Description	The destination operand is inverted. The original contents are lost.
Status Bits	<p>N: Set if result is negative, reset if positive</p> <p>Z: Set if dst contained 0FFFFFFh, reset otherwise Set if dst contained 0FFFFh, reset otherwise Set if dst contained 0FFh, reset otherwise</p> <p>C: Set if result is not zero, reset otherwise (= .NOT. Zero)</p> <p>V: Set if initial destination operand was negative, otherwise reset</p>
Mode Bits	OSCOFF, CPUOFF, and GIE are not affected.
Example	20-bit content of R5 is negated (twos complement).

```

INVX.A R5 ; Invert R5
INCX.A R5 ; R5 is now negated

```

Example Content of memory byte LEO is negated. PC is pointing to upper memory.

```

INVX.B LEO ; Invert LEO
INCX.B LEO ; MEM(LEO) is negated

```

4.6.3.17 MOVX

MOVX.A Move source address-word to destination address-word

MOVX.[W] Move source word to destination word

MOVX.B Move source byte to destination byte

Syntax MOVX.A *src,dst*

MOVX *src,dst* Or MOVX.W *src,dst*

MOVX.B *src,dst*

Operation *src* → *dst*

Description The source operand is copied to the destination. The source operand is not affected. Both operands may be located in the full address space.

Status Bits N: Not affected

Z: Not affected

C: Not affected

V: Not affected

Mode Bits OSCOFF, CPUOFF, and GIE are not affected.

Example Move a 20-bit constant 18000h to absolute address-word EDE

```
MOVX.A    #018000h,&EDE        ; Move 18000h to EDE
```

Example The contents of table EDE (word data, 20-bit addresses) are copied to table TOM. The length of the table is 030h words.

```

MOVX.W    #EDE,R10             ; Prepare pointer (20-bit address)
Loop      MOVX.W    @R10+,TOM-EDE-2(R10) ; R10 points to both tables.
                                                ; R10+2
MOVX.W    #EDE+60h,R10        ; End of table reached?
JLO       Loop                 ; Not yet
...
                                                ; Copy completed
```

Example The contents of table EDE (byte data, 20-bit addresses) are copied to table TOM. The length of the table is 020h bytes.

```

MOVX.W    #EDE,R10             ; Prepare pointer (20-bit)
MOV       #20h,R9              ; Prepare counter
Loop      MOVX.W    @R10+,TOM-EDE-2(R10) ; R10 points to both tables.
                                                ; R10+1
DEC       R9                   ; Decrement counter
JNZ       Loop                 ; Not yet done
...
                                                ; Copy completed
```

Ten of the 28 possible addressing combinations of the MOVX.A instruction can use the MOVA instruction. This saves two bytes and code cycles. Examples for the addressing combinations are:

MOVX.A	Rsrc,Rdst	MOVA	Rsrc,Rdst	; Reg/Reg
MOVX.A	#imm20,Rdst	MOVA	#imm20,Rdst	; Immediate/Reg
MOVX.A	&abs20,Rdst	MOVA	&abs20,Rdst	; Absolute/Reg
MOVX.A	@Rsrc,Rdst	MOVA	@Rsrc,Rdst	; Indirect/Reg
MOVX.A	@Rsrc+,Rdst	MOVA	@Rsrc+,Rdst	; Indirect,Auto/Reg
MOVX.A	Rsrc,&abs20	MOVA	Rsrc,&abs20	; Reg/Absolute

The next four replacements are possible only if 16-bit indexes are sufficient for the addressing:

MOVX.A	z20(Rsrc),Rdst	MOVA	z16(Rsrc),Rdst	; Indexed/Reg
MOVX.A	Rsrc,z20(Rdst)	MOVA	Rsrc,z16(Rdst)	; Reg/Indexed
MOVX.A	symb20,Rdst	MOVA	symb16,Rdst	; Symbolic/Reg
MOVX.A	Rsrc,symb20	MOVA	Rsrc,symb16	; Reg/Symbolic

4.6.3.18 POPM

POPM.A	Restore n CPU registers (20-bit data) from the stack				
POPM.[W]	Restore n CPU registers (16-bit data) from the stack				
Syntax	<table border="0" style="width: 100%;"> <tr> <td style="width: 60%;">POPM.A #n,Rdst</td> <td style="text-align: right;">$1 \leq n \leq 16$</td> </tr> <tr> <td>POPM.W #n,Rdst OR POPM #n,Rdst</td> <td style="text-align: right;">$1 \leq n \leq 16$</td> </tr> </table>	POPM.A #n,Rdst	$1 \leq n \leq 16$	POPM.W #n,Rdst OR POPM #n,Rdst	$1 \leq n \leq 16$
POPM.A #n,Rdst	$1 \leq n \leq 16$				
POPM.W #n,Rdst OR POPM #n,Rdst	$1 \leq n \leq 16$				
Operation	<p>POPM.A: Restore the register values from stack to the specified CPU registers. The SP is incremented by four for each register restored from stack. The 20-bit values from stack (two words per register) are restored to the registers.</p> <p>POPM.W: Restore the 16-bit register values from stack to the specified CPU registers. The SP is incremented by two for each register restored from stack. The 16-bit values from stack (one word per register) are restored to the CPU registers.</p> <p>Note : This instruction does not use the extension word.</p>				
Description	<p>POPM.A: The CPU registers pushed on the stack are moved to the extended CPU registers, starting with the CPU register (Rdst – n + 1). The SP is incremented by (n x 4) after the operation.</p> <p>POPM.W: The 16-bit registers pushed on the stack are moved back to the CPU registers, starting with CPU register (Rdst – n + 1). The SP is incremented by (n x 2) after the instruction. The MSBs (Rdst.19:16) of the restored CPU registers are cleared.</p>				
Status Bits	Status bits are not affected, except SR is included in the operation.				
Mode Bits	OSCOFF, CPUOFF, and GIE are not affected.				
Example	Restore the 20-bit registers R9, R10, R11, R12, R13 from the stack				
	<pre>POPM.A #5,R13 ; Restore R9, R10, R11, R12, R13</pre>				
Example	Restore the 16-bit registers R9, R10, R11, R12, R13 from the stack.				
	<pre>POPM.W #5,R13 ; Restore R9, R10, R11, R12, R13</pre>				

4.6.3.19 PUSHM

PUSHM.A	Save n CPU registers (20-bit data) on the stack
PUSHM.[W]	Save n CPU registers (16-bit words) on the stack
Syntax	<p>PUSHM.A #n,Rdst 1 ≤ n ≤ 16</p> <p>PUSHM.W #n,Rdst OR PUSHM #n,Rdst 1 ≤ n ≤ 16</p>
Operation	<p>PUSHM.A: Save the 20-bit CPU register values on the stack. The SP is decremented by four for each register stored on the stack. The MSBs are stored first (higher address).</p> <p>PUSHM.W: Save the 16-bit CPU register values on the stack. The SP is decremented by two for each register stored on the stack.</p>
Description	<p>PUSHM.A: The n CPU registers, starting with Rdst backwards, are stored on the stack. The SP is decremented by (n × 4) after the operation. The data (Rn.19:0) of the pushed CPU registers is not affected.</p> <p>PUSHM.W: The n registers, starting with Rdst backwards, are stored on the stack. The SP is decremented by (n × 2) after the operation. The data (Rn.19:0) of the pushed CPU registers is not affected.</p> <p>Note : This instruction does not use the extension word.</p>
Status Bits	Status bits are not affected.
Mode Bits	OSCOFF, CPUOFF, and GIE are not affected.
Example	Save the five 20-bit registers R9, R10, R11, R12, R13 on the stack
	<pre>PUSHM.A #5,R13 ; Save R13, R12, R11, R10, R9</pre>
Example	Save the five 16-bit registers R9, R10, R11, R12, R13 on the stack
	<pre>PUSHM.W #5,R13 ; Save R13, R12, R11, R10, R9</pre>

4.6.3.20 POPX

* **POPX.A** Restore single address-word from the stack

* **POPX.[W]** Restore single word from the stack

* **POPX.B** Restore single byte from the stack

Syntax POPX.A dst

POPX dst **or** POPX.W dst

POPX.B dst

Operation Restore the 8-, 16-, 20-bit value from the stack to the destination. 20-bit addresses are possible. The SP is incremented by two (byte and word operands) and by four (address-word operand).

Emulation MOVX(.B, .A) @SP+, dst

Description The item on TOS is written to the destination operand. Register mode, Indexed mode, Symbolic mode, and Absolute mode are possible. The SP is incremented by two or four.

Note: the SP is incremented by two also for byte operations.

Status Bits Status bits are not affected.

Mode Bits OSCOFF, CPUOFF, and GIE are not affected.

Example Write the 16-bit value on TOS to the 20-bit address &EDE

```
POPX.W    &EDE    ; Write word to address EDE
```

Example Write the 20-bit value on TOS to R9

```
POPX.A    R9      ; Write address-word to R9
```

4.6.3.21 PUSHX

PUSHX.A Save single address-word to the stack

PUSHX.[W] Save single word to the stack

PUSHX.B Save single byte to the stack

Syntax `PUSHX.A src`

`PUSHX src OR PUSHX.W src`

`PUSHX.B src`

Operation Save the 8-, 16-, 20-bit value of the source operand on the TOS. 20-bit addresses are possible. The SP is decremented by two (byte and word operands) or by four (address-word operand) before the write operation.

Description The SP is decremented by two (byte and word operands) or by four (address-word operand). Then the source operand is written to the TOS. All seven addressing modes are possible for the source operand.

Status Bits Status bits are not affected.

Mode Bits OSCOFF, CPUOFF, and GIE are not affected.

Example Save the byte at the 20-bit address &EDE on the stack

```
PUSHX.B    &EDE    ; Save byte at address EDE
```

Example Save the 20-bit value in R9 on the stack.

```
PUSHX.A    R9      ; Save address-word in R9
```

4.6.3.22 RLAM

RLAM.A Rotate left arithmetically the 20-bit CPU register content

RLAM.[W] Rotate left arithmetically the 16-bit CPU register content

Syntax `RLAM.A #n,Rdst` $1 \leq n \leq 4$

`RLAM.W #n,Rdst` OR `RLAM #n,Rdst` $1 \leq n \leq 4$

Operation $C \leftarrow MSB \leftarrow MSB-1 \dots LSB+1 \leftarrow LSB \leftarrow 0$

Description The destination operand is shifted arithmetically left one, two, three, or four positions as shown in [Figure 4-44](#). RLAM works as a multiplication (signed and unsigned) with 2, 4, 8, or 16. The word instruction RLAM.W clears the bits Rdst.19:16.

Note : This instruction does not use the extension word.

Status Bits N: Set if result is negative

.A: Rdst.19 = 1, reset if Rdst.19 = 0

.W: Rdst.15 = 1, reset if Rdst.15 = 0

Z: Set if result is zero, reset otherwise

C: Loaded from the MSB (n = 1), MSB-1 (n = 2), MSB-2 (n = 3), MSB-3 (n = 4)

V: Undefined

Mode Bits OSCOFF, CPUOFF, and GIE are not affected.

Example The 20-bit operand in R5 is shifted left by three positions. It operates equal to an arithmetic multiplication by 8.

`RLAM.A #3,R5 ; R5 = R5 x 8`

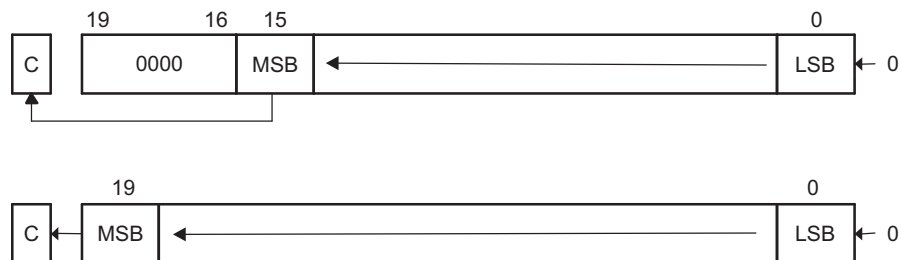


Figure 4-44. Rotate Left Arithmetically—RLAM.[W] and RLAM.A

4.6.3.24 RLCX

* **RLCX.A** Rotate left through carry address-word

* **RLCX.[W]** Rotate left through carry word

* **RLCX.B** Rotate left through carry byte

Syntax RLCX.A dst

RLCX dst OR RLCX.W dst

RLCX.B dst

Operation $C \leftarrow \text{MSB} \leftarrow \text{MSB}-1 \dots \text{LSB}+1 \leftarrow \text{LSB} \leftarrow C$

Emulation ADDCX.A dst, dst

ADDCX dst, dst

ADDCX.B dst, dst

Description The destination operand is shifted left one position as shown in [Figure 4-46](#). The carry bit (C) is shifted into the LSB and the MSB is shifted into the carry bit (C).

Status Bits N: Set if result is negative, reset if positive

Z: Set if result is zero, reset otherwise

C: Loaded from the MSB

V: Set if an arithmetic overflow occurs: the initial value is $040000\text{h} \leq \text{dst} < 0\text{C}0000\text{h}$; reset otherwise

Set if an arithmetic overflow occurs: the initial value is $04000\text{h} \leq \text{dst} < 0\text{C}000\text{h}$; reset otherwise

Set if an arithmetic overflow occurs: the initial value is $040\text{h} \leq \text{dst} < 0\text{C}0\text{h}$; reset otherwise

Mode Bits OSCOFF, CPUOFF, and GIE are not affected.

Example The 20-bit value in R5 is shifted left one position.

```
RLCX.A R5 ; (R5 x 2) + C -> R5
```

Example The RAM byte LEO is shifted left one position. PC is pointing to upper memory.

```
RLCX.B LEO ; RAM(LEO) x 2 + C -> RAM(LEO)
```

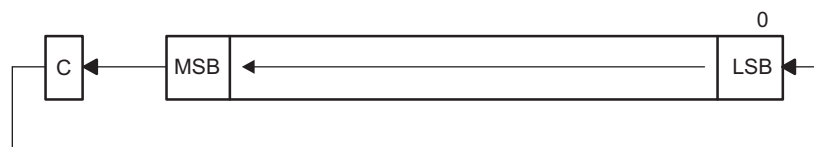


Figure 4-46. Destination Operand-Carry Left Shift

4.6.3.25 RRAM

RRAM.A Rotate right arithmetically the 20-bit CPU register content

RRAM.[W] Rotate right arithmetically the 16-bit CPU register content

Syntax
 RRAM.A #n,Rdst 1 ≤ n ≤ 4
 RRAM.W #n,Rdst OR RRAM #n,Rdst 1 ≤ n ≤ 4

Operation MSB → MSB → MSB-1 ... LSB+1 → LSB → C

Description The destination operand is shifted right arithmetically by one, two, three, or four bit positions as shown in Figure 4-47. The MSB retains its value (sign). RRAM operates equal to a signed division by 2, 4, 8, or 16. The MSB is retained and shifted into MSB-1. The LSB+1 is shifted into the LSB, and the LSB is shifted into the carry bit C. The word instruction RRAM.W clears the bits Rdst.19:16.

Note : This instruction does not use the extension word.

Status Bits
 N: Set if result is negative
 .A: Rdst.19 = 1, reset if Rdst.19 = 0
 .W: Rdst.15 = 1, reset if Rdst.15 = 0
 Z: Set if result is zero, reset otherwise
 C: Loaded from the LSB (n = 1), LSB+1 (n = 2), LSB+2 (n = 3), or LSB+3 (n = 4)
 V: Reset

Mode Bits OSCOFF, CPUOFF, and GIE are not affected.

Example The signed 20-bit number in R5 is shifted arithmetically right two positions.

```
RRAM.A #2,R5 ; R5/4 -> R5
```

Example The signed 20-bit value in R15 is multiplied by 0.75. (0.5 + 0.25) × R15.

```
PUSHM.A #1,R15 ; Save extended R15 on stack
RRAM.A #1,R15 ; R15 y 0.5 -> R15
ADDX.A @SP+,R15 ; R15 y 0.5 + R15 = 1.5 y R15 -> R15
RRAM.A #1,R15 ; (1.5 y R15) y 0.5 = 0.75 y R15 -> R15
```

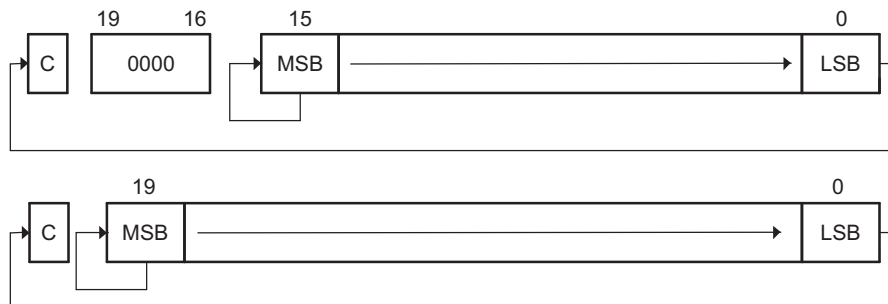


Figure 4-47. Rotate Right Arithmetically RRAM.[W] and RRAM.A

4.6.3.26 RRAX

RRAX.A Rotate right arithmetically the 20-bit operand

RRAX.[W] Rotate right arithmetically the 16-bit operand

RRAX.B Rotate right arithmetically the 8-bit operand

Syntax RRAX.A Rdst

RRAX.W Rdst

RRAX Rdst

RRAX.B Rdst

RRAX.A dst

RRAX dst **or** RRAX.W dst

RRAX.B dst

Operation MSB → MSB → MSB−1 ... LSB+1 → LSB → C

Description Register mode for the destination: the destination operand is shifted right by one bit position as shown in [Figure 4-48](#). The MSB retains its value (sign). The word instruction RRAX.W clears the bits Rdst.19:16, the byte instruction RRAX.B clears the bits Rdst.19:8. The MSB retains its value (sign), the LSB is shifted into the carry bit. RRAX here operates equal to a signed division by 2.

All other modes for the destination: the destination operand is shifted right arithmetically by one bit position as shown in [Figure 4-49](#). The MSB retains its value (sign), the LSB is shifted into the carry bit. RRAX here operates equal to a signed division by 2. All addressing modes, with the exception of the Immediate mode, are possible in the full memory.

Status Bits N: Set if result is negative, reset if positive

.A: dst.19 = 1, reset if dst.19 = 0

.W: dst.15 = 1, reset if dst.15 = 0

.B: dst.7 = 1, reset if dst.7 = 0

Z: Set if result is zero, reset otherwise

C: Loaded from the LSB

V: Reset

Mode Bits OSCOFF, CPUOFF, and GIE are not affected.

Example The signed 20-bit number in R5 is shifted arithmetically right four positions.

```
RPT      #4
RRAX.A  R5      ; R5/16 -> R5
```

Example The signed 8-bit value in EDE is multiplied by 0.5.

RRAX.B &EDE ; EDE/2 -> EDE

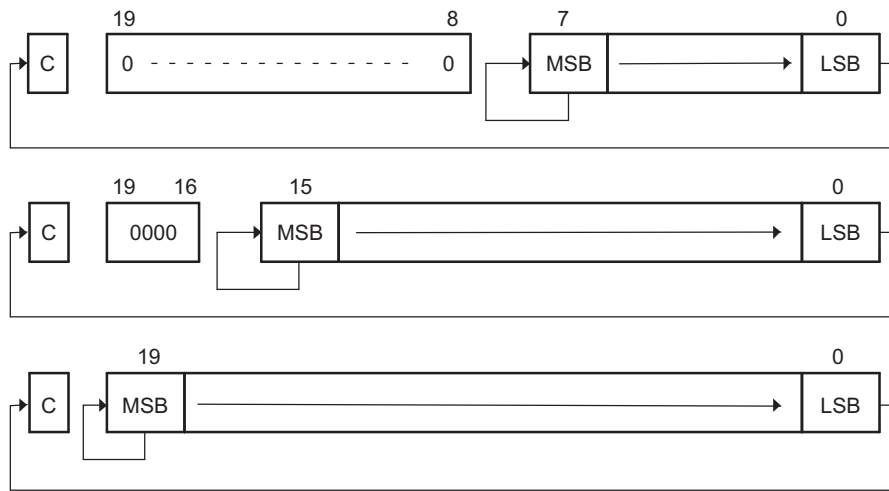


Figure 4-48. Rotate Right Arithmetically RRAX(B,A) – Register Mode

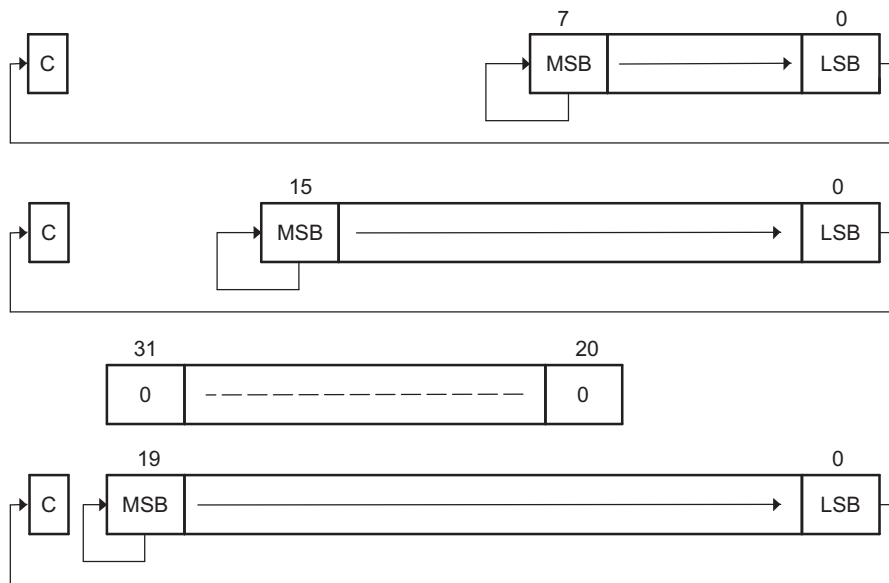


Figure 4-49. Rotate Right Arithmetically RRAX(B,A) – Non-Register Mode

4.6.3.27 RRCM

RRCM.A	Rotate right through carry the 20-bit CPU register content
RRCM.[W]	Rotate right through carry the 16-bit CPU register content
Syntax	<p>RRCM.A #n,Rdst 1 ≤ n ≤ 4</p> <p>RRCM.W #n,Rdst OR RRCM #n,Rdst 1 ≤ n ≤ 4</p>
Operation	C → MSB → MSB-1 ... LSB+1 → LSB → C
Description	<p>The destination operand is shifted right by one, two, three, or four bit positions as shown in Figure 4-50. The carry bit C is shifted into the MSB, the LSB is shifted into the carry bit. The word instruction RRCM.W clears the bits Rdst.19:16.</p> <p>Note : This instruction does not use the extension word.</p>
Status Bits	<p>N: Set if result is negative .A: Rdst.19 = 1, reset if Rdst.19 = 0 .W: Rdst.15 = 1, reset if Rdst.15 = 0</p> <p>Z: Set if result is zero, reset otherwise</p> <p>C: Loaded from the LSB (n = 1), LSB+1 (n = 2), LSB+2 (n = 3), or LSB+3 (n = 4)</p> <p>V: Reset</p>
Mode Bits	OSCOFF, CPUOFF, and GIE are not affected.

Example The address-word in R5 is shifted right by three positions. The MSB-2 is loaded with 1.

```
SETC                ; Prepare carry for MSB-2
RRCM.A #3,R5        ; R5 = R5 » 3 + 20000h
```

Example The word in R6 is shifted right by two positions. The MSB is loaded with the LSB. The MSB-1 is loaded with the contents of the carry flag.

```
RRCM.W #2,R6        ; R6 = R6 » 2. R6.19:16 = 0
```

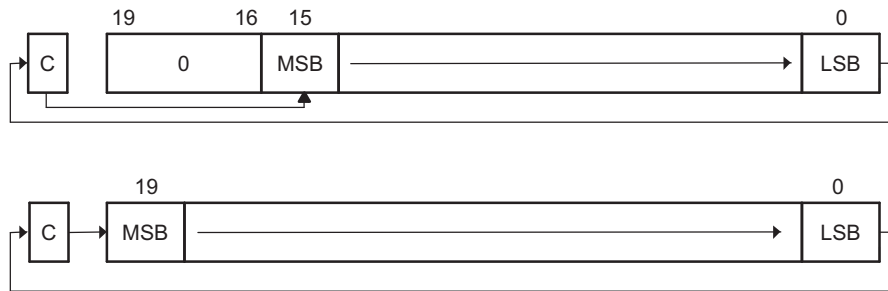


Figure 4-50. Rotate Right Through Carry RRCM[.W] and RRCM.A

4.6.3.28 RRCX

RRCX.A Rotate right through carry the 20-bit operand

RRCX.[W] Rotate right through carry the 16-bit operand

RRCX.B Rotate right through carry the 8-bit operand

Syntax RRCX.A Rdst

RRCX.W Rdst

RRCX Rdst

RRCX.B Rdst

RRCX.A dst

RRCX dst **or** RRCX.W dst

RRCX.B dst

Operation C → MSB → MSB–1 ... LSB+1 → LSB → C

Description Register mode for the destination: the destination operand is shifted right by one bit position as shown in [Figure 4-51](#). The word instruction RRCX.W clears the bits Rdst.19:16, the byte instruction RRCX.B clears the bits Rdst.19:8. The carry bit C is shifted into the MSB, the LSB is shifted into the carry bit.

All other modes for the destination: the destination operand is shifted right by one bit position as shown in [Figure 4-52](#). The carry bit C is shifted into the MSB, the LSB is shifted into the carry bit. All addressing modes, with the exception of the Immediate mode, are possible in the full memory.

Status Bits

- N: Set if result is negative
 - .A: dst.19 = 1, reset if dst.19 = 0
 - .W: dst.15 = 1, reset if dst.15 = 0
 - .B: dst.7 = 1, reset if dst.7 = 0
- Z: Set if result is zero, reset otherwise
- C: Loaded from the LSB
- V: Reset

Mode Bits OSCOFF, CPUOFF, and GIE are not affected.

Example The 20-bit operand at address EDE is shifted right by one position. The MSB is loaded with 1.

```
SETC           ; Prepare carry for MSB
RRCX.A  EDE    ; EDE = EDE » 1 + 80000h
```

Example The word in R6 is shifted right by 12 positions.


```
RPT      #12
RRCX.W  R6      ; R6 = R6 » 12. R6.19:16 = 0
```

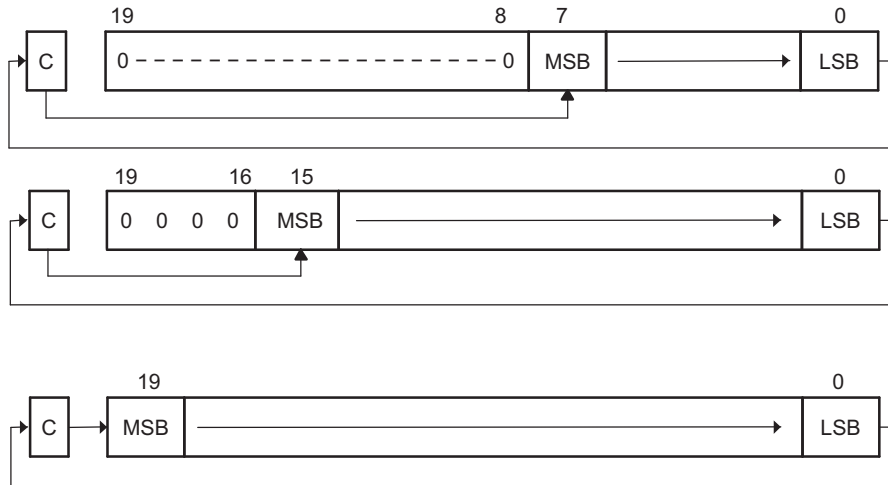


Figure 4-51. Rotate Right Through Carry RRCX(.B,.A) – Register Mode

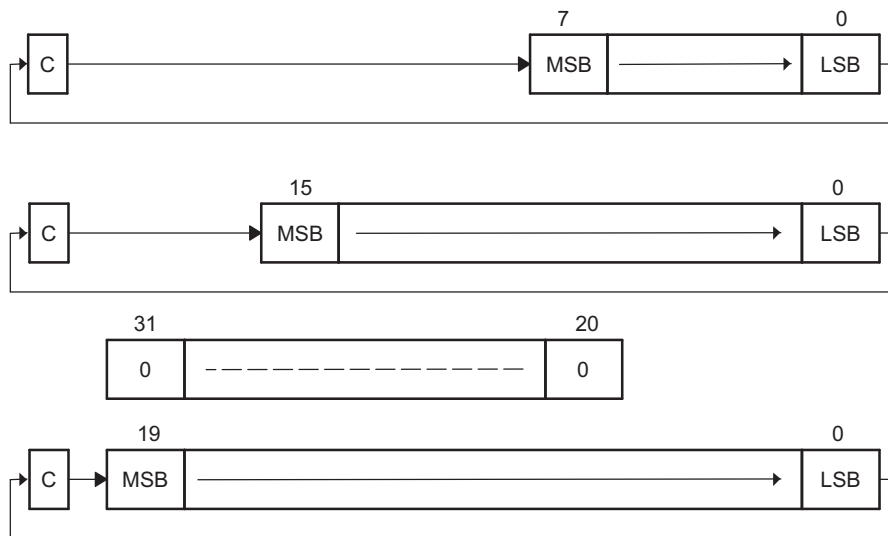


Figure 4-52. Rotate Right Through Carry RRCX(.B,.A) – Non-Register Mode

4.6.3.29 RRUM

RRUM.A Rotate right through carry the 20-bit CPU register content

RRUM.[W] Rotate right through carry the 16-bit CPU register content

Syntax
`RRUM.A #n,Rdst` $1 \leq n \leq 4$
`RRUM.W #n,Rdst` **OR** `RRUM #n,Rdst` $1 \leq n \leq 4$

Operation 0 → MSB → MSB-1 ... LSB+1 → LSB → C

Description The destination operand is shifted right by one, two, three, or four bit positions as shown in Figure 4-53. Zero is shifted into the MSB, the LSB is shifted into the carry bit. RRUM works like an unsigned division by 2, 4, 8, or 16. The word instruction RRUM.W clears the bits Rdst.19:16.

Note : This instruction does not use the extension word.

Status Bits
N: Set if result is negative
 .A: Rdst.19 = 1, reset if Rdst.19 = 0
 .W: Rdst.15 = 1, reset if Rdst.15 = 0
Z: Set if result is zero, reset otherwise
C: Loaded from the LSB (n = 1), LSB+1 (n = 2), LSB+2 (n = 3), or LSB+3 (n = 4)
V: Reset

Mode Bits OSCOFF, CPUOFF, and GIE are not affected.

Example The unsigned address-word in R5 is divided by 16.

```
RRUM.A #4,R5 ; R5 = R5 » 4. R5/16
```

Example The word in R6 is shifted right by one bit. The MSB R6.15 is loaded with 0.

```
RRUM.W #1,R6 ; R6 = R6/2. R6.19:15 = 0
```

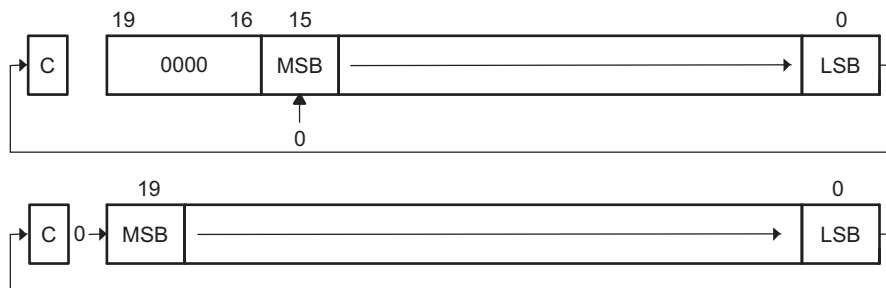


Figure 4-53. Rotate Right Unsigned RRUM.[W] and RRUM.A

4.6.3.30 RRUX

RRUX.A Shift right unsigned the 20-bit CPU register content

RRUX.[W] Shift right unsigned the 16-bit CPU register content

RRUX.B Shift right unsigned the 8-bit CPU register content

Syntax RRUX.A Rdst

RRUX.W Rdst

RRUX Rdst

RRUX.B Rdst

Operation C=0 → MSB → MSB-1 ... LSB+1 → LSB → C

Description RRUX is valid for register mode only: the destination operand is shifted right by one bit position as shown in Figure 4-54. The word instruction RRUX.W clears the bits Rdst.19:16. The byte instruction RRUX.B clears the bits Rdst.19:8. Zero is shifted into the MSB, the LSB is shifted into the carry bit.

Status Bits

- N: Set if result is negative
 - .A: dst.19 = 1, reset if dst.19 = 0
 - .W: dst.15 = 1, reset if dst.15 = 0
 - .B: dst.7 = 1, reset if dst.7 = 0
- Z: Set if result is zero, reset otherwise
- C: Loaded from the LSB
- V: Reset

Mode Bits OSCOFF, CPUOFF, and GIE are not affected.

Example The word in R6 is shifted right by 12 positions.

```
RPT      #12
RRUX.W  R6      ; R6 = R6 >> 12. R6.19:16 = 0
```

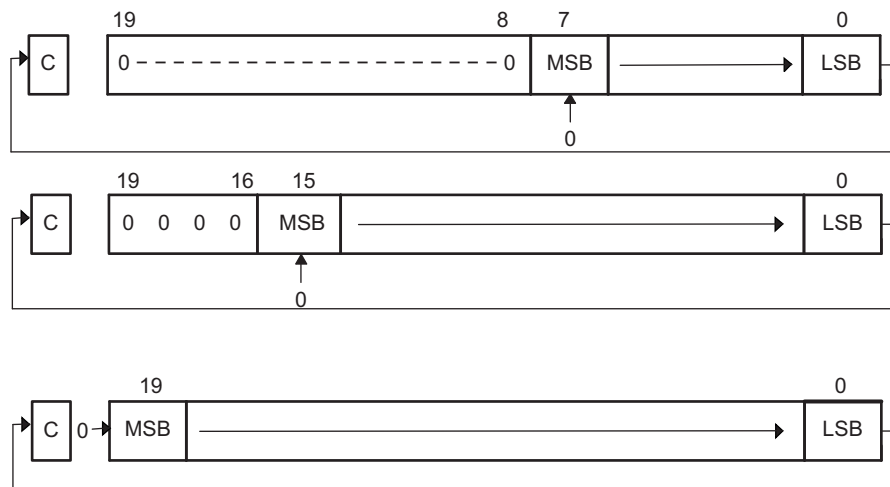


Figure 4-54. Rotate Right Unsigned RRUX(.B,.A) – Register Mode

4.6.3.31 SBCX

* SBCX.A	Subtract borrow (.NOT. carry) from destination address-word
* SBCX.[W]	Subtract borrow (.NOT. carry) from destination word
* SBCX.B	Subtract borrow (.NOT. carry) from destination byte
Syntax	SBCX.A dst SBCX dst or SBCX.W dst SBCX.B dst
Operation	dst + 0FFFFFFh + C → dst dst + 0FFFFFFh + C → dst dst + 0FFh + C → dst
Emulation	SBCX.A #0, dst SBCX #0, dst SBCX.B #0, dst
Description	The carry bit (C) is added to the destination operand minus one. The previous contents of the destination are lost.
Status Bits	N: Set if result is negative, reset if positive Z: Set if result is zero, reset otherwise C: Set if there is a carry from the MSB of the result, reset otherwise Set to 1 if no borrow, reset if borrow V: Set if an arithmetic overflow occurs, reset otherwise
Mode Bits	OSCOFF, CPUOFF, and GIE are not affected.
Example	The 8-bit counter pointed to by R13 is subtracted from a 16-bit counter pointed to by R12.

```

SUBX.B    @R13,0(R12)    ; Subtract LSDs
SBCX.B    1(R12)        ; Subtract carry from MSD

```

NOTE: Borrow implementation

The borrow is treated as a .NOT. carry:

Borrow	Carry Bit
Yes	0
No	1

4.6.3.32 SUBX

SUBX.A	Subtract source address-word from destination address-word
SUBX.[W]	Subtract source word from destination word
SUBX.B	Subtract source byte from destination byte
Syntax	<pre> SUBX.A src,dst SUBX src,dst Or SUBX.W src,dst SUBX.B src,dst </pre>
Operation	$(.not. src) + 1 + dst \rightarrow dst$ or $dst - src \rightarrow dst$
Description	The source operand is subtracted from the destination operand. This is done by adding the 1s complement of the source + 1 to the destination. The source operand is not affected. The result is written to the destination operand. Both operands may be located in the full address space.
Status Bits	<p>N: Set if result is negative ($src > dst$), reset if positive ($src \leq dst$)</p> <p>Z: Set if result is zero ($src = dst$), reset otherwise ($src \neq dst$)</p> <p>C: Set if there is a carry from the MSB, reset otherwise</p> <p>V: Set if the subtraction of a negative source operand from a positive destination operand delivers a negative result, or if the subtraction of a positive source operand from a negative destination operand delivers a positive result, reset otherwise (no overflow)</p>
Mode Bits	OSCOFF, CPUOFF, and GIE are not affected.
Example	A 20-bit constant 87654h is subtracted from EDE (LSBs) and EDE+2 (MSBs).

```
SUBX.A #87654h,EDE ; Subtract 87654h from EDE+2|EDE
```

Example A table word pointed to by R5 (20-bit address) is subtracted from R7. Jump to label TONI if R7 contains zero after the instruction. R5 is auto-incremented by two. R7.19:16 = 0.

```

SUBX.W @R5+,R7 ; Subtract table number from R7. R5 + 2
JZ TONI ; R7 = @R5 (before subtraction)
... ; R7 <> @R5 (before subtraction)
          
```

Example Byte CNT is subtracted from the byte R12 points to in the full address space. Address of CNT is within $PC \pm 512 K$.

```
SUBX.B CNT,0(R12) ; Subtract CNT from @R12
```

Note: Use SUBA for the following two cases for better density and execution.

```

SUBX.A Rsrc,Rdst
SUBX.A #imm20,Rdst
          
```

4.6.3.33 SUBCX

SUBCX.A	Subtract source address-word with carry from destination address-word
SUBCX.[W]	Subtract source word with carry from destination word
SUBCX.B	Subtract source byte with carry from destination byte
Syntax	<p>SUBCX.A <i>src</i>,<i>dst</i></p> <p>SUBCX <i>src</i>,<i>dst</i> Or SUBCX.W <i>src</i>,<i>dst</i></p> <p>SUBCX.B <i>src</i>,<i>dst</i></p>
Operation	$(.not. src) + C + dst \rightarrow dst$ or $dst - (src - 1) + C \rightarrow dst$
Description	The source operand is subtracted from the destination operand. This is made by adding the 1s complement of the source + carry to the destination. The source operand is not affected, the result is written to the destination operand. Both operands may be located in the full address space.
Status Bits	<p>N: Set if result is negative (MSB = 1), reset if positive (MSB = 0)</p> <p>Z: Set if result is zero, reset otherwise</p> <p>C: Set if there is a carry from the MSB, reset otherwise</p> <p>V: Set if the subtraction of a negative source operand from a positive destination operand delivers a negative result, or if the subtraction of a positive source operand from a negative destination operand delivers a positive result, reset otherwise (no overflow).</p>
Mode Bits	OSCOFF, CPUOFF, and GIE are not affected.
Example	A 20-bit constant 87654h is subtracted from R5 with the carry from the previous instruction.

```
SUBCX.A    #87654h,R5        ; Subtract 87654h + C from R5
```

Example A 48-bit number (3 words) pointed to by R5 (20-bit address) is subtracted from a 48-bit counter in RAM, pointed to by R7. R5 auto-increments to point to the next 48-bit number.

```
SUBX.W    @R5+,0(R7)        ; Subtract LSBs. R5 + 2
SUBCX.W   @R5+,2(R7)        ; Subtract MIDs with C. R5 + 2
SUBCX.W   @R5+,4(R7)        ; Subtract MSBs with C. R5 + 2
```

Example Byte CNT is subtracted from the byte R12 points to. The carry of the previous instruction is used. 20-bit addresses.

```
SUBCX.B   &CNT,0(R12)       ; Subtract byte CNT from @R12
```

4.6.3.34 SWPBX

SWPBX.A Swap bytes of lower word

SWPBX.[W] Swap bytes of word

Syntax SWPBX.A dst
 SWPBX dst OR SWPBX.W dst

Operation dst.15:8 ↔ dst.7:0

Description Register mode: Rn.15:8 are swapped with Rn.7:0. When the .A extension is used, Rn.19:16 are unchanged. When the .W extension is used, Rn.19:16 are cleared.
 Other modes: When the .A extension is used, bits 31:20 of the destination address are cleared, bits 19:16 are left unchanged, and bits 15:8 are swapped with bits 7:0. When the .W extension is used, bits 15:8 are swapped with bits 7:0 of the addressed word.

Status Bits Status bits are not affected.

Mode Bits OSCOFF, CPUOFF, and GIE are not affected.

Example Exchange the bytes of RAM address-word EDE

```
MOVX.A #23456h, &EDE ; 23456h -> EDE
SWPBX.A EDE ; 25634h -> EDE
```

Example Exchange the bytes of R5

```
MOVA #23456h, R5 ; 23456h -> R5
SWPBX.W R5 ; 05634h -> R5
```

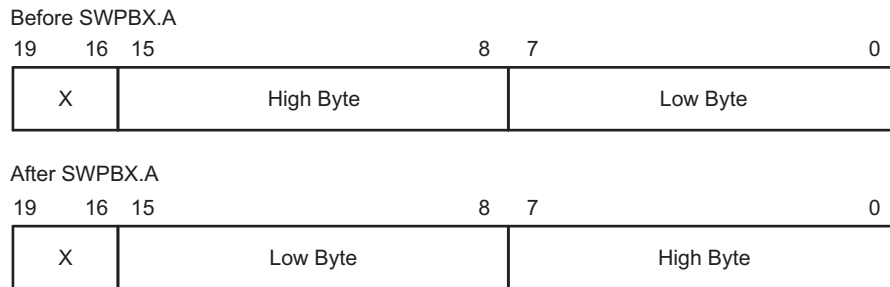


Figure 4-55. Swap Bytes SWPBX.A Register Mode

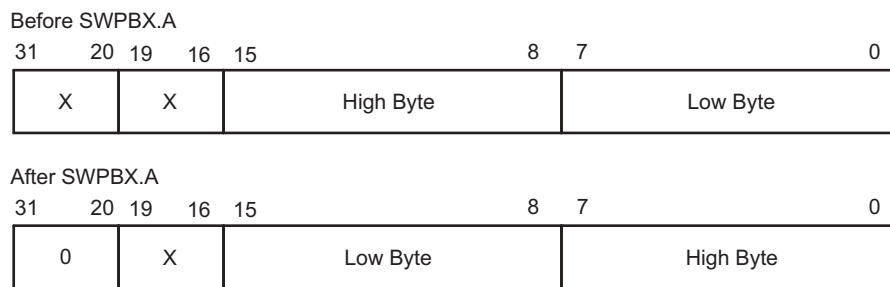


Figure 4-56. Swap Bytes SWPBX.A In Memory

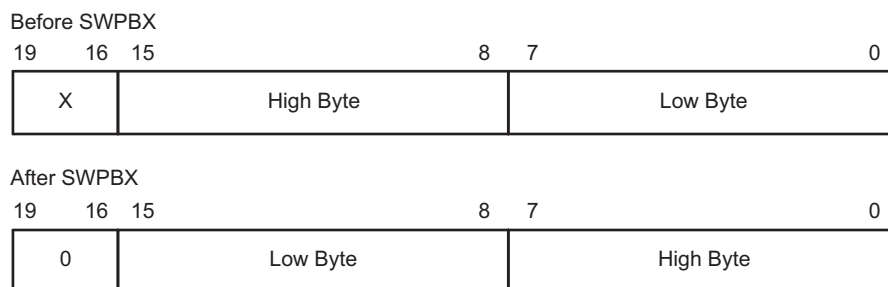


Figure 4-57. Swap Bytes SWPBX[.W] Register Mode

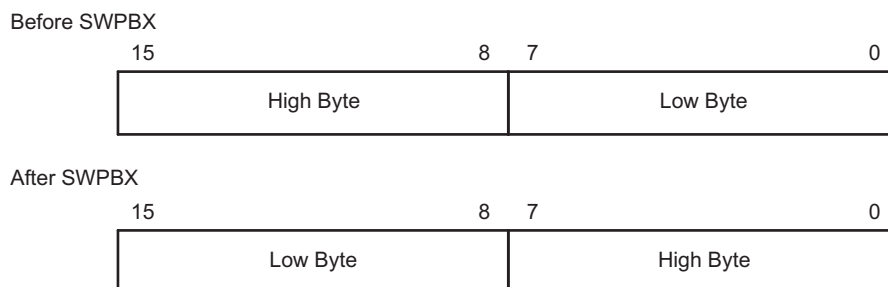


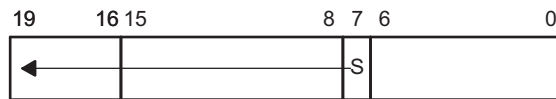
Figure 4-58. Swap Bytes SWPBX[.W] In Memory

4.6.3.35 SXTX

SXTX.A Extend sign of lower byte to address-word
SXTX.[W] Extend sign of lower byte to word
Syntax SXTX.A dst
 SXTX dst OR SXTX.W dst
Operation dst.7 → dst.15:8, Rdst.7 → Rdst.19:8 (Register mode)
Description Register mode: The sign of the low byte of the operand (Rdst.7) is extended into the bits Rdst.19:8.
 Other modes: SXTX.A: the sign of the low byte of the operand (dst.7) is extended into dst.19:8. The bits dst.31:20 are cleared.
 SXTX.[W]: the sign of the low byte of the operand (dst.7) is extended into dst.15:8.
Status Bits N: Set if result is negative, reset otherwise
 Z: Set if result is zero, reset otherwise
 C: Set if result is not zero, reset otherwise (C = .not.Z)
 V: Reset
Mode Bits OSCOFF, CPUOFF, and GIE are not affected.
Example The signed 8-bit data in EDE.7:0 is sign extended to 20 bits: EDE.19:8. Bits 31:20 located in EDE+2 are cleared.

```
SXTX.A    &EDE    ; Sign extended EDE -> EDE+2/EDE
```

SXTX.A Rdst



SXTX.A dst

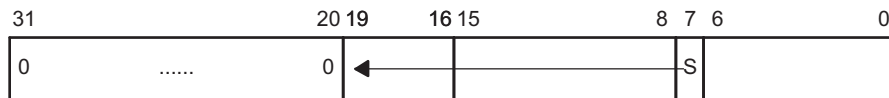
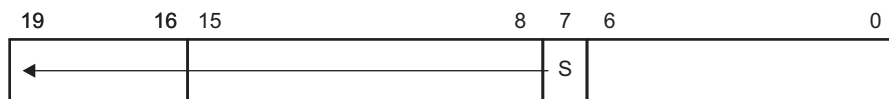


Figure 4-59. Sign Extend SXTX.A

SXTX.[W] Rdst



SXTX.[W] dst

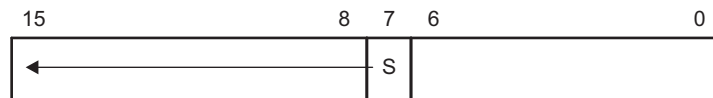


Figure 4-60. Sign Extend SXTX.[W]

4.6.3.36 TSTX

* **TSTX.A** Test destination address-word

* **TSTX.[W]** Test destination word

* **TSTX.B** Test destination byte

Syntax TSTX.A dst

TSTX dst **OR** TSTX.W dst

TSTX.B dst

Operation dst + 0FFFFFFh + 1

dst + 0FFFFFFh + 1

dst + 0FFh + 1

Emulation CMPX.A #0,dst

CMPX #0,dst

CMPX.B #0,dst

Description The destination operand is compared with zero. The status bits are set according to the result. The destination is not affected.

Status Bits N: Set if destination is negative, reset if positive

Z: Set if destination contains zero, reset otherwise

C: Set

V: Reset

Mode Bits OSCOFF, CPUOFF, and GIE are not affected.

Example RAM byte LEO is tested; PC is pointing to upper memory. If it is negative, continue at LEONEG; if it is positive but not zero, continue at LEOPOS.

```

TSTX.B LEO ; Test LEO
JN LEONEG ; LEO is negative
JZ LEOZERO ; LEO is zero
LEOPOS ..... ; LEO is positive but not zero
LEONEG ..... ; LEO is negative
LEOZERO ..... ; LEO is zero

```

4.6.3.37 XORX

XORX.A Exclusive OR source address-word with destination address-word

XORX.[W] Exclusive OR source word with destination word

XORX.B Exclusive OR source byte with destination byte

Syntax
`XORX.A src,dst`
`XORX src,dst OR XORX.W src,dst`
`XORX.B src,dst`

Operation `src .xor. dst → dst`

Description The source and destination operands are exclusively ORed. The result is placed into the destination. The source operand is not affected. The previous contents of the destination are lost. Both operands may be located in the full address space.

Status Bits
N: Set if result is negative (MSB = 1), reset if positive (MSB = 0)
Z: Set if result is zero, reset otherwise
C: Set if result is not zero, reset otherwise (carry = .not. Zero)
V: Set if both operands are negative (before execution), reset otherwise

Mode Bits OSCOFF, CPUOFF, and GIE are not affected.

Example Toggle bits in address-word CNTR (20-bit data) with information in address-word TONI (20-bit address)

```
XORX.A  TONI,&CNTR      ; Toggle bits in CNTR
```

Example A table word pointed to by R5 (20-bit address) is used to toggle bits in R6.

```
XORX.W  @R5,R6          ; Toggle bits in R6. R6.19:16 = 0
```

Example Reset to zero those bits in the low byte of R7 that are different from the bits in byte EDE (20-bit address)

```
XORX.B  EDE,R7          ; Set different bits to 1 in R7
INV.B   R7               ; Invert low byte of R7. R7.19:8 = 0.
```

4.6.4 Address Instructions

MSP430X address instructions are instructions that support 20-bit operands but have restricted addressing modes. The addressing modes are restricted to the Register mode and the Immediate mode, except for the MOVA instruction. Restricting the addressing modes removes the need for the additional extension-word op-code improving code density and execution time. The MSP430X address instructions are listed and described in the following pages.

4.6.4.1 ADDA

ADDA	Add 20-bit source to a 20-bit destination register
Syntax	ADDA Rsrc,Rdst ADDA #imm20,Rdst
Operation	src + Rdst → Rdst
Description	The 20-bit source operand is added to the 20-bit destination CPU register. The previous contents of the destination are lost. The source operand is not affected.
Status Bits	N: Set if result is negative (Rdst.19 = 1), reset if positive (Rdst.19 = 0) Z: Set if result is zero, reset otherwise C: Set if there is a carry from the 20-bit result, reset otherwise V: Set if the result of two positive operands is negative, or if the result of two negative numbers is positive, reset otherwise
Mode Bits	OSCOFF, CPUOFF, and GIE are not affected.
Example	R5 is increased by 0A4320h. The jump to TONI is performed if a carry occurs.

```

ADDA #0A4320h,R5      ; Add A4320h to 20-bit R5
JC    TONI            ; Jump on carry
...                  ; No carry occurred

```

4.6.4.2 BRA

*** BRA** Branch to destination

Syntax BRA dst

Operation dst → PC

Emulation MOVA dst,PC

Description An unconditional branch is taken to a 20-bit address anywhere in the full address space. All seven source addressing modes can be used. The branch instruction is an address-word instruction. If the destination address is contained in a memory location X, it is contained in two ascending words: X (LSBs) and (X + 2) (MSBs).

Status Bits N: Not affected

Z: Not affected

C: Not affected

V: Not affected

Mode Bits OSCOFF, CPUOFF, and GIE are not affected.

Examples Examples for all addressing modes are given.

Immediate mode: Branch to label EDE located anywhere in the 20-bit address space or branch directly to address.

```
BRA    #EDE          ; MOVA    #imm20,PC
BRA    #01AA04h
```

Symbolic mode: Branch to the 20-bit address contained in addresses EXEC (LSBs) and EXEC+2 (MSBs). EXEC is located at the address (PC + X) where X is within ±32 K. Indirect addressing.

```
BRA    EXEC          ; MOVA    z16(PC),PC
```

Note: If the 16-bit index is not sufficient, a 20-bit index may be used with the following instruction.

```
MOVX.A EXEC,PC      ; 1M byte range with 20-bit index
```

Absolute mode: Branch to the 20-bit address contained in absolute addresses EXEC (LSBs) and EXEC+2 (MSBs). Indirect addressing.

```
BRA    &EXEC          ; MOVA    &abs20,PC
```

Register mode: Branch to the 20-bit address contained in register R5. Indirect R5.

```
BRA    R5             ; MOVA    R5,PC
```

Indirect mode: Branch to the 20-bit address contained in the word pointed to by register R5 (LSBs). The MSBs have the address (R5 + 2). Indirect, indirect R5.

```
BRA    @R5            ; MOVA    @R5,PC
```

Indirect, Auto-Increment mode: Branch to the 20-bit address contained in the words pointed to by register R5 and increment the address in R5 afterwards by 4. The next time the software flow uses R5 as a pointer, it can alter the program execution due to access to the next address in the table pointed to by R5. Indirect, indirect R5.

```
BRA    @R5+          ; MOVA    @R5+,PC. R5 + 4
```

Indexed mode: Branch to the 20-bit address contained in the address pointed to by register (R5 + X) (for example, a table with addresses starting at X). (R5 + X) points to the LSBs, (R5 + X + 2) points to the MSBs of the address. X is within $R5 \pm 32\text{ K}$. Indirect, indirect (R5 + X).

```
BRA    X(R5)        ; MOVA    z16(R5),PC
```

Note: If the 16-bit index is not sufficient, a 20-bit index X may be used with the following instruction:

```
MOVX.A X(R5),PC    ; 1M byte range with 20-bit index
```

4.6.4.3 CALLA

CALLA Call a subroutine

Syntax CALLA dst

Operation dst → tmp 20-bit dst is evaluated and stored

SP – 2 → SP

PC.19:16 → @SP updated PC with return address to TOS (MSBs)

SP – 2 → SP

PC.15:0 → @SP updated PC to TOS (LSBs)

tmp → PC saved 20-bit dst to PC

Description A subroutine call is made to a 20-bit address anywhere in the full address space. All seven source addressing modes can be used. The call instruction is an address-word instruction. If the destination address is contained in a memory location X, it is contained in two ascending words, X (LSBs) and (X + 2) (MSBs). Two words on the stack are needed for the return address. The return is made with the instruction RETA.

Status Bits N: Not affected

Z: Not affected

C: Not affected

V: Not affected

Mode Bits OSCOFF, CPUOFF, and GIE are not affected.

Examples Examples for all addressing modes are given.

Immediate mode: Call a subroutine at label EXEC or call directly an address.

```
CALLA #EXEC          ; Start address EXEC
CALLA #01AA04h      ; Start address 01AA04h
```

Symbolic mode: Call a subroutine at the 20-bit address contained in addresses EXEC (LSBs) and EXEC+2 (MSBs). EXEC is located at the address (PC + X) where X is within ±32 K. Indirect addressing.

```
CALLA EXEC          ; Start address at @EXEC. z16(PC)
```

Absolute mode: Call a subroutine at the 20-bit address contained in absolute addresses EXEC (LSBs) and EXEC+2 (MSBs). Indirect addressing.

```
CALLA &EXEC          ; Start address at @EXEC
```

Register mode: Call a subroutine at the 20-bit address contained in register R5. Indirect R5.

```
CALLA R5             ; Start address at @R5
```

Indirect mode: Call a subroutine at the 20-bit address contained in the word pointed to by register R5 (LSBs). The MSBs have the address (R5 + 2). Indirect, indirect R5.

```
CALLA @R5            ; Start address at @R5
```


Indirect, Auto-Increment mode: Call a subroutine at the 20-bit address contained in the words pointed to by register R5 and increment the 20-bit address in R5 afterwards by 4. The next time the software flow uses R5 as a pointer, it can alter the program execution due to access to the next word address in the table pointed to by R5. Indirect, indirect R5.

CALLA @R5+ ; Start address at @R5. R5 + 4

Indexed mode: Call a subroutine at the 20-bit address contained in the address pointed to by register (R5 + X); for example, a table with addresses starting at X. (R5 + X) points to the LSBs, (R5 + X + 2) points to the MSBs of the word address. X is within R5 ± 32 K. Indirect, indirect (R5 + X).

CALLA X(R5) ; Start address at @(R5+X). z16(R5)

4.6.4.4 CLRA

* CLRA	Clear 20-bit destination register
Syntax	CLRA Rdst
Operation	0 → Rdst
Emulation	MOVA #0, Rdst
Description	The destination register is cleared.
Status Bits	Status bits are not affected.
Example	The 20-bit value in R10 is cleared.

```
CLRA R10 ; 0 -> R10
```

4.6.4.5 CMPA

CMPA	Compare the 20-bit source with a 20-bit destination register
Syntax	<code>CMPA Rsrc,Rdst</code> <code>CMPA #imm20,Rdst</code>
Operation	$(.not. src) + 1 + Rdst$ or $Rdst - src$
Description	The 20-bit source operand is subtracted from the 20-bit destination CPU register. This is made by adding the 1s complement of the source + 1 to the destination register. The result affects only the status bits.
Status Bits	N: Set if result is negative ($src > dst$), reset if positive ($src \leq dst$) Z: Set if result is zero ($src = dst$), reset otherwise ($src \neq dst$) C: Set if there is a carry from the MSB, reset otherwise V: Set if the subtraction of a negative source operand from a positive destination operand delivers a negative result, or if the subtraction of a positive source operand from a negative destination operand delivers a positive result, reset otherwise (no overflow)
Mode Bits	OSCOFF, CPUOFF, and GIE are not affected.
Example	A 20-bit immediate operand and R6 are compared. If they are equal, the program continues at label EQUAL.

```

CMPA #12345h,R6      ; Compare R6 with 12345h
JEQ  EQUAL          ; R6 = 12345h
...                 ; Not equal

```

Example The 20-bit values in R5 and R6 are compared. If R5 is greater than (signed) or equal to R6, the program continues at label GRE.

```

CMPA R6,R5          ; Compare R6 with R5 (R5 - R6)
JGE  GRE            ; R5 >= R6
...                 ; R5 < R6

```

4.6.4.6 DECDA

* DECDA	Double-decrement 20-bit destination register
Syntax	DECDA Rdst
Operation	Rdst – 2 → Rdst
Emulation	SUBA #2, Rdst
Description	The destination register is decremented by two. The original contents are lost.
Status Bits	<p>N: Set if result is negative, reset if positive</p> <p>Z: Set if Rdst contained 2, reset otherwise</p> <p>C: Reset if Rdst contained 0 or 1, set otherwise</p> <p>V: Set if an arithmetic overflow occurs, otherwise reset</p>
Mode Bits	OSCOFF, CPUOFF, and GIE are not affected.
Example	The 20-bit value in R5 is decremented by 2.

```
DECDA R5 ; Decrement R5 by two
```

4.6.4.7 INCD A

* INCD A	Double-increment 20-bit destination register
Syntax	INCD A Rdst
Operation	Rdst + 2 → Rdst
Emulation	ADDA #2, Rdst
Description	The destination register is incremented by two. The original contents are lost.
Status Bits	<p>N: Set if result is negative, reset if positive</p> <p>Z: Set if Rdst contained 0FFFFFFEh, reset otherwise Set if Rdst contained 0FFFFFFEh, reset otherwise Set if Rdst contained 0FEh, reset otherwise</p> <p>C: Set if Rdst contained 0FFFFFFEh or 0FFFFFFFh, reset otherwise Set if Rdst contained 0FFFFFFEh or 0FFFFFFFh, reset otherwise Set if Rdst contained 0FEh or 0FFh, reset otherwise</p> <p>V: Set if Rdst contained 07FFFFFFEh or 07FFFFFFFh, reset otherwise Set if Rdst contained 07FFFFFFEh or 07FFFFFFFh, reset otherwise Set if Rdst contained 07FEh or 07Fh, reset otherwise</p>
Mode Bits	OSCOFF, CPUOFF, and GIE are not affected.
Example	The 20-bit value in R5 is incremented by two.

```
INCD A    R5        ; Increment R5 by two
```

4.6.4.8 MOVA

MOVA	Move the 20-bit source to the 20-bit destination
Syntax	<pre> MOVA Rsrc,Rdst MOVA #imm20,Rdst MOVA z16(Rsrc),Rdst MOVA EDE,Rdst MOVA &abs20,Rdst MOVA @Rsrc,Rdst MOVA @Rsrc+,Rdst MOVA Rsrc,z16(Rdst) MOVA Rsrc,&abs20 </pre>
Operation	<pre> src → Rdst Rsrc → dst </pre>
Description	The 20-bit source operand is moved to the 20-bit destination. The source operand is not affected. The previous content of the destination is lost.
Status Bits	<pre> N: Not affected Z: Not affected C: Not affected V: Not affected </pre>
Mode Bits	OSCOFF, CPUOFF, and GIE are not affected.
Examples	Copy 20-bit value in R9 to R8
	<pre> MOVA R9,R8 ; R9 -> R8 </pre> <p>Write 20-bit immediate value 12345h to R12</p> <pre> MOVA #12345h,R12 ; 12345h -> R12 </pre> <p>Copy 20-bit value addressed by (R9 + 100h) to R8. Source operand in addresses (R9 + 100h) LSBs and (R9 + 102h) MSBs.</p> <pre> MOVA 100h(R9),R8 ; Index: + 32 K. 2 words transferred </pre> <p>Move 20-bit value in 20-bit absolute addresses EDE (LSBs) and EDE+2 (MSBs) to R12</p> <pre> MOVA &EDE,R12 ; &EDE -> R12. 2 words transferred </pre> <p>Move 20-bit value in 20-bit addresses EDE (LSBs) and EDE+2 (MSBs) to R12. PC index ± 32 K.</p> <pre> MOVA EDE,R12 ; EDE -> R12. 2 words transferred </pre> <p>Copy 20-bit value R9 points to (20 bit address) to R8. Source operand in addresses @R9 LSBs and @(R9 + 2) MSBs.</p> <pre> MOVA @R9,R8 ; @R9 -> R8. 2 words transferred </pre>

Copy 20-bit value R9 points to (20 bit address) to R8. R9 is incremented by four afterwards. Source operand in addresses @R9 LSBs and @(R9 + 2) MSBs.

MOVA @R9+,R8 ; @R9 -> R8. R9 + 4. 2 words transferred.

Copy 20-bit value in R8 to destination addressed by (R9 + 100h). Destination operand in addresses @(R9 + 100h) LSBs and @(R9 + 102h) MSBs.

MOVA R8,100h(R9) ; Index: +- 32 K. 2 words transferred

Move 20-bit value in R13 to 20-bit absolute addresses EDE (LSBs) and EDE+2 (MSBs)

MOVA R13,&EDE ; R13 -> EDE. 2 words transferred

Move 20-bit value in R13 to 20-bit addresses EDE (LSBs) and EDE+2 (MSBs). PC index \pm 32 K.

MOVA R13,EDE ; R13 -> EDE. 2 words transferred

4.6.4.9 RETA

*** RETA** Return from subroutine

Syntax RETA

Operation @SP → PC.15:0 LSBs (15:0) of saved PC to PC.15:0

SP + 2 → SP

@SP → PC.19:16 MSBs (19:16) of saved PC to PC.19:16

SP + 2 → SP

Emulation MOVA @SP+,PC

Description The 20-bit return address information, pushed onto the stack by a CALLA instruction, is restored to the PC. The program continues at the address following the subroutine call. The SR bits SR.11:0 are not affected. This allows the transfer of information with these bits.

Status Bits N: Not affected

Z: Not affected

C: Not affected

V: Not affected

Mode Bits OSCOFF, CPUOFF, and GIE are not affected.

Example Call a subroutine SUBR from anywhere in the 20-bit address space and return to the address after the CALLA

```

CALLA    #SUBR        ; Call subroutine starting at SUBR
...      ; Return by RETA to here
SUBR     PUSHM.A     #2,R14 ; Save R14 and R13 (20 bit data)
...      ; Subroutine code
         POPM.A      #2,R14 ; Restore R13 and R14 (20 bit data)
         RETA        ; Return (to full address space)

```


4.6.4.10 SUBA

SUBA	Subtract 20-bit source from 20-bit destination register
Syntax	SUBA Rsrc,Rdst SUBA #imm20,Rdst
Operation	$(\text{.not.src}) + 1 + \text{Rdst} \rightarrow \text{Rdst}$ or $\text{Rdst} - \text{src} \rightarrow \text{Rdst}$
Description	The 20-bit source operand is subtracted from the 20-bit destination register. This is made by adding the 1s complement of the source + 1 to the destination. The result is written to the destination register, the source is not affected.
Status Bits	N: Set if result is negative ($\text{src} > \text{dst}$), reset if positive ($\text{src} \leq \text{dst}$) Z: Set if result is zero ($\text{src} = \text{dst}$), reset otherwise ($\text{src} \neq \text{dst}$) C: Set if there is a carry from the MSB (Rdst.19), reset otherwise V: Set if the subtraction of a negative source operand from a positive destination operand delivers a negative result, or if the subtraction of a positive source operand from a negative destination operand delivers a positive result, reset otherwise (no overflow)
Mode Bits	OSCOFF, CPUOFF, and GIE are not affected.
Example	The 20-bit value in R5 is subtracted from R6. If a carry occurs, the program continues at label TONI.
	<pre>SUBA R5,R6 ; R6 - R5 -> R6 JC TONI ; Carry occurred ...</pre>

4.6.4.11 TSTA

*** TSTA** Test 20-bit destination register

Syntax TSTA Rdst

Operation dst + 0FFFFFFh + 1
dst + 0FFFFFFh + 1
dst + 0FFh + 1

Emulation CMPA #0, Rdst

Description The destination register is compared with zero. The status bits are set according to the result. The destination register is not affected.

Status Bits
N: Set if destination register is negative, reset if positive
Z: Set if destination register contains zero, reset otherwise
C: Set
V: Reset

Mode Bits OSCOFF, CPUOFF, and GIE are not affected.

Example The 20-bit value in R7 is tested. If it is negative, continue at R7NEG; if it is positive but not zero, continue at R7POS.

```

TSTA  R7          ; Test R7
JN    R7NEG      ; R7 is negative
JZ    R7ZERO     ; R7 is zero
R7POS .....    ; R7 is positive but not zero
R7NEG .....    ; R7 is negative
R7ZERO .....    ; R7 is zero

```

FRAM Controller (FRCTL)

This chapter describes the operation of the FRAM memory controller.

Topic	Page
5.1 FRAM Introduction.....	244
5.2 FRAM Organization.....	244
5.3 FRCTL Module Operation	244
5.4 Programming FRAM Memory Devices	245
5.5 Wait State Control	245
5.6 FRAM ECC.....	246
5.7 FRCTL Registers	247

5.1 FRAM Introduction

FRAM memory is a nonvolatile memory that reads and writes like standard SRAM. The MSP430 FRAM memory features include:

- Byte or word write access
- Automatic and programmable wait state control with independent wait state settings for access and cycle times
- Error correction code with bit error correction capabilities, extended bit error detection and flag indicators
- Cache for fast read and endurance improvement

Figure 5-1 shows the block diagram of the FRAM Controller.

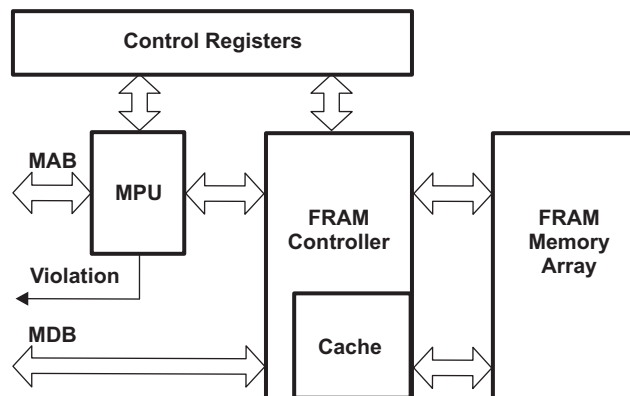


Figure 5-1. FRAM Controller Block Diagram

5.2 FRAM Organization

The FRAM memory can be arranged into segments by the Memory Protection Unit (MPU) (see the *Memory Protection Unit* chapter for details). The address space is linear with the exception of the User Information Memory and the Device Descriptor Information (TLV).

5.3 FRCTL Module Operation

The FRAM module can be read in a similar fashion to SRAM and has no special requirements. Similarly, any writes to unprotected segments can be written in the same fashion as SRAM. All writes to user protected segments are handled as described in the *Memory Protection Unit* chapter.

An FRAM read always requires a write back to the same memory location with the same information read. This write back is part of the FRAM module itself and requires no user interaction. These write backs are different from the normal write access from application code.

The FRAM module has built-in error correction code (ECC) logic that is capable of correcting bit errors and detecting cumulated bit errors. Two flags are available to indicate the presence of an error. The CBDIFG is set when a correctable bit error has been detected and corrected. If CBDIE is also set, a System NMI event (SYSNMI) occurs. The UBDIFG is set when a cumulated bit error that is not correctable has been detected. If UBDIE is also set, a System NMI event (SYSNMI) occurs. Upon correctable or uncorrectable bit errors, the program vectors to the SYSSNIV if the NMI is enabled. If desired, a System Reset event (SYSRST) can be generated by setting the UBDRSTEN bit. If an uncorrectable error is detected, a PUC is initiated and the program vectors to the SYSRSTIV.

5.4 Programming FRAM Memory Devices

There are three options for programming an MSP430 FRAM device. All options support in-system programming.

- Program by JTAG or the Spy-Bi-Wire interface
- Program by the BSL
- Program by a custom solution

5.4.1 Programming FRAM Memory by JTAG or Spy-Bi-Wire

Devices can be programmed by the JTAG port or the Spy-Bi-Wire port. The JTAG interface requires access to TDI, TDO, TMS, TCK, TEST, ground, and optionally VCC and $\overline{\text{RST/NMI}}$. Spy-Bi-Wire interface requires access to TEST, $\overline{\text{RST/NMI}}$, ground and, optionally, VCC.

5.4.2 Programming FRAM Memory by Bootstrap Loader (BSL)

Each device contains a BSL stored in ROM. The BSL enables users to read or program the FRAM memory or RAM using a UART serial interface. Access to the FRAM memory by the BSL is protected by a 256-bit user-defined password. For more details, see the *MSP430 Programming Via the Bootstrap Loader User's Guide* (SLAU319).

5.4.3 Programming FRAM Memory by Custom Solution

The ability of the CPU to write to its own FRAM memory allows for in-system and external custom programming solutions. The user can choose to provide data to the device through any means available (for example, UART or SPI). User-developed software can receive the data and program the FRAM memory. Because this type of solution is developed by the user, it can be completely customized to fit the application needs for programming or updating the FRAM memory.

5.5 Wait State Control

The system clock for the CPU or DMA may exceed the FRAM access and cycle time requirements. For these scenarios, a wait state generator mechanism is implemented. There are two modes to control the wait state generation, automatic and manual. When required, the system clock, CPU, or DMA is held until the FRAM access and cycle time constraints are met.

5.5.1 Manual Wait State Control

The complete FRAM cycle time is defined by two timings, access time and precharge time, which can be defined separately. The cycle time is assumed to be the sum of the access and precharge times. If automatic wait state control is disabled ($\text{NAUTO} = 0$) and if the clock is set higher than the maximum FRAM access frequency, $\text{NACCESS}[2:0]$ and $\text{NPRECHG}[2:0]$ must be set properly to permit correct FRAM accesses.

The NACCESS bits can be used to define an integer number of CPU cycles required to meet the maximum access time described in the data sheet. The NPRECHG bits can be used to define an integer number of CPU cycles required to meet the maximum precharge time described in the data sheet. When $\text{NACCESS}[2:0] = 0\text{h}$ and $\text{NPRECHG}[2:0] = 0\text{h}$, no wait states are added and the cycle time is equivalent to one MCLK cycle. The number of wait states can be computed by adding NACCESS and NPRECHG settings. For some devices, the values for $\text{NACCESS}[2:0]$ and $\text{NPRECHG}[2:0]$ are limited to an upper boundary.

By having independent access and precharge wait state control, the performance of the overall system can be optimized. The sum of NACCESS and NPRECHG should be set to equal or greater than the overall FRAM cycle time requirement. . [Table 5-1](#) lists the NACCESS and NPRECHG settings based on some common frequencies of MCLK.

Table 5-1. Manual Wait State Settings

f_{MCLK} , MHz	NACCESS[2:0]	NPRECHG[2:0]	Number of wait states
8	0h	0h	0
16	1h	0h	1
20	2h	1h	3
24	2h	1h	3

5.5.2 Automatic Wait State Control

The automatic mode is the default mode, and after a boot the NAUTO bit is set to 1. The wait state is controlled by an internal FRAM state machine, and the CPU is held when an access is executed. Manual settings in the NACCESS and NPRECHG have no influence when the NAUTO bit is set. The wait state is automatically adapted if an FRAM cache hit (as explained in [Section 5.5.3](#)) occurs.

5.5.3 Wait State and Cache Hit

The FRAM controller contains a cache with two cache sets. Each of these cache sets contains two lines that are pre-loaded with four words (64 bits) during one access cycle. An intelligent logic selects one of the cache lines to pre-load FRAM data and preserve recently accessed data in the other cache. If one of the four words stored in one of the cache lines is requested (a cache hit), no FRAM access occurs except for a cache request. Upon a cache request, no wait state is needed and the data is accessed with full system speed. However, if none of the words available in the cache are requested (a cache miss), the wait state controls the CPU to ensure proper FRAM access.

5.5.4 Safe Access

The Safe Access is implemented to ensure correct FRAM access in Manual Wait State Mode.

Safe Access is active when the user configures the NACCESS[2:0] and NPRECHG[2:0] bits to values that do not meet the required FRAM timing for the given clock setting. In this case, the Safe Access logic ensures the correct timing for the access. The Access Time Error flag (ACCTEIFG) is set. A System NMI (SYSNMI) occurs when ACCTEIE is set.

5.6 FRAM ECC

The FRAM supports bit error correction and uncorrectable bit error detection. The UBDIFG FRAM uncorrectable bit error flag is set if an uncorrectable bit error has been detected in the FRAM memory error detection logic. The CBDIFG FRAM correctable bit error flag is set if a correctable bit error has been detected and corrected. UBDRSTEN enables a power-up clear (PUC) reset if an uncorrectable bit error is detected. UBDIEN enables a NMI event if an uncorrectable bit error is detected. CBDIEN enables a NMI event if a correctable bit error is detected and corrected.

5.7 FRCTL Registers

The FRCTL registers are listed in [Table 5-2](#). The base address of the FRCTL module can be found in the device-specific data sheet. The address offset of each FRCTL register is given in [Table 5-2](#).

The password defined in the FRCTL0 register controls access to all FRCTL registers. When the correct password is written, the write access is enabled. The write access is disabled by writing a wrong password in byte mode to the FRCTL0 upper byte. Word accesses to FRCTL0 with a wrong password triggers a PUC. A write access to a register other than FRCTL0 while write access is not enabled causes a PUC.

NOTE: All registers have word or byte register access. For a generic register *ANYREG*, the suffix "_L" (*ANYREG_L*) refers to the lower byte of the register (bits 0 through 7). The suffix "_H" (*ANYREG_H*) refers to the upper byte of the register (bits 8 through 15).

Table 5-2. FRCTL Registers

Offset	Acronym	Register Name	Type	Access	Reset	Section
00h	FRCTL0	FRAM Controller Control 0	Read/write	Word	9608h	Section 5.7.1
00h	FRCTL0_L		Read/Write	Byte	08h	
01h	FRCTL0_H		Read/Write	Byte	96h	
04h	GCCTL0	General Control 0	Read/write	Word	0000h	Section 5.7.2
04h	GCCTL0_L		Read/Write	Byte	00h	
05h	GCCTL0_H		Read/Write	Byte	00h	
06h	GCCTL1	General Control 1	Read/write	Word	0000h	Section 5.7.3
06h	GCCTL1_L		Read/Write	Byte	00h	
07h	GCCTL1_H		Read/Write	Byte	00h	

5.7.1 FRCTL0 Register

FRAM Controller Control Register 0

Figure 5-2. FRCTL0 Register

15	14	13	12	11	10	9	8
FRCTLPW							
rw	rw	rw	rw	rw	rw	rw	rw
7	6	5	4	3	2	1	0
Reserved	NACCESS			NAUTO	NPRECHG		
r-0	rw-[0]	rw-[0]	rw-[0]	rw-[1]	rw-[0]	rw-[0]	rw-[0]

Table 5-3. FRCTL0 Register Description

Bit	Field	Type	Reset	Description
15-8	FRCTLPW	RW	96h	FRCTLPW Password. Always reads as 096h. Must be written as 0A5h or a PUC is generated on word write. After a correct password is written and MPU register access is enabled, a wrong password write in byte mode disables the access, and no PUC is generated.
7	Reserved	R	0h	Reserved. Always reads as 0.
6-4	NACCESS	RW	0h	Wait state generator access time control. Each wait state adds a N integer multiple increase of the IFCLK period where N = 0 through 7. N = 0 implies no wait states.
3	NAUTO	RW	0h	Disables the wait state generator and manual settings rather controls wait state with internal FRAM state machine 0b = Manual mode 1b = Auto mode
2-0	NPRECHG	RW	0h	Wait state generator precharge time control. Each wait state adds a N integer multiple increase of the IFCLK period where N = 0 through 7. N = 0 implies no wait states.

5.7.2 GCCTL0 Register

General Control Register 0

Figure 5-3. GCCTL0 Register

15	14	13	12	11	10	9	8
Reserved							
r-0	r-0	r-0	r-0	r-0	r-0	r-0	r-0
7	6	5	4	3	2	1	0
UBDRSTEN	UBDIEN	CBDIEN	Reserved	ACCTEIE	Reserved		
rw-[0]	rw-[0]	rw-[0]	r-0	rw-[0]	r-0	r-0	r-0

Table 5-4. GCCTL0 Register Description

Bit	Field	Type	Reset	Description
15-8	Reserved	R	0h	Reserved. Always reads as 0.
7	UBDRSTEN	RW	0h	Enable power up clear (PUC) reset if FRAM uncorrectable bit error detected. The bits UBDSTEN and UBDIEN are mutually exclusive and are not allowed to be set simultaneously. Only one error handling can be selected at one time. 0b = PUC not initiated on uncorrectable bit detection flag. 1b = PUC initiated on uncorrectable bit detection flag. Generates vector in SYSRSTIV.
6	UBDIEN	RW	0h	Enable NMI event if uncorrectable bit error detected. The bits UBDSTEN and UBDIEN are mutually exclusive and are not allowed to be set simultaneously. Only one error handling can be selected at one time. 0b = Uncorrectable bit detection interrupt disabled. 1b = Uncorrectable bit detection interrupt enabled. Generates vector in SYSSNIV.
5	CBDIEN	RW	0h	Enable NMI event if correctable bit error detected. 0b = Correctable bit detection interrupt disabled. 1b = Correctable bit detection interrupt enabled. Generates vector in SYSSNIV.
4	Reserved	R	0h	Reserved. Always reads as 0.
3	ACCTEIE	RW	0h	Enable NMI event if Access time error occurs. 0b = Access violation interrupt disabled 1b = Access violation interrupt enabled
2-0	Reserved	R	0h	Reserved. Always reads as 0.

5.7.3 GCCTL1 Register

General Control Register 1

Figure 5-4. GCCTL1 Register

15	14	13	12	11	10	9	8
Reserved							
r-0	r-0	r-0	r-0	r-0	r-0	r-0	r-0
7	6	5	4	3	2	1	0
Reserved				ACCTEIFG	UBDIFG	CBDIFG	Reserved
r-0	r-0	r-0	r-0	rw-[0]	rw-[0]	rw-[0]	r-0

Table 5-5. GCCTL1 Register Description

Bit	Field	Type	Reset	Description
15-4	Reserved	R	0h	Reserved. Always reads as 0.
3	ACCTEIFG	RW	0h	Access time error flag. This interrupt flag is set if a wrong setting for NPRECHG and NACCESS is set and fram access time is not hold. This bit is cleared by software or by reading the system NMI vector word SYSSNIV if it is the highest pending interrupt flag. This bit is write 0 only and write 1 has no effect 0b = No interrupt pending 1b = Interrupt pending. Can be cleared by user or by reading SYSSNIV.
2	UBDIFG	RW	0h	FRAM uncorrectable bit error flag. This interrupt flag is set if an uncorrectable bit error has been detected in the FRAM memory error detection logic. This bit is cleared by software or by reading the system NMI vector word SYSSNIV if it is the highest pending interrupt flag. This bit is write 0 only, and write 1 has no effect. 0b = No interrupt pending 1b = Interrupt pending. Can be cleared by user or by reading SYSSNIV
1	CBDIFG	RW	0h	FRAM correctable bit error flag. This interrupt flag is set if a correctable bit error has been detected and corrected in the FRAM memory error detection logic. This bit is cleared by software or by reading the system NMI vector word SYSSNIV if it is the highest pending interrupt flag. This bit is write 0 only and write 1 has no effect. 0b = No interrupt pending 1b = Interrupt pending. Can be cleared by user or by reading SYSSNIV.
0	Reserved	R	0h	Reserved. Always reads as 0.

Memory Protection Unit (MPU)

This chapter describes the operation of the Memory Protection Unit.

Topic	Page
6.1 Memory Protection Unit (MPU) Introduction.....	252
6.2 MPU Segments.....	253
6.3 MPU Access Management Settings	255
6.4 MPU Violations	256
6.5 MPU Registers	257

6.1 Memory Protection Unit (MPU) Introduction

The MPU protects against accidental writes to designated read-only memory segments or execution of code from a constant memory segment memory. Clearing the MPUENA bit disables the MPU, making the complete memory accessible for read, write, and execute operations. After a BOR, the complete memory is accessible without restrictions for read, write, and execute operations.

MPU features include:

- Main memory can be configured up to three segments of variable size
- Access rights for each segment can be set independently
- Information memory can have its access rights set independently
- All MPU registers are protected from access by password

NOTE: After BOR, no segmentation exists, and the main memory and information memory are accessible by read, write, and execute operations.

An overview of the MPU is shown in [Figure 6-1](#).

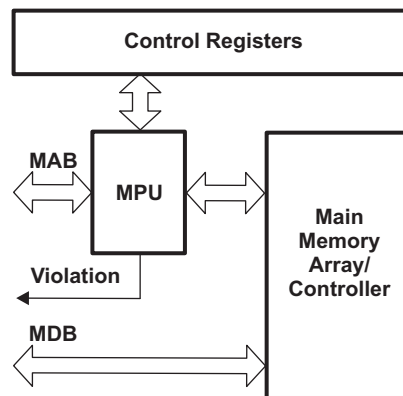


Figure 6-1. Memory Protection Unit Overview

6.2 MPU Segments

6.2.1 Main Memory Segments

The MPU offers the option to logically divide the main memory into three segments. The size of each segment is defined by appropriately setting the borders between adjacent segments. To configure three segments, a lower (B1) and higher (B2) border needs to be programmed by control register bits MPUSB1[4:0] and MPUSB2[4:0] of the MPUSEG register, respectively. Each segment consists of pages. The smallest size of a segment is a page, and therefore sets the granularity of a segment. A page size is restricted to 1/32 of the implemented memory size. For example, a device with a main memory size of 16KB would result in a page size of 512B.

The beginning of segment 1 is the lowest available address for the main memory as defined in the device-specific data sheet. The setting of the lower border (B1) defines the end of segment 1 and the beginning of segment 2. Similarly, the end of segment 2 and beginning of segment 3 is defined by the higher border (B2). Lastly, the end of segment 3 is given by the highest main memory address as defined in the device-specific data sheet. The segmentation of the main memory is shown in Figure 6-2.

The address bus (MAB) is analyzed by the MPU along with the current border settings to determine which segment of memory is selected. If the address is lower than B1 and B2, segment 1 is selected. For address values between B1 and B2, segment 2 is selected. For address values larger than B1 and B2, segment 3 is selected. Setting B1 equal to B2 results in the memory being partitioned in only two segments.

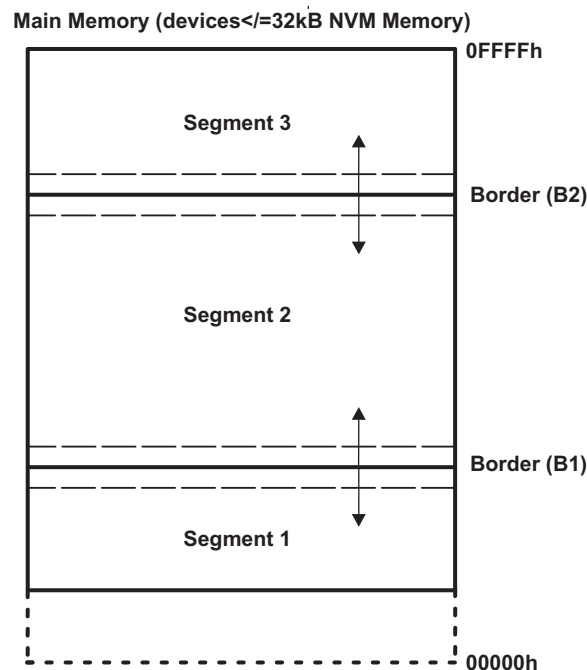


Figure 6-2. Segmentation of Main Memory

6.2.2 Segment Border Setting

Section 6.2.1 describes the procedure of setting borders for segmentation of the main memory. This section describes how the values in MPUSB1[4:0] and MPUSB2[4:0] bits need to be set to achieve the desired borders for different memory sizes. The bits of the MUSBx[4:0] bits represent the five most significant bits of the border address that can be selected. Therefore, the granularity of the border settings and the minimum segment size is 512 bytes in a 16KB device, 256 bytes in a 8KB device, and 128 bytes in a 4KB device.

The main memory always consists of 32 pages, page 0 through page 31. The page size changes based on the size of the available main memory on a device. For example, a 16KB device has a page size of 512B (16KB / 32), an 8KB device has a page size of 256B (8KB / 32) pages, and a 4KB device has a page size of 128B (4KB / 32). The border segments, B1 and B2, can be set to align on any of these 32 pages. The MUSBx[4:0] bits are used to select the appropriate page for the respective borders.

The start address for each page can be computed as follows:

$$\text{Page_Start}_n = \text{Maximum Memory Address} - \text{Memory Size} \times (32 - n) / 32 + 1, \text{ where } n = 0 \text{ to } 31$$

The end address for each page can be computed as follows:

$$\text{Page_End}_n = \text{Maximum Memory Address} + \text{Memory Size} \times (32 - n) / 32, \text{ where } n = 0 \text{ to } 31$$

Table 6-1 shows the results of these calculations for a 16KB, 8KB, and 4KB main memory devices.

Table 6-1. Page Addresses for 16KB, 8KB, and 4KB Main Memory

Page	MUSBx[4:0]	16KB Main Memory		8KB Main Memory		4KB Main Memory	
		Page_Start Address	Page_End Address	Page_Start Address	Page_End Address	Page_Start Address	Page_End Address
0	00h	C000h	C1FFh	E000h	E0FFh	F000h	F07Fh
1	01h	C200h	C3FFh	E100h	E1FFh	F080h	F0FFh
2	02h	C400h	C5FFh	E200h	E2FFh	F100h	F17Fh
3	03h	C600h	C7FFh	E300h	E3FFh	F180h	F1FFh
4	04h	C800h	C9FFh	E400h	E4FFh	F200h	F27Fh
5	05h	CA00h	CBFFh	E500h	E5FFh	F280h	F2FFh
6	06h	CC00h	CDFFh	E600h	E6FFh	F300h	F37Fh
7	07h	CE00h	CFFFh	E700h	E7FFh	F380h	F3FFh
8	08h	D000h	D1FFh	E800h	E8FFh	F400h	F47Fh
9	09h	D200h	D3FFh	E900h	E9FFh	F480h	F4FFh
10	0Ah	D400h	D5FFh	EA00h	EAFFh	F500h	F57Fh
11	0Bh	D600h	D7FFh	EB00h	EBFFh	F580h	F5FFh
12	0Ch	D800h	D9FFh	EC00h	ECFFh	F600h	F67Fh
13	0Dh	DA00h	DBFFh	ED00h	EDFFh	F680h	F6FFh
14	0Eh	DC00h	DDFFh	EE00h	EEFFh	F700h	F77Fh
15	0Fh	DE00h	DFFFh	EF00h	EFFFh	F780h	F7FFh
16	10h	E000h	E1FFh	F000h	F0FFh	F800h	F87Fh
17	11h	E200h	E3FFh	F100h	F1FFh	F880h	F8FFh
18	12h	E400h	E5FFh	F200h	F2FFh	F900h	F97Fh
19	13h	E600h	E7FFh	F300h	F3FFh	F980h	F9FFh
20	14h	E800h	E9FFh	F400h	F4FFh	FA00h	FA7Fh
21	15h	EA00h	EBFFh	F500h	F5FFh	FA80h	FAFFh
22	16h	EC00h	EDFFh	F600h	F6FFh	FB00h	FB7Fh
23	17h	EE00h	EEFFh	F700h	F7FFh	FB80h	FBFFh
24	18h	F000h	F1FFh	F800h	F8FFh	FC00h	FC7Fh
25	19h	F200h	F3FFh	F900h	F9FFh	FC80h	FCFFh
26	1Ah	F400h	F5FFh	FA00h	FAFFh	FD00h	FD7Fh
27	1Bh	F600h	F7FFh	FB00h	FBFFh	FD80h	FDFFh
28	1Ch	F800h	F9FFh	FC00h	FCFFh	FE00h	FE7Fh
29	1Dh	FA00h	FBFFh	FD00h	FDFFh	FE80h	FEFFh
30	1Eh	FC00h	FDFFh	FE00h	FEFFh	FF00h	FF7Fh
31	1Fh	FE00h	FFFFh	FF00h	FFFFh	FF80h	FFFFh

NOTE: Some devices may show a main memory size of less than a power of two. For example, 15.5KB of main memory, as opposed to 16KB. For the page address calculations above, the main memory size should be rounded up to the next power of two, in this case, 16KB. For the 16KB example, page 0 and page 1 settings behave identically.

The following example shows two borders being set on a 16KB device:

- B1 resides at the start of segment 2. If the user wishes to set segment 2 to start at location D800h, this would require $MUSB1[4:0] = 0Ch$.
- B2 resides at the start of segment 3. If the user wishes to set segment 3 to start at location EE00h, this would require setting $MUSB2[4:0] = 17h$.
- With these settings, the segment ranges are as follows:
 - Segment 1 resides at C000h through D7FFh.
 - Segment 2 resides at D800h through EDFFh.
 - Segment 3 resides at EE00h through FFFFh.

6.2.3 Information Memory

The information memory is a fixed partition of memory which is 256 bytes in size. The information memory can be used for application specific information (for example, IDs or version numbers), or it can be used for executable code. It is located at address 01800h to 018FFh and is also addressable from 01900h to 019FFh.

6.3 MPU Access Management Settings

Each segment described in [Section 6.2.2](#) and [Section 6.2.3](#) can have read, write, and execute access rights set independently.

The MPUSAM register allows setting the access rights for the four segments (information memory segment, three main memory segments). $MPUSEGxRE$ enables read access for segment x, $MPUSEGxWE$ enables write access for segment x, and $MPUSEGxXE$ enables code execution from segment x. JTAG or DMA accesses are treated as read or write data accesses and evaluate the corresponding access bits.

[Table 6-2](#) shows the different settings of $MPUSEGxXE$, $MPUSEGxWE$, and $MPUSEGxRE$. Not all settings lead to a different memory protection. For example, as shown, if the execution bit $MPUSEGxXE$ is set to 1, read access is automatically allowed independent of the setting of $MPUSEGxRE$. Also setting the $MPUSEGxWE$ bit to 1 enables the read option.

NOTE: Combinations that are not shown in [Table 6-2](#) should be avoided, because they may be used in future versions of the MPU.

Table 6-2. Segment Access Rights

MPUSEGxXE	MPUSEGxWE	MPUSEGxRE	Execute Rights	Write Rights	Read Rights
0	0	0	no	no	no
0	0	1	no	no	yes
0	1	1	no	yes	yes
1	0	1	yes	no	yes
1	1	1	yes	yes	yes

NOTE: **Prefetching of the CPU can trigger a violation.** When a segment contains code that is executed by the CPU, the CPU pipeline prefetches the next two higher words beyond the current Program Counter (PC), and this prefetch is treated as a read or fetch from the MPU perspective. This prefetching also occurs if a "jump" instruction is initiated from the actual address of the PC. A consequence of this can be that a "jump" is the last word in a segment that is open for code execution, but the next higher segment has only read access rights. This causes an access rights violation on executing the "jump". To avoid this, code for execution must stop two words below the highest word of a segment.

6.4 MPU Violations

6.4.1 Interrupt Table and Reset Vector

The interrupt vector table and the reset vector are located at addresses 0FF80h to 0FFFFh. It is possible to define a segment that includes this address space with restricted access rights. If an interrupt or a reset occurs, and this segment is read protected, the MPU automatically allows access to the interrupt vector memory space. In this scenario, only the interrupt vector table is accessible. Access to the interrupt routine itself is not automatically enabled.

NOTE: Only the interrupt table and the reset vector are opened on an interrupt or reset occurrence. If the application protects the segment from execution rights that contains the interrupt routine itself, a violation occurs.

6.4.2 Violation Handling

The handling of access rights violations can be selected for each segment with the MPUSEGxVS bit in the MPUSAM register. The MPU does not support interrupts. By default (MPUSEGxVS = 0), any access right violation causes the respective violation flag to be set. Setting MPUSEGxVS = 1 causes a PUC to occur upon violation. During device reset, the application can then use the value stored in the SYSRSTIV register to determine where the memory access violation had occurred or by reading the violation flags directly.

An access rights violation due to code execution in a non-executable region (MPUSEGxXE = 0) forces the MDB to be driven with a JMP \$ instruction (03FFFh). For example, branching into a non-executable region. In this case, when MPUSEGxVS = 1, a PUC will occur. If MPUSEGxVS = 0, the forced JMP \$ instruction effectively halts device execution.

An access rights violation due to code execution reading a memory location from a non-readable region (MPUSEGxXE = 0, MPUSEGxRE = 0) results in the value 03FFFh being read for that access. Similarly, a violation due to code execution writing to a memory location of a non-writeable region (MPUSEGxXE = 0, MPUSEGxWE = 0) results in the write being ignored. When MPUSEGxVS = 1, a PUC will occur. If MPUSEGxVS = 0, code execution continues.

6.5 MPU Registers

The MPU registers are listed in [Table 6-3](#). The base address of the MPU module can be found in the device-specific data sheet. The address offset of each MPU register is given in [Table 6-3](#).

The password defined in the MPUCTL0 register controls access to all MPU registers. When the correct password is written, write access is enabled. Write access is disabled by writing a wrong password in byte mode to the MPUCTL0 upper byte. Word accesses to MPUCTL0 with a wrong password triggers a PUC. A write access to a register other than MPUCTL0 while write access is not enabled causes a PUC. Password write is always enabled to allow consecutive access to MPUCTL1.

NOTE: All registers have word or byte register access. For a generic register *ANYREG*, the suffix "_L" (*ANYREG_L*) refers to the lower byte of the register (bits 0 through 7). The suffix "_H" (*ANYREG_H*) refers to the upper byte of the register (bits 8 through 15).

Table 6-3. MPU Registers

Offset	Acronym	Register Name	Type	Access	Reset	Section
00h	MPUCTL0	Memory Protection Unit Control 0	Read/write	Word	9600h	Section 6.5.1
00h	MPUCTL0_L		Read/Write	Byte	00h	
01h	MPUCTL0_H		Read/Write	Byte	96h	
02h	MPUCTL1	Memory Protection Unit Control 1	Read/write	Word	0000h	Section 6.5.2
02h	MPUCTL1_L		Read/Write	Byte	00h	
03h	MPUCTL1_H		Read/Write	Byte	00h	
04h	MPUSEG	Memory Protection Unit Segmentation Register	Read/write	Word	0000h	Section 6.5.3
04h	MPUSEG_L		Read/Write	Byte	00h	
05h	MPUSEG_H		Read/Write	Byte	00h	
06h	MPUSAM	Memory Protection Unit Segmentation Access Management Register	Read/write	Word	7777h	Section 6.5.4
06h	MPUSAM_L		Read/Write	Byte	77h	
07h	MPUSAM_H		Read/Write	Byte	77h	

6.5.1 MPUCTL0 Register

Memory Protection Unit Control 0 Register

Figure 6-3. MPUCTL0 Register

15	14	13	12	11	10	9	8
MPUPW							
rw	rw	rw	rw	rw	rw	rw	rw
7	6	5	4	3	2	1	0
Reserved		Reserved		Reserved		Reserved	MPUENA
r-0	r-0	r-0	rw-[0]	r-0	r-0	rw-[0]	rw-[0]

Table 6-4. MPUCTL0 Register Description

Bit	Field	Type	Reset	Description
15-8	MPUPW	RW	96h	MPU password. Always read as 096h. Must be written with 0A5h or a PUC is generated on word write. After a correct password is written, all MPU registers are accessible. An incorrect password written in byte mode disables MPU register access and no PUC is generated.
7-5	Reserved	R	0h	Reserved. Always reads as 0.
4	Reserved	RW	0h	Reserved. Must always be written as 0.
3-2	Reserved	R	0h	Reserved. Always reads as 0.
1	Reserved	RW	0h	Reserved. Must always be written as 0.
0	MPUENA			MPU enable. This bit enables the MPU operation. This bit can be set any time with word write and the correct password. 0b = Disabled 1b = Enabled

6.5.2 MPUCTL1 Register

Memory Protection Unit Control 1 Register

Figure 6-4. MPUCTL1 Register

15	14	13	12	11	10	9	8
Reserved							
r-0	r-0	r-0	r-0	r-0	r-0	r-0	r-0
7	6	5	4	3	2	1	0
Reserved				MPUSEGIIIFG	MPUSEG3IFG	MPUSEG2IFG	MPUSEG1IFG
r-0	r-0	r-0	r-0	rw-[0]	rw-[0]	rw-[0]	rw-[0]

Table 6-5. MPUCTL1 Register Description

Bit	Field	Type	Reset	Description
15-4	Reserved	R	0h	Reserved. Always reads as 0.
3	MPUSEGIIIFG	RW	0h	User information memory violation flag. This bit is set if an access violation in user information memory is detected. This bit is cleared by software or by reading the reset vector word SYSRSTIV if it is the highest pending flag. This bit is write 0 only. Write 1 has no effect. 0b = No violation 1b = Violation
2	MPUSEG3IFG	RW	0h	Main memory segment 3 violation flag. This bit is set if an access violation in main memory segment 3 is detected. This bit is cleared by software or by reading the reset vector word SYSRSTIV if it is the highest pending flag. This bit is write 0 only. Write 1 has no effect. 0b = No violation 1b = Violation
1	MPUSEG2IFG	RW	0h	Main memory segment 2 violation flag. This bit is set if an access violation in main memory segment 2 is detected. This bit is cleared by software or by reading the reset vector word SYSRSTIV if it is the highest pending flag. This bit is write 0 only. Write 1 has no effect. 0b = No violation 1b = Violation
0	MPUSEG1IFG	RW	0h	Main memory segment 1 violation flag. This bit is set if an access violation in main memory segment 1 is detected. This bit is cleared by software or by reading the reset vector word SYSRSTIV if it is the highest pending flag. This bit is write 0 only. Write 1 has no effect. 0b = No violation 1b = Violation

6.5.3 MPUSEG Register

Memory Protection Unit Segmentation Register

Figure 6-5. MPUSEG Register

15	14	13	12	11	10	9	8
Reserved			MPUSB2				
r-0	r-0	r-0	rw-[0]	rw-[0]	rw-[0]	rw-[0]	rw-[0]
7	6	5	4	3	2	1	0
Reserved			MPUSB1				
r-0	r-0	r-0	rw-[0]	rw-[0]	rw-[0]	rw-[0]	rw-[0]

Table 6-6. MPUSEG Register Description

Bit	Field	Type	Reset	Description
15-13	Reserved	R	0h	Reserved. Always reads as 0.
12-8	MPUSB2	RW	0h	MPU segment border 2. After BOR, these bits are automatically set to 0 and only segment 3 is active.
7-5	Reserved	R	0h	Reserved. Always reads as 0.
4-0	MPUSB1	RW	0h	MPU segment border 1. After BOR, these bits are automatically set to 0 and only segment 3 is active.

6.5.4 MPUSAM Register

Memory Protection Unit Segmentation Access Management Register

Figure 6-6. MPUSAM Register

15	14	13	12	11	10	9	8
MPUSEG1VS	MPUSEG1XE	MPUSEG1WE	MPUSEG1RE	MPUSEG3VS	MPUSEG3XE	MPUSEG3WE	MPUSEG3RE
rw-[0]	rw-[1]	rw-[1]	rw-[1]	rw-[0]	rw-[1]	rw-[1]	rw-[1]
7	6	5	4	3	2	1	0
MPUSEG2VS	MPUSEG2XE	MPUSEG2WE	MPUSEG2RE	MPUSEG1VS	MPUSEG1XE	MPUSEG1WE	MPUSEG1RE
rw-[0]	rw-[1]	rw-[1]	rw-[1]	rw-[0]	rw-[1]	rw-[1]	rw-[1]

Table 6-7. MPUSAM Register Description

Bit	Field	Type	Reset	Description
15	MPUSEG1VS	RW	0h	MPU user information memory segment violation select. If set, a PUC must be executed on illegal access to user information memory. 0b = Violation in user information memory asserts the MPUSEG1IFG bit. 1b = Violation in user information memory asserts the MPUSEG1IFG bit and a PUC is executed.
14	MPUSEG1XE	RW	1h	MPU user information memory segment execute enable. if set, this bit enables execution in user information memory. 0b = Execution in user information memory causes a violation 1b = Execution in user information memory is allowed
13	MPUSEG1WE	RW	1h	MPU user information memory segment write enable. If set, this bit enables write access of user information memory. 0b = Writes to user information memory cause a violation 1b = Writes to user information memory are allowed
12	MPUSEG1RE	RW	1h	MPU user information memory segment read enable. If set, this bit enables read access of user information memory. 0b = Reads of user information memory causes a violation if MPUSEG1WE = MPUSEG1XE = 0 1b = Reads of user information memory is allowed
11	MPUSEG3VS	RW	0h	MPU main memory segment 3 violation select. If set, a PUC must be executed on illegal access to main memory segment 3. 0b = Violation in main memory segment 3 asserts the MPUSEG3IFG bit. 1b = Violation in main memory segment 3 asserts the MPUSEG3IFG bit and a PUC is executed.
10	MPUSEG3XE	RW	1h	MPU main memory segment 3 execute enable. If set this bit enables execution in main memory segment 3. 0b = Execution in main memory segment 3 causes a violation 1b = Execution in main memory segment 3 is allowed
9	MPUSEG3WE	RW	1h	MPU main memory segment 3 write enable. If set this bit enables write access of main memory segment 3. 0b = Writes to main memory segment 3 cause a violation 1b = Writes to main memory segment 3 are allowed
8	MPUSEG3RE	RW	1h	MPU main memory segment 3 read enable. If set this bit enables read access of main memory segment 3. 0b = Reads of main memory segment 3 cause a violation if MPUSEG3WE = MPUSEG3XE = 0 1b = Reads of main memory segment 3 are allowed
7	MPUSEG2VS	RW	0h	MPU main memory segment 2 violation Select. If set, a PUC must be executed on illegal access to main memory segment 2. 0b = Violation in main memory segment 2 asserts the MPUSEG2IFG bit. 1b = Violation in main memory segment 2 asserts the MPUSEG2IFG bit and a PUC is executed.

Table 6-7. MPUSAM Register Description (continued)

Bit	Field	Type	Reset	Description
6	MPUSEG2XE	RW	1h	MPU main memory segment 2 execute enable. If set this bit enables execution in main memory segment 2. 0b = Execution in main memory segment 2 causes a violation 1b = Execution in main memory segment 2 is allowed
5	MPUSEG2WE	RW	1h	MPU main memory segment 2 write enable. If set this bit enables write access of main memory segment 2. 0b = Writes to main memory segment 2 cause a violation 1b = Writes to main memory segment 2 are allowed
4	MPUSEG2RE	RW	1h	MPU main memory segment 2 read enable. If set this bit enables read access of main memory segment 2. 0b = Reads of main memory segment 2 cause a violation if MPUSEG2WE = MPUSEG2XE = 0 1b = Reads of main memory segment 3 are allowed
3	MPUSEG1VS	RW	0h	MPU main memory segment 1 violation select. If set, a PUC must be executed on illegal access to main memory segment 1. 0b = Violation in main memory segment 1 asserts the MPUSEG1IFG bit. 1b = Violation in main memory segment 1 asserts the MPUSEG1IFG bit and a PUC is executed.
2	MPUSEG1XE	RW	1h	MPU main memory segment 1 execute enable. If set this bit enables execution in main memory segment 1. 0b = Execution in main memory segment 1 causes a violation 1b = Execution in main memory segment 1 is allowed
1	MPUSEG1WE	RW	1h	MPU main memory segment 1 write enable. If set this bit enables write access of main memory segment 1. 0b = Writes to main memory segment 1 cause a violation 1b = Writes to main memory segment 1 are allowed
0	MPUSEG1RE	RW	1h	MPU main memory segment 1 read enable. If set this bit enables read access of main memory segment 1. 0b = Reads of main memory segment 1 cause a violation if MPUSEG1WE = MPUSEG1XE = 0 1b = Reads of main memory segment 1 are allowed

DMA Controller

The direct memory access (DMA) controller module transfers data from one address to another, without CPU intervention. This chapter describes the operation of the DMA controller.

Topic	Page
7.1 Direct Memory Access (DMA) Introduction	264
7.2 DMA Operation	266
7.3 DMA Registers	278

7.1 Direct Memory Access (DMA) Introduction

The DMA controller transfers data from one address to another, without CPU intervention, across the entire address range. For example, the DMA controller can move data from the ADC conversion memory to RAM.

Devices that contain a DMA controller can have up to eight DMA channels available. Therefore, depending on the number of DMA channels available, some features described in this chapter are not applicable to all devices. See the device-specific data sheet for the number of channels that are supported.

Using the DMA controller can increase the throughput of peripheral modules. It can also reduce system power consumption by allowing the CPU to remain in a low-power mode, without having to awaken to move data to or from a peripheral.

DMA controller features include:

- Up to eight independent transfer channels
- Configurable DMA channel priorities
- Requires only two MCLK clock cycles per transfer
- Byte, word, or mixed byte and word transfer capability
- Block sizes up to 65535 bytes or words
- Configurable transfer trigger selections
- Selectable-edge or level-triggered transfer
- Four addressing modes
- Single, block, or burst-block transfer modes

The DMA controller block diagram is shown in [Figure 7-1](#).

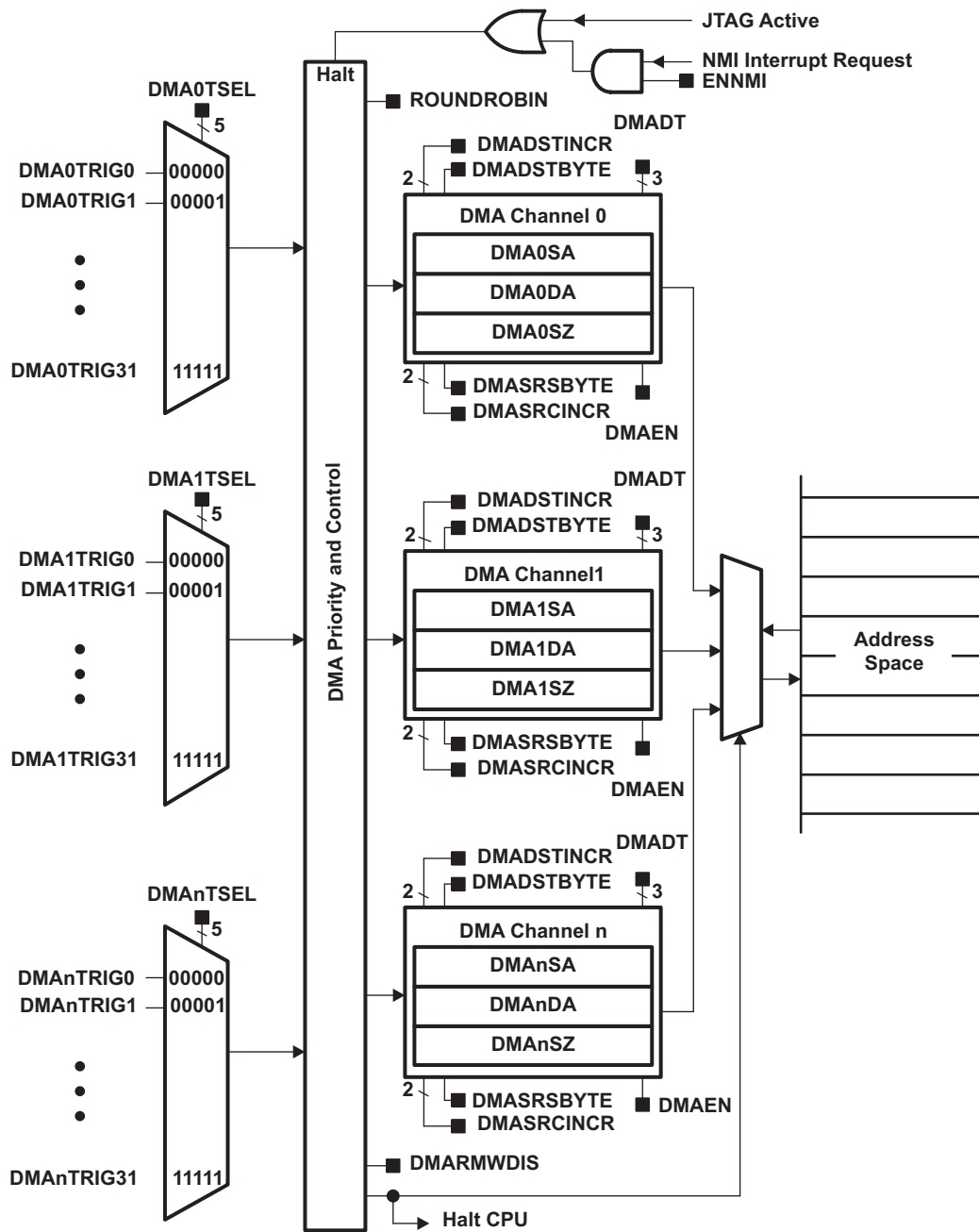


Figure 7-1. DMA Controller Block Diagram

7.2 DMA Operation

The DMA controller is configured with user software. The setup and operation of the DMA is discussed in the following sections.

7.2.1 DMA Addressing Modes

The DMA controller has four addressing modes. The addressing mode for each DMA channel is independently configurable. For example, channel 0 may transfer between two fixed addresses, while channel 1 transfers between two blocks of addresses. The addressing modes are shown in [Figure 7-2](#). The addressing modes are:

- Fixed address to fixed address
- Fixed address to block of addresses
- Block of addresses to fixed address
- Block of addresses to block of addresses

The addressing modes are configured with the DMASRCINCR and DMADSTINCR control bits. The DMASRCINCR bits select if the source address is incremented, decremented, or unchanged after each transfer. The DMADSTINCR bits select if the destination address is incremented, decremented, or unchanged after each transfer.

Transfers may be byte to byte, word to word, byte to word, or word to byte. When transferring word to byte, only the lower byte of the source word transfers. When transferring byte to word, the upper byte of the destination word is cleared when the transfer occurs.

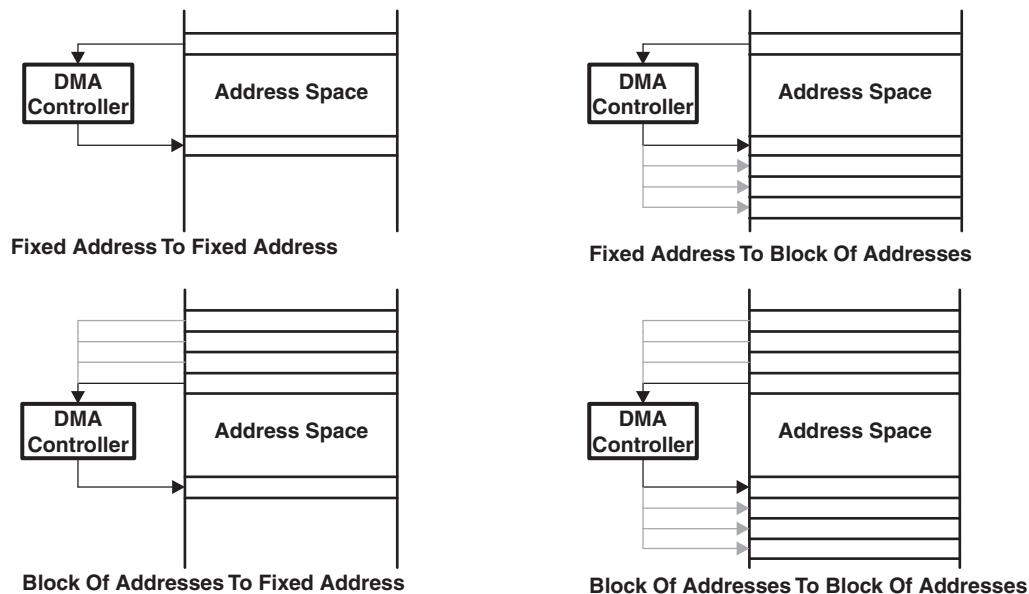


Figure 7-2. DMA Addressing Modes

7.2.2 DMA Transfer Modes

The DMA controller has six transfer modes selected by the DMADT bits as listed in [Table 7-1](#). Each channel is individually configurable for its transfer mode. For example, channel 0 may be configured in single transfer mode, while channel 1 is configured for burst-block transfer mode, and channel 2 operates in repeated block mode. The transfer mode is configured independently from the addressing mode. Any addressing mode can be used with any transfer mode.

Two types of data can be transferred selectable by the DMAxCTL DSTBYTE and SRCBYTE fields. The source and destination locations can be either byte or word data. It is also possible to transfer byte to byte, word to word, or any combination.

Table 7-1. DMA Transfer Modes

DMADT	Transfer Mode	Description
000	Single transfer	Each transfer requires a trigger. DMAEN is automatically cleared when DMAxSZ transfers have been made.
001	Block transfer	A complete block is transferred with one trigger. DMAEN is automatically cleared at the end of the block transfer.
010, 011	Burst-block transfer	CPU activity is interleaved with a block transfer. DMAEN is automatically cleared at the end of the burst-block transfer.
100	Repeated single transfer	Each transfer requires a trigger. DMAEN remains enabled.
101	Repeated block transfer	A complete block is transferred with one trigger. DMAEN remains enabled.
110, 111	Repeated burst-block transfer	CPU activity is interleaved with a block transfer. DMAEN remains enabled.

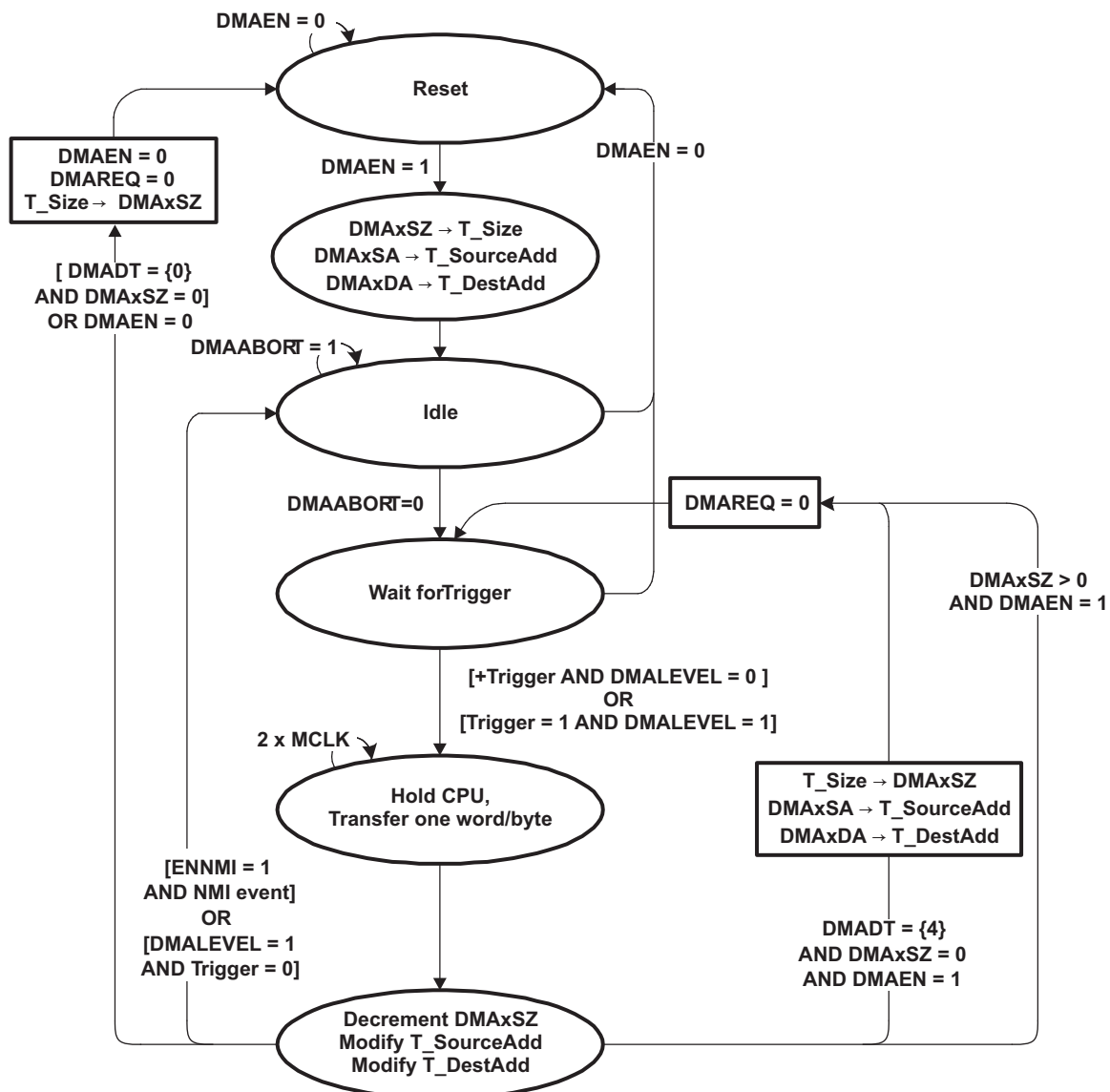
7.2.2.1 Single Transfer

In single transfer mode, each byte or word transfer requires a separate trigger. The single transfer state diagram is shown in Figure 7-3.

The DMAxSZ register defines the number of transfers to be made. The DMADSTINCR and DMASRCINCR bits select if the destination address and the source address are incremented or decremented after each transfer. If DMAxSZ = 0, no transfers occur.

The DMAxSA, DMAxDA, and DMAxSZ registers are copied into temporary registers. The temporary values of DMAxSA and DMAxDA are incremented or decremented after each transfer. The DMAxSZ register is decremented after each transfer. When the DMAxSZ register decrements to zero, it is reloaded from its temporary register and the corresponding DMAIFG flag is set. When DMADT = 0, the DMAEN bit is cleared automatically when DMAxSZ decrements to zero and must be set again for another transfer to occur.

In repeated single transfer mode, the DMA controller remains enabled with DMAEN = 1, and a transfer occurs every time a trigger occurs.



7.2.2.2 Block Transfer

In block transfer mode, a transfer of a complete block of data occurs after one trigger. When $DMADT = 1$, the $DMAEN$ bit is cleared after the completion of the block transfer and must be set again before another block transfer can be triggered. After a block transfer has started, another trigger signal that occurs during the block transfer is ignored. The block transfer state diagram is shown in [Figure 7-4](#).

The $DMAxSZ$ register defines the size of the block, and the $DMADSTINCR$ and $DMA SRCINCR$ bits select if the destination address and the source address are incremented or decremented after each transfer of the block. If $DMAxSZ = 0$, no transfers occur.

The $DMAxSA$, $DMAxDA$, and $DMAxSZ$ registers are copied into temporary registers. The temporary values of $DMAxSA$ and $DMAxDA$ are incremented or decremented after each transfer in the block. The $DMAxSZ$ register is decremented after each transfer of the block and shows the number of transfers remaining in the block. When the $DMAxSZ$ register decrements to zero, it is reloaded from its temporary register and the corresponding $DMAIFG$ flag is set.

During a block transfer, the CPU is halted until the complete block has been transferred. The block transfer takes $(2 \times MCLK \times DMAxSZ)$ clock cycles to complete. CPU execution resumes with its previous state after the block transfer is complete.

In repeated block transfer mode, the $DMAEN$ bit remains set after completion of the block transfer. The next trigger after the completion of a repeated block transfer starts another block transfer.

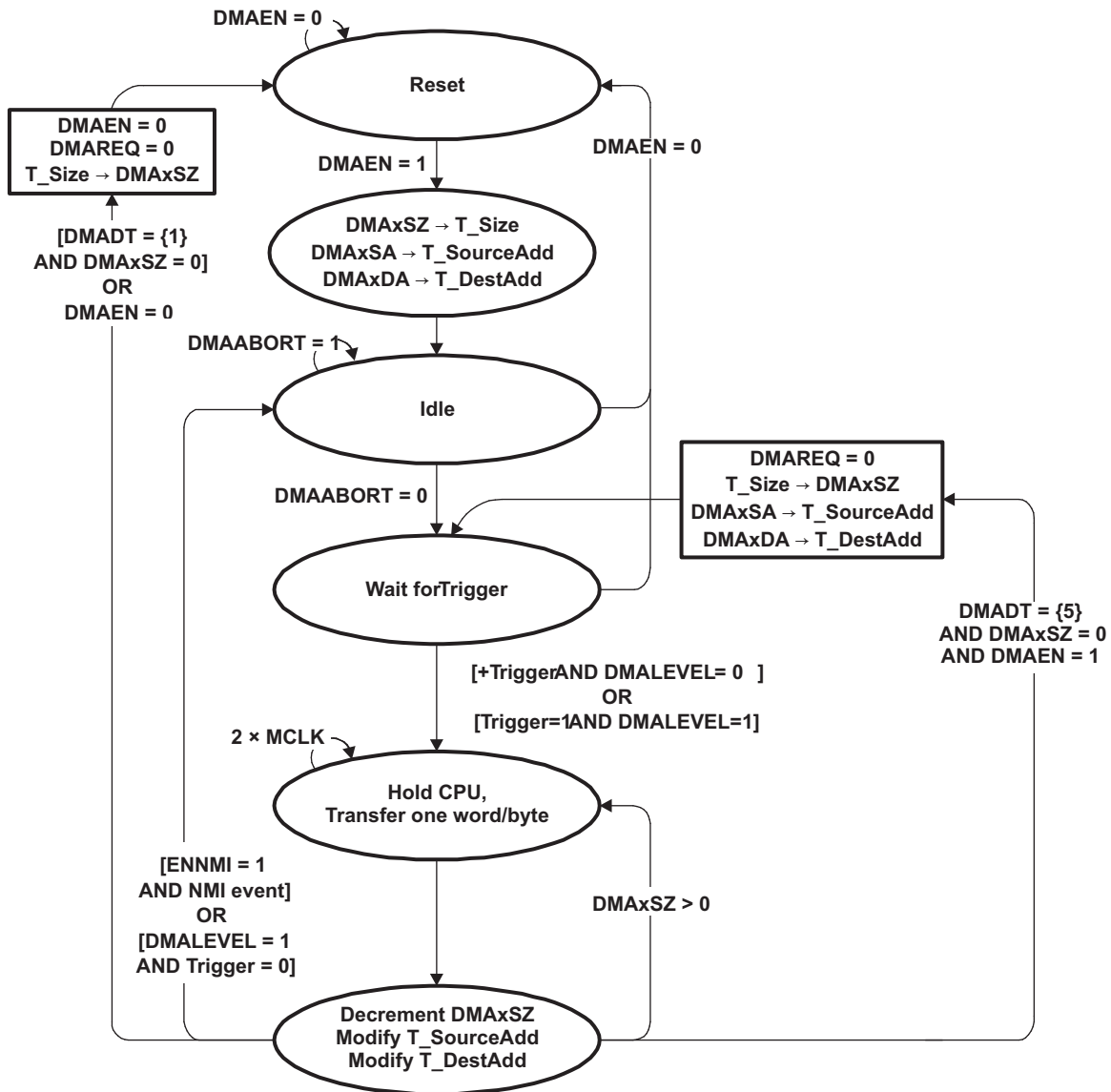


Figure 7-4. DMA Block Transfer State Diagram

7.2.2.3 Burst-Block Transfer

In burst-block mode, transfers are block transfers with CPU activity interleaved. The CPU executes two MCLK cycles after every four byte or word transfers of the block, resulting in 20% CPU execution capacity. After the burst-block, CPU execution resumes at 100% capacity and the DMAEN bit is cleared. DMAEN must be set again before another burst-block transfer can be triggered. After a burst-block transfer has been triggered, further trigger signals occurring during the burst-block transfer are ignored. The burst-block transfer state diagram is shown in [Figure 7-5](#).

The DMAxSZ register defines the size of the block, and the DMADSTINCR and DMASRCINCR bits select if the destination address and the source address are incremented or decremented after each transfer of the block. If DMAxSZ = 0, no transfers occur.

The DMAxSA, DMAxDA, and DMAxSZ registers are copied into temporary registers. The temporary values of DMAxSA and DMAxDA are incremented or decremented after each transfer in the block. The DMAxSZ register is decremented after each transfer of the block and shows the number of transfers remaining in the block. When the DMAxSZ register decrements to zero, it is reloaded from its temporary register and the corresponding DMAIFG flag is set.

In repeated burst-block mode, the DMAEN bit remains set after completion of the burst-block transfer and no further trigger signals are required to initiate another burst-block transfer. Another burst-block transfer begins immediately after completion of a burst-block transfer. In this case, the transfers must be stopped by clearing the DMAEN bit, or by an (non)maskable interrupt (NMI) when ENNMI is set. In repeated burst-block mode the CPU executes at 20% capacity continuously until the repeated burst-block transfer is stopped.

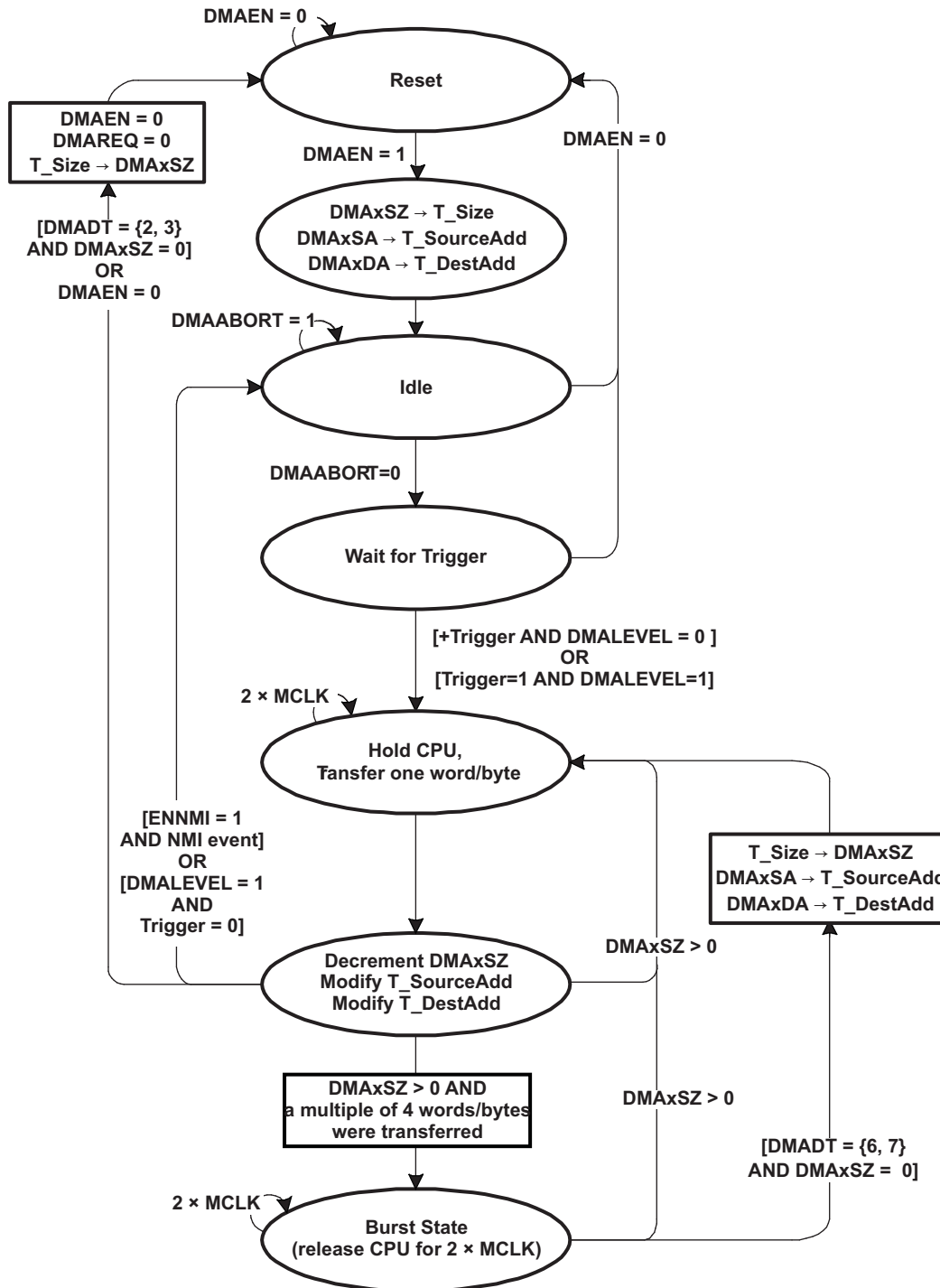


Figure 7-5. DMA Burst-Block Transfer State Diagram

7.2.3 Initiating DMA Transfers

Each DMA channel is independently configured for its trigger source with the DMAxTSEL. The DMAxTSEL bits should be modified only when the DMACTLx DMAEN bit is 0. Otherwise, unpredictable DMA triggers may occur. [Table 7-2](#) describes the trigger operation for each type of module. See the device-specific data sheet for the list of triggers available, along with their respective DMAxTSEL values.

When selecting the trigger, the trigger must not have already occurred, or the transfer does not take place.

7.2.3.1 Edge-Sensitive Triggers

When DMALEVEL = 0, edge-sensitive triggers are used, and the rising edge of the trigger signal initiates the transfer. In single-transfer mode, each transfer requires its own trigger. When using block or burst-block modes, only one trigger is required to initiate the block or burst-block transfer.

7.2.3.2 Level-Sensitive Triggers

When DMALEVEL = 1, level-sensitive triggers are used. For proper operation, level-sensitive triggers can only be used when external trigger DMAE0 is selected as the trigger. DMA transfers are triggered as long as the trigger signal is high and the DMAEN bit remains set.

The trigger signal must remain high for a block or burst-block transfer to complete. If the trigger signal goes low during a block or burst-block transfer, the DMA controller is held in its current state until the trigger goes back high or until the DMA registers are modified by software. If the DMA registers are not modified by software, when the trigger signal goes high again, the transfer resumes from where it was when the trigger signal went low.

When DMALEVEL = 1, transfer modes selected when DMADT = {0, 1, 2, 3} are recommended, because the DMAEN bit is automatically reset after the configured transfer.

7.2.4 Halting Executing Instructions for DMA Transfers

The DMARMWDIS bit controls when the CPU is halted for DMA transfers. When DMARMWDIS = 0, the CPU is halted immediately and the transfer begins when a trigger is received. In this case, it is possible that CPU read-modify-write operations can be interrupted by a DMA transfer. When DMARMWDIS = 1, the CPU finishes the currently executing read-modify-write operation before the DMA controller halts the CPU and the transfer begins (see [Table 7-2](#)).

Table 7-2. DMA Trigger Operation

Module	Operation
DMA	A transfer is triggered when the DMAREQ bit is set. The DMAREQ bit is automatically reset when the transfer starts. A transfer is triggered when the DMAxIFG flag is set. DMA0IFG triggers channel 1, DMA1IFG triggers channel 2, and DMA2IFG triggers channel 0. None of the DMAxIFG flags are automatically reset when the transfer starts. A transfer is triggered by the external trigger DMAE0.
Timer_A	A transfer is triggered when the TAxCCR0 CCIFG flag is set. The TAxCCR0 CCIFG flag is automatically reset when the transfer starts. If the TAxCCR0 CCIE bit is set, the TAxCCR0 CCIFG flag does not trigger a transfer. A transfer is triggered when the TAxCCR2 CCIFG flag is set. The TAxCCR2 CCIFG flag is automatically reset when the transfer starts. If the TAxCCR2 CCIE bit is set, the TAxCCR2 CCIFG flag does not trigger a transfer.
Timer_B	A transfer is triggered when the TBxCCR0 CCIFG flag is set. The TBxCCR0 CCIFG flag is automatically reset when the transfer starts. If the TBxCCR0 CCIE bit is set, the TBxCCR0 CCIFG flag does not trigger a transfer. A transfer is triggered when the TBxCCR2 CCIFG flag is set. The TBxCCR2 CCIFG flag is automatically reset when the transfer starts. If the TBxCCR2 CCIE bit is set, the TBxCCR2 CCIFG flag does not trigger a transfer.
eUSCI_Ax	A transfer is triggered when eUSCI_Ax receives new data. UCAXRXIFG is automatically reset when the transfer starts. If UCAXRXIE is set, the UCAXRXIFG does not trigger a transfer. A transfer is triggered when eUSCI_Ax is ready to transmit new data. UCAXTXIFG is automatically reset when the transfer starts. If UCAXTXIE is set, the UCAXTXIFG does not trigger a transfer.
eUSCI_Bx	A transfer is triggered when eUSCI_Bx receives new data. UCBxRXIFG is automatically reset when the transfer starts. If UCBxRXIE is set, the UCBxRXIFG does not trigger a transfer. A transfer is triggered when eUSCI_Bx is ready to transmit new data. UCBxTXIFG is automatically reset when the transfer starts. If UCBxTXIE is set, the UCBxTXIFG does not trigger a transfer.
ADC10_B	A transfer is triggered by an ADC10IFG0 flag. A transfer is triggered when the conversion is completed and the ADC10IFG0 is set. Setting the ADC10IFG0 with software does not trigger a transfer. The ADC10IFG0 flag is automatically reset when the ADC10MEM0 register is accessed by the DMA controller.
MPY	A transfer is triggered when the hardware multiplier is ready for a new operand.
Reserved	No transfer is triggered.

7.2.5 Stopping DMA Transfers

There are two ways to stop DMA transfers in progress:

- A single, block, or burst-block transfer may be stopped with an NMI, if the ENNMI bit is set in register DMACTL1.
- A burst-block transfer may be stopped by clearing the DMAEN bit.

7.2.6 DMA Channel Priorities

The default DMA channel priorities are DMA0 through DMA7. If two or three triggers happen simultaneously or are pending, the channel with the highest priority completes its transfer (single, block, or burst-block transfer) first, then the second priority channel, then the third priority channel. Transfers in progress are not halted if a higher-priority channel is triggered. The higher-priority channel waits until the transfer in progress completes before starting.

The DMA channel priorities are configurable with the ROUNDROBIN bit. When the ROUNDROBIN bit is set, the channel that completes a transfer becomes the lowest priority. The order of the priority of the channels always stays the same, DMA0-DMA1-DMA2, for example, for three channels. When the ROUNDROBIN bit is cleared, the channel priority returns to the default priority.

DMA Priority	Transfer Occurs	New DMA Priority
DMA0-DMA1-DMA2	DMA1	DMA2-DMA0-DMA1
DMA2-DMA0-DMA1	DMA2	DMA0-DMA1-DMA2
DMA0-DMA1-DMA2	DMA0	DMA1-DMA2-DMA0

7.2.7 DMA Transfer Cycle Time

The DMA controller requires one or two MCLK clock cycles to synchronize before each single transfer or complete block or burst-block transfer. Each byte or word transfer requires two MCLK cycles after synchronization, and one cycle of wait time after the transfer. Because the DMA controller uses MCLK, the DMA cycle time is dependent on the MSP430 operating mode and clock system setup.

If the MCLK source is active but the CPU is off, the DMA controller uses the MCLK source for each transfer, without reenabling the CPU. If the MCLK source is off, the DMA controller temporarily restarts MCLK, sourced with DCOCLK, for the single transfer or complete block or burst-block transfer. The CPU remains off and, after the transfer completes, MCLK is turned off. The maximum DMA cycle time for all operating modes is shown in [Table 7-3](#).

Table 7-3. Maximum Single-Transfer DMA Cycle Time

CPU Operating Mode Clock Source	Maximum DMA Cycle Time
Active mode MCLK = DCOCLK	4 MCLK cycles
Active mode MCLK = LFXT1CLK	4 MCLK cycles
Low-power mode LPM0 or LPM1 MCLK = DCOCLK	5 MCLK cycles
Low-power mode LPM3 or LPM4 MCLK = DCOCLK	5 MCLK cycles + 5 μ s ⁽¹⁾
Low-power mode LPM0 or LPM1 MCLK = LFXT1CLK	5 MCLK cycles
Low-power mode LPM3 MCLK = LFXT1CLK	5 MCLK cycles
Low-power mode LPM4 MCLK = LFXT1CLK	5 MCLK cycles + 5 μ s ⁽¹⁾

⁽¹⁾ The additional 5 μ s are needed to start the DCOCLK. It is the $t_{(LPMx)}$ parameter in the data sheet.

7.2.8 Using DMA With System Interrupts

DMA transfers are not interruptible by system interrupts. System interrupts remain pending until the completion of the transfer. NMIs can interrupt the DMA controller if the ENNMI bit is set.

System interrupt service routines are interrupted by DMA transfers. If an interrupt service routine or other routine must execute with no interruptions, the DMA controller should be disabled before executing the routine.

7.2.9 DMA Controller Interrupts

Each DMA channel has its own DMAIFG flag. Each DMAIFG flag is set in any mode when the corresponding DMAxSZ register counts to zero. If the corresponding DMAIE and GIE bits are set, an interrupt request is generated.

All DMAIFG flags are prioritized, with DMA0IFG being the highest, and combined to source a single interrupt vector. The highest-priority enabled interrupt generates a number in the DMAIV register. This number can be evaluated or added to the program counter (PC) to automatically enter the appropriate software routine. Disabled DMA interrupts do not affect the DMAIV value.

Any access, read or write, of the DMAIV register automatically resets the highest pending interrupt flag. If another interrupt flag is set, another interrupt is immediately generated after servicing the initial interrupt. For example, assume that DMA0 has the highest priority. If the DMA0IFG and DMA2IFG flags are set when the interrupt service routine accesses the DMAIV register, DMA0IFG is reset automatically. After the RETI instruction of the interrupt service routine is executed, the DMA2IFG generates another interrupt.

7.2.9.1 DMAIV Software Example

The following software example shows the recommended use of DMAIV and the handling overhead for an eight channel DMA controller. The DMAIV value is added to the PC to automatically jump to the appropriate routine.

The numbers at the right margin show the necessary CPU cycles for each instruction. The software overhead for different interrupt sources includes interrupt latency and return-from-interrupt cycles, but not the task handling itself.

```

;Interrupt handler for DMAxIFG                                     Cycles

DMA_HND    ...          ; Interrupt latency                       6
            ADD        &DMAIV,PC    ; Add offset to Jump table    3
            RETI       ; Vector 0: No interrupt                5
            JMP        DMA0_HND     ; Vector 2: DMA channel 0    2
            JMP        DMA1_HND     ; Vector 4: DMA channel 1    2
            JMP        DMA2_HND     ; Vector 6: DMA channel 2    2
            JMP        DMA3_HND     ; Vector 8: DMA channel 3    2
            JMP        DMA4_HND     ; Vector 10: DMA channel 4   2
            JMP        DMA5_HND     ; Vector 12: DMA channel 5   2
            JMP        DMA6_HND     ; Vector 14: DMA channel 6   2
            JMP        DMA7_HND     ; Vector 16: DMA channel 7   2

DMA7_HND   ; Vector 16: DMA channel 7
            ...          ; Task starts here
            RETI       ; Back to main program                    5

DMA6_HND   ; Vector 14: DMA channel 6
            ...          ; Task starts here
            RETI       ; Back to main program                    5

DMA5_HND   ; Vector 12: DMA channel 5
            ...          ; Task starts here
            RETI       ; Back to main program                    5

DMA4_HND   ; Vector 10: DMA channel 4
            ...          ; Task starts here
            RETI       ; Back to main program                    5

DMA3_HND   ; Vector 8: DMA channel 3
            ...          ; Task starts here
            RETI       ; Back to main program                    5

DMA2_HND   ; Vector 6: DMA channel 2
            ...          ; Task starts here
            RETI       ; Back to main program                    5

DMA1_HND   ; Vector 4: DMA channel 1
            ...          ; Task starts here
            RETI       ; Back to main program                    5

DMA0_HND   ; Vector 2: DMA channel 0
            ...          ; Task starts here
            RETI       ; Back to main program                    5
    
```

7.2.10 Using the eUSCI_B I²C Module With the DMA Controller

The eUSCI_B I²C module provides two trigger sources for the DMA controller. The eUSCI_B I²C module can trigger a transfer when new I²C data is received and the when the transmit data is needed.

7.2.11 Using ADC10 With the DMA Controller

MSP430 devices with an integrated DMA controller can automatically move data from the ADC10MEM0 register to another location. DMA transfers are done without CPU intervention and independently of any low-power modes. The DMA controller increases throughput of the ADC10 module, and enhances low-power applications allowing the CPU to remain off while data transfers occur. A transfer is triggered when the conversion is completed and the ADC10IFG0 is set. Setting the ADC10IFG0 with software does not trigger a transfer. The ADC10IFG0 flag is automatically reset when the ADC10MEM0 register is accessed by the DMA controller.

7.3 DMA Registers

The DMA module registers are listed in [Table 7-4](#). The base addresses can be found in the device-specific data sheet. Each channel starts at its respective base address. The address offsets are listed in [Table 7-4](#).

Table 7-4. DMA Registers

Offset	Acronym	Register Name	Type	Access	Reset	Section
00h	DMACTL0	DMA Control 0	Read/write	Word	0000h	Section 7.3.1
02h	DMACTL1	DMA Control 1	Read/write	Word	0000h	Section 7.3.2
04h	DMACTL2	DMA Control 2	Read/write	Word	0000h	Section 7.3.3
06h	DMACTL3	DMA Control 3	Read/write	Word	0000h	Section 7.3.4
08h	DMACTL4	DMA Control 4	Read/write	Word	0000h	Section 7.3.5
0Eh	DMAIV	DMA Interrupt Vector	Read only	Word	0000h	Section 7.3.10
00h	DMA0CTL	DMA Channel 0 Control	Read/write	Word	0000h	Section 7.3.6
02h	DMA0SA	DMA Channel 0 Source Address	Read/write	Word, double word	undefined	Section 7.3.7
06h	DMA0DA	DMA Channel 0 Destination Address	Read/write	Word, double word	undefined	Section 7.3.8
0Ah	DMA0SZ	DMA Channel 0 Transfer Size	Read/write	Word	undefined	Section 7.3.9
00h	DMA1CTL	DMA Channel 1 Control	Read/write	Word	0000h	Section 7.3.6
02h	DMA1SA	DMA Channel 1 Source Address	Read/write	Word, double word	undefined	Section 7.3.7
06h	DMA1DA	DMA Channel 1 Destination Address	Read/write	Word, double word	undefined	Section 7.3.8
0Ah	DMA1SZ	DMA Channel 1 Transfer Size	Read/write	Word	undefined	Section 7.3.9
00h	DMA2CTL	DMA Channel 2 Control	Read/write	Word	0000h	Section 7.3.6
02h	DMA2SA	DMA Channel 2 Source Address	Read/write	Word, double word	undefined	Section 7.3.7
06h	DMA2DA	DMA Channel 2 Destination Address	Read/write	Word, double word	undefined	Section 7.3.8
0Ah	DMA2SZ	DMA Channel 2 Transfer Size	Read/write	Word	undefined	Section 7.3.9
00h	DMA3CTL	DMA Channel 3 Control	Read/write	Word	0000h	Section 7.3.6
02h	DMA3SA	DMA Channel 3 Source Address	Read/write	Word, double word	undefined	Section 7.3.7
06h	DMA3DA	DMA Channel 3 Destination Address	Read/write	Word, double word	undefined	Section 7.3.8
0Ah	DMA3SZ	DMA Channel 3 Transfer Size	Read/write	Word	undefined	Section 7.3.9
00h	DMA4CTL	DMA Channel 4 Control	Read/write	Word	0000h	Section 7.3.6
02h	DMA4SA	DMA Channel 4 Source Address	Read/write	Word, double word	undefined	Section 7.3.7
06h	DMA4DA	DMA Channel 4 Destination Address	Read/write	Word, double word	undefined	Section 7.3.8
0Ah	DMA4SZ	DMA Channel 4 Transfer Size	Read/write	Word	undefined	Section 7.3.9
00h	DMA5CTL	DMA Channel 5 Control	Read/write	Word	0000h	Section 7.3.6
02h	DMA5SA	DMA Channel 5 Source Address	Read/write	Word, double word	undefined	Section 7.3.7
06h	DMA5DA	DMA Channel 5 Destination Address	Read/write	Word, double word	undefined	Section 7.3.8
0Ah	DMA5SZ	DMA Channel 5 Transfer Size	Read/write	Word	undefined	Section 7.3.9
00h	DMA6CTL	DMA Channel 6 Control	Read/write	Word	0000h	Section 7.3.6
02h	DMA6SA	DMA Channel 6 Source Address	Read/write	Word, double word	undefined	Section 7.3.7
06h	DMA6DA	DMA Channel 6 Destination Address	Read/write	Word, double word	undefined	Section 7.3.8
0Ah	DMA6SZ	DMA Channel 6 Transfer Size	Read/write	Word	undefined	Section 7.3.9

Table 7-4. DMA Registers (continued)

Offset	Acronym	Register Name	Type	Access	Reset	Section
00h	DMA7CTL	DMA Channel 7 Control	Read/write	Word	0000h	Section 7.3.6
02h	DMA7SA	DMA Channel 7 Source Address	Read/write	Word, double word	undefined	Section 7.3.7
06h	DMA7DA	DMA Channel 7 Destination Address	Read/write	Word, double word	undefined	Section 7.3.8
0Ah	DMA7SZ	DMA Channel 7 Transfer Size	Read/write	Word	undefined	Section 7.3.9

7.3.1 DMACTL0 Register

DMA Control 0 Register

Figure 7-6. DMACTL0 Register

15	14	13	12	11	10	9	8
Reserved			DMA1TSEL				
r0	r0	r0	rw-(0)	rw-(0)	rw-(0)	rw-(0)	rw-(0)
7	6	5	4	3	2	1	0
Reserved			DMA0TSEL				
r0	r0	r0	rw-(0)	rw-(0)	rw-(0)	rw-(0)	rw-(0)

Table 7-5. DMACTL0 Register Description

Bit	Field	Type	Reset	Description
15-13	Reserved	R	0h	Reserved. Always reads as 0.
12-8	DMA1TSEL	RW	0h	DMA trigger select. These bits select the DMA transfer trigger. See the device-specific data sheet for number of channels and trigger assignment. 00000b = DMA1TRIG0 00001b = DMA1TRIG1 00010b = DMA1TRIG2 ⋮ 11110b = DMA1TRIG30 11111b = DMA1TRIG31
7-5	Reserved	R	0h	Reserved. Always reads as 0.
4-0	DMA0TSEL	RW	0h	DMA trigger select. These bits select the DMA transfer trigger. See the device-specific data sheet for number of channels and trigger assignment. 00000b = DMA0TRIG0 00001b = DMA0TRIG1 00010b = DMA0TRIG2 ⋮ 11110b = DMA0TRIG30 11111b = DMA0TRIG31

7.3.2 DMACTL1 Register

DMA Control 1 Register

Figure 7-7. DMACTL1 Register

15	14	13	12	11	10	9	8
Reserved			DMA3TSEL				
r0	r0	r0	rw-(0)	rw-(0)	rw-(0)	rw-(0)	rw-(0)
7	6	5	4	3	2	1	0
Reserved			DMA2TSEL				
r0	r0	r0	rw-(0)	rw-(0)	rw-(0)	rw-(0)	rw-(0)

Table 7-6. DMACTL1 Register Description

Bit	Field	Type	Reset	Description
15-13	Reserved	R	0h	Reserved. Always reads as 0.
12-8	DMA3TSEL	RW	0h	DMA trigger select. These bits select the DMA transfer trigger. See the device-specific data sheet for number of channels and trigger assignment. 00000b = DMA3TRIG0 00001b = DMA3TRIG1 00010b = DMA3TRIG2 ⋮ 11110b = DMA3TRIG30 11111b = DMA3TRIG31
7-5	Reserved	R	0h	Reserved. Always reads as 0.
4-0	DMA2TSEL	RW	0h	DMA trigger select. These bits select the DMA transfer trigger. See the device-specific data sheet for number of channels and trigger assignment. 00000b = DMA2TRIG0 00001b = DMA2TRIG1 00010b = DMA2TRIG2 ⋮ 11110b = DMA2TRIG30 11111b = DMA2TRIG31

7.3.3 DMACTL2 Register

DMA Control 2 Register

Figure 7-8. DMACTL2 Register

15	14	13	12	11	10	9	8
Reserved			DMA5TSEL				
r0	r0	r0	rw-(0)	rw-(0)	rw-(0)	rw-(0)	rw-(0)
7	6	5	4	3	2	1	0
Reserved			DMA4TSEL				
r0	r0	r0	rw-(0)	rw-(0)	rw-(0)	rw-(0)	rw-(0)

Table 7-7. DMACTL2 Register Description

Bit	Field	Type	Reset	Description
15-13	Reserved	R	0h	Reserved. Always reads as 0.
12-8	DMA5TSEL	RW	0h	DMA trigger select. These bits select the DMA transfer trigger. See the device-specific data sheet for number of channels and trigger assignment. 00000b = DMA5TRIG0 00001b = DMA5TRIG1 00010b = DMA5TRIG2 ⋮ 11110b = DMA5TRIG30 11111b = DMA5TRIG31
7-5	Reserved	R	0h	Reserved. Always reads as 0.
4-0	DMA4TSEL	RW	0h	DMA trigger select. These bits select the DMA transfer trigger. See the device-specific data sheet for number of channels and trigger assignment. 00000b = DMA4TRIG0 00001b = DMA4TRIG1 00010b = DMA4TRIG2 ⋮ 11110b = DMA4TRIG30 11111b = DMA4TRIG31

7.3.4 DMACTL3 Register

DMA Control 3 Register

Figure 7-9. DMACTL3 Register

15	14	13	12	11	10	9	8
Reserved			DMA7TSEL				
r0	r0	r0	rw-(0)	rw-(0)	rw-(0)	rw-(0)	rw-(0)
7	6	5	4	3	2	1	0
Reserved			DMA6TSEL				
r0	r0	r0	rw-(0)	rw-(0)	rw-(0)	rw-(0)	rw-(0)

Table 7-8. DMACTL3 Register Description

Bit	Field	Type	Reset	Description
15-13	Reserved	R	0h	Reserved. Always reads as 0.
12-8	DMA7TSEL	RW	0h	DMA trigger select. These bits select the DMA transfer trigger. See the device-specific data sheet for number of channels and trigger assignment. 00000b = DMA7TRIG0 00001b = DMA7TRIG1 00010b = DMA7TRIG2 ⋮ 11110b = DMA7TRIG30 11111b = DMA7TRIG31
7-5	Reserved	R	0h	Reserved. Always reads as 0.
4-0	DMA6TSEL	RW	0h	DMA trigger select. These bits select the DMA transfer trigger. See the device-specific data sheet for number of channels and trigger assignment. 00000b = DMA6TRIG0 00001b = DMA6TRIG1 00010b = DMA6TRIG2 ⋮ 11110b = DMA6TRIG30 11111b = DMA6TRIG31

7.3.5 DMACTL4 Register

DMA Control 4 Register

Figure 7-10. DMACTL4 Register

15	14	13	12	11	10	9	8
Reserved							
r0	r0	r0	r0	r0	r0	r0	r0
7	6	5	4	3	2	1	0
Reserved					DMARMWDIS	ROUNDROBIN	ENNMI
r0	r0	r0	r0	r0	rw-(0)	rw-(0)	rw-(0)

Table 7-9. DMACTL4 Register Description

Bit	Field	Type	Reset	Description
15-3	Reserved	R	0h	Reserved. Always reads as 0.
2	DMARMWDIS	RW	0h	Read-modify-write disable. When set, this bit inhibits any DMA transfers from occurring during CPU read-modify-write operations. 0b = DMA transfers can occur during read-modify-write CPU operations. 1b = DMA transfers inhibited during read-modify-write CPU operations
1	ROUNDROBIN	RW	0h	Round robin. This bit enables the round-robin DMA channel priorities. 0b = DMA channel priority is DMA0-DMA1-DMA2 - -DMA7. 1b = DMA channel priority changes with each transfer.
0	ENNMI	RW	0h	Enable NMI. This bit enables the interruption of a DMA transfer by an NMI. When an NMI interrupts a DMA transfer, the current transfer is completed normally, further transfers are stopped and DMAABORT is set. 0b = NMI does not interrupt DMA transfer 1b = NMI interrupts a DMA transfer

7.3.6 DMAxCTL Register

DMA Channel x Control Register

Figure 7-11. DMAxCTL Register

15	14	13	12	11	10	9	8
Reserved	DMADT			DMADSTINCR		DMASRCINCR	
r0	rw-(0)	rw-(0)	rw-(0)	rw-(0)	rw-(0)	rw-(0)	rw-(0)
7	6	5	4	3	2	1	0
DMADSTBYTE	DMASRCBYTE	DMALEVEL	DMAEN	DMAIFG	DMAIE	DMAABORT	DMAREQ
rw-(0)	rw-(0)	rw-(0)	rw-(0)	rw-(0)	rw-(0)	rw-(0)	rw-(0)

Table 7-10. DMAxCTL Register Description

Bit	Field	Type	Reset	Description
15	Reserved	R	0h	Reserved. Always reads as 0.
14-12	DMADT	RW	0h	DMA transfer mode 000b = Single transfer 001b = Block transfer 010b = Burst-block transfer 011b = Burst-block transfer 100b = Repeated single transfer 101b = Repeated block transfer 110b = Repeated burst-block transfer 111b = Repeated burst-block transfer
11-10	DMADSTINCR	RW	0h	DMA destination increment. This bit selects automatic incrementing or decrementing of the destination address after each byte or word transfer. When DMADSTBYTE = 1, the destination address increments or decrements by one. When DMADSTBYTE = 0, the destination address increments or decrements by two. The DMAxDA is copied into a temporary register and the temporary register is incremented or decremented. DMAxDA is not incremented or decremented. 00b = Destination address is unchanged 01b = Destination address is unchanged 10b = Destination address is decremented 11b = Destination address is incremented
9-8	DMASRCINCR	RW	0h	DMA source increment. This bit selects automatic incrementing or decrementing of the source address for each byte or word transfer. When DMASRCBYTE = 1, the source address increments or decrements by one. When DMASRCBYTE = 0, the source address increments/decrements by two. The DMAxSA is copied into a temporary register and the temporary register is incremented or decremented. DMAxSA is not incremented or decremented. 00b = Source address is unchanged 01b = Source address is unchanged 10b = Source address is decremented 11b = Source address is incremented
7	DMADSTBYTE	RW	0h	DMA destination byte. This bit selects the destination as a byte or word. 0b = Word 1b = Byte
6	DMASRCBYTE	RW	0h	DMA source byte. This bit selects the source as a byte or word. 0b = Word 1b = Byte
5	DMALEVEL	RW	0h	DMA level. This bit selects between edge-sensitive and level-sensitive triggers. 0b = Edge sensitive (rising edge) 1b = Level sensitive (high level)
4	DMAEN	RW	0h	DMA enable 0b = Disabled 1b = Enabled

Table 7-10. DMAxCTL Register Description (continued)

Bit	Field	Type	Reset	Description
3	DMAIFG	RW	0h	DMA interrupt flag 0b = No interrupt pending 1b = Interrupt pending
2	DMAIE	RW	0h	DMA interrupt enable 0b = Disabled 1b = Enabled
1	DMAABORT	RW	0h	DMA abort. This bit indicates if a DMA transfer was interrupt by an NMI. 0b = DMA transfer not interrupted 1b = DMA transfer interrupted by NMI
0	DMAREQ	RW	0h	DMA request. Software-controlled DMA start. DMAREQ is reset automatically. 0b = No DMA start 1b = Start DMA

7.3.7 DMAxSA Register

DMA Source Address Register

Figure 7-12. DMAxSA Register

31	30	29	28	27	26	25	24
Reserved							
r0	r0	r0	r0	r0	r0	r0	r0
23	22	21	20	19	18	17	16
Reserved				DMAxSA			
r0	r0	r0	r0	rw	rw	rw	rw
15	14	13	12	11	10	9	8
DMAxSA							
rw	rw	rw	rw	rw	rw	rw	rw
7	6	5	4	3	2	1	0
DMAxSA							
rw	rw	rw	rw	rw	rw	rw	rw

Table 7-11. DMAxSA Register Description

Bit	Field	Type	Reset	Description
31-20	Reserved	R	0h	Reserved. Always reads as 0.
19-0	DMAxSA	RW	undefined	DMA source address. The source address register points to the DMA source address for single transfers or the first source address for block transfers. The source address register remains unchanged during block and burst-block transfers. There are two words for the DMAxSA register. Bits 31-20 are reserved and always read as zero. Reading or writing bits 19-16 requires the use of extended instructions. When writing to DMAxSA with word instructions, bits 19-16 are cleared.

7.3.8 DMAxDA Register

DMA Destination Address Register

Figure 7-13. DMAxDA Register

31	30	29	28	27	26	25	24
Reserved							
r0	r0	r0	r0	r0	r0	r0	r0
23	22	21	20	19	18	17	16
Reserved				DMAxDA			
r0	r0	r0	r0	rw	rw	rw	rw
15	14	13	12	11	10	9	8
DMAxDA							
rw	rw	rw	rw	rw	rw	rw	rw
7	6	5	4	3	2	1	0
DMAxDA							
rw	rw	rw	rw	rw	rw	rw	rw

Table 7-12. DMAxDA Register Description

Bit	Field	Type	Reset	Description
31-20	Reserved	R	0h	Reserved. Always reads as 0.
19-0	DMAxDA	RW	undefined	DMA destination address. The destination address register points to the DMA destination address for single transfers or the first destination address for block transfers. The destination address register remains unchanged during block and burst-block transfers. There are two words for the DMAxDA register. Bits 31–20 are reserved and always read as zero. Reading or writing bits 19–16 requires the use of extended instructions. When writing to DMAxDA with word instructions, bits 19–16 are cleared.

7.3.9 DMAxSZ Register

DMA Size Address Register

Figure 7-14. DMAxSZ Register

15	14	13	12	11	10	9	8
DMAxSZ							
rw	rw	rw	rw	rw	rw	rw	rw
7	6	5	4	3	2	1	0
DMAxSZ							
rw	rw	rw	rw	rw	rw	rw	rw

Table 7-13. DMAxSZ Register Description

Bit	Field	Type	Reset	Description
15-0	DMAxSZ	RW	undefined	DMA size. The DMA size register defines the number of byte or word data per block transfer. DMAxSZ register decrements with each word or byte transfer. When DMAxSZ decrements to 0, it is immediately and automatically reloaded with its previously initialized value. 0000h = Transfer is disabled. 0001h = One byte or word is transferred. 0002h = Two bytes or words are transferred. ⋮ FFFFh = 65535 bytes or words are transferred.

7.3.10 DMAIV Register

DMA Interrupt Vector Register

Figure 7-15. DMAIV Register

15	14	13	12	11	10	9	8
DMAIV							
r0	r0	r0	r0	r0	r0	r0	r0
7	6	5	4	3	2	1	0
DMAIV							
r0	r0	r-(0)	r-(0)	r-(0)	r-(0)	r-(0)	r0

Table 7-14. DMAIV Register Description

Bit	Field	Type	Reset	Description
15-0	DMAIV	R	0h	DMA interrupt vector value 00h = No interrupt pending 02h = Interrupt Source: DMA channel 0; Interrupt Flag: DMA0IFG; Interrupt Priority: Highest 04h = Interrupt Source: DMA channel 1; Interrupt Flag: DMA1IFG 06h = Interrupt Source: DMA channel 2; Interrupt Flag: DMA2IFG 08h = Interrupt Source: DMA channel 3; Interrupt Flag: DMA3IFG 0Ah = Interrupt Source: DMA channel 4; Interrupt Flag: DMA4IFG 0Ch = Interrupt Source: DMA channel 5; Interrupt Flag: DMA5IFG 0Eh = Interrupt Source: DMA channel 6; Interrupt Flag: DMA6IFG 10h = Interrupt Source: DMA channel 7; Interrupt Flag: DMA7IFG; Interrupt Priority: Lowest

Digital I/O

This chapter describes the operation of the digital I/O ports in all devices.

Topic	Page
8.1 Digital I/O Introduction	292
8.2 Digital I/O Operation	293
8.3 I/O Configuration	296
8.4 Digital I/O Registers	299

8.1 Digital I/O Introduction

The digital I/O features include:

- Independently programmable individual I/Os
- Any combination of input or output
- Individually configurable P1 and P2 interrupts. Some devices may include additional port interrupts.
- Independent input and output data registers
- Individually configurable pullup or pulldown resistors

Devices within the family may have up to twelve digital I/O ports implemented (P1 to P11 and PJ). Most ports contain eight I/O lines; however, some ports may contain less (see the device-specific data sheet for ports available). Each I/O line is individually configurable for input or output direction, and each can be individually read or written. Each I/O line is individually configurable for pullup or pulldown resistors.

Ports P1 and P2 always have interrupt capability. Each interrupt for the P1 and P2 I/O lines can be individually enabled and configured to provide an interrupt on a rising or falling edge of an input signal. All P1 I/O lines source a single interrupt vector (**P1IV**), and all P2 I/O lines source a different single interrupt vector (**P2IV**). Additional ports with interrupt capability may be available (see the device-specific data sheet for details) and contain their own respective interrupt vectors.

Individual ports can be accessed as byte-wide ports or can be combined into word-wide ports and accessed by word formats. Port pairs P1 and P2, P3 and P4, P5 and P6, P7 and P8, and so on, are associated with the names PA, PB, PC, PD, and so on, respectively. All port registers are handled in this manner with this naming convention except for the interrupt vector registers, P1IV and P2IV; that is, PAIV does not exist.

When writing to port PA with word operations, all 16 bits are written to the port. When writing to the lower byte of port PA using byte operations, the upper byte remains unchanged. Similarly, writing to the upper byte of port PA using byte instructions leaves the lower byte unchanged. When writing to a port that contains less than the maximum number of bits possible, the unused bits are don't care. Ports PB, PC, PD, PE, and PF behave similarly.

Reading port PA using word operations causes all 16 bits to be transferred to the destination. Reading the lower or upper byte of port PA (P1 or P2) and storing to memory using byte operations causes only the lower or upper byte to be transferred to the destination, respectively. Reading of port PA and storing to a general-purpose register using byte operations writes the byte that is transferred to the least significant byte of the register. The upper significant byte of the destination register is cleared automatically. Ports PB, PC, PD, PE, and PF behave similarly. When reading from ports that contain fewer than the maximum bits possible, unused bits are read as zeros (similarly for port PJ).

8.2 Digital I/O Operation

The digital I/O are configured with user software. The setup and operation of the digital I/O are discussed in the following sections.

8.2.1 Input Registers (PxIN)

Each bit in each PxIN register reflects the value of the input signal at the corresponding I/O pin when the pin is configured as I/O function. These registers are read only.

- Bit = 0: Input is low
- Bit = 1: Input is high

NOTE: Writing to read-only registers PxIN

Writing to these read-only registers results in increased current consumption while the write attempt is active.

8.2.2 Output Registers (PxOUT)

Each bit in each PxOUT register is the value to be output on the corresponding I/O pin when the pin is configured as I/O function, output direction.

- Bit = 0: Output is low
- Bit = 1: Output is high

If the pin is configured as I/O function, input direction and the pullup or pulldown resistor are enabled; the corresponding bit in the PxOUT register selects pullup or pulldown.

- Bit = 0: Pin is pulled down
- Bit = 1: Pin is pulled up

8.2.3 Direction Registers (PxDIR)

Each bit in each PxDIR register selects the direction of the corresponding I/O pin, regardless of the selected function for the pin. PxDIR bits for I/O pins that are selected for other functions must be set as required by the other function.

- Bit = 0: Port pin is switched to input direction
- Bit = 1: Port pin is switched to output direction

8.2.4 Pullup or Pulldown Resistor Enable Registers (PxREN)

Each bit in each PxREN register enables or disables the pullup or pulldown resistor of the corresponding I/O pin. The corresponding bit in the PxOUT register selects if the pin contains a pullup or pulldown.

- Bit = 0: Pullup or pulldown resistor disabled
- Bit = 1: Pullup or pulldown resistor enabled

Table 8-1 summarizes the use of PxDIR, PxREN, and PxOUT for proper I/O configuration.

Table 8-1. I/O Configuration

PxDIR	PxREN	PxOUT	I/O Configuration
0	0	x	Input
0	1	0	Input with pulldown resistor
0	1	1	Input with pullup resistor
1	x	x	Output

8.2.5 Function Select Registers (PxSEL0, PxSEL1)

Port pins are often multiplexed with other peripheral module functions. See the device-specific data sheet to determine pin functions. Each port pin uses two bits to select the pin function – I/O port or one of the three possible peripheral module function. Table 8-2 shows how to select the various module functions. See the device-specific data sheet to determine pin functions. Each PxSEL bit is used to select the pin function – I/O port or peripheral module function.

Table 8-2. I/O Function Selection

PxSEL1	PxSEL0	I/O Function
0	0	General purpose I/O is selected
0	1	Primary module function is selected
1	0	Secondary module function is selected
1	1	Tertiary module function is selected

Setting the PxSEL1 or PxSEL0 bits to a module function does not automatically set the pin direction. Other peripheral module functions may require the PxDIR bits to be configured according to the direction needed for the module function. See the pin schematics in the device-specific data sheet.

When a port pin is selected as an input to peripheral modules, the input signal to those peripheral modules is a latched representation of the signal at the device pin. While PxSEL1 and PxSEL0 is other than 00, the internal input signal follows the signal at the pin for all connected modules. However, if PxSEL1 and PxSEL0 = 00, the input to the peripherals maintain the value of the input signal at the device pin before the PxSEL1 and PxSEL0 bits were reset.

Because the PxSEL1 and PxSEL0 bits do not reside in contiguous addresses, changing both bits at the same time is not possible. For example, an application might need to change P1.0 from general purpose I/O to the tertiary module function residing on P1.0. Initially, P1SEL1 = 00h and P1SEL0 = 00h. To change the function, it would be necessary to write both P1SEL1 = 01h and P1SEL0 = 01h. This is not possible without first passing through an intermediate configuration, and this configuration may not be desirable from an application standpoint. The PxSELC complement register can be used to handle such situations. The PxSELC register always reads 0. Each set bit of the PxSELC register complements the corresponding respective bit of the PxSEL1 and PxSEL0 registers. In the example, with P1SEL1 = 00h and P1SEL0 = 00h initially, writing P1SELC = 01h causes P1SEL1 = 01h and P1SEL0 = 01h to be written simultaneously.

NOTE: Interrupts are disabled when PxSEL1 = 1 or PxSEL0 = 1

When any PxSEL bit is set, the corresponding pin interrupt function is disabled. Therefore, signals on these pins do not generate interrupts, regardless of the state of the corresponding PxIE bit.

8.2.6 Port Interrupts

At least each pin in ports P1 and P2 have interrupt capability, configured with the PxIFG, PxIE, and PxIES registers. Some devices may contain additional port interrupts besides P1 and P2. See the device-specific data sheet to determine which port interrupts are available.

All Px interrupt flags are prioritized, with PxIFG.0 being the highest, and combined to source a single interrupt vector. The highest priority enabled interrupt generates a number in the PxIV register. This number can be evaluated or added to the program counter to automatically enter the appropriate software routine. Disabled Px interrupts do not affect the PxIV value. The PxIV registers are word or byte access.

Each PxIFG bit is the interrupt flag for its corresponding I/O pin, and the flag is set when the selected input signal edge occurs at the pin. All PxIFG interrupt flags request an interrupt when their corresponding PxIE bit and the GIE bit are set. Software can also set each PxIFG flag, providing a way to generate a software-initiated interrupt.

- Bit = 0: No interrupt is pending
- Bit = 1: An interrupt is pending

Only transitions, not static levels, cause interrupts. If any PxIFG flag becomes set during a Px interrupt service routine or is set after the RETI instruction of a Px interrupt service routine is executed, the set PxIFG flag generates another interrupt. This ensures that each transition is acknowledged.

NOTE: PxIFG flags when changing PxOUT, PxDIR, or PxREN

Writing to PxOUT, PxDIR, or PxREN can result in setting the corresponding PxIFG flags.

Any access (read or write) of the lower byte of the PxIV register, either word or byte access, automatically resets the highest pending interrupt flag. If another interrupt flag is set, another interrupt is immediately generated after servicing the initial interrupt.

For example, assume that P1IFG.0 has the highest priority. If the P1IFG.0 and P1IFG.2 flags are set when the interrupt service routine accesses the P1IV register, P1IFG.0 is reset automatically. After the RETI instruction of the interrupt service routine is executed, the P1IFG.2 generates another interrupt.

8.2.6.1 P1IV Software Example

The following software example shows the recommended use of P1IV and the handling overhead. The P1IV value is added to the PC to automatically jump to the appropriate routine. The code to handle any other PxIV register is similar.

The numbers at the right margin show the number of CPU cycles that are required for each instruction. The software overhead for different interrupt sources includes interrupt latency and return-from-interrupt cycles but not the task handling itself.

```

;Interrupt handler for P1
P1_HND    ...           ; Interrupt latency           Cycles
          ADD          &P1IV,PC      ; Add offset to Jump table      6
          RETI         ; Vector 0: No interrupt          3
          JMP         P1_0_HND      ; Vector 2: Port 1 bit 0        5
          JMP         P1_1_HND      ; Vector 4: Port 1 bit 1        2
          JMP         P1_2_HND      ; Vector 6: Port 1 bit 2        2
          JMP         P1_3_HND      ; Vector 8: Port 1 bit 3        2
          JMP         P1_4_HND      ; Vector 10: Port 1 bit 4       2
          JMP         P1_5_HND      ; Vector 12: Port 1 bit 5       2
          JMP         P1_6_HND      ; Vector 14: Port 1 bit 6       2
          JMP         P1_7_HND      ; Vector 16: Port 1 bit 7       2

P1_7_HND  ...           ; Vector 16: Port 1 bit 7
          RETI         ; Task starts here
          RETI         ; Back to main program           5

P1_6_HND  ...           ; Vector 14: Port 1 bit 6
          RETI         ; Task starts here
          RETI         ; Back to main program           5

P1_5_HND  ...           ; Vector 12: Port 1 bit 5
          RETI         ; Task starts here
          RETI         ; Back to main program           5

P1_4_HND  ...           ; Vector 10: Port 1 bit 4
          RETI         ; Task starts here
          RETI         ; Back to main program           5

P1_3_HND  ...           ; Vector 8: Port 1 bit 3
          RETI         ; Task starts here
          RETI         ; Back to main program           5

P1_2_HND  ...           ; Vector 6: Port 1 bit 2
          RETI         ; Task starts here
          RETI         ; Back to main program           5

P1_1_HND  ...           ; Vector 4: Port 1 bit 1
          RETI         ; Task starts here

```

```

    RETI                ; Back to main program          5
P1_0_HND              ; Vector 2: Port 1 bit 0
    ...                ; Task starts here
    RETI                ; Back to main program          5

```

8.2.6.2 Interrupt Edge Select Registers (PxIES)

Each PxIES bit selects the interrupt edge for the corresponding I/O pin.

- Bit = 0: Respective PxIFG flag is set on a low-to-high transition
- Bit = 1: Respective PxIFG flag is set on a high-to-low transition

NOTE: Writing to PxIES

Writing to [P1IES](#) or [P2IES](#) for each corresponding I/O can result in setting the corresponding interrupt flags.

PxIES	PxIN	PxIFG
0 → 1	0	Will be set
0 → 1	1	Unchanged
1 → 0	0	Unchanged
1 → 0	1	Will be set

8.2.6.3 Interrupt Enable Registers (PxIE)

Each PxIE bit enables the associated PxIFG interrupt flag.

- Bit = 0: The interrupt is disabled
- Bit = 1: The interrupt is enabled

8.3 I/O Configuration

8.3.1 Configuration After Reset

After a reset, all port pins are configured as inputs with their module functions disabled. To prevent floating inputs, all port pins, including unused ones ([Section 8.3.2](#)), should be configured according to the application needs as early as possible during the initialization procedure.

8.3.2 Configuration of Unused Port Pins

To prevent a floating input and to reduce power consumption, unused I/O pins should be configured as I/O function, output direction, and left unconnected on the PC board. The value of the PxOUT bit is don't care, because the pin is unconnected. Alternatively, the integrated pullup or pulldown resistor can be enabled by setting the PxREN bit of the unused pin to prevent a floating input. See the *System Resets, Interrupts, and Operating Modes, System Control Module (SYS)* chapter for termination of unused pins.

NOTE: Configuring port PJ and shared JTAG pins:

The application should make sure that port PJ is configured properly to prevent a floating input. Because port PJ is shared with the JTAG function, floating inputs may not be noticed when in an emulation environment. Port J is initialized to high-impedance inputs by default.

8.3.3 Configuration for LPMx.5 Low-Power Modes

NOTE: See [Section 1.4.3, Entering and Exiting Low-Power Modes LPMx.5](#), in the *System Resets, Interrupts, and Operating Modes, System Control Module (SYS)* chapter for details about LPMx.5 low-power modes.

See the device-specific data sheet to determine which LPMx.5 low-power modes are available and which modules can operate in LPM3.5, if any.

With regard to the digital I/O, the following description is applicable to both LPM3.5 and LPM4.5.

Upon entering LPMx.5 (LPM3.5 or LPM4.5) the LDO of the PMM module is disabled, which removes the supply voltage from the core of the device. This causes all I/O register configurations to be lost, thus the configuration of I/O pins must be handled differently to ensure that all pins in the application behave in a controlled manner upon entering and exiting LPMx.5. Properly setting the I/O pins is critical to achieve the lowest possible power consumption in LPMx.5, and to prevent an uncontrolled input or output I/O state in the application. The application has complete control of the I/O pin conditions that are necessary to prevent unwanted spurious activity upon entry and exit from LPMx.5.

Before entering LPMx.5 the following operations are required for the I/Os:

- a. Set all I/Os to general-purpose I/Os (PxSEL0 = 000h and PxSEL1 = 000h) and configure as needed. Each I/O can be set to input high impedance, input with pulldown, input with pullup, output high, or output low. It is critical that no inputs are left floating in the application; otherwise, excess current may be drawn in LPMx.5.

Configuring the I/O in this manner ensures that each pin is in a safe condition before entering LPMx.5.

- b. Optionally, configure input interrupt pins for wake-up from LPMx.5. To wake the device from LPMx.5, a general-purpose I/O port must contain an input port with interrupt and wakeup capability. Not all inputs with interrupt capability offer wakeup from LPMx.5. See the device-specific data sheet for availability. To wake up the device, a port pin must be configured properly before entering LPMx.5. Each port should be configured as general-purpose input. Pulldowns or pullups can be applied if required. Setting the PxIES bit of the corresponding register determines the edge transition that wakes the device. Last, the PxIE for the port must be enabled, as well as the general interrupt enable.

NOTE: It is not possible to wake up from a port interrupt if its respective port interrupt flag is already asserted. It is recommended that the flag be cleared before entering LPMx.5. It is also recommended that GIE = 1 be set before entry into LPMx.5. Any pending flags in this case could then be serviced before LPMx.5 entry.

This completes the operations required for the I/Os before entering LPMx.5.

During LPMx.5 the I/O pin states are held and locked based on the settings before LPMx.5 entry. Note that only the pin conditions are retained. All other port configuration register settings such as PxDIR, PxREN, PxOUT, PxIES, and PxIE contents are lost.

Upon exit from LPMx.5, all peripheral registers are set to their default conditions but the I/O pins remain locked while LOCKLPM5 remains set. Keeping the I/O pins locked ensures that all pin conditions remain stable when entering the active mode, regardless of the default I/O register settings.

When back in active mode, the I/O configuration and I/O interrupt configuration such as PxDIR, PxREN, PxOUT, and PxIES should be restored to the values before entering LPMx.5. The LOCKLPM5 bit can then be cleared, which releases the I/O pin conditions and I/O interrupt configuration. Any changes to the port configuration registers while LOCKLPM5 is set have no effect on the I/O pins.

After enabling the I/O interrupts by configuring PxIE, the I/O interrupt that caused the wakeup can be serviced as indicated by the PxIFG flags. These flags can be used directly, or the corresponding PxIV register may be used. Note that the PxIFG flag cannot be cleared until the LOCKLPM5 bit has been cleared.

NOTE: It is possible that multiple events occurred on various ports. In these cases, multiple PxIFG flags are set, and it cannot be determined which port caused the I/O wakeup.

8.4 Digital I/O Registers

The digital I/O registers are listed in [Table 8-3](#). The base addresses can be found in the device-specific data sheet. Each port grouping begins at its base address. The address offsets are given in [Table 8-3](#).

NOTE: All registers have word or byte register access. For a generic register *ANYREG*, the suffix "_L" (*ANYREG_L*) refers to the lower byte of the register (bits 0 through 7). The suffix "_H" (*ANYREG_H*) refers to the upper byte of the register (bits 8 through 15).

Table 8-3. Digital I/O Registers

Offset	Acronym	Register Name	Type	Access	Reset	Section
0Eh	P1IV	Port 1 Interrupt Vector	Read only	Word	0000h	Section 8.4.1
0Eh	P1IV_L		Read only	Byte	00h	
0Fh	P1IV_H		Read only	Byte	00h	
1Eh	P2IV	Port 2 Interrupt Vector	Read only	Word	0000h	Section 8.4.1
1Eh	P2IV_L		Read only	Byte	00h	
1Fh	P2IV_H		Read only	Byte	00h	
2Eh	P3IV	Port 3 Interrupt Vector	Read only	Word	0000h	Section 8.4.1
2Eh	P3IV_L		Read only	Byte	00h	
2Fh	P3IV_H		Read only	Byte	00h	
3Eh	P4IV	Port 4 Interrupt Vector	Read only	Word	0000h	Section 8.4.1
3Eh	P4IV_L		Read only	Byte	00h	
3Fh	P4IV_H		Read only	Byte	00h	
4Eh	P5IV	Port 5 Interrupt Vector	Read only	Word	0000h	Section 8.4.1
4Eh	P5IV_L		Read only	Byte	00h	
4Fh	P5IV_H		Read only	Byte	00h	
5Eh	P6IV	Port 6 Interrupt Vector	Read only	Word	0000h	Section 8.4.1
5Eh	P6IV_L		Read only	Byte	00h	
5Fh	P6IV_H		Read only	Byte	00h	
6Eh	P7IV	Port 7 Interrupt Vector	Read only	Word	0000h	Section 8.4.1
6Eh	P7IV_L		Read only	Byte	00h	
6Fh	P7IV_H		Read only	Byte	00h	
7Eh	P8IV	Port 8 Interrupt Vector	Read only	Word	0000h	Section 8.4.1
7Eh	P8IV_L		Read only	Byte	00h	
7Fh	P8IV_H		Read only	Byte	00h	
8Eh	P9IV	Port 9 Interrupt Vector	Read only	Word	0000h	Section 8.4.1
8Eh	P9IV_L		Read only	Byte	00h	
8Fh	P9IV_H		Read only	Byte	00h	
00h	P1IN or PAIN_L	Port 1 Input	Read only	Byte	undefined	Section 8.4.2
02h	P1OUT or PAOUT_L	Port 1 Output	Read/write	Byte	undefined	Section 8.4.3
04h	P1DIR or PADIR_L	Port 1 Direction	Read/write	Byte	00h	Section 8.4.4
06h	P1REN or PAREN_L	Port 1 Resistor Enable	Read/write	Byte	00h	Section 8.4.5
0Ah	P1SEL0 or PASEL0_L	Port 1 Select 0	Read/write	Byte	00h	Section 8.4.6
0Ch	P1SEL1 or PASEL1_L	Port 1 Select 1	Read/write	Byte	00h	Section 8.4.7
16h	P1SELC or PASELC_L	Port 1 Complement Selection	Read/write	Byte	00h	Section 8.4.8

Table 8-3. Digital I/O Registers (continued)

Offset	Acronym	Register Name	Type	Access	Reset	Section
18h	P1IES or PAIES_L	Port 1 Interrupt Edge Select	Read/write	Byte	undefined	Section 8.4.9
1Ah	P1IE or PAIE_L	Port 1 Interrupt Enable	Read/write	Byte	00h	Section 8.4.10
1Ch	P1IFG or PAIFG_L	Port 1 Interrupt Flag	Read/write	Byte	00h	Section 8.4.11

Table 8-3. Digital I/O Registers (continued)

Offset	Acronym	Register Name	Type	Access	Reset	Section
01h	P2IN or PAIN_H	Port 2 Input	Read only	Byte	undefined	Section 8.4.2
03h	P2OUT or PAOUT_H	Port 2 Output	Read/write	Byte	undefined	Section 8.4.3
05h	P2DIR or PADIR_H	Port 2 Direction	Read/write	Byte	00h	Section 8.4.4
07h	P2REN or PAREN_H	Port 2 Resistor Enable	Read/write	Byte	00h	Section 8.4.5
0Bh	P2SEL0 or PASEL0_H	Port 2 Select 0	Read/write	Byte	00h	Section 8.4.6
0Dh	P2SEL1 or PASEL1_H	Port 2 Select 1	Read/write	Byte	00h	Section 8.4.7
17h	P2SELC or PASELC_L	Port 2 Complement Selection	Read/write	Byte	00h	Section 8.4.8
19h	P2IES or PAIES_H	Port 2 Interrupt Edge Select	Read/write	Byte	undefined	Section 8.4.9
1Bh	P2IE or PAIE_H	Port 2 Interrupt Enable	Read/write	Byte	00h	Section 8.4.10
1Dh	P2IFG or PAIFG_H	Port 2 Interrupt Flag	Read/write	Byte	00h	Section 8.4.11
00h	P3IN or PBIN_L	Port 3 Input	Read only	Byte	undefined	Section 8.4.2
02h	P3OUT or PBOUT_L	Port 3 Output	Read/write	Byte	undefined	Section 8.4.3
04h	P3DIR or PBDIR_L	Port 3 Direction	Read/write	Byte	00h	Section 8.4.4
06h	P3REN or PBREN_L	Port 3 Resistor Enable	Read/write	Byte	00h	Section 8.4.5
0Ah	P3SEL0 or PBSEL0_L	Port 3 Select 0	Read/write	Byte	00h	Section 8.4.6
0Ch	P3SEL1 or PBSEL1_L	Port 3 Select 1	Read/write	Byte	00h	Section 8.4.7
16h	P3SELC or PBSELC_L	Port 3 Complement Selection	Read/write	Byte	00h	Section 8.4.8
18h	P3IES or PBIES_L	Port 3 Interrupt Edge Select	Read/write	Byte	undefined	Section 8.4.9
1Ah	P3IE or PBIE_L	Port 3 Interrupt Enable	Read/write	Byte	00h	Section 8.4.10
1Ch	P3IFG or PBIFG_L	Port 3 Interrupt Flag	Read/write	Byte	00h	Section 8.4.11

Table 8-3. Digital I/O Registers (continued)

Offset	Acronym	Register Name	Type	Access	Reset	Section
01h	P4IN or PBIN_H	Port 4 Input	Read only	Byte	undefined	Section 8.4.2
03h	P4OUT or PBOUT_H	Port 4 Output	Read/write	Byte	undefined	Section 8.4.3
05h	P4DIR or PBDIR_H	Port 4 Direction	Read/write	Byte	00h	Section 8.4.4
07h	P4REN or PBREN_H	Port 4 Resistor Enable	Read/write	Byte	00h	Section 8.4.5
0Bh	P4SEL0 or PBSEL0_H	Port 4 Select 0	Read/write	Byte	00h	Section 8.4.6
0Dh	P4SEL1 or PBSEL1_H	Port 4 Select 1	Read/write	Byte	00h	Section 8.4.7
17h	P4SELC or PBSELC_L	Port 4 Complement Selection	Read/write	Byte	00h	Section 8.4.8
19h	P4IES or PBIES_H	Port 4 Interrupt Edge Select	Read/write	Byte	undefined	Section 8.4.9
1Bh	P4IE or PBIE_H	Port 4 Interrupt Enable	Read/write	Byte	00h	Section 8.4.10
1Dh	P4IFG or PBIFG_H	Port 4 Interrupt Flag	Read/write	Byte	00h	Section 8.4.11
00h	P5IN or PCIN_L	Port 5 Input	Read only	Byte	undefined	Section 8.4.2
02h	P5OUT or PCOUT_L	Port 5 Output	Read/write	Byte	undefined	Section 8.4.3
04h	P5DIR or PCDIR_L	Port 5 Direction	Read/write	Byte	00h	Section 8.4.4
06h	P5REN or PCREN_L	Port 5 Resistor Enable	Read/write	Byte	00h	Section 8.4.5
0Ah	P5SEL0 or PCSEL0_L	Port 5 Select 0	Read/write	Byte	00h	Section 8.4.6
0Ch	P5SEL1 or PCSEL1_L	Port 5 Select 1	Read/write	Byte	00h	Section 8.4.7
16h	P5SELC or PCSELC_L	Port 5 Complement Selection	Read/write	Byte	00h	Section 8.4.8
18h	P5IES or PCIES_L	Port 5 Interrupt Edge Select	Read/write	Byte	undefined	Section 8.4.9
1Ah	P5IE or PCIE_L	Port 5 Interrupt Enable	Read/write	Byte	00h	Section 8.4.10
1Ch	P5IFG or PCIFG_L	Port 5 Interrupt Flag	Read/write	Byte	00h	Section 8.4.11

Table 8-3. Digital I/O Registers (continued)

Offset	Acronym	Register Name	Type	Access	Reset	Section
01h	P6IN or PCIN_H	Port 6 Input	Read only	Byte	undefined	Section 8.4.2
03h	P6OUT or PCOUT_H	Port 6 Output	Read/write	Byte	undefined	Section 8.4.3
05h	P6DIR or PCDIR_H	Port 6 Direction	Read/write	Byte	00h	Section 8.4.4
07h	P6REN or PCREN_H	Port 6 Resistor Enable	Read/write	Byte	00h	Section 8.4.5
0Bh	P6SEL0 or PCSEL0_H	Port 6 Select 0	Read/write	Byte	00h	Section 8.4.6
0Dh	P6SEL1 or PCSEL1_H	Port 6 Select 1	Read/write	Byte	00h	Section 8.4.7
17h	P6SELC or PCSELC_L	Port 6 Complement Selection	Read/write	Byte	00h	Section 8.4.8
19h	P6IES or PCIES_H	Port 6 Interrupt Edge Select	Read/write	Byte	undefined	Section 8.4.9
1Bh	P6IE or PCIE_H	Port 6 Interrupt Enable	Read/write	Byte	00h	Section 8.4.10
1Dh	P6IFG or PCIFG_H	Port 6 Interrupt Flag	Read/write	Byte	00h	Section 8.4.11
00h	P7IN or PDIN_L	Port 7 Input	Read only	Byte	undefined	Section 8.4.2
02h	P7OUT or PDOUT_L	Port 7 Output	Read/write	Byte	undefined	Section 8.4.3
04h	P7DIR or PDDIR_L	Port 7 Direction	Read/write	Byte	00h	Section 8.4.4
06h	P7REN or PDREN_L	Port 7 Resistor Enable	Read/write	Byte	00h	Section 8.4.5
0Ah	P7SEL0 or PDSEL0_L	Port 7 Select 0	Read/write	Byte	00h	Section 8.4.6
0Ch	P7SEL1 or PDSEL1_L	Port 7 Select 1	Read/write	Byte	00h	Section 8.4.7
16h	P7SELC or PDSELC_L	Port 7 Complement Selection	Read/write	Byte	00h	Section 8.4.8
18h	P7IES or PDIES_L	Port 7 Interrupt Edge Select	Read/write	Byte	undefined	Section 8.4.9
1Ah	P7IE or PDIE_L	Port 7 Interrupt Enable	Read/write	Byte	00h	Section 8.4.10
1Ch	P7IFG or PDIFG_L	Port 7 Interrupt Flag	Read/write	Byte	00h	Section 8.4.11

Table 8-3. Digital I/O Registers (continued)

Offset	Acronym	Register Name	Type	Access	Reset	Section
01h	P8IN or PDIN_H	Port 8 Input	Read only	Byte	undefined	Section 8.4.2
03h	P8OUT or PDOUT_H	Port 8 Output	Read/write	Byte	undefined	Section 8.4.3
05h	P8DIR or PDDIR_H	Port 8 Direction	Read/write	Byte	00h	Section 8.4.4
07h	P8REN or PDREN_H	Port 8 Resistor Enable	Read/write	Byte	00h	Section 8.4.5
0Bh	P8SEL0 or PDSEL0_H	Port 8 Select 0	Read/write	Byte	00h	Section 8.4.6
0Dh	P8SEL1 or PDSEL1_H	Port 8 Select 1	Read/write	Byte	00h	Section 8.4.7
17h	P8SELC or PDSELC_L	Port 8 Complement Selection	Read/write	Byte	00h	Section 8.4.8
19h	P8IES or PDIES_H	Port 8 Interrupt Edge Select	Read/write	Byte	undefined	Section 8.4.9
1Bh	P8IE or PDIE_H	Port 8 Interrupt Enable	Read/write	Byte	00h	Section 8.4.10
1Dh	P8IFG or PDIFG_H	Port 8 Interrupt Flag	Read/write	Byte	00h	Section 8.4.11
00h	P9IN or PEIN_L	Port 9 Input	Read only	Byte	undefined	Section 8.4.2
02h	P9OUT or PEOUT_L	Port 9 Output	Read/write	Byte	undefined	Section 8.4.3
04h	P9DIR or PEDIR_L	Port 9 Direction	Read/write	Byte	00h	Section 8.4.4
06h	P9REN or PEREN_L	Port 9 Resistor Enable	Read/write	Byte	00h	Section 8.4.5
0Ah	P9SEL0 or PESEL0_L	Port 9 Select 0	Read/write	Byte	00h	Section 8.4.6
0Ch	P9SEL1 or PESEL1_L	Port 9 Select 1	Read/write	Byte	00h	Section 8.4.7
16h	P9SELC or PESELC_L	Port 9 Complement Selection	Read/write	Byte	00h	Section 8.4.8
18h	P9IES or PEIES_L	Port 9 Interrupt Edge Select	Read/write	Byte	undefined	Section 8.4.9
1Ah	P9IE or PEIE_L	Port 9 Interrupt Enable	Read/write	Byte	00h	Section 8.4.10
1Ch	P9IFG or PEIFG_L	Port 9 Interrupt Flag	Read/write	Byte	00h	Section 8.4.11

Table 8-3. Digital I/O Registers (continued)

Offset	Acronym	Register Name	Type	Access	Reset	Section
01h	P10IN or PEIN_H	Port 10 Input	Read only	Byte	undefined	Section 8.4.2
03h	P10OUT or PEOUT_H	Port 10 Output	Read/write	Byte	undefined	Section 8.4.3
05h	P10DIR or PEDIR_H	Port 10 Direction	Read/write	Byte	00h	Section 8.4.4
07h	P10REN or PEREN_H	Port 10 Resistor Enable	Read/write	Byte	00h	Section 8.4.5
0Bh	P10SEL0 or PESEL0_H	Port 10 Select 0	Read/write	Byte	00h	Section 8.4.6
0Dh	P10SEL1 or PESEL1_H	Port 10 Select 1	Read/write	Byte	00h	Section 8.4.7
17h	P10SELC or PESELC_L	Port 10 Complement Selection	Read/write	Byte	00h	Section 8.4.8
19h	P10IES or PEIES_H	Port 10 Interrupt Edge Select	Read/write	Byte	undefined	Section 8.4.9
1Bh	P10IE or PEIE_H	Port 10 Interrupt Enable	Read/write	Byte	00h	Section 8.4.10
1Dh	P10IFG or PEIFG_H	Port 10 Interrupt Flag	Read/write	Byte	00h	Section 8.4.11
00h	P11IN or PFIN_L	Port 11 Input	Read only	Byte	undefined	Section 8.4.2
02h	P11OUT or PFOUT_L	Port 11 Output	Read/write	Byte	undefined	Section 8.4.3
04h	P11DIR or PFDIR_L	Port 11 Direction	Read/write	Byte	00h	Section 8.4.4
06h	P11REN or PFREN_L	Port 11 Resistor Enable	Read/write	Byte	00h	Section 8.4.5
0Ah	P11SEL0 or PFSEL0_L	Port 11 Select 0	Read/write	Byte	00h	Section 8.4.6
0Ch	P11SEL1 or PFSEL1_L	Port 11 Select 1	Read/write	Byte	00h	Section 8.4.7
16h	P11SELC or PFSELC_L	Port 11 Complement Selection	Read/write	Byte	00h	Section 8.4.8
18h	P11IES or PFIES_L	Port 11 Interrupt Edge Select	Read/write	Byte	undefined	Section 8.4.9
1Ah	P11IE or PFIE_L	Port 11 Interrupt Enable	Read/write	Byte	00h	Section 8.4.10
1Ch	P11IFG or PFIFG_L	Port 11 Interrupt Flag	Read/write	Byte	00h	Section 8.4.11

Table 8-3. Digital I/O Registers (continued)

Offset	Acronym	Register Name	Type	Access	Reset	Section
00h	PAIN	Port A Input	Read only	Word	undefined	
00h	PAIN_L		Read only	Byte	undefined	
01h	PAIN_H		Read only	Byte	undefined	
02h	PAOUT	Port A Output	Read/write	Word	undefined	
02h	PAOUT_L		Read/write	Byte	undefined	
03h	PAOUT_H		Read/write	Byte	undefined	
04h	PADIR	Port A Direction	Read/write	Word	0000h	
04h	PADIR_L		Read/write	Byte	00h	
05h	PADIR_H		Read/write	Byte	00h	
06h	PAREN	Port A Resistor Enable	Read/write	Word	0000h	
06h	PAREN_L		Read/write	Byte	00h	
07h	PAREN_H		Read/write	Byte	00h	
0Ah	PASEL0	Port A Select 0	Read/write	Word	0000h	
0Ah	PASEL0_L		Read/write	Byte	00h	
0Bh	PASEL0_H		Read/write	Byte	00h	
0Ch	PASEL1	Port A Select 1	Read/write	Word	0000h	
0Ch	PASEL1_L		Read/write	Byte	00h	
0Dh	PASEL1_H		Read/write	Byte	00h	
16h	PASELC	Port A Complement Select	Read/write	Word	0000h	
16h	PASELC_L		Read/write	Byte	00h	
17h	PASELC_H		Read/write	Byte	00h	
18h	PAIES	Port A Interrupt Edge Select	Read/write	Word	undefined	
18h	PAIES_L		Read/write	Byte	undefined	
19h	PAIES_H		Read/write	Byte	undefined	
1Ah	PAIE	Port A Interrupt Enable	Read/write	Word	0000h	
1Ah	PAIE_L		Read/write	Byte	00h	
1Bh	PAIE_H		Read/write	Byte	00h	
1Ch	PAIFG	Port A Interrupt Flag	Read/write	Word	0000h	
1Ch	PAIFG_L		Read/write	Byte	00h	
1Dh	PAIFG_H		Read/write	Byte	00h	

Table 8-3. Digital I/O Registers (continued)

Offset	Acronym	Register Name	Type	Access	Reset	Section
00h	PBIN	Port B Input	Read only	Word	undefined	
00h	PBIN_L		Read only	Byte	undefined	
01h	PBIN_H		Read only	Byte	undefined	
02h	PBOUT	Port B Output	Read/write	Word	undefined	
02h	PBOUT_L		Read/write	Byte	undefined	
03h	PBOUT_H		Read/write	Byte	undefined	
04h	PBDIR	Port B Direction	Read/write	Word	0000h	
04h	PBDIR_L		Read/write	Byte	00h	
05h	PBDIR_H		Read/write	Byte	00h	
06h	PBREN	Port B Resistor Enable	Read/write	Word	0000h	
06h	PBREN_L		Read/write	Byte	00h	
07h	PBREN_H		Read/write	Byte	00h	
0Ah	PBSEL0	Port B Select 0	Read/write	Word	0000h	
0Ah	PBSEL0_L		Read/write	Byte	00h	
0Bh	PBSEL0_H		Read/write	Byte	00h	
0Ch	PBSEL1	Port B Select 1	Read/write	Word	0000h	
0Ch	PBSEL1_L		Read/write	Byte	00h	
0Dh	PBSEL1_H		Read/write	Byte	00h	
16h	PBSELC	Port B Complement Select	Read/write	Word	0000h	
16h	PBSELC_L		Read/write	Byte	00h	
17h	PBSELC_H		Read/write	Byte	00h	
18h	PBIES	Port B Interrupt Edge Select	Read/write	Word	undefined	
18h	PBIES_L		Read/write	Byte	undefined	
19h	PBIES_H		Read/write	Byte	undefined	
1Ah	PBIE	Port B Interrupt Enable	Read/write	Word	0000h	
1Ah	PBIE_L		Read/write	Byte	00h	
1Bh	PBIE_H		Read/write	Byte	00h	
1Ch	PBIFG	Port B Interrupt Flag	Read/write	Word	0000h	
1Ch	PBIFG_L		Read/write	Byte	00h	
1Dh	PBIFG_H		Read/write	Byte	00h	

Table 8-3. Digital I/O Registers (continued)

Offset	Acronym	Register Name	Type	Access	Reset	Section
00h	PCIN	Port C Input	Read only	Word	undefined	
00h	PCIN_L		Read only	Byte	undefined	
01h	PCIN_H		Read only	Byte	undefined	
02h	PCOUT	Port C Output	Read/write	Word	undefined	
02h	PCOUT_L		Read/write	Byte	undefined	
03h	PCOUT_H		Read/write	Byte	undefined	
04h	PCDIR	Port C Direction	Read/write	Word	0000h	
04h	PCDIR_L		Read/write	Byte	00h	
05h	PCDIR_H		Read/write	Byte	00h	
06h	PCREN	Port C Resistor Enable	Read/write	Word	0000h	
06h	PCREN_L		Read/write	Byte	00h	
07h	PCREN_H		Read/write	Byte	00h	
0Ah	PCSEL0	Port C Select 0	Read/write	Word	0000h	
0Ah	PCSEL0_L		Read/write	Byte	00h	
0Bh	PCSEL0_H		Read/write	Byte	00h	
0Ch	PCSEL1	Port C Select 1	Read/write	Word	0000h	
0Ch	PCSEL1_L		Read/write	Byte	00h	
0Dh	PCSEL1_H		Read/write	Byte	00h	
16h	PCSELC	Port C Complement Select	Read/write	Word	0000h	
16h	PCSELC_L		Read/write	Byte	00h	
17h	PCSELC_H		Read/write	Byte	00h	
18h	PCIES	Port C Interrupt Edge Select	Read/write	Word	undefined	
18h	PCIES_L		Read/write	Byte	undefined	
19h	PCIES_H		Read/write	Byte	undefined	
1Ah	PCIE	Port C Interrupt Enable	Read/write	Word	0000h	
1Ah	PCIE_L		Read/write	Byte	00h	
1Bh	PCIE_H		Read/write	Byte	00h	
1Ch	PCIFG	Port C Interrupt Flag	Read/write	Word	0000h	
1Ch	PCIFG_L		Read/write	Byte	00h	
1Dh	PCIFG_H		Read/write	Byte	00h	

Table 8-3. Digital I/O Registers (continued)

Offset	Acronym	Register Name	Type	Access	Reset	Section
00h	PDIN	Port D Input	Read only	Word	undefined	
00h	PDIN_L		Read only	Byte	undefined	
01h	PDIN_H		Read only	Byte	undefined	
02h	PDOUT	Port D Output	Read/write	Word	undefined	
02h	PDOUT_L		Read/write	Byte	undefined	
03h	PDOUT_H		Read/write	Byte	undefined	
04h	PDDIR	Port D Direction	Read/write	Word	0000h	
04h	PDDIR_L		Read/write	Byte	00h	
05h	PDDIR_H		Read/write	Byte	00h	
06h	PDREN	Port D Resistor Enable	Read/write	Word	0000h	
06h	PDREN_L		Read/write	Byte	00h	
07h	PDREN_H		Read/write	Byte	00h	
0Ah	PDSEL0	Port D Select 0	Read/write	Word	0000h	
0Ah	PDSEL0_L		Read/write	Byte	00h	
0Bh	PDSEL0_H		Read/write	Byte	00h	
0Ch	PDSEL1	Port D Select 1	Read/write	Word	0000h	
0Ch	PDSEL1_L		Read/write	Byte	00h	
0Dh	PDSEL1_H		Read/write	Byte	00h	
16h	PDSELC	Port D Complement Select	Read/write	Word	0000h	
16h	PDSELC_L		Read/write	Byte	00h	
17h	PDSELC_H		Read/write	Byte	00h	
18h	PDIES	Port D Interrupt Edge Select	Read/write	Word	undefined	
18h	PDIES_L		Read/write	Byte	undefined	
19h	PDIES_H		Read/write	Byte	undefined	
1Ah	PDIE	Port D Interrupt Enable	Read/write	Word	0000h	
1Ah	PDIE_L		Read/write	Byte	00h	
1Bh	PDIE_H		Read/write	Byte	00h	
1Ch	PDIFG	Port D Interrupt Flag	Read/write	Word	0000h	
1Ch	PDIFG_L		Read/write	Byte	00h	
1Dh	PDIFG_H		Read/write	Byte	00h	

Table 8-3. Digital I/O Registers (continued)

Offset	Acronym	Register Name	Type	Access	Reset	Section
00h	PEIN	Port E Input	Read only	Word	undefined	
00h	PEIN_L		Read only	Byte	undefined	
01h	PEIN_H		Read only	Byte	undefined	
02h	PEOUT	Port E Output	Read/write	Word	undefined	
02h	PEOUT_L		Read/write	Byte	undefined	
03h	PEOUT_H		Read/write	Byte	undefined	
04h	PEDIR	Port E Direction	Read/write	Word	0000h	
04h	PEDIR_L		Read/write	Byte	00h	
05h	PEDIR_H		Read/write	Byte	00h	
06h	PEREN	Port E Resistor Enable	Read/write	Word	0000h	
06h	PEREN_L		Read/write	Byte	00h	
07h	PEREN_H		Read/write	Byte	00h	
0Ah	PESEL0	Port E Select 0	Read/write	Word	0000h	
0Ah	PESEL0_L		Read/write	Byte	00h	
0Bh	PESEL0_H		Read/write	Byte	00h	
0Ch	PESEL1	Port E Select 1	Read/write	Word	0000h	
0Ch	PESEL1_L		Read/write	Byte	00h	
0Dh	PESEL1_H		Read/write	Byte	00h	
16h	PESELC	Port E Complement Select	Read/write	Word	0000h	
16h	PESELC_L		Read/write	Byte	00h	
17h	PESELC_H		Read/write	Byte	00h	
18h	PEIES	Port E Interrupt Edge Select	Read/write	Word	undefined	
18h	PEIES_L		Read/write	Byte	undefined	
19h	PEIES_H		Read/write	Byte	undefined	
1Ah	PEIE	Port E Interrupt Enable	Read/write	Word	0000h	
1Ah	PEIE_L		Read/write	Byte	00h	
1Bh	PEIE_H		Read/write	Byte	00h	
1Ch	PEIFG	Port E Interrupt Flag	Read/write	Word	0000h	
1Ch	PEIFG_L		Read/write	Byte	00h	
1Dh	PEIFG_H		Read/write	Byte	00h	

Table 8-3. Digital I/O Registers (continued)

Offset	Acronym	Register Name	Type	Access	Reset	Section
00h	PFIN	Port F Input	Read only	Word	undefined	
00h	PFIN_L		Read only	Byte	undefined	
01h	PFIN_H		Read only	Byte	undefined	
02h	PFOUT	Port F Output	Read/write	Word	undefined	
02h	PFOUT_L		Read/write	Byte	undefined	
03h	PFOUT_H		Read/write	Byte	undefined	
04h	PFDIR	Port F Direction	Read/write	Word	0000h	
04h	PFDIR_L		Read/write	Byte	00h	
05h	PFDIR_H		Read/write	Byte	00h	
06h	PFREN	Port F Resistor Enable	Read/write	Word	0000h	
06h	PFREN_L		Read/write	Byte	00h	
07h	PFREN_H		Read/write	Byte	00h	
0Ah	PFSEL0	Port F Select 0	Read/write	Word	0000h	
0Ah	PFSEL0_L		Read/write	Byte	00h	
0Bh	PFSEL0_H		Read/write	Byte	00h	
0Ch	PFSEL1	Port F Select 1	Read/write	Word	0000h	
0Ch	PFSEL1_L		Read/write	Byte	00h	
0Dh	PFSEL1_H		Read/write	Byte	00h	
16h	PFSELC	Port F Complement Select	Read/write	Word	0000h	
16h	PFSELC_L		Read/write	Byte	00h	
17h	PFSELC_H		Read/write	Byte	00h	
18h	PFIES	Port F Interrupt Edge Select	Read/write	Word	undefined	
18h	PFIES_L		Read/write	Byte	undefined	
19h	PFIES_H		Read/write	Byte	undefined	
1Ah	PFIE	Port F Interrupt Enable	Read/write	Word	0000h	
1Ah	PFIE_L		Read/write	Byte	00h	
1Bh	PFIE_H		Read/write	Byte	00h	
1Ch	PFIFG	Port F Interrupt Flag	Read/write	Word	0000h	
1Ch	PFIFG_L		Read/write	Byte	00h	
1Dh	PFIFG_H		Read/write	Byte	00h	

Table 8-3. Digital I/O Registers (continued)

Offset	Acronym	Register Name	Type	Access	Reset	Section
00h	PJIN	Port J Input	Read only	Word	undefined	
00h	PJIN_L		Read only	Byte	undefined	
01h	PJIN_H		Read only	Byte	undefined	
02h	PJOUT	Port J Output	Read/write	Word	undefined	
02h	PJOUT_L		Read/write	Byte	undefined	
03h	PJOUT_H		Read/write	Byte	undefined	
04h	PJDIR	Port J Direction	Read/write	Word	0000h	
04h	PJDIR_L		Read/write	Byte	00h	
05h	PJDIR_H		Read/write	Byte	00h	
06h	PJREN	Port J Resistor Enable	Read/write	Word	0000h	
06h	PJREN_L		Read/write	Byte	00h	
07h	PJREN_H		Read/write	Byte	00h	
0Ah	PJSEL0	Port J Select 0	Read/write	Word	0000h	
0Ah	PJSEL0_L		Read/write	Byte	00h	
0Bh	PJSEL0_H		Read/write	Byte	00h	
0Ch	PJSEL1	Port J Select 1	Read/write	Word	0000h	
0Ch	PJSEL1_L		Read/write	Byte	00h	
0Dh	PJSEL1_H		Read/write	Byte	00h	
16h	PJSELC	Port J Complement Select	Read/write	Word	0000h	
16h	PJSELC_L		Read/write	Byte	00h	
17h	PJSELC_H		Read/write	Byte	00h	

8.4.1 PxIV Register

Port x Interrupt Vector Register, x = 1 to 9 (see the device-specific data sheet to determine which ports support interrupts)

Figure 8-1. PxIV Register

15	14	13	12	11	10	9	8
PxIV							
r0	r0	r0	r0	r0	r0	r0	r0
7	6	5	4	3	2	1	0
PxIV							
r0	r0	r0	r-0	r-0	r-0	r-0	r0

Table 8-4. PxIV Register Description

Bit	Field	Type	Reset	Description
15-0	PxIV	R	0h	Port x interrupt vector value 00h = No interrupt pending 02h = Interrupt Source: Port x.0 interrupt; Interrupt Flag: PxIFG.0; Interrupt Priority: Highest 04h = Interrupt Source: Port x.1 interrupt; Interrupt Flag: PxIFG.1 06h = Interrupt Source: Port x.2 interrupt; Interrupt Flag: PxIFG.2 08h = Interrupt Source: Port x.3 interrupt; Interrupt Flag: PxIFG.3 0Ah = Interrupt Source: Port x.4 interrupt; Interrupt Flag: PxIFG.4 0Ch = Interrupt Source: Port x.5 interrupt; Interrupt Flag: PxIFG.5 0Eh = Interrupt Source: Port x.6 interrupt; Interrupt Flag: PxIFG.6 10h = Interrupt Source: Port x.7 interrupt; Interrupt Flag: PxIFG.7; Interrupt Priority: Lowest

8.4.2 PxIN Register

Port x Input Register

Figure 8-2. PxIN Register

7	6	5	4	3	2	1	0
PxIN							
r	r	r	r	r	r	r	r

Table 8-5. PxIN Register Description

Bit	Field	Type	Reset	Description
7-0	PxIN	R	Undefined	Port x input 0b = Input is low 1b = Input is high

8.4.3 PxOUT Register

Port x Output Register

Figure 8-3. PxOUT Register

7	6	5	4	3	2	1	0
PxOUT							
rw	rw	rw	rw	rw	rw	rw	rw

Table 8-6. PxOUT Register Description

Bit	Field	Type	Reset	Description
7-0	PxOUT	RW	Undefined	Port x output When I/O configured to output mode: 0b = Output is low. 1b = Output is high. When I/O configured to input mode and pullups/pulldowns enabled: 0b = Pulldown selected 1b = Pullup selected

8.4.4 PxDIR Register

Port x Direction Register

Figure 8-4. PxDIR Register

7	6	5	4	3	2	1	0
PxDIR							
rw-0	rw-0	rw-0	rw-0	rw-0	rw-0	rw-0	rw-0

Table 8-7. P1DIR Register Description

Bit	Field	Type	Reset	Description
7-0	PxDIR	RW	0h	Port x direction 0b = Port configured as input 1b = Port configured as output

8.4.5 PxREN Register

Port x Pullup or Pulldown Resistor Enable Register

Figure 8-5. PxREN Register

7	6	5	4	3	2	1	0
PxREN							
rw-0	rw-0	rw-0	rw-0	rw-0	rw-0	rw-0	rw-0

Table 8-8. PxREN Register Description

Bit	Field	Type	Reset	Description
7-0	PxREN	RW	0h	Port x pullup or pulldown resistor enable. When the port is configured as an input, setting this bit enables or disables the pullup or pulldown. 0b = Pullup or pulldown disabled 1b = Pullup or pulldown enabled

8.4.6 PxSEL0 Register

Port x Function Selection Register 0

Figure 8-6. PxSEL0 Register

7	6	5	4	3	2	1	0
PxSEL0							
rw-0	rw-0	rw-0	rw-0	rw-0	rw-0	rw-0	rw-0

Table 8-9. PxSEL0 Register Description

Bit	Field	Type	Reset	Description
7-0	PxSEL0	RW	0h	Port function selection. Each bit corresponds to one channel on Port x. The values of each bit position in PxSEL1 and PxSEL0 are combined to specify the function. For example, if P1SEL1.5 = 1 and P1SEL0.5 = 0, then the secondary module function is selected for P1.5. See PxSEL1 for the definition of each value.

8.4.7 PxSEL1 Register

Port x Function Selection Register 1

Figure 8-7. PxSEL1 Register

7	6	5	4	3	2	1	0
PxSEL1							
rw-0	rw-0	rw-0	rw-0	rw-0	rw-0	rw-0	rw-0

Table 8-10. PxSEL1 Register Description

Bit	Field	Type	Reset	Description
7-0	PxSEL1	RW	0h	Port function selection. Each bit corresponds to one channel on Port x. The values of each bit position in PxSEL1 and PxSEL0 are combined to specify the function. For example, if P1SEL1.5 = 1 and P1SEL0.5 = 0, then the secondary module function is selected for P1.5. 00b = General-purpose I/O is selected 01b = Primary module function is selected 10b = Secondary module function is selected 11b = Tertiary module function is selected

8.4.8 PxSELC Register

Port x Complement Selection

Figure 8-8. PxSELC Register

7	6	5	4	3	2	1	0
PxSELC							
rw-0	rw-0	rw-0	rw-0	rw-0	rw-0	rw-0	rw-0

Table 8-11. PxSELC Register Description

Bit	Field	Type	Reset	Description
7-0	PxSELC	RW	0h	Port selection complement. Each bit that is set in PxSELC complements the corresponding respective bit of both the PxSEL1 and PxSEL0 registers; that is, for each bit set in PxSELC, the corresponding bits in both PxSEL1 and PxSEL0 are both changed at the same time. Always reads as 0.

8.4.9 PxIES Register

Port x Interrupt Edge Select Register

Figure 8-9. PxIES Register

7	6	5	4	3	2	1	0
PxIES							
rw	rw	rw	rw	rw	rw	rw	rw

Table 8-12. PxIES Register Description

Bit	Field	Type	Reset	Description
7-0	PxIES	RW	Undefined	Port x interrupt edge select 0b = PxIFG flag is set with a low-to-high transition 1b = PxIFG flag is set with a high-to-low transition

8.4.10 PxIE Register

Port x Interrupt Enable Register

Figure 8-10. PxIE Register

7	6	5	4	3	2	1	0
PxIE							
rw-0	rw-0	rw-0	rw-0	rw-0	rw-0	rw-0	rw-0

Table 8-13. PxIE Register Description

Bit	Field	Type	Reset	Description
7-0	PxIE	RW	0h	Port x interrupt enable 0b = Corresponding port interrupt disabled 1b = Corresponding port interrupt enabled

8.4.11 PxIFG Register

Port x Interrupt Flag Register

Figure 8-11. PxIFG Register

7	6	5	4	3	2	1	0
PxIFG							
rw-0	rw-0	rw-0	rw-0	rw-0	rw-0	rw-0	rw-0

Table 8-14. PxIFG Register Description

Bit	Field	Type	Reset	Description
7-0	PxIFG	RW	Undefined	Port x interrupt flag 0b = No interrupt is pending. 1b = Interrupt is pending.

CRC Module

The cyclic redundancy check (CRC) module provides a signature for a given data sequence. This chapter describes the operation and use of the CRC module.

Topic	Page
9.1 Cyclic Redundancy Check (CRC) Module Introduction	319
9.2 CRC Standard and Bit Order	319
9.3 CRC Checksum Generation	320
9.4 CRC Registers.....	323

9.1 Cyclic Redundancy Check (CRC) Module Introduction

The CRC module produces a signature for a given sequence of data values. The signature is generated through a feedback path from data bits 0, 4, 11, and 15 (see Figure 9-1). The CRC signature is based on the polynomial given in the CRC-CCITT-BR polynomial (see Equation 10).

$$f(x) = x^{16} + x^{12} + x^5 + 1 \tag{10}$$

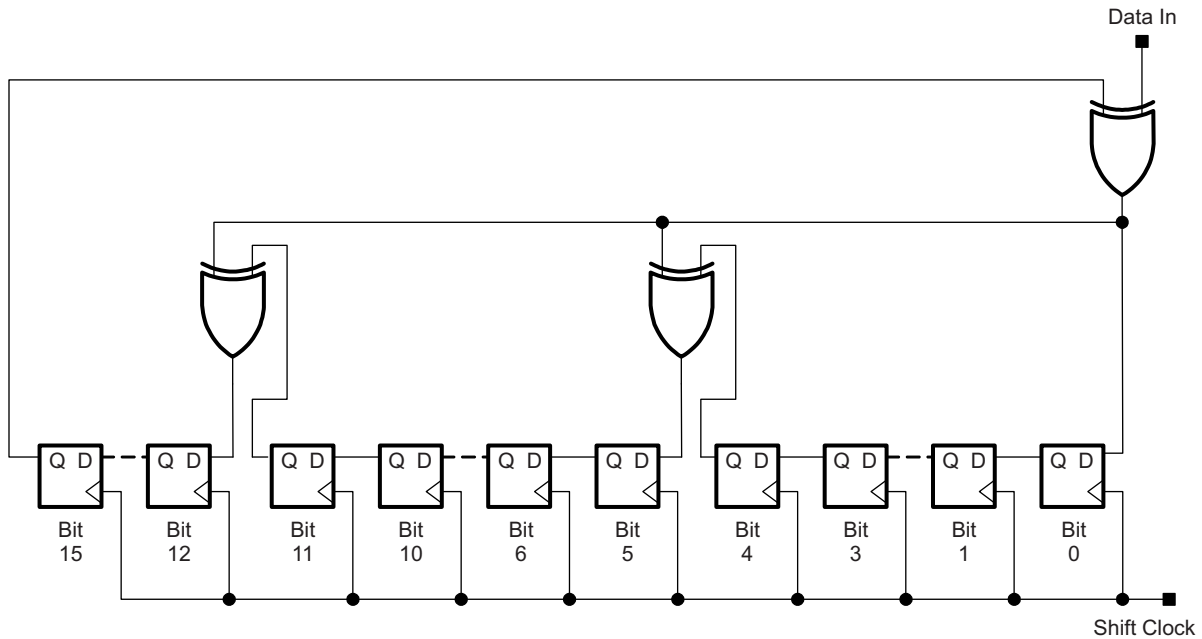


Figure 9-1. LFSR Implementation of CRC-CCITT Standard, Bit 0 is the MSB of the Result

Identical input data sequences result in identical signatures when the CRC is initialized with a fixed seed value, whereas different sequences of input data, in general, result in different signatures.

9.2 CRC Standard and Bit Order

The definitions of the various CRC standards were done in the era of main frame computers, and by convention bit 0 was treated as the MSB. Today, as in most microcontrollers such as the MSP430, bit 0 normally denotes the LSB. In Figure 9-1, the bit convention shown is as given in the original standards (bit 0 is the MSB). The fact that bit 0 is treated for some as LSB, and for others as MSB, continues to cause confusion. The CRC16 module therefore provides a bit reversed register pair for CRC16 operations to support both conventions.

9.3 CRC Checksum Generation

The CRC generator is first initialized by writing a 16-bit word (seed) to the CRC Initialization and Result (CRCINIRES) register. Any data that should be included into the CRC calculation must be written to the CRC Data Input (CRCDI or CRCDIRB) register in the same order that the original CRC signature was calculated. The actual signature can be read from the CRCINIRES register to compare the computed checksum with the expected checksum.

Signature generation describes a method of how the result of a signature operation can be calculated. The calculated signature, which is computed by an external tool, is called checksum in the following text. The checksum is stored in the product's memory and is used to check the correctness of the CRC operation result.

9.3.1 CRC Implementation

To allow parallel processing of the CRC, the linear feedback shift register (LFSR) functionality is implemented with an XOR tree. This implementation shows the identical behavior as the LFSR approach after 8 bits of data are shifted in when the LSB is 'shifted' in first. The generation of a signature calculation has to be started by writing a seed to the CRCINIRES register to initialize the register. Software or hardware (for example, the DMA) can transfer data to the CRCDI or CRCDIRB register (for example, from memory). The value in CRCDI or CRCDIRB is then included into the signature, and the result is available in the signature result registers at the next read access (CRCINIRES and CRCRESR). The signature can be generated using word or byte data.

If a word data is processed, the lower byte at the even address is used at the first clock (MCLK) cycle. During the second clock cycle, the higher byte is processed. Thus, it takes two clock cycles to process word data, while it takes only one clock (MCLK) cycle to process byte data.

Data bytes written to CRCDIRB in word mode or the data byte in byte mode are bit-wise reversed before the CRC engine adds them to the signature. The bits among each byte are reversed. Data bytes written to CRCDI in word mode or the data byte in byte mode are not bit reversed before use by the CRC engine.

If the checksum itself (with reversed bit order) is included into the CRC operation (as data written to CRCDI or CRCDIRB), the result in the CRCINIRES and CRCRESR registers must be zero.

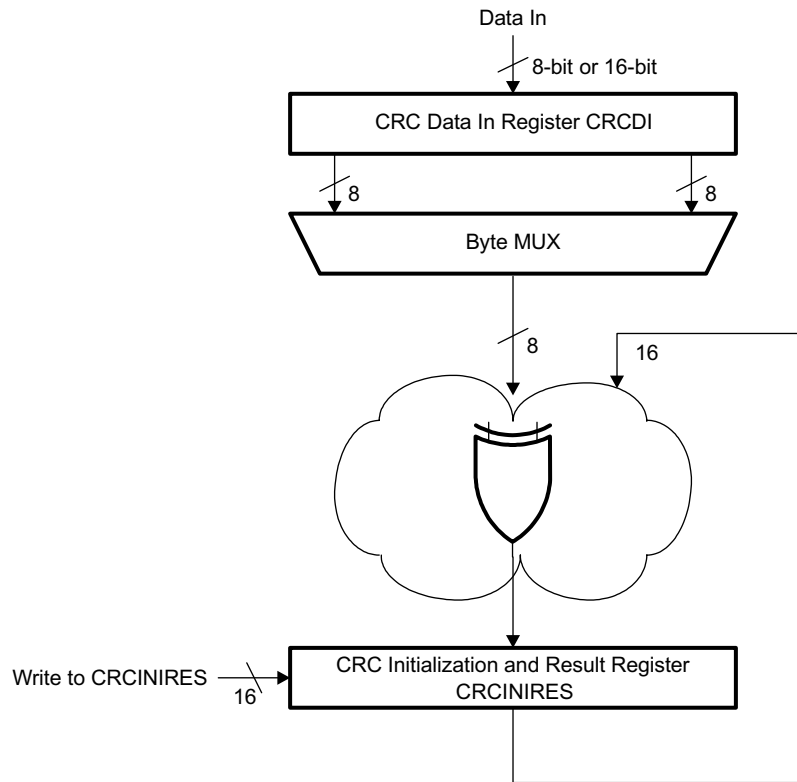


Figure 9-2. Implementation of CRC-CCITT Using the CRCDI and CRCINIRES Registers

9.3.2 Assembler Examples

Example 9-1 demonstrates the operation of the on-chip CRC.

Example 9-1. General Assembler Example

```

...
PUSH  R4           ; Save registers
PUSH  R5
MOV   #StartAddress,R4 ; StartAddress < EndAddress
MOV   #EndAddress,R5
MOV   &INIT, &CRCINIRES ; INIT to CRCINIRES
L1 MOV @R4+, &CRCDI    ; Item to Data In register
CMP   R5,R4        ; End address reached?
JLO  L1           ; No
MOV   &Check_Sum,&CRCDI ; Yes, Include checksum
TST  &CRCINIRES    ; Result = 0?
JNZ  CRC_ERROR    ; No, CRCRES <> 0: error
...              ; Yes, CRCRES=0:
                ; information ok.
POP   R5           ; Restore registers
POP   R4

```

The details of the implemented CRC algorithm are shown by the data sequences in Example 9-2 using word or byte accesses and the CRC data-in as well as the CRC data-in reverse byte registers.

Example 9-2. Reference Data Sequence

```

...
mov    #0FFFFh,&CRCINIRES ; initialize CRC
mov.b  #00031h,&CRCDI_L   ; "1"
mov.b  #00032h,&CRCDI_L   ; "2"
mov.b  #00033h,&CRCDI_L   ; "3"
mov.b  #00034h,&CRCDI_L   ; "4"
mov.b  #00035h,&CRCDI_L   ; "5"
mov.b  #00036h,&CRCDI_L   ; "6"
mov.b  #00037h,&CRCDI_L   ; "7"
mov.b  #00038h,&CRCDI_L   ; "8"
mov.b  #00039h,&CRCDI_L   ; "9"

cmp    #089F6h,&CRCINIRES ; compare result
                                ; CRCRESR contains 06F91h
jeq    &Success            ; no error
br     &Error              ; to error handler

mov    #0FFFFh,&CRCINIRES ; initialize CRC
mov.w  #03231h,&CRCDI      ; "1" & "2"
mov.w  #03433h,&CRCDI      ; "3" & "4"
mov.w  #03635h,&CRCDI      ; "5" & "6"
mov.w  #03837h,&CRCDI      ; "7" & "8"
mov.b  #039h, &CRCDI_L     ; "9"

cmp    #089F6h,&CRCINIRES ; compare result
                                ; CRCRESR contains 06F91h
jeq    &Success            ; no error
br     &Error              ; to error handler

...
mov    #0FFFFh,&CRCINIRES ; initialize CRC
mov.b  #00031h,&CRCDIRB_L  ; "1"
mov.b  #00032h,&CRCDIRB_L  ; "2"
mov.b  #00033h,&CRCDIRB_L  ; "3"
mov.b  #00034h,&CRCDIRB_L  ; "4"
mov.b  #00035h,&CRCDIRB_L  ; "5"
mov.b  #00036h,&CRCDIRB_L  ; "6"
mov.b  #00037h,&CRCDIRB_L  ; "7"
mov.b  #00038h,&CRCDIRB_L  ; "8"
mov.b  #00039h,&CRCDIRB_L  ; "9"

cmp    #029B1h,&CRCINIRES ; compare result
                                ; CRCRESR contains 08D94h
jeq    &Success            ; no error
br     &Error              ; to error handler

...
mov    #0FFFFh,&CRCINIRES ; initialize CRC
mov.w  #03231h,&CRCDIRB    ; "1" & "2"
mov.w  #03433h,&CRCDIRB    ; "3" & "4"
mov.w  #03635h,&CRCDIRB    ; "5" & "6"
mov.w  #03837h,&CRCDIRB    ; "7" & "8"
mov.b  #039h, &CRCDIRB_L  ; "9"

cmp    #029B1h,&CRCINIRES ; compare result
                                ; CRCRESR contains 08D94h
jeq    &Success            ; no error
br     &Error              ; to error handler

```

9.4 CRC Registers

The CRC module registers are listed in [Table 9-1](#). The base address can be found in the device-specific data sheet. The address offset is given in [Table 9-1](#).

NOTE: All registers have word or byte register access. For a generic register *ANYREG*, the suffix "_L" (*ANYREG_L*) refers to the lower byte of the register (bits 0 through 7). The suffix "_H" (*ANYREG_H*) refers to the upper byte of the register (bits 8 through 15).

Table 9-1. CRC Registers

Offset	Acronym	Register Name	Type	Access	Reset	Section
00h	CRCDI	CRC Data In	Read/write	Word	0000h	Section 9.4.1
00h	CRCDI_L		Read/write	Byte	00h	
01h	CRCDI_H		Read/write	Byte	00h	
02h	CRCDIRB	CRC Data In Reverse Byte	Read/write	Word	0000h	Section 9.4.2
02h	CRCDIRB_L		Read/write	Byte	00h	
03h	CRCDIRB_H		Read/write	Byte	00h	
04h	CRCINIRES	CRC Initialization and Result	Read/write	Word	FFFFh	Section 9.4.3
04h	CRCINIRES_L		Read/write	Byte	FFh	
05h	CRCINIRES_H		Read/write	Byte	FFh	
06h	CRCRESR	CRC Result Reverse	Read only	Word	FFFFh	Section 9.4.4
06h	CRCRESR_L		Read/write	Byte	FFh	
07h	CRCRESR_H		Read/write	Byte	FFh	

9.4.1 CRCDI Register

CRC Data In Register

Figure 9-3. CRCDI Register

15	14	13	12	11	10	9	8
CRCDI							
rw-0	rw-0	rw-0	rw-0	rw-0	rw-0	rw-0	rw-0
7	6	5	4	3	2	1	0
CRCDI							
rw-0	rw-0	rw-0	rw-0	rw-0	rw-0	rw-0	rw-0

Table 9-2. CRCDI Register Description

Bit	Field	Type	Reset	Description
15-0	CRCDI	RW	0h	CRC data in. Data written to the CRCDI register is included to the present signature in the CRCNIREs register according to the CRC-CCITT standard.

9.4.2 CRCDIRB Register

CRC Data In Reverse Register

Figure 9-4. CRCDIRB Register

15	14	13	12	11	10	9	8
CRCDIRB							
rw-0	rw-0	rw-0	rw-0	rw-0	rw-0	rw-0	rw-0
7	6	5	4	3	2	1	0
CRCDIRB							
rw-0	rw-0	rw-0	rw-0	rw-0	rw-0	rw-0	rw-0

Table 9-3. CRCDIRB Register Description

Bit	Field	Type	Reset	Description
15-0	CRCDIRB	RW	0h	CRC data in reverse byte. Data written to the CRCDIRB register is included to the present signature in the CRCNIREs and CRCRESR registers according to the CRC-CCITT standard. Reading the register returns the register CRCDI content.

9.4.3 CRCINIRES Register

CRC Initialization and Result Register

Figure 9-5. CRCINIRES Register

15	14	13	12	11	10	9	8
CRCINIRES							
rw-1	rw-1	rw-1	rw-1	rw-1	rw-1	rw-1	rw-1
7	6	5	4	3	2	1	0
CRCINIRES							
rw-1	rw-1	rw-1	rw-1	rw-1	rw-1	rw-1	rw-1

Table 9-4. CRCINIRES Register Description

Bit	Field	Type	Reset	Description
15-0	CRCINIRES	RW	FFFFh	CRC initialization and result. This register holds the current CRC result (according to the CRC-CCITT standard). Writing to this register initializes the CRC calculation with the value written to it. The value just written can be read from CRCINIRES register.

9.4.4 CRCRESR Register

CRC Reverse Result Register

Figure 9-6. CRCRESR Register

15	14	13	12	11	10	9	8
CRCRESR							
r-1	r-1	r-1	r-1	r-1	r-1	r-1	r-1
7	6	5	4	3	2	1	0
CRCRESR							
r-1	r-1	r-1	r-1	r-1	r-1	r-1	r-1

Table 9-5. CRCRESR Register Description

Bit	Field	Type	Reset	Description
15-0	CRCRESR	R	FFFFh	CRC reverse result. This register holds the current CRC result (according to the CRC-CCITT standard). The order of bits is reverse (for example, CRCINIRES[15] = CRCRESR[0]) to the order of bits in the CRCINIRES register (see example code).

Watchdog Timer (WDT_A)

The watchdog timer is a 32-bit timer that can be used as a watchdog or as an interval timer. This chapter describes the watchdog timer. The enhanced watchdog timer, WDT_A, is implemented in all devices.

Topic	Page
10.1 WDT_A Introduction.....	327
10.2 WDT_A Operation	329
10.3 WDT_A Registers	331

10.1 WDT_A Introduction

The primary function of the watchdog timer (WDT_A) module is to perform a controlled system restart after a software problem occurs. If the selected time interval expires, a system reset is generated. If the watchdog function is not needed in an application, the module can be configured as an interval timer and can generate interrupts at selected time intervals.

Features of the watchdog timer module include:

- Eight software-selectable time intervals
- Watchdog mode
- Interval mode
- Password-protected access to Watchdog Timer Control (WDTCTL) register
- Selectable clock source
- Can be stopped to conserve power
- Clock fail-safe feature

The watchdog timer block diagram is shown in [Figure 10-1](#).

NOTE: Watchdog timer powers up active.

After a PUC, the WDT_A module is automatically configured in the watchdog mode with an initial approximately 32-ms reset interval using the SMCLK. The user must set up or halt the WDT_A before the initial reset interval expires.

10.2 WDT_A Operation

The watchdog timer module can be configured as either a watchdog or interval timer with the WDTCTL register. WDTCTL is a 16-bit password-protected read/write register. Any read or write access must use word instructions, and write accesses must include the write password 05Ah in the upper byte. A write to WDTCTL with any value other than 05Ah in the upper byte is a password violation and causes a PUC system reset, regardless of timer mode. Any read of WDTCTL reads 069h in the upper byte. Byte reads on WDTCTL high or low part result in the value of the low byte. Writing byte wide to upper or lower parts of WDTCTL results in a PUC.

10.2.1 Watchdog Timer Counter (WDTCNT)

The WDTCNT is a 32-bit up counter that is not directly accessible by software. The WDTCNT is controlled and its time intervals are selected through the Watchdog Timer Control (WDTCTL) register. The WDTCNT can be sourced from SMCLK, ACLK, VLOCLK, and X_CLK on some devices. The clock source is selected with the WDTSSSEL bits. The timer interval is selected with the WDTIS bits.

10.2.2 Watchdog Mode

After a PUC condition, the WDT module is configured in the watchdog mode with an initial 32-ms (approximate) reset interval using the SMCLK. The user must set up, halt, or clear the watchdog timer before this initial reset interval expires, or another PUC is generated. When the watchdog timer is configured to operate in watchdog mode, either writing to WDTCTL with an incorrect password or expiration of the selected time interval triggers a PUC. A PUC resets the watchdog timer to its default condition.

10.2.3 Interval Timer Mode

Setting the WDTTMSSEL bit to 1 selects the interval timer mode. This mode can be used to provide periodic interrupts. In interval timer mode, the WDTIFG flag is set at the expiration of the selected time interval. A PUC is not generated in interval timer mode at expiration of the selected timer interval, and the WDTIFG enable bit WDTIE remains unchanged.

When the WDTIE bit and the GIE bit are set, the WDTIFG flag requests an interrupt. The WDTIFG interrupt flag is automatically reset when its interrupt request is serviced, or may be reset by software. The interrupt vector address in interval timer mode is different from that in watchdog mode.

NOTE: Modifying the watchdog timer

The watchdog timer interval should be changed together with WDTCNTCL = 1 in a single instruction to avoid an unexpected immediate PUC or interrupt. The watchdog timer should be halted before changing the clock source to avoid a possible incorrect interval.

10.2.4 Watchdog Timer Interrupts

The watchdog timer uses two bits in the SFRs for interrupt control:

- WDT interrupt flag, WDTIFG, located in SFRIFG1.0
- WDT interrupt enable, WDTIE, located in SFRIE1.0

When using the watchdog timer in the watchdog mode, the WDTIFG flag sources a reset vector interrupt. The WDTIFG can be used by the reset interrupt service routine to determine if the watchdog caused the device to reset. If the flag is set, the watchdog timer initiated the reset condition, either by timing out or by a password violation. If WDTIFG is cleared, the reset was caused by a different source.

When using the watchdog timer in interval timer mode, the WDTIFG flag is set after the selected time interval and requests a watchdog timer interval timer interrupt if the WDTIE and the GIE bits are set. The interval timer interrupt vector is different from the reset vector used in watchdog mode. In interval timer mode, the WDTIFG flag is reset automatically when the interrupt is serviced, or can be reset with software.

10.2.5 Fail-Safe Features

The WDT_A provides a fail-safe clocking feature, ensuring the clock to the WDT_A cannot be disabled while in watchdog mode. This means the low-power modes may be affected by the choice for the WDT_A clock.

In watchdog mode the WDT_A prevents LPMx.5 because in LPMx.5 the WDT_A cannot operate.

If SMCLK or ACLK fails as the WDT_A clock source, VLOCLK is automatically selected as the WDT_A clock source.

When the WDT_A module is used in interval timer mode, there are no fail-safe features.

10.2.6 Operation in Low-Power Modes

The devices have several low-power modes. Different clock signals are available in different low-power modes. The requirements of the application and the type of clocking that is used determine how the WDT_A should be configured. For example, the WDT_A should not be configured in watchdog mode with a clock source that is originally sourced from DCO, XT1 in high-frequency mode, or XT2 sourcing SMCLK or ACLK if the user wants to use low-power mode 3. In this case, SMCLK or ACLK would remain enabled, increasing the current consumption of LPM3. When the watchdog timer is not required, the WDTHOLD bit can be used to hold the WDTCNT, reducing power consumption.

Any write operation to WDTCTL must be a word operation with 05Ah (WDTPW) in the upper byte (see [Example 10-1](#)).

Example 10-1. Writes to WDTCTL

```

; Periodically clear an active watchdog
MOV #WDTPW+WDTIS2+WDTIS1+WDTCNTCL,&WDTCTL
;
; Change watchdog timer interval
MOV #WDTPW+WDTCNTCL+SSEL,&WDTCTL
;
; Stop the watchdog
MOV #WDTPW+WDTHOLD,&WDTCTL
;
; Change WDT to interval timer mode, clock/8192 interval
MOV #WDTPW+WDTCNTCL+WDTTMSSEL+WDTIS2+WDTIS0,&WDTCTL

```

10.3 WDT_A Registers

The watchdog timer module registers are listed in [Table 10-1](#). The base address for the watchdog timer module registers and special function registers (SFRs) can be found in the device-specific data sheets. The address offset is given in [Table 10-1](#).

Table 10-1. WDT_A Registers

Offset	Acronym	Register Name	Type	Access	Reset	Section
0Ch	WDTCTL	Watchdog Timer Control	Read/write	Word	6904h	Section 10.3.1

10.3.1 WDTCTL Register

Watchdog Timer Control Register

Figure 10-2. WDTCTL Register

15	14	13	12	11	10	9	8
WDTPW							
rw	rw	rw	rw	rw	rw	rw	rw
7	6	5	4	3	2	1	0
WDTHOLD	WDTSSSEL		WDTTMSSEL	WDCNTCL	WDTIS		
rw-0	rw-0	rw-0	rw-0	r0(w)	rw-1	rw-0	rw-0

Table 10-2. WDTCTL Register Description

Bit	Field	Type	Reset	Description
15-8	WDTPW	RW	69h	Watchdog timer password. Always read as 069h. Must be written as 05Ah, or a PUC is generated.
7	WDTHOLD	RW	0h	Watchdog timer hold. This bit stops the watchdog timer. Setting WDTHOLD = 1 when the WDT is not in use conserves power. 0b = Watchdog timer is not stopped 1b = Watchdog timer is stopped
6-5	WDTSSSEL	RW	0h	Watchdog timer clock source select 00b = SMCLK 01b = ACLK 10b = VLOCLK 11b = X_CLK, same as VLOCLK if not defined differently in data sheet
4	WDTTMSSEL	RW	0h	Watchdog timer mode select 0b = Watchdog mode 1b = Interval timer mode
3	WDCNTCL	RW	0h	Watchdog timer counter clear. Setting WDCNTCL = 1 clears the count value to 0000h. WDCNTCL is automatically reset. 0b = No action 1b = WDCNT = 0000h
2-0	WDTIS	RW	4h	Watchdog timer interval select. These bits select the watchdog timer interval to set the WDTIFG flag or generate a PUC. 000b = Watchdog clock source / 2 ³¹ (18:12:16 at 32.768 kHz) 001b = Watchdog clock source / 2 ²⁷ (01:08:16 at 32.768 kHz) 010b = Watchdog clock source / 2 ²³ (00:04:16 at 32.768 kHz) 011b = Watchdog clock source / 2 ¹⁹ (00:00:16 at 32.768 kHz) 100b = Watchdog clock source / 2 ¹⁵ (1 s at 32.768 kHz) 101b = Watchdog clock source / 2 ¹³ (250 ms at 32.768 kHz) 110b = Watchdog clock source / 2 ⁹ (15.625 ms at 32.768 kHz) 111b = Watchdog clock source / 2 ⁶ (1.95 ms at 32.768 kHz)

Timer_A

Timer_A is a 16-bit timer and counter with multiple capture/compare registers. There can be multiple Timer_A modules on a given device (see the device-specific data sheet). This chapter describes the operation and use of the Timer_A module.

Topic	Page
11.1 Timer_A Introduction	334
11.2 Timer_A Operation.....	336
11.3 Timer_A Registers	348

11.1 Timer_A Introduction

Timer_A is a 16-bit timer/counter with up to seven capture/compare registers. Timer_A can support multiple capture/compares, PWM outputs, and interval timing. Timer_A also has extensive interrupt capabilities. Interrupts may be generated from the counter on overflow conditions and from each of the capture/compare registers.

Timer_A features include:

- Asynchronous 16-bit timer/counter with four operating modes
- Selectable and configurable clock source
- Up to seven configurable capture/compare registers
- Configurable outputs with pulse width modulation (PWM) capability
- Asynchronous input and output latching
- Interrupt vector register for fast decoding of all Timer_A interrupts

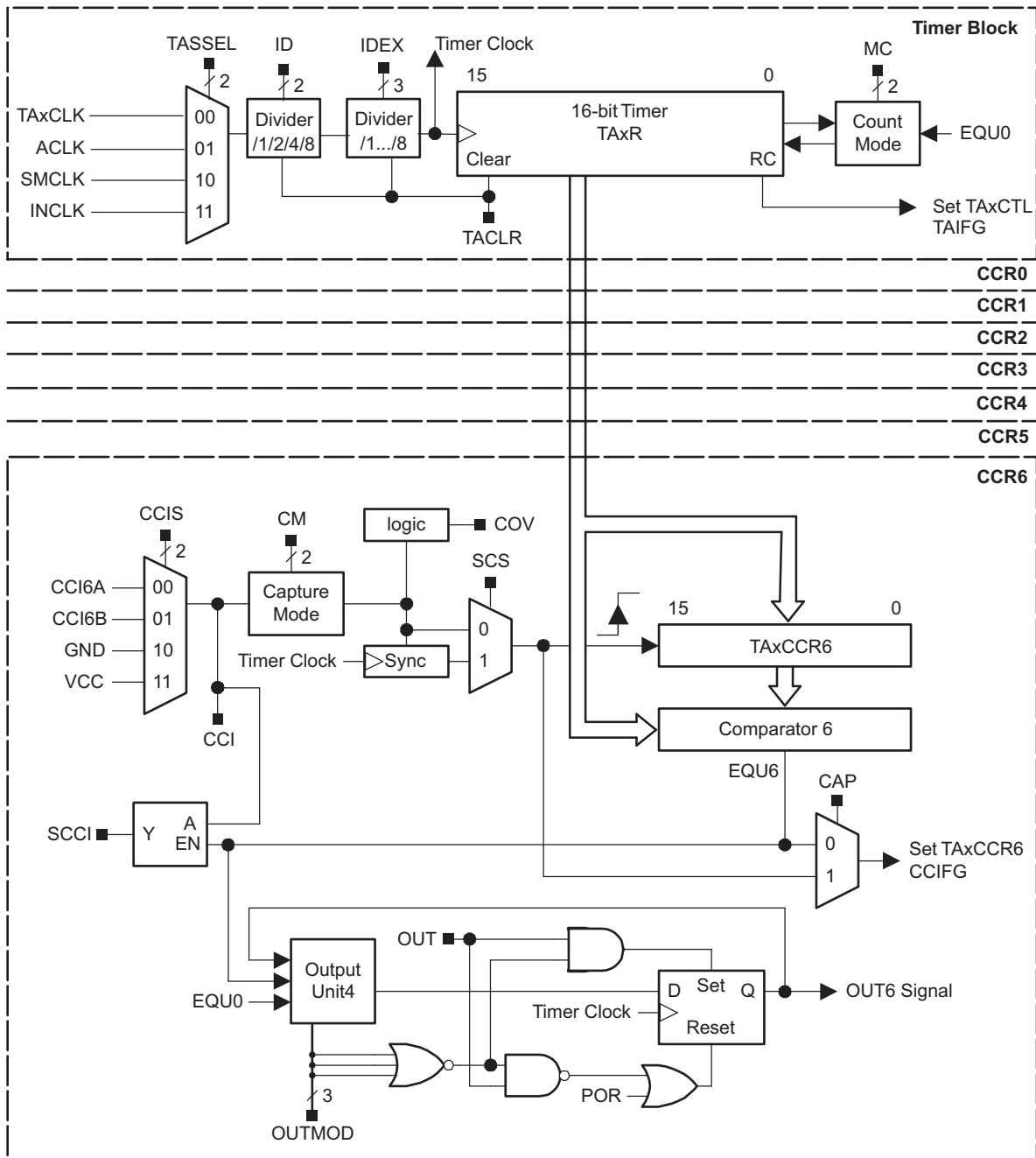
The block diagram of Timer_A is shown in [Figure 11-1](#).

NOTE: Use of the word *count*

Count is used throughout this chapter. It means the counter must be in the process of counting for the action to take place. If a particular value is directly written to the counter, an associated action does not take place.

NOTE: Nomenclature

There may be multiple instantiations of Timer_A on a given device. The prefix TAx is used, where x is a greater than equal to zero indicating the Timer_A instantiation. For devices with one instantiation, x = 0. The suffix n, where n = 0 to 6, represents the specific capture/compare registers associated with the Timer_A instantiation.



Copyright © 2016, Texas Instruments Incorporated

Figure 11-1. Timer_A Block Diagram

11.2 Timer_A Operation

The Timer_A module is configured with user software. The setup and operation of Timer_A are discussed in the following sections.

11.2.1 16-Bit Timer Counter

The 16-bit timer/counter register, [TAxR](#), increments or decrements (depending on mode of operation) with each rising edge of the clock signal. TAxR can be read or written with software. Additionally, the timer can generate an interrupt when it overflows.

TAR may be cleared by setting the TACLRL bit. Setting TACLRL also clears the clock divider counter logic (the divider setting remains unchanged) and count direction for up/down mode.

NOTE: Modifying Timer_A registers

TI recommends stopping the timer before modifying its operation (with exception of the interrupt enable, interrupt flag, and TACLRL) to avoid errant operating conditions.

When the timer clock is asynchronous to the CPU clock, any read from [TAxR](#) should occur while the timer is not operating or the results may be unpredictable. Alternatively, the timer may be read multiple times while operating, and a majority vote taken in software to determine the correct reading. Any write to TAxR takes effect immediately.

11.2.1.1 Clock Source Select and Divider

The timer clock can be sourced from ACLK, SMCLK, or externally from TAxCLOCK or INCLK. The clock source is selected with the TASSSEL bits. The selected clock source may be passed directly to the timer or divided by 2, 4, or 8, using the ID bits. The selected clock source can be further divided by 2, 3, 4, 5, 6, 7, or 8 using the TAIDEX bits. The timer clock divider logic is reset when TACLRL is set.

NOTE: Timer_A dividers

After programming ID or TAIDEX bits, set the TACLRL bit. This clears the contents of [TAxR](#) and resets the clock divider logic to a defined state. The clock dividers are implemented as down counters. Therefore, when the TACLRL bit is cleared, the timer clock immediately begins clocking at the first rising edge of the Timer_A clock source selected with the TASSSEL bits and continues clocking at the divider settings set by the ID and TAIDEX bits.

11.2.2 Starting the Timer

The timer may be started or restarted in the following ways:

- The timer counts when $MC > \{ 0 \}$ and the clock source is active.
- When the timer mode is either up or up/down, the timer may be stopped by writing 0 to [TAxCCR0](#). The timer may then be restarted by writing a nonzero value to TAxCCR0. In this scenario, the timer starts incrementing in the up direction from zero.

11.2.3 Timer Mode Control

The timer has four modes of operation: stop, up, continuous, and up/down (see Table 11-1). The operating mode is selected with the MC bits.

Table 11-1. Timer Modes

MC	Mode	Description
00	Stop	The timer is halted.
01	Up	The timer repeatedly counts from zero to the value of TAxCCR0
10	Continuous	The timer repeatedly counts from zero to 0FFFFh.
11	Up/down	The timer repeatedly counts from zero up to the value of TAxCCR0 and back down to zero.

11.2.3.1 Up Mode

The up mode is used if the timer period must be different from 0FFFFh counts. The timer repeatedly counts up to the value of compare register TAxCCR0, which defines the period (see Figure 11-2). The number of timer counts in the period is TAxCCR0 + 1. When the timer value equals TAxCCR0, the timer restarts counting from zero. If up mode is selected when the timer value is greater than TAxCCR0, the timer immediately restarts counting from zero.

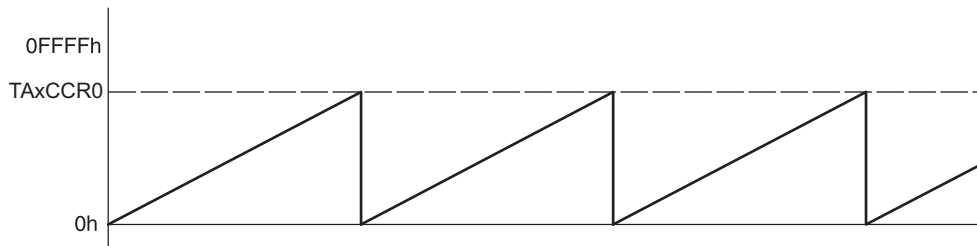


Figure 11-2. Up Mode

The TAxCCR0 CCIFG interrupt flag is set when the timer counts to the TAxCCR0 value. The TAIFG interrupt flag is set when the timer counts from TAxCCR0 to zero. Figure 11-3 shows the flag set cycle.

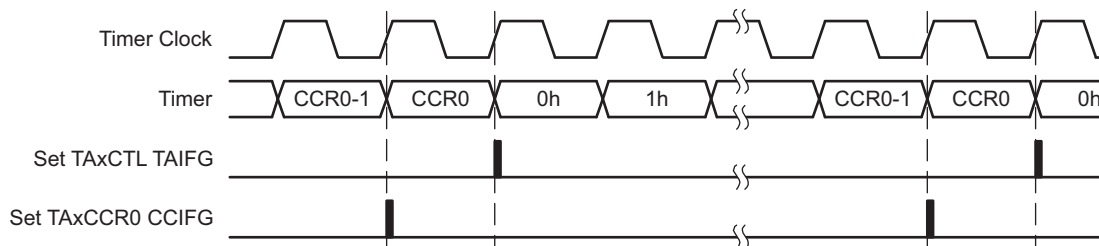


Figure 11-3. Up Mode Flag Setting

11.2.3.1.1 Changing Period Register TAxCCR0

When changing TAxCCR0 while the timer is running, if the new period is greater than or equal to the old period or greater than the current count value, the timer counts up to the new period. If the new period is less than the current count value, the timer rolls to zero. However, one additional count may occur before the counter rolls to zero.

11.2.3.2 Continuous Mode

In the continuous mode, the timer repeatedly counts up to 0FFFFh and restarts from zero as shown in Figure 11-4. The capture/compare register `TAxCCR0` works the same way as the other capture/compare registers.

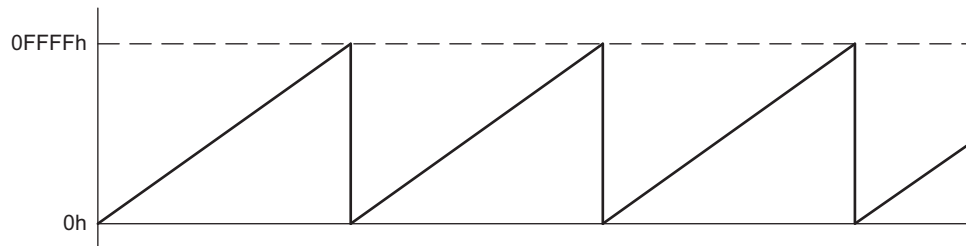


Figure 11-4. Continuous Mode

The `TAIFG` interrupt flag is set when the timer counts from 0FFFFh to zero. Figure 11-5 shows the flag set cycle.

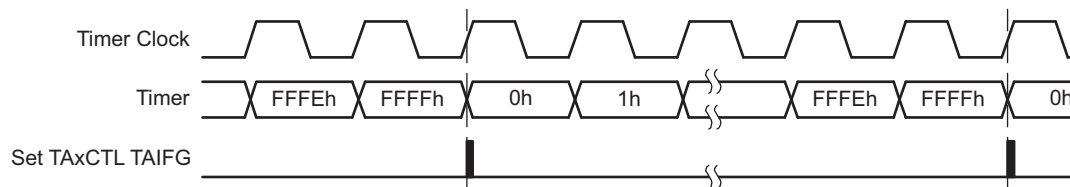


Figure 11-5. Continuous Mode Flag Setting

11.2.3.3 Use of Continuous Mode

The continuous mode can be used to generate independent time intervals and output frequencies. Each time an interval is completed, an interrupt is generated. The next time interval is added to the `TAxCCRn` register in the interrupt service routine. Figure 11-6 shows two separate time intervals, t_0 and t_1 , being added to the capture/compare registers. In this usage, the time interval is controlled by hardware, not software, without impact from interrupt latency. Up to n (where $n = 0$ to 6), independent time intervals or output frequencies can be generated using capture/compare registers.

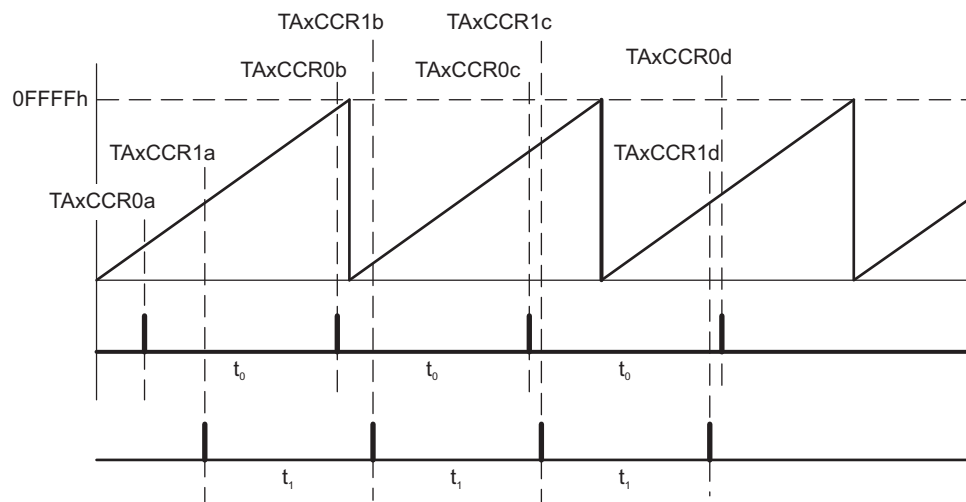


Figure 11-6. Continuous Mode Time Intervals

Time intervals can be produced with other modes as well, where **TAxCCR0** is used as the period register. Their handling is more complex since the sum of the old **TAxCCRn** data and the new period can be higher than the **TAxCCR0** value. When the previous **TAxCCRn** value plus t_x is greater than the **TAxCCR0** data, the **TAxCCR0** value must be subtracted to obtain the correct time interval.

11.2.3.4 Up/Down Mode

The up/down mode is used if the timer period must be different from 0FFFFh counts, and if symmetrical pulse generation is needed. The timer repeatedly counts up to the value of compare register **TAxCCR0** and back down to zero (see [Figure 11-7](#)). The period is twice the value in **TAxCCR0**.

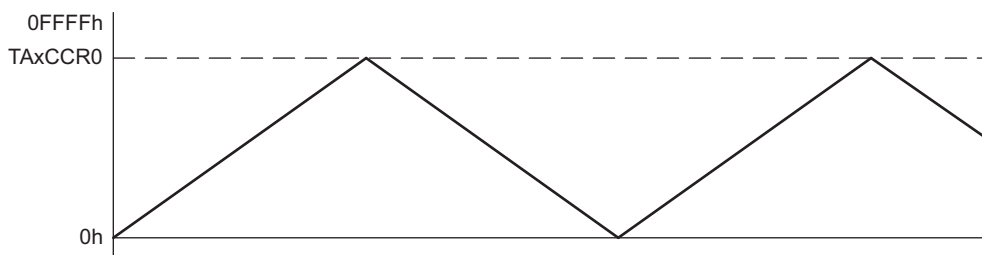


Figure 11-7. Up/Down Mode

The count direction is latched. This allows the timer to be stopped and then restarted in the same direction it was counting before it was stopped. If this is not desired, the **TACL** bit must be set to clear the direction. Setting **TACL** also clears the **TAR** value and the clock divider counter logic (the divider setting remains unchanged).

In up/down mode, the **TAxCCR0** **CCIFG** interrupt flag and the **TAIFG** interrupt flag are set only once during a period, separated by one-half the timer period. The **TAxCCR0** **CCIFG** interrupt flag is set when the timer counts from **TAxCCR0-1** to **TAxCCR0**, and **TAIFG** is set when the timer completes counting down from 0001h to 0000h. [Figure 11-8](#) shows the flag set cycle.

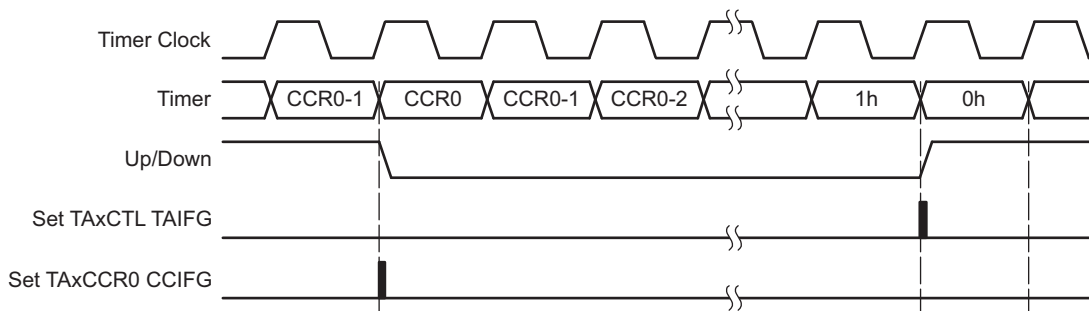


Figure 11-8. Up/Down Mode Flag Setting

11.2.3.4.1 Changing Period Register **TAxCCR0**

When changing **TAxCCR0** while the timer is running and counting in the down direction, the timer continues its descent until it reaches zero. The new period takes effect after the counter counts down to zero.

When the timer is counting in the up direction, and the new period is greater than or equal to the old period or greater than the current count value, the timer counts up to the new period before counting down.

When the timer is counting in the up direction and the new period is less than the current count value, the timer begins counting down. However, one additional count may occur before the counter begins counting down.

11.2.3.5 Use of Up/Down Mode

The up/down mode supports applications that require dead times between output signals (see [Section 11.2.5](#)). For example, to avoid overload conditions, two outputs driving an H-bridge must never be in a high state simultaneously. In the example shown in [Figure 11-9](#), the t_{dead} is:

$$t_{\text{dead}} = t_{\text{timer}} \times (\text{TAxCCR1} - \text{TAxCCR2})$$

Where:

t_{dead} = Time during which both outputs need to be inactive

t_{timer} = Cycle time of the timer clock

TAxCCRn = Content of capture/compare register n

The TAxCCRn registers are not buffered. They update immediately when written to. Therefore, any required dead time is not maintained automatically.

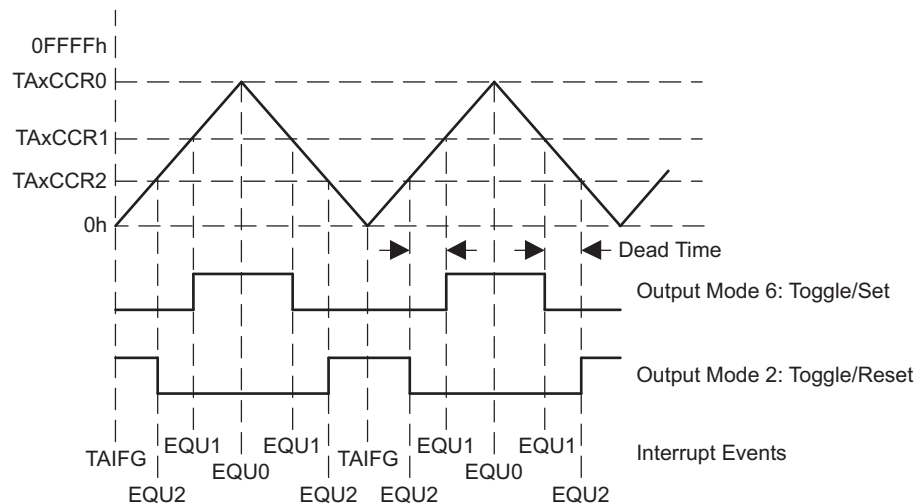


Figure 11-9. Output Unit in Up/Down Mode

11.2.4 Capture/Compare Blocks

Up to seven identical capture/compare blocks, TAxCCRn (where n = 0 to 7), are present in Timer_A. Any of the blocks may be used to capture the timer data or to generate time intervals.

11.2.4.1 Capture Mode

The capture mode is selected when CAP = 1. Capture mode is used to record time events. It can be used for speed computations or time measurements. The capture inputs CCIxA and CCIxB are connected to external pins or internal signals and are selected with the CCIS bits. The CM bits select the capture edge of the input signal as rising, falling, or both. A capture occurs on the selected edge of the input signal. If a capture occurs:

- The timer value is copied into the TAxCCRn register.
- The interrupt flag CCIFG is set.

The input signal level can be read at any time from the CCI bit. Devices may have different signals connected to CCIxA and CCIxB. See the device-specific data sheet for the connections of these signals.

The capture signal can be asynchronous to the timer clock and cause a race condition. Setting the SCS bit synchronizes the capture with the next timer clock. Setting the SCS bit to synchronize the capture signal with the timer clock is recommended (see [Figure 11-10](#)).

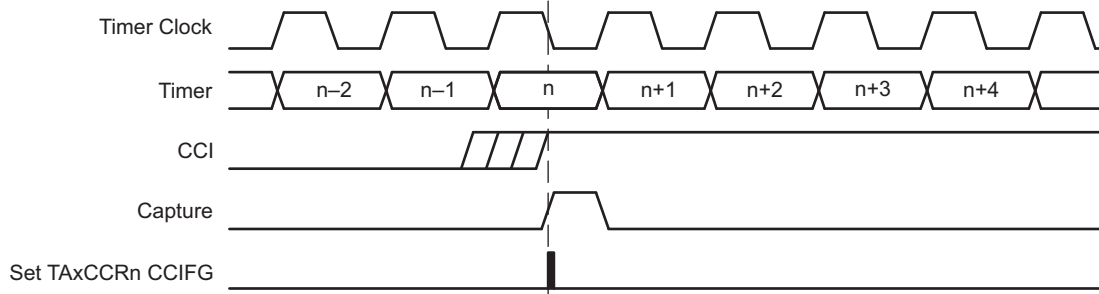


Figure 11-10. Capture Signal (SCS = 1)

NOTE: Changing Capture Inputs

Changing capture inputs while in capture mode may cause unintended capture events. To avoid this scenario, capture inputs should only be changed when capture mode is disabled (CM = {0} or CAP = 0).

Overflow logic is provided in each capture/compare register to indicate if a second capture was performed before the value from the first capture was read. Bit COV is set when this occurs as shown in Figure 11-11. COV must be reset with software.

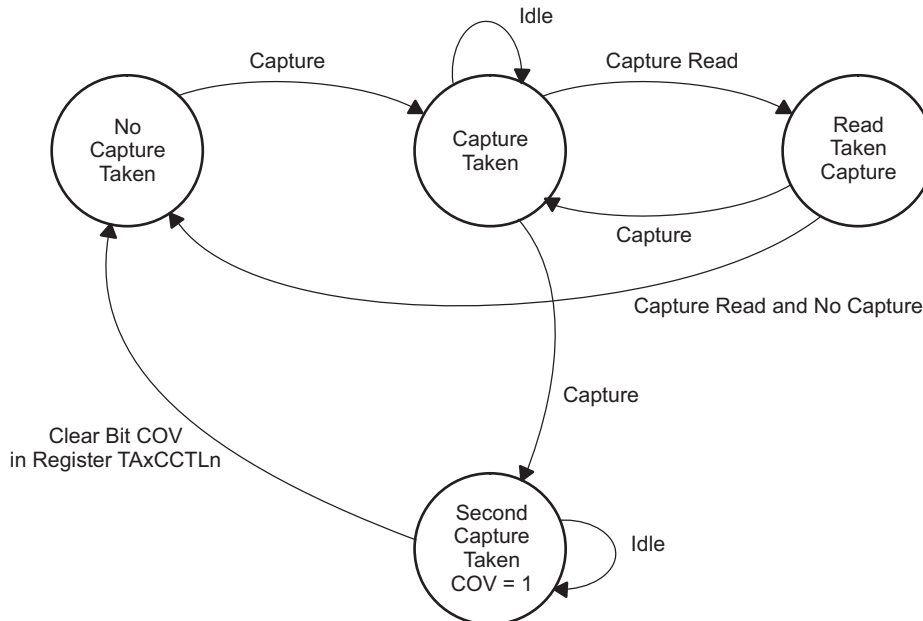


Figure 11-11. Capture Cycle

11.2.4.1.1 Capture Initiated by Software

Captures can be initiated by software. The CMx bits can be set for capture on both edges. Software then sets CCIS1 = 1 and toggles bit CCIS0 to switch the capture signal between V_{CC} and GND, initiating a capture each time CCIS0 changes state:

```
MOV  #CAP+SCS+CCIS1+CM_3,&TA0CCTL1 ; Setup TA0CCTL1, synch. capture mode
                                     ; Event trigger on both edges of capture input.
XOR  #CCIS0,&TA0CCTL1                ; TA0CCR1 = TA0R
```

NOTE: Capture Initiated by Software

In general, changing capture inputs while in capture mode may cause unintended capture events. For this scenario, switching the capture input between VCC and GND, disabling the capture mode is not required.

11.2.4.2 Compare Mode

The compare mode is selected when CAP = 0. The compare mode is used to generate PWM output signals or interrupts at specific time intervals. When **TAxR counts** to the value in a TAxCCRn, where n represents the specific capture/compare register.

- Interrupt flag CCIFG is set.
- Internal signal EQU_n = 1.
- EQU_n affects the output according to the output mode.
- The input signal CCI is latched into SCCI.

11.2.5 Output Unit

Each capture/compare block contains an output unit. The output unit is used to generate output signals, such as PWM signals. Each output unit has eight operating modes that generate signals based on the EQU0 and EQU_n signals.

11.2.5.1 Output Modes

The output modes are defined by the OUTMOD bits and are described in [Table 11-2](#). The OUT_n signal is changed with the rising edge of the timer clock for all modes except mode 0. Output modes 2, 3, 6, and 7 are not useful for output unit 0 because EQU_n = EQU0.

Table 11-2. Output Modes

OUTMODx	Mode	Description
000	Output	The output signal OUT _n is defined by the OUT bit. The OUT _n signal updates immediately when OUT is updated.
001	Set	The output is set when the timer <i>counts</i> to the TAxCCRn value. It remains set until a reset of the timer, or until another output mode is selected and affects the output.
010	Toggle/Reset	The output is toggled when the timer <i>counts</i> to the TAxCCRn value. It is reset when the timer <i>counts</i> to the TAxCCR0 value.
011	Set/Reset	The output is set when the timer <i>counts</i> to the TAxCCRn value. It is reset when the timer <i>counts</i> to the TAxCCR0 value.
100	Toggle	The output is toggled when the timer <i>counts</i> to the TAxCCRn value. The output period is double the timer period.
101	Reset	The output is reset when the timer <i>counts</i> to the TAxCCRn value. It remains reset until another output mode is selected and affects the output.
110	Toggle/Set	The output is toggled when the timer <i>counts</i> to the TAxCCRn value. It is set when the timer <i>counts</i> to the TAxCCR0 value.
111	Reset/Set	The output is reset when the timer <i>counts</i> to the TAxCCRn value. It is set when the timer <i>counts</i> to the TAxCCR0 value.

11.2.5.1.1 Output Example—Timer in Up Mode

The OUTn signal is changed when the timer *counts* up to the TAxCCRn value and rolls from TAxCCR0 to zero, depending on the output mode. An example is shown in Figure 11-12 using TAxCCR0 and TAxCCR1.

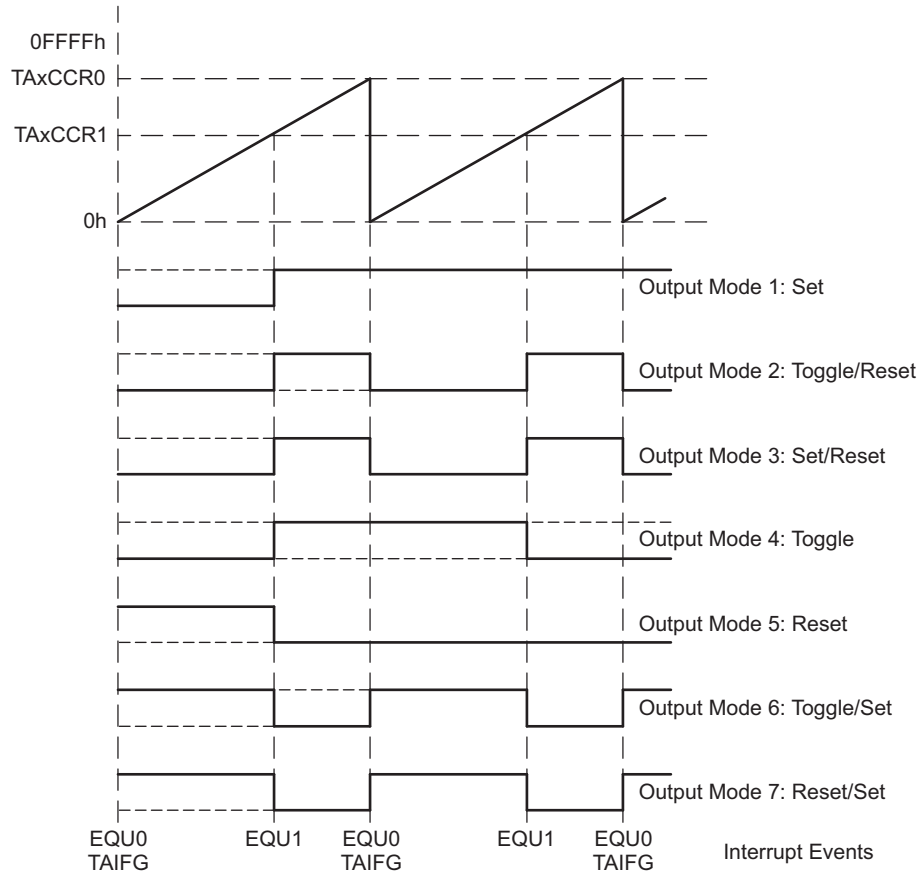


Figure 11-12. Output Example – Timer in Up Mode

11.2.5.1.2 Output Example – Timer in Continuous Mode

The OUTn signal is changed when the timer reaches the TAxCCRn and TAxCCR0 values, depending on the output mode. An example is shown in Figure 11-13 using TAxCCR0 and TAxCCR1.

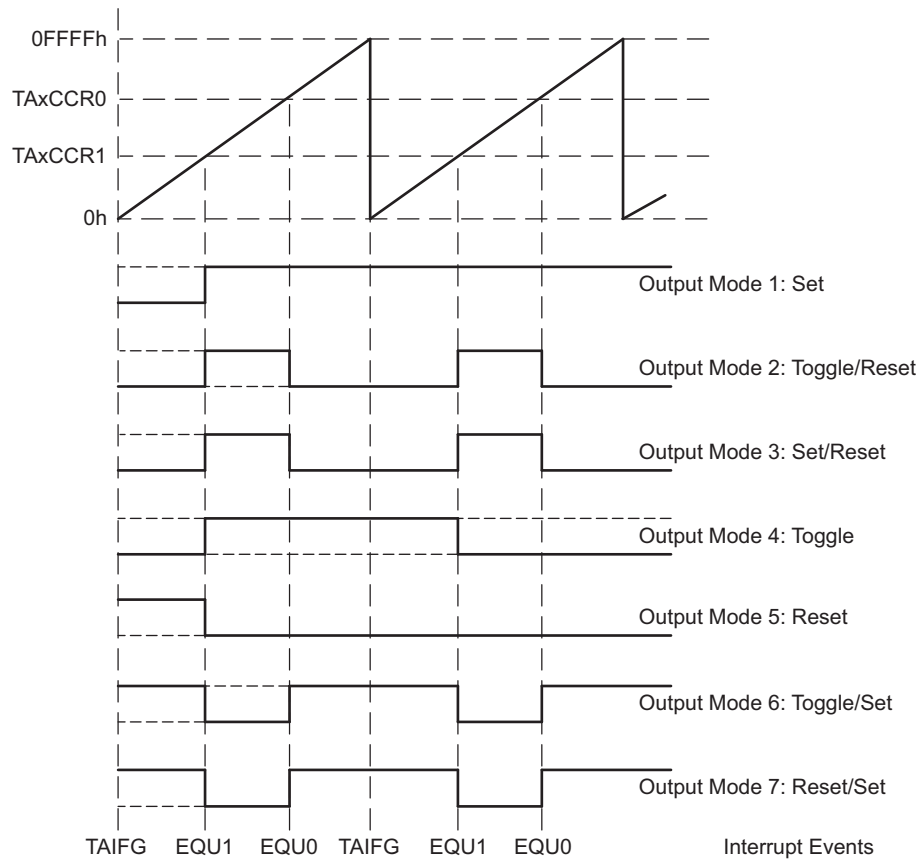


Figure 11-13. Output Example – Timer in Continuous Mode

11.2.5.1.3 Output Example – Timer in Up/Down Mode

The OUTn signal changes when the timer equals TAxCCRn in either count direction and when the timer equals TAxCCR0, depending on the output mode. An example is shown in Figure 11-14 using TAxCCR0 and TAxCCR2.

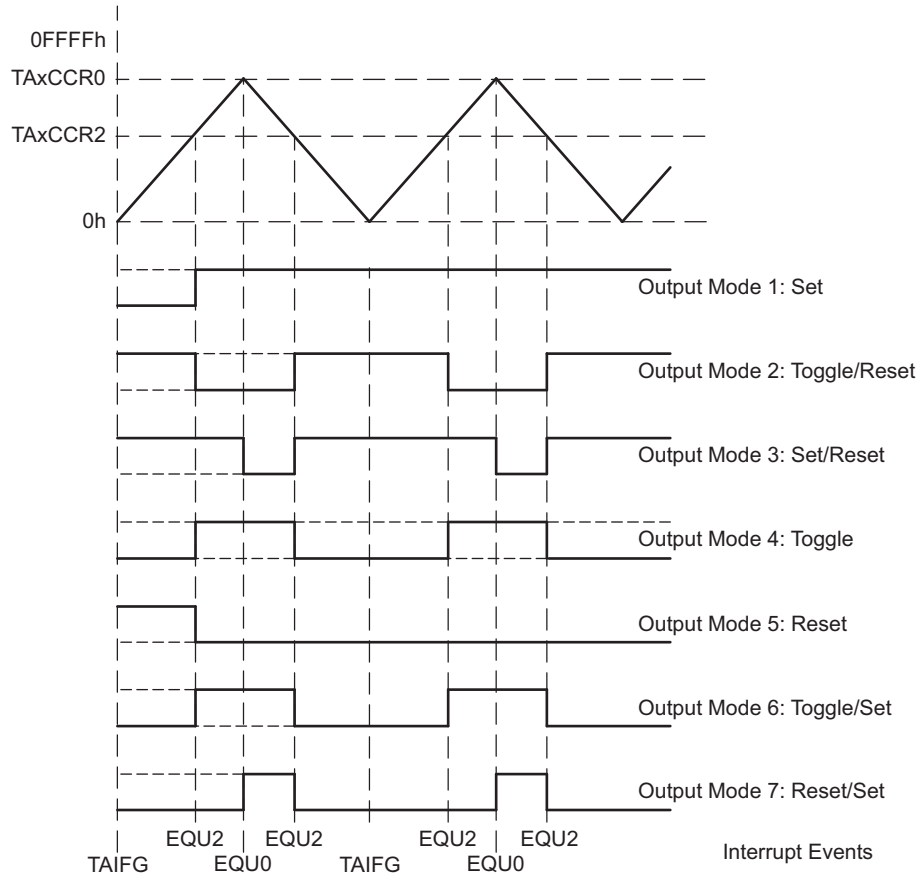


Figure 11-14. Output Example – Timer in Up/Down Mode

NOTE: Switching between output modes

When switching between output modes, one of the OUTMOD bits should remain set during the transition, unless switching to mode 0. Otherwise, output glitching can occur, because a NOR gate decodes output mode 0. A safe method for switching between output modes is to use output mode 7 as a transition state:

```
BIS #OUTMOD_7,&TA0CTL1 ; Set output mode=7
BIC #OUTMOD,&TA0CTL1 ; Clear unwanted bits
```

11.2.6 Timer_A Interrupts

Two interrupt vectors are associated with the 16-bit Timer_A module:

- **TAxCCR0** interrupt vector for TAxCCR0 CCIFG
- **TAxIV** interrupt vector for all other CCIFG flags and TAIFG

In capture mode, any CCIFG flag is set when a timer value is captured in the associated TAxCCRn register. In compare mode, any CCIFG flag is set if **TAxR** counts to the associated TAxCCRn value. Software may also set or clear any CCIFG flag. All CCIFG flags request an interrupt when their corresponding CCIE bit and the GIE bit are set.

11.2.6.1 TAxCCR0 Interrupt

The **TAxCCR0** CCIFG flag has the highest Timer_A interrupt priority and has a dedicated interrupt vector as shown in [Figure 11-15](#). The TAxCCR0 CCIFG flag is automatically reset when the TAxCCR0 interrupt request is serviced.

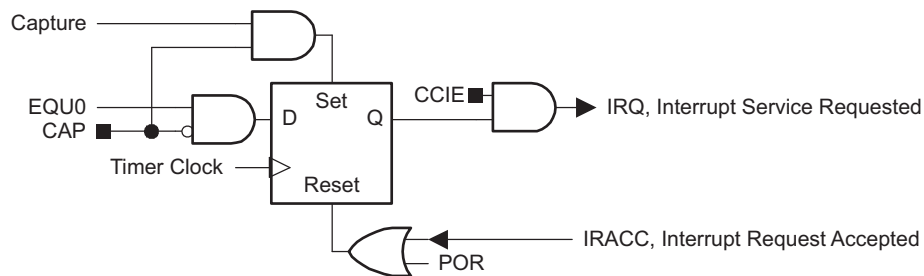


Figure 11-15. Capture/Compare TAxCCR0 Interrupt Flag

11.2.6.2 TAxIV, Interrupt Vector Generator

The TAxCCRy CCIFG flags and TAIFG flags are prioritized and combined to source a single interrupt vector. The interrupt vector register **TAxIV** is used to determine which flag requested an interrupt.

The highest-priority enabled interrupt generates a number in the **TAxIV** register (see register description). This number can be evaluated or added to the program counter to automatically enter the appropriate software routine. Disabled Timer_A interrupts do not affect the TAxIV value.

Any access, read or write, of the **TAxIV** register automatically resets the highest-pending interrupt flag. If another interrupt flag is set, another interrupt is immediately generated after servicing the initial interrupt. For example, if the **TAxCCR1** and **TAxCCR2** CCIFG flags are set when the interrupt service routine accesses the TAxIV register, TAxCCR1 CCIFG is reset automatically. After the RETI instruction of the interrupt service routine is executed, the TAxCCR2 CCIFG flag generates another interrupt.

11.2.6.2.1 TAxIV Software Example

The following software example shows the recommended use of TAxIV and the handling overhead. The TAxIV value is added to the PC to automatically jump to the appropriate routine. The example assumes a single instantiation of the largest timer configuration available.

The numbers at the right margin show the necessary CPU cycles for each instruction. The software overhead for different interrupt sources includes interrupt latency and return-from-interrupt cycles, but not the task handling itself. The latencies are:

- Capture/compare block TA0CCR0: 11 cycles
- Capture/compare blocks TA0CCR1, TA0CCR2, TA0CCR3, TA0CCR4, TA0CCR5, TA0CCR6: 16 cycles
- Timer overflow TA0IFG: 14 cycles

```

; Interrupt handler for TA0CCR0 CCIFG.
CCIFG_0_HND
;          ...          ; Start of handler Interrupt latency    6
;          RETI          ;                                     5

; Interrupt handler for TA0IFG, TA0CCR1 through TA0CCR6 CCIFG.

TA0_HND    ...          ; Interrupt latency                    6
;          ADD    &TA0IV,PC ; Add offset to Jump table      3
;          RETI    ; Vector 0: No interrupt                    5
;          JMP    CCIFG_1_HND ; Vector 2: TA0CCR1              2
;          JMP    CCIFG_2_HND ; Vector 4: TA0CCR2              2
;          JMP    CCIFG_3_HND ; Vector 6: TA0CCR3              2
;          JMP    CCIFG_4_HND ; Vector 8: TA0CCR4              2
;          JMP    CCIFG_5_HND ; Vector 10: TA0CCR5             2
;          JMP    CCIFG_6_HND ; Vector 12: TA0CCR6             2

TA0IFG_HND ; Vector 14: TA0IFG Flag
;          ...          ; Task starts here
;          RETI          ;                                     5

CCIFG_6_HND ; Vector 12: TA0CCR6
;          ...          ; Task starts here
;          RETI          ; Back to main program                5

CCIFG_5_HND ; Vector 10: TA0CCR5
;          ...          ; Task starts here
;          RETI          ; Back to main program                5

CCIFG_4_HND ; Vector 8: TA0CCR4
;          ...          ; Task starts here
;          RETI          ; Back to main program                5

CCIFG_3_HND ; Vector 6: TA0CCR3
;          ...          ; Task starts here
;          RETI          ; Back to main program                5

CCIFG_2_HND ; Vector 4: TA0CCR2
;          ...          ; Task starts here
;          RETI          ; Back to main program                5

CCIFG_1_HND ; Vector 2: TA0CCR1
;          ...          ; Task starts here
;          RETI          ; Back to main program                5

```

11.3 Timer_A Registers

Timer_A registers are listed in [Table 11-3](#) for the largest configuration available. The base address can be found in the device-specific data sheet.

Table 11-3. Timer_A Registers

Offset	Acronym	Register Name	Type	Access	Reset	Section
00h	TAxCTL	Timer_Ax Control	Read/write	Word	0000h	Section 11.3.1
02h	TAxCTL0	Timer_Ax Capture/Compare Control 0	Read/write	Word	0000h	Section 11.3.3
04h	TAxCTL1	Timer_Ax Capture/Compare Control 1	Read/write	Word	0000h	Section 11.3.3
06h	TAxCTL2	Timer_Ax Capture/Compare Control 2	Read/write	Word	0000h	Section 11.3.3
08h	TAxCTL3	Timer_Ax Capture/Compare Control 3	Read/write	Word	0000h	Section 11.3.3
0Ah	TAxCTL4	Timer_Ax Capture/Compare Control 4	Read/write	Word	0000h	Section 11.3.3
0Ch	TAxCTL5	Timer_Ax Capture/Compare Control 5	Read/write	Word	0000h	Section 11.3.3
0Eh	TAxCTL6	Timer_Ax Capture/Compare Control 6	Read/write	Word	0000h	Section 11.3.3
10h	TAxR	Timer_Ax Counter	Read/write	Word	0000h	Section 11.3.2
12h	TAxCCR0	Timer_Ax Capture/Compare 0	Read/write	Word	0000h	Section 11.3.4
14h	TAxCCR1	Timer_Ax Capture/Compare 1	Read/write	Word	0000h	Section 11.3.4
16h	TAxCCR2	Timer_Ax Capture/Compare 2	Read/write	Word	0000h	Section 11.3.4
18h	TAxCCR3	Timer_Ax Capture/Compare 3	Read/write	Word	0000h	Section 11.3.4
1Ah	TAxCCR4	Timer_Ax Capture/Compare 4	Read/write	Word	0000h	Section 11.3.4
1Ch	TAxCCR5	Timer_Ax Capture/Compare 5	Read/write	Word	0000h	Section 11.3.4
1Eh	TAxCCR6	Timer_Ax Capture/Compare 6	Read/write	Word	0000h	Section 11.3.4
2Eh	TAxIV	Timer_Ax Interrupt Vector	Read only	Word	0000h	Section 11.3.5
20h	TAxEX0	Timer_Ax Expansion 0	Read/write	Word	0000h	Section 11.3.6

11.3.1 TAxCTL Register

Timer_Ax Control Register

Figure 11-16. TAxCTL Register

15	14	13	12	11	10	9	8
Reserved						TASSEL	
rw-(0)	rw-(0)	rw-(0)	rw-(0)	rw-(0)	rw-(0)	rw-(0)	rw-(0)
7	6	5	4	3	2	1	0
ID		MC		Reserved	TACLRL	TAIE	TAIFG
rw-(0)	rw-(0)	rw-(0)	rw-(0)	rw-(0)	w-(0)	rw-(0)	rw-(0)

Table 11-4. TAxCTL Register Description

Bit	Field	Type	Reset	Description
15-10	Reserved	RW	0h	Reserved
9-8	TASSEL	RW	0h	Timer_A clock source select 00b = TAxCLK 01b = ACLK 10b = SMCLK 11b = INCLK
7-6	ID	RW	0h	Input divider. These bits along with the TAIDEX bits select the divider for the input clock. 00b = /1 01b = /2 10b = /4 11b = /8
5-4	MC	RW	0h	Mode control. Setting MC = 00h when Timer_A is not in use conserves power. 00b = Stop mode: Timer is halted 01b = Up mode: Timer counts up to TAxCCR0 10b = Continuous mode: Timer counts up to 0FFFFh 11b = Up/down mode: Timer counts up to TAxCCR0 then down to 0000h
3	Reserved	RW	0h	Reserved
2	TACLRL	RW	0h	Timer_A clear. Setting this bit clears TAR, the clock divider logic (the divider setting remains unchanged), and the count direction. The TACLRL bit is automatically reset and is always read as zero.
1	TAIE	RW	0h	Timer_A interrupt enable. This bit enables the TAIFG interrupt request. 0b = Interrupt disabled 1b = Interrupt enabled
0	TAIFG	RW	0h	Timer_A interrupt flag 0b = No interrupt pending 1b = Interrupt pending

11.3.2 TAxR Register

Timer_Ax Counter Register

Figure 11-17. TAxR Register

15	14	13	12	11	10	9	8
TAxR							
rw-(0)	rw-(0)	rw-(0)	rw-(0)	rw-(0)	rw-(0)	rw-(0)	rw-(0)
7	6	5	4	3	2	1	0
TAxR							
rw-(0)	rw-(0)	rw-(0)	rw-(0)	rw-(0)	rw-(0)	rw-(0)	rw-(0)

Table 11-5. TAxR Register Description

Bit	Field	Type	Reset	Description
15-0	TAxR	RW	0h	Timer_A register. The TAxR register is the count of Timer_A.

11.3.3 TAXCCTLn Register

Timer_Ax Capture/Compare Control n Register

Figure 11-18. TAXCCTLn Register

15	14	13	12	11	10	9	8
CM		CCIS		SCS	SCCI	Reserved	CAP
rw-(0)	rw-(0)	rw-(0)	rw-(0)	rw-(0)	r-(0)	r-(0)	rw-(0)
7	6	5	4	3	2	1	0
OUTMOD			CCIE	CCI	OUT	COV	CCIFG
rw-(0)	rw-(0)	rw-(0)	rw-(0)	r	rw-(0)	rw-(0)	rw-(0)

Table 11-6. TAXCCTLn Register Description

Bit	Field	Type	Reset	Description
15-14	CM	RW	0h	Capture mode 00b = No capture 01b = Capture on rising edge 10b = Capture on falling edge 11b = Capture on both rising and falling edges
13-12	CCIS	RW	0h	Capture/compare input select. These bits select the TAXCCR0 input signal. See the device-specific data sheet for specific signal connections. 00b = CC1xA 01b = CC1xB 10b = GND 11b = VCC
11	SCS	RW	0h	Synchronize capture source. This bit is used to synchronize the capture input signal with the timer clock. 0b = Asynchronous capture 1b = Synchronous capture
10	SCCI	RW	0h	Synchronized capture/compare input. The selected CCI input signal is latched with the EQUx signal and can be read from this bit.
9	Reserved	R	0h	Reserved. Reads as 0.
8	CAP	RW	0h	Capture mode 0b = Compare mode 1b = Capture mode
7-5	OUTMOD	RW	0h	Output mode. Modes 2, 3, 6, and 7 are not useful for TAXCCR0 because EQUx = EQU0. 000b = OUT bit value 001b = Set 010b = Toggle/reset 011b = Set/reset 100b = Toggle 101b = Reset 110b = Toggle/set 111b = Reset/set
4	CCIE	RW	0h	Capture/compare interrupt enable. This bit enables the interrupt request of the corresponding CCIFG flag. 0b = Interrupt disabled 1b = Interrupt enabled
3	CCI	R	0h	Capture/compare input. The selected input signal can be read by this bit.
2	OUT	RW	0h	Output. For output mode 0, this bit directly controls the state of the output. 0b = Output low 1b = Output high

Table 11-6. TAxCTLn Register Description (continued)

Bit	Field	Type	Reset	Description
1	COV	RW	0h	Capture overflow. This bit indicates a capture overflow occurred. COV must be reset with software. 0b = No capture overflow occurred 1b = Capture overflow occurred
0	CCIFG	RW	0h	Capture/compare interrupt flag 0b = No interrupt pending 1b = Interrupt pending

11.3.4 TAxCCRn Register

Timer_A Capture/Compare n Register

Figure 11-19. TAxCCRn Register

15	14	13	12	11	10	9	8
TAxCCRn							
rw-(0)	rw-(0)	rw-(0)	rw-(0)	rw-(0)	rw-(0)	rw-(0)	rw-(0)
7	6	5	4	3	2	1	0
TAxCCRn							
rw-(0)	rw-(0)	rw-(0)	rw-(0)	rw-(0)	rw-(0)	rw-(0)	rw-(0)

Table 11-7. TAxCCRn Register Description

Bit	Field	Type	Reset	Description
15-0	TAxCCR0	RW	0h	Compare mode: TAxCCRn holds the data for the comparison to the timer value in the Timer_A Register, TAR. Capture mode: The Timer_A Register, TAR, is copied into the TAxCCRn register when a capture is performed.

11.3.5 TAxIV Register

Timer_Ax Interrupt Vector Register

Figure 11-20. TAxIV Register

15	14	13	12	11	10	9	8
TAIV							
r0	r0	r0	r0	r0	r0	r0	r0
7	6	5	4	3	2	1	0
TAIV							
r0	r0	r0	r0	r-(0)	r-(0)	r-(0)	r0

Table 11-8. TAxIV Register Description

Bit	Field	Type	Reset	Description
15-0	TAIV	R	0h	Timer_A interrupt vector value 00h = No interrupt pending 02h = Interrupt Source: Capture/compare 1; Interrupt Flag: TAxCCR1 CCIFG; Interrupt Priority: Highest 04h = Interrupt Source: Capture/compare 2; Interrupt Flag: TAxCCR2 CCIFG 06h = Interrupt Source: Capture/compare 3; Interrupt Flag: TAxCCR3 CCIFG 08h = Interrupt Source: Capture/compare 4; Interrupt Flag: TAxCCR4 CCIFG 0Ah = Interrupt Source: Capture/compare 5; Interrupt Flag: TAxCCR5 CCIFG 0Ch = Interrupt Source: Capture/compare 6; Interrupt Flag: TAxCCR6 CCIFG 0Eh = Interrupt Source: Timer overflow; Interrupt Flag: TAxCTL TAIFG; Interrupt Priority: Lowest

11.3.6 TAxEX0 Register

Timer_Ax Expansion 0 Register

Figure 11-21. TAxEX0 Register

15	14	13	12	11	10	9	8
Reserved							
r0	r0	r0	r0	r0	r0	r0	r0
7	6	5	4	3	2	1	0
Reserved					TAIDEX ⁽¹⁾		
r0	r0	r0	r0	r0	rw-(0)	rw-(0)	rw-(0)

⁽¹⁾ After programming TAIDEX bits and configuration of the timer, set TACLR bit to ensure proper reset of the timer divider logic.

Table 11-9. TAxEX0 Register Description

Bit	Field	Type	Reset	Description
15-3	Reserved	R	0h	Reserved. Reads as 0.
2-0	TAIDEX	RW	0h	Input divider expansion. These bits along with the ID bits select the divider for the input clock. 000b = Divide by 1 001b = Divide by 2 010b = Divide by 3 011b = Divide by 4 100b = Divide by 5 101b = Divide by 6 110b = Divide by 7 111b = Divide by 8

Timer_B

Timer_B is a 16-bit timer/counter with multiple capture/compare registers. There can be multiple Timer_B modules on a given device (see the device-specific data sheet). This chapter describes the operation and use of the Timer_B module.

Topic	Page
12.1 Timer_B Introduction	356
12.2 Timer_B Operation.....	358
12.3 Timer_B Registers	371

12.1 Timer_B Introduction

Timer_B is a 16-bit timer/counter with up to seven capture/compare registers. Timer_B can support multiple capture/compares, PWM outputs, and interval timing. Timer_B also has extensive interrupt capabilities. Interrupts may be generated from the counter on overflow conditions and from each of the capture/compare registers.

Timer_B features include:

- Asynchronous 16-bit timer/counter with four operating modes and four selectable lengths
- Selectable and configurable clock source
- Up to seven configurable capture/compare registers
- Configurable outputs with PWM capability
- Double-buffered compare latches with synchronized loading
- Interrupt vector register for fast decoding of all Timer_B interrupts

The block diagram of Timer_B is shown in [Figure 12-1](#).

NOTE: Use of the word *count*

Count is used throughout this chapter. It means the counter must be in the process of counting for the action to take place. If a particular value is directly written to the counter, an associated action does not take place.

NOTE: Nomenclature

There may be multiple instantiations of Timer_B on a given device. The prefix TBx is used, where x is a greater than equal to zero indicating the Timer_B instantiation. For devices with one instantiation, x = 0. The suffix n, where n = 0 to 6, represents the specific capture/compare registers associated with the Timer_B instantiation.

12.1.1 Similarities and Differences From Timer_A

Timer_B is identical to Timer_A with the following exceptions:

- The length of Timer_B is programmable to be 8, 10, 12, or 16 bits.
- Timer_B TBxCCRn registers are double-buffered and can be grouped.
- All Timer_B outputs can be put into a high-impedance state.
- The SCCI bit function is not implemented in Timer_B.

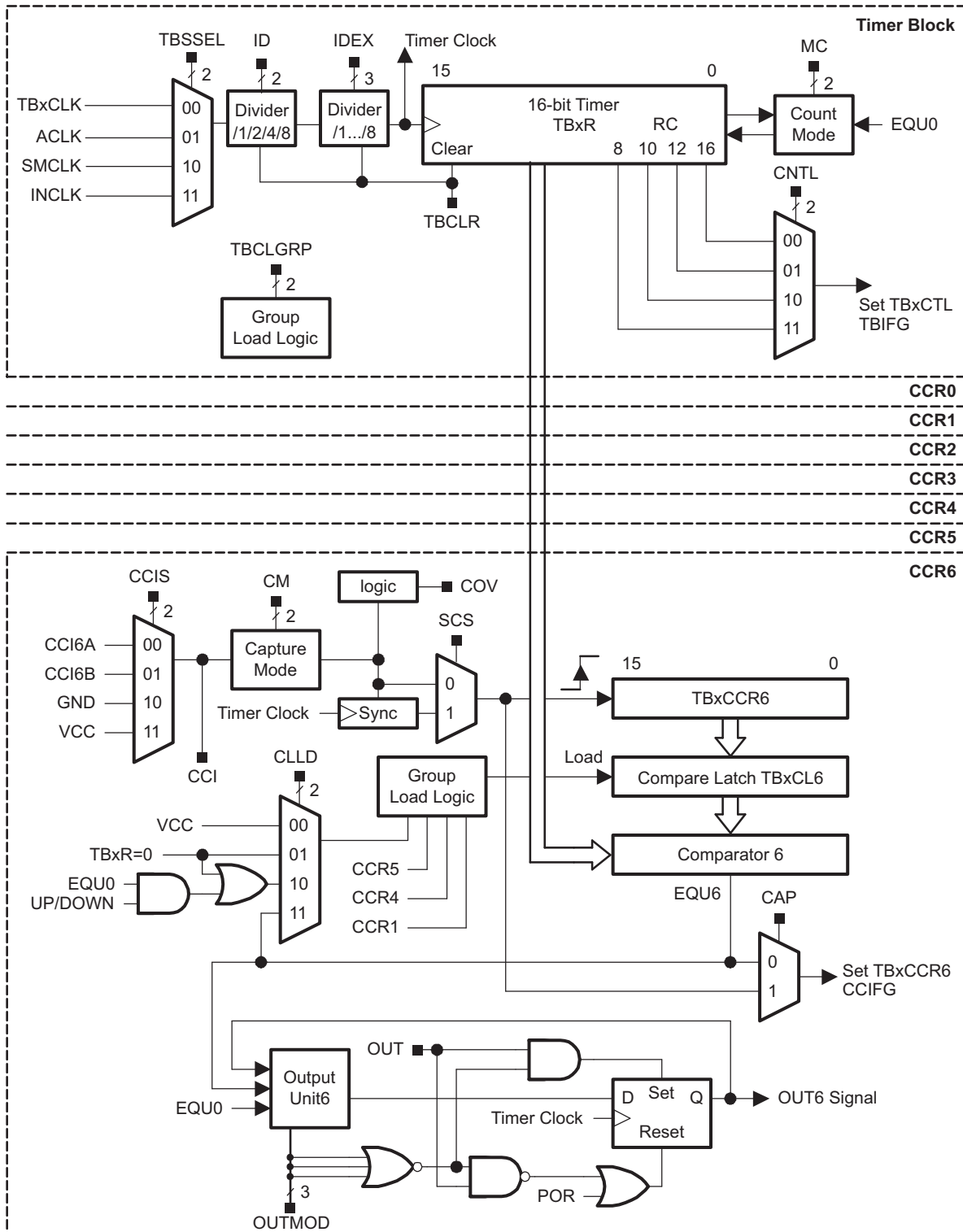


Figure 12-1. Timer_B Block Diagram

12.2 Timer_B Operation

The Timer_B module is configured with user software. The setup and operation of Timer_B is discussed in the following sections.

12.2.1 16-Bit Timer Counter

The 16-bit timer/counter register, TBxR, increments or decrements (depending on mode of operation) with each rising edge of the clock signal. TBxR can be read or written with software. Additionally, the timer can generate an interrupt when it overflows.

TBxR may be cleared by setting the TBCLR bit. Setting TBCLR also clears the clock divider counter logic (the divider setting remains unchanged) and count direction for up/down mode.

NOTE: Modifying Timer_B registers

TI recommends stopping the timer before modifying its operation (with exception of the interrupt enable, interrupt flag, and TBCLR) to avoid errant operating conditions.

When the timer clock is asynchronous to the CPU clock, any read from TBxR should occur while the timer is not operating or the results may be unpredictable. Alternatively, the timer may be read multiple times while operating, and a majority vote taken in software to determine the correct reading. Any write to TBxR takes effect immediately.

12.2.1.1 TBxR Length

Timer_B is configurable to operate as an 8-, 10-, 12-, or 16-bit timer with the CNTL bits. The maximum count value, TBxR_(max), for the selectable lengths is 0FFh, 03FFh, 0FFFh, and 0FFFFh, respectively. Data written to the TBxR register in 8-, 10-, and 12-bit mode is right justified with leading zeros.

12.2.1.2 Clock Source Select and Divider

The timer clock can be sourced from ACLK, SMCLK, or externally from TBxCLK or INCLK. The clock source is selected with the TBSEL bits. The selected clock source may be passed directly to the timer or divided by 2, 4, or 8, using the ID bits. The selected clock source can be further divided by 2, 3, 4, 5, 6, 7, or 8 using the TBIDEX bits. The timer clock divider logic is reset when TBCLR is set.

NOTE: Timer_B dividers

After programming ID or TBIDEX bits, set the TBCLR bit. This clears the contents of TBxR and resets the clock divider logic to a defined state. The clock dividers are implemented as down counters. Therefore, when the TBCLR bit is cleared, the timer clock immediately begins clocking at the first rising edge of the Timer_B clock source selected with the TBSEL bits and continues clocking at the divider settings set by the ID and TBIDEX bits.

12.2.2 Starting the Timer

The timer may be started or restarted in the following ways:

- The timer counts when MC > { 0 } and the clock source is active.
- When the timer mode is either up or up/down, the timer may be stopped by loading 0 to TBxCL0. The timer may then be restarted by loading a nonzero value to TBxCL0. In this scenario, the timer starts incrementing in the up direction from zero.

12.2.3 Timer Mode Control

The timer has four modes of operation: stop, up, continuous, and up/down (see Table 12-1). The operating mode is selected with the MC bits.

Table 12-1. Timer Modes

MC	Mode	Description
00	Stop	The timer is halted.
01	Up	The timer repeatedly counts from zero to the value of compare register TBxCL0.
10	Continuous	The timer repeatedly counts from zero to the value selected by the CNTL bits.
11	Up/down	The timer repeatedly counts from zero up to the value of TBxCL0 and then back down to zero.

12.2.3.1 Up Mode

The up mode is used if the timer period must be different from $TBxR_{(max)}$ counts. The timer repeatedly counts up to the value of compare latch TBxCL0, which defines the period (see Figure 12-2). The number of timer counts in the period is $TBxCL0 + 1$. When the timer value equals TBxCL0, the timer restarts counting from zero. If up mode is selected when the timer value is greater than TBxCL0, the timer immediately restarts counting from zero.

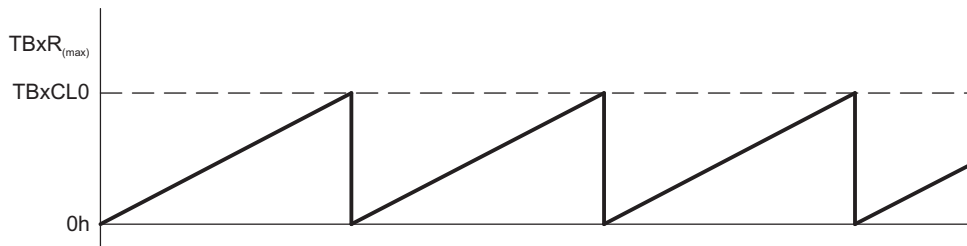


Figure 12-2. Up Mode

The TBxCCR0 CCIFG interrupt flag is set when the timer counts to the TBxCL0 value. The TBIFG interrupt flag is set when the timer counts from TBxCL0 to zero. Figure 12-3 shows the flag set cycle.

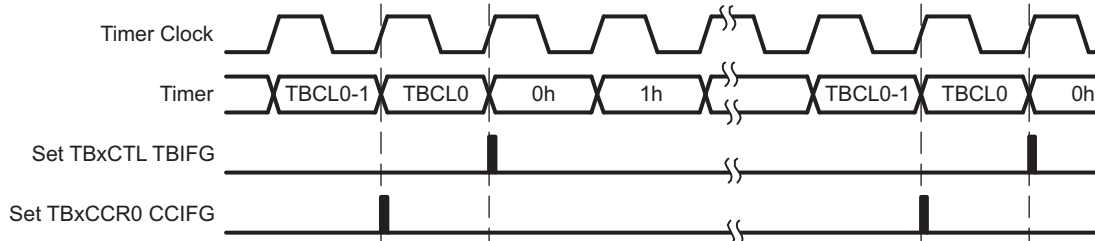


Figure 12-3. Up Mode Flag Setting

12.2.3.1.1 Changing Period Register TBxCL0

When changing TBxCL0 while the timer is running and when the TBxCL0 load mode is *immediate*, if the new period is greater than or equal to the old period or greater than the current count value, the timer counts up to the new period. If the new period is less than the current count value, the timer rolls to zero. However, one additional count may occur before the counter rolls to zero.

12.2.3.2 Continuous Mode

In continuous mode, the timer repeatedly counts up to $TBxR_{(max)}$ and restarts from zero (see Figure 12-4). The compare latch $TBxCL0$ works the same way as the other capture/compare registers.

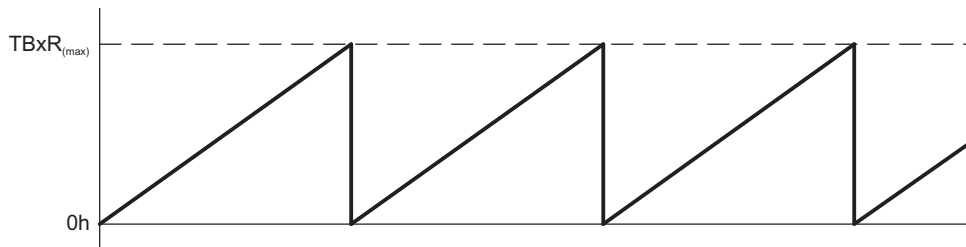


Figure 12-4. Continuous Mode

The TBIFG interrupt flag is set when the timer *counts* from $TBxR_{(max)}$ to zero. Figure 12-5 shows the flag set cycle.

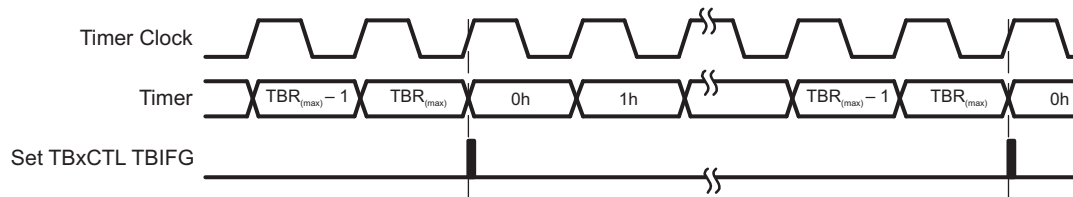


Figure 12-5. Continuous Mode Flag Setting

12.2.3.3 Use of Continuous Mode

The continuous mode can be used to generate independent time intervals and output frequencies. Each time an interval is completed, an interrupt is generated. The next time interval is added to the $TBxCLn$ latch in the interrupt service routine. Figure 12-6 shows two separate time intervals, t_0 and t_1 , being added to the capture/compare registers. The time interval is controlled by hardware, not software, without impact from interrupt latency. Up to n (where $n = 0$ to 7), independent time intervals or output frequencies can be generated using capture/compare registers.

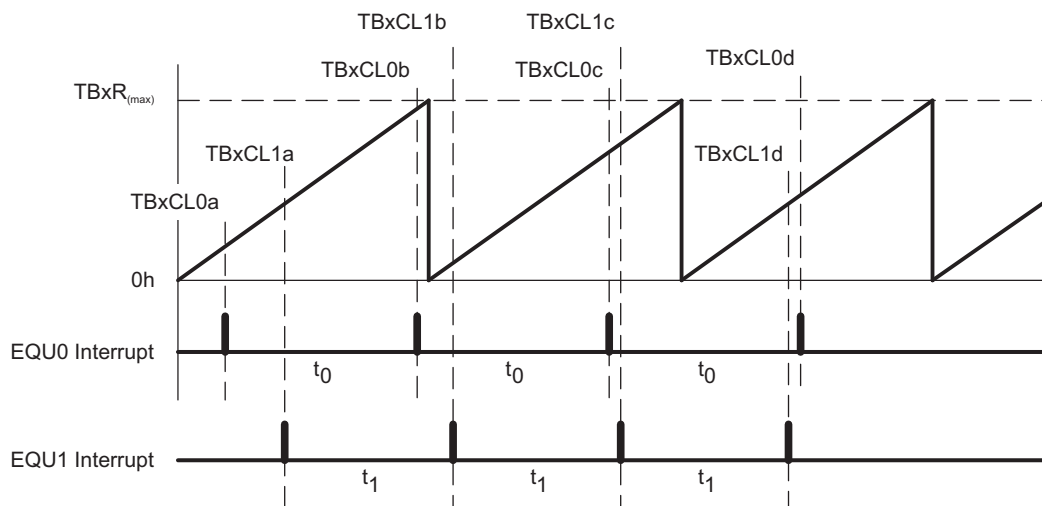


Figure 12-6. Continuous Mode Time Intervals

Time intervals can be produced with other modes as well, where TBxCL0 is used as the period register. Their handling is more complex, because the sum of the old TBxCLn data and the new period can be higher than the TBxCL0 value. When the sum of the previous TBxCLn value plus t_x is greater than the TBxCL0 data, the old TBxCL0 value must be subtracted to obtain the correct time interval.

12.2.3.4 Up/Down Mode

The up/down mode is used if the timer period must be different from $TBxR_{(max)}$ counts and if symmetrical pulse generation is needed. The timer repeatedly counts up to the value of compare latch TBxCL0, and back down to zero (see Figure 12-7). The period is twice the value in TBxCL0.

NOTE: $TBxCL0 > TBxR_{(max)}$

If $TBxCL0 > TBxR_{(max)}$, the counter operates as if it were configured for continuous mode. It does not count down from $TBxR_{(max)}$ to zero.

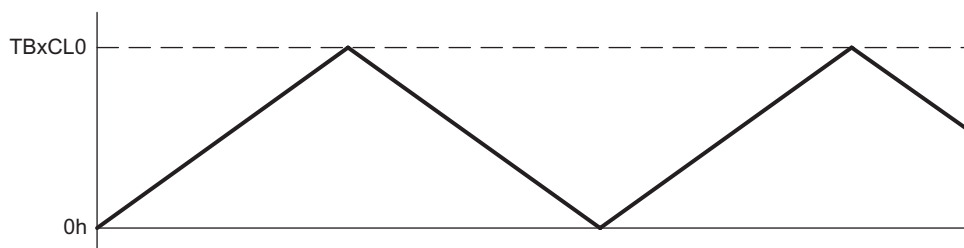


Figure 12-7. Up/Down Mode

The count direction is latched. This allows the timer to be stopped and then restarted in the same direction it was counting before it was stopped. If this is not desired, the TBCLR bit must be used to clear the direction. Setting TBCLR also clears the TBxR value and the clock divider counter logic (the divider setting remains unchanged).

In up/down mode, the TBxCCR0 CCIFG interrupt flag and the TBIFG interrupt flag are set only once during the period, separated by one-half the timer period. The TBxCCR0 CCIFG interrupt flag is set when the timer counts from $TBxCL0-1$ to $TBxCL0$, and TBIFG is set when the timer completes counting down from $0001h$ to $0000h$. Figure 12-8 shows the flag set cycle.

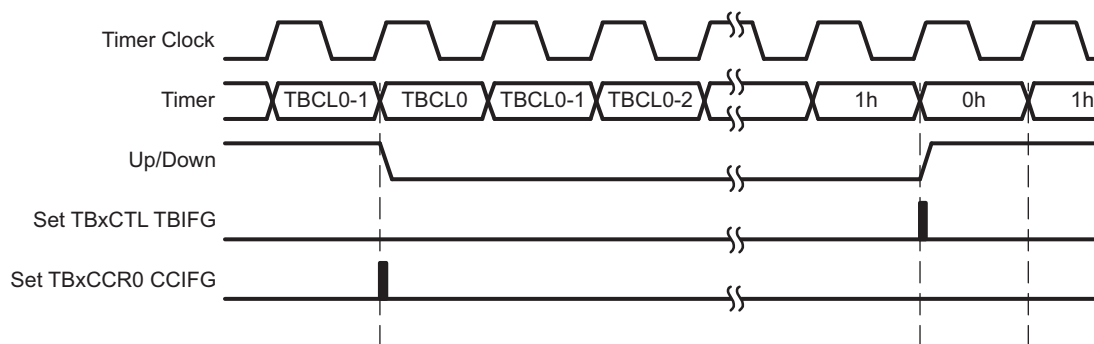


Figure 12-8. Up/Down Mode Flag Setting

12.2.3.4.1 Changing the Value of Period Register TBxCL0

When changing TBxCL0 while the timer is running and counting in the down direction, and when the TBxCL0 load mode is *immediate*, the timer continues its descent until it reaches zero. The new period takes effect after the counter counts down to zero.

If the timer is counting in the up direction when the new period is latched into TBxCL0, and the new period is greater than or equal to the old period or greater than the current count value, the timer counts up to the new period before counting down. When the timer is counting in the up direction, and the new period is less than the current count value when TBxCL0 is loaded, the timer begins counting down. However, one additional count may occur before the counter begins counting down.

12.2.3.5 Use of Up/Down Mode

The up/down mode supports applications that require dead times between output signals (see Section 12.2.5). For example, to avoid overload conditions, two outputs driving an H-bridge must never be in a high state simultaneously. In the example shown in Figure 12-9, the t_{dead} is:

$$t_{dead} = t_{timer} \times (TBxCL1 - TBxCL3)$$

Where:

t_{dead} = Time during which both outputs need to be inactive

t_{timer} = Cycle time of the timer clock

TBxCLn = Content of compare latch n

The ability to simultaneously load grouped compare latches ensures the dead times.

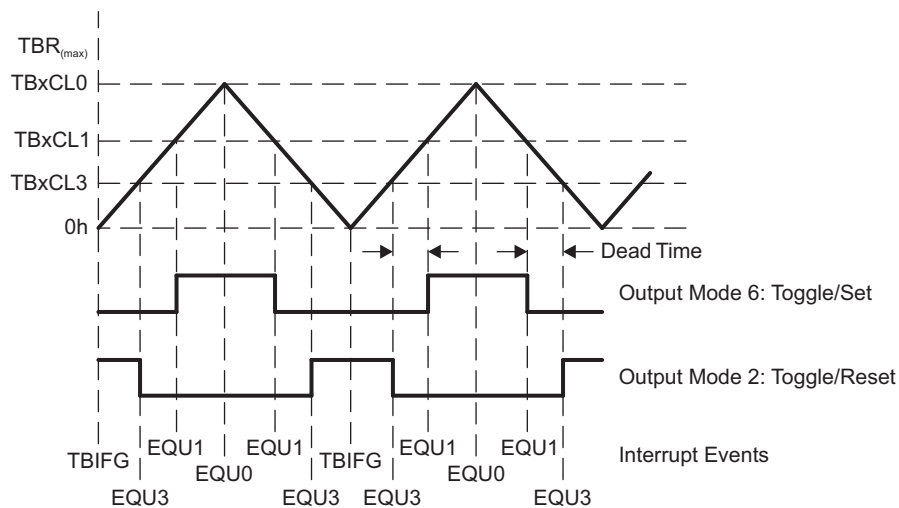


Figure 12-9. Output Unit in Up/Down Mode

12.2.4 Capture/Compare Blocks

Up to seven identical capture/compare blocks, TBxCCRn (where n = 0 to 6), are present in Timer_B. Any of the blocks may be used to capture the timer data or to generate time intervals.

12.2.4.1 Capture Mode

The capture mode is selected when CAP = 1. Capture mode is used to record time events. It can be used for speed computations or time measurements. The capture inputs CCIxA and CCIxB are connected to external pins or internal signals and are selected with the CCIS bits. The CM bits select the capture edge of the input signal as rising, falling, or both. A capture occurs on the selected edge of the input signal. If a capture is performed:

- The timer value is copied into the TBxCCRn register.
- The interrupt flag CCIFG is set.

The input signal level can be read at any time from the CCI bit. Devices may have different signals connected to CCIxA and CCIxB. See the device-specific data sheet for the connections of these signals.

The capture signal can be asynchronous to the timer clock and cause a race condition. Setting the SCS bit synchronizes the capture with the next timer clock. TI recommends setting the SCS bit to synchronize the capture signal with the timer clock (see [Figure 12-10](#)).

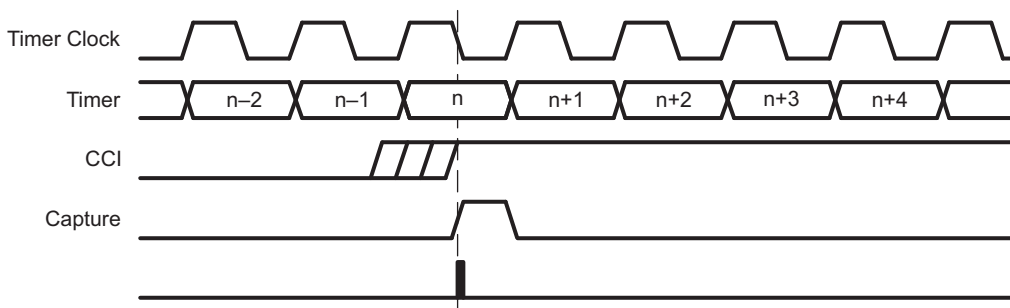


Figure 12-10. Capture Signal (SCS = 1)

NOTE: Changing Capture Inputs

Changing capture inputs while in capture mode may cause unintended capture events. To avoid this scenario, capture inputs should only be changed when capture mode is disabled (CM = {0} or CAP = 0).

Overflow logic is provided in each capture/compare register to indicate if a second capture was performed before the value from the first capture was read. Bit COV is set when this occurs (see [Figure 12-11](#)). COV must be reset with software.

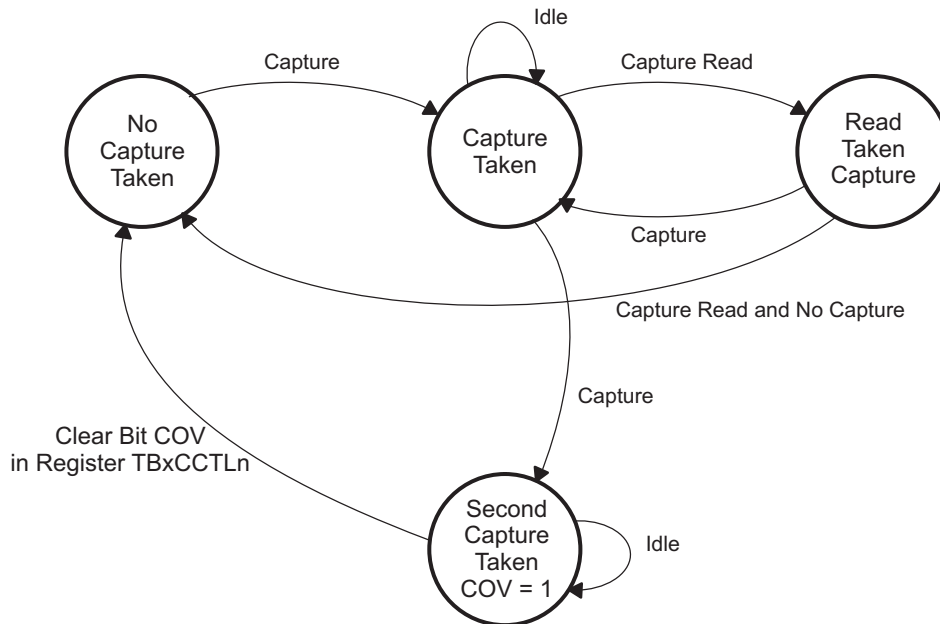


Figure 12-11. Capture Cycle

12.2.4.1.1 Capture Initiated by Software

Captures can be initiated by software. The CM bits can be set for capture on both edges. Software then sets bit CCIS1 = 1 and toggles bit CCIS0 to switch the capture signal between V_{CC} and GND, initiating a capture each time CCIS0 changes state:

```
MOV    #CAP+SCS+CCIS1+CM_3,&TB0CCTL1 ; Setup TB0CCTL1
XOR    #CCIS0,&TB0CCTL1             ; TB0CCR1 = TB0R
```

NOTE: Capture Initiated by Software

In general, changing capture inputs while in capture mode may cause unintended capture events. For this scenario, switching the capture input between VCC and GND, disabling the capture mode is not required.

12.2.4.2 Compare Mode

The compare mode is selected when CAP = 0. Compare mode is used to generate PWM output signals or interrupts at specific time intervals. When TBxR *counts* to the value in a TBxCLn, where n represents the specific capture/compare latch:

- Interrupt flag CCIFG is set.
- Internal signal EQU_n = 1.
- EQU_n affects the output according to the output mode.

12.2.4.2.1 Compare Latch TBxCLn

The TBxCCR_n compare latch, TBxCL_n, holds the data for the comparison to the timer value in compare mode. TBxCL_n is buffered by TBxCCR_n. The buffered compare latch gives the user control over when a compare period updates. The user cannot directly access TBxCL_n. Compare data is written to each TBxCCR_n and automatically transferred to TBxCL_n. The timing of the transfer from TBxCCR_n to TBxCL_n is user selectable, with the CLLD bits as described in [Table 12-2](#).

Table 12-2. TBxCL_n Load Events

CLLD	Description
00	New data is transferred from TBxCCR _n to TBxCL _n immediately when TBxCCR _n is written to.
01	New data is transferred from TBxCCR _n to TBxCL _n when TBxR <i>counts</i> to 0.
10	New data is transferred from TBxCCR _n to TBxCL _n when TBxR <i>counts</i> to 0 for up and continuous modes. New data is transferred to from TBxCCR _n to TBxCL _n when TBxR <i>counts</i> to the old TBxCL ₀ value or to 0 for up/down mode.
11	New data is transferred from TBxCCR _n to TBxCL _n when TBxR <i>counts</i> to the old TBxCL _n value.

12.2.4.2.2 Grouping Compare Latches

Multiple compare latches may be grouped together for simultaneous updates with the TBCLGRP_x bits. When using groups, the CLLD bits of the lowest numbered TBxCCR_n in the group determine the load event for each compare latch of the group, except when TBCLGRP = 3 (see [Table 12-3](#)). The CLLD bits of the controlling TBxCCR_n must not be set to zero. When the CLLD bits of the controlling TBxCCR_n are set to zero, all compare latches update immediately when their corresponding TBxCCR_n is written; no compare latches are grouped.

Two conditions must exist for the compare latches to be loaded when grouped. First, all TBxCCR_n registers of the group must be updated, even when new TBxCCR_n data = old TBxCCR_n data. Second, the load event must occur.

Table 12-3. Compare Latch Operating Modes

TBCLGRP _x	Grouping	Update Control
00	None	Individual
01	TBxCL1+TBxCL2 TBxCL3+TBxCL4 TBxCL5+TBxCL6	TBxCCR1 TBxCCR3 TBxCCR5
10	TBxCL1+TBxCL2+TBxCL3 TBxCL4+TBxCL5+TBxCL6	TBxCCR1 TBxCCR4
11	TBxCL0+TBxCL1+TBxCL2+TBxCL3+TBxCL4+TBxCL5+TBxCL6	TBxCCR1

12.2.5 Output Unit

Each capture/compare block contains an output unit. The output unit is used to generate output signals, such as PWM signals. Each output unit has eight operating modes that generate signals based on the EQU₀ and EQU_n signals. The TBOUTH pin function can be used to put all Timer_B outputs into a high-impedance state. When the TBOUTH pin function is selected for the pin (corresponding PSEL bit is set, and port configured as input) and when the pin is pulled high, all Timer_B outputs are in a high-impedance state.

12.2.5.1 Output Modes

The output modes are defined by the OUTMOD bits and are described in [Table 12-4](#). The OUT_n signal is changed with the rising edge of the timer clock for all modes except mode 0. Output modes 2, 3, 6, and 7 are not useful for output unit 0 because EQU_n = EQU₀.

Table 12-4. Output Modes

OUTMOD	Mode	Description
000	Output	The output signal OUT _n is defined by the OUT bit. The OUT _n signal updates immediately when OUT is updated.
001	Set	The output is set when the timer <i>counts</i> to the TBxCL _n value. It remains set until a reset of the timer, or until another output mode is selected and affects the output.
010	Toggle/Reset	The output is toggled when the timer <i>counts</i> to the TBxCL _n value. It is reset when the timer <i>counts</i> to the TBxCL ₀ value.
011	Set/Reset	The output is set when the timer <i>counts</i> to the TBxCL _n value. It is reset when the timer <i>counts</i> to the TBxCL ₀ value.
100	Toggle	The output is toggled when the timer <i>counts</i> to the TBxCL _n value. The output period is double the timer period.
101	Reset	The output is reset when the timer <i>counts</i> to the TBxCL _n value. It remains reset until another output mode is selected and affects the output.
110	Toggle/Set	The output is toggled when the timer <i>counts</i> to the TBxCL _n value. It is set when the timer <i>counts</i> to the TBxCL ₀ value.
111	Reset/Set	The output is reset when the timer <i>counts</i> to the TBxCL _n value. It is set when the timer <i>counts</i> to the TBxCL ₀ value.

12.2.5.1.1 Output Example – Timer in Up Mode

The OUTn signal is changed when the timer *counts* up to the TBxCLn value, and rolls from TBxCL0 to zero, depending on the output mode. An example is shown in [Figure 12-12](#) using TBxCL0 and TBxCL1.

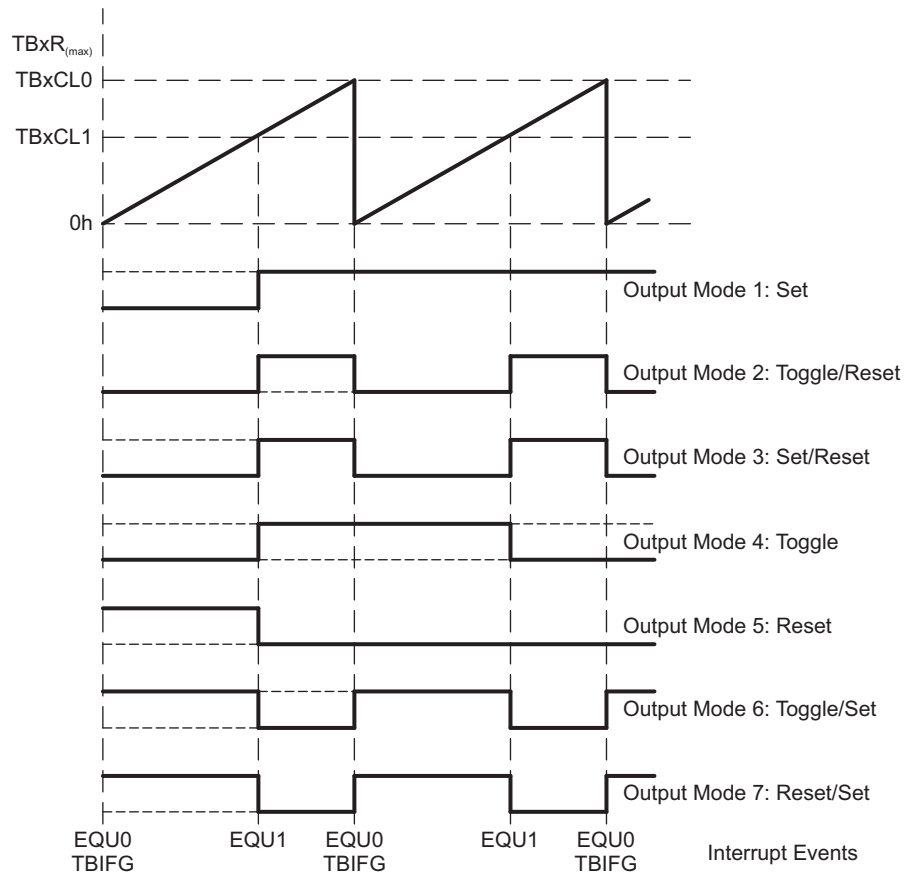


Figure 12-12. Output Example – Timer in Up Mode

12.2.5.1.2 Output Example – Timer in Continuous Mode

The OUTn signal is changed when the timer reaches the TBxCLn and TBxCL0 values, depending on the output mode. An example is shown in [Figure 12-13](#) using TBxCL0 and TBxCL1.

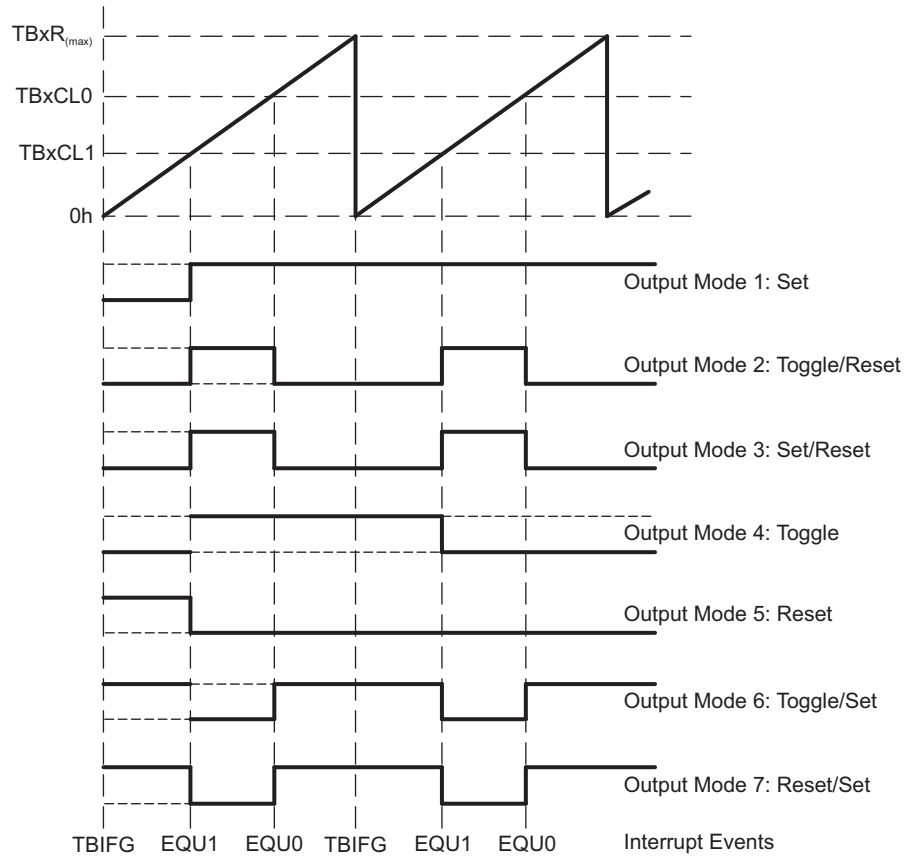


Figure 12-13. Output Example – Timer in Continuous Mode

12.2.5.1.3 Output Example – Timer in Up/Down Mode

The OUTn signal changes when the timer equals TBxCLn in either count direction and when the timer equals TBxCL0, depending on the output mode. An example is shown in Figure 12-14 using TBxCL0 and TBxCL3.

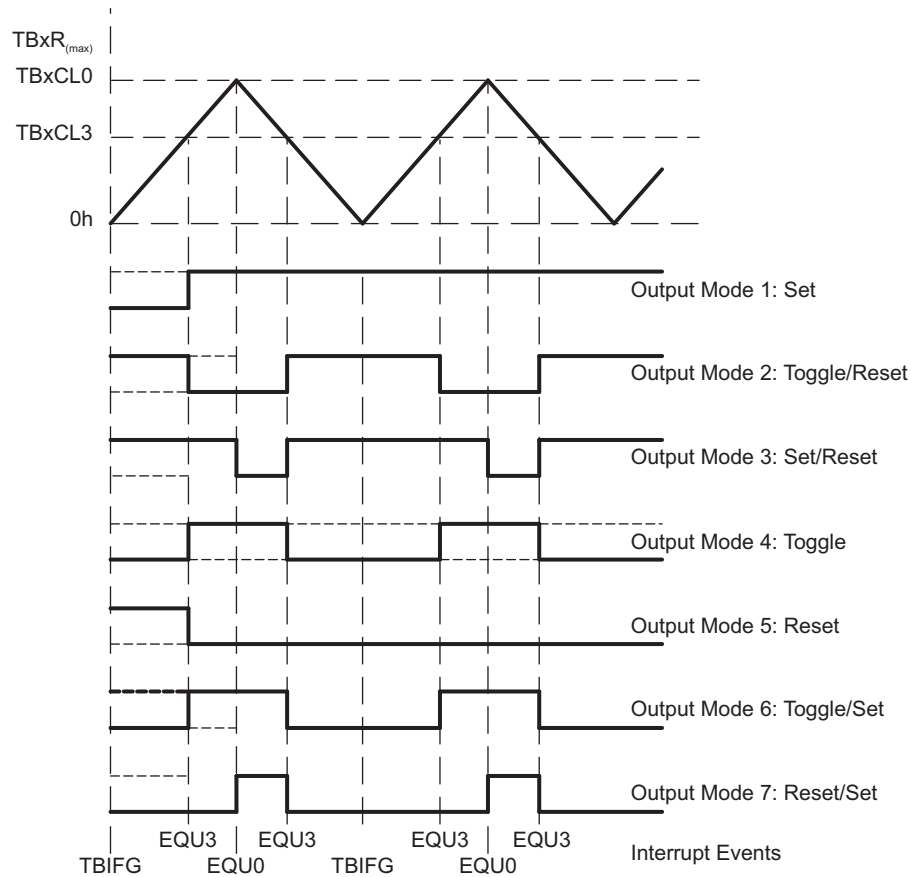


Figure 12-14. Output Example – Timer in Up/Down Mode

NOTE: Switching between output modes

When switching between output modes, one of the OUTMOD bits should remain set during the transition, unless switching to mode 0. Otherwise, output glitching can occur because a NOR gate decodes output mode 0. A safe method for switching between output modes is to use output mode 7 as a transition state:

```
BIS #OUTMOD_7,&TBCCTLx ; Set output mode=7
BIC #OUTMOD,&TBCCTLx ; Clear unwanted bits
```


12.2.6 Timer_B Interrupts

Two interrupt vectors are associated with the 16-bit Timer_B module:

- TBxCCR0 interrupt vector for TBxCCR0 CCIFG
- TBIV interrupt vector for all other CCIFG flags and TBIFG

In capture mode, any CCIFG flag is set when a timer value is captured in the associated TBxCCRn register. In compare mode, any CCIFG flag is set when TBxR *counts* to the associated TBxCLn value. Software may also set or clear any CCIFG flag. All CCIFG flags request an interrupt when their corresponding CCIE bit and the GIE bit are set.

12.2.6.1 TBxCCR0 Interrupt Vector

The TBxCCR0 CCIFG flag has the highest Timer_B interrupt priority and has a dedicated interrupt vector (see Figure 12-15). The TBxCCR0 CCIFG flag is automatically reset when the TBxCCR0 interrupt request is serviced.

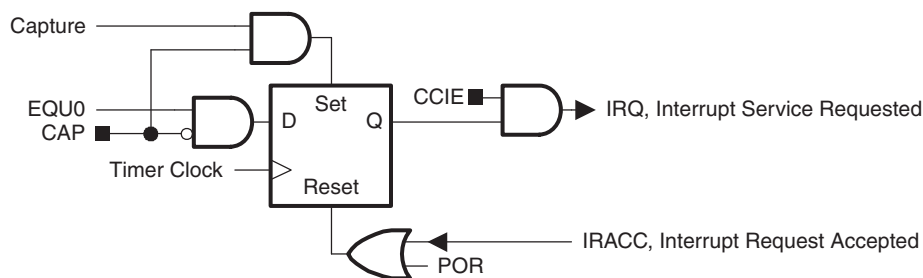


Figure 12-15. Capture/Compare TBxCCR0 Interrupt Flag

12.2.6.2 TBxIV, Interrupt Vector Generator

The TBIFG flag and TBxCCRn CCIFG flags (excluding TBxCCR0 CCIFG) are prioritized and combined to source a single interrupt vector. The interrupt vector register TBxIV is used to determine which flag requested an interrupt.

The highest-priority enabled interrupt (excluding TBxCCR0 CCIFG) generates a number in the TBxIV register (see register description). This number can be evaluated or added to the program counter to automatically enter the appropriate software routine. Disabled Timer_B interrupts do not affect the TBxIV value.

Any access, read or write, of the TBxIV register automatically resets the highest-pending interrupt flag. If another interrupt flag is set, another interrupt is immediately generated after servicing the initial interrupt. For example, if the TBxCCR1 and TBxCCR2 CCIFG flags are set when the interrupt service routine accesses the TBxIV register, TBxCCR1 CCIFG is reset automatically. After the RETI instruction of the interrupt service routine is executed, the TBxCCR2 CCIFG flag generates another interrupt.

12.2.6.3 TBxIV, Interrupt Handler Examples

The following software example shows the recommended use of TBxIV and the handling overhead. The TBxIV value is added to the PC to automatically jump to the appropriate routine. The example assumes a single instantiation of the largest timer configuration available.

The numbers at the right margin show the necessary CPU clock cycles for each instruction. The software overhead for different interrupt sources includes interrupt latency and return-from-interrupt cycles, but not the task handling itself. The latencies are:

- Capture/compare block CCR0: 11 cycles
- Capture/compare blocks CCR1 to CCR6: 16 cycles
- Timer overflow TBIFG: 14 cycles

The following software example shows the recommended use of TBxIV for Timer_B3.

```

; Interrupt handler for TB0CCR0 CCIFG.
CCIFG_0_HND
;      ...      ; Start of handler Interrupt latency    6
      RETI      ;                                       5

; Interrupt handler for TB0IFG, TB0CCR1 through TB0CCR6 CCIFG.

TB0_HND      ...      ; Interrupt latency                6
      ADD      &TB0IV,PC ; Add offset to Jump table    3
      RETI      ; Vector 0: No interrupt                5
      JMP      CCIFG_1_HND ; Vector 2: TB0CCR1          2
      JMP      CCIFG_2_HND ; Vector 4: TB0CCR2          2
      JMP      CCIFG_3_HND ; Vector 6: TB0CCR3          2
      JMP      CCIFG_4_HND ; Vector 8: TB0CCR4          2
      JMP      CCIFG_5_HND ; Vector 10: TB0CCR5         2
      JMP      CCIFG_6_HND ; Vector 12: TB0CCR6         2

TB0IFG_HND      ; Vector 14: TB0IFG Flag
      ...      ; Task starts here
      RETI      ;                                       5

CCIFG_6_HND      ; Vector 12: TB0CCR6
      ...      ; Task starts here
      RETI      ; Back to main program                5

CCIFG_5_HND      ; Vector 10: TB0CCR5
      ...      ; Task starts here
      RETI      ; Back to main program                5

CCIFG_4_HND      ; Vector 8: TB0CCR4
      ...      ; Task starts here
      RETI      ; Back to main program                5

CCIFG_3_HND      ; Vector 6: TB0CCR3
      ...      ; Task starts here
      RETI      ; Back to main program                5

CCIFG_2_HND      ; Vector 4: TB0CCR2
      ...      ; Task starts here
      RETI      ; Back to main program                5

CCIFG_1_HND      ; Vector 2: TB0CCR1
      ...      ; Task starts here
      RETI      ; Back to main program                5

```

12.3 Timer_B Registers

The Timer_B registers are listed in [Table 12-5](#). The base address can be found in the device-specific data sheet. The address offset is listed in [Table 12-5](#).

Table 12-5. Timer_B Registers

Offset	Acronym	Register Name	Type	Access	Reset	Section
00h	TBxCTL	Timer_B Control	Read/write	Word	0000h	Section 12.3.1
02h	TBxCCTL0	Timer_B Capture/Compare Control 0	Read/write	Word	0000h	Section 12.3.3
04h	TBxCCTL1	Timer_B Capture/Compare Control 1	Read/write	Word	0000h	Section 12.3.3
06h	TBxCCTL2	Timer_B Capture/Compare Control 2	Read/write	Word	0000h	Section 12.3.3
08h	TBxCCTL3	Timer_B Capture/Compare Control 3	Read/write	Word	0000h	Section 12.3.3
0Ah	TBxCCTL4	Timer_B Capture/Compare Control 4	Read/write	Word	0000h	Section 12.3.3
0Ch	TBxCCTL5	Timer_B Capture/Compare Control 5	Read/write	Word	0000h	Section 12.3.3
0Eh	TBxCCTL6	Timer_B Capture/Compare Control 6	Read/write	Word	0000h	Section 12.3.3
10h	TBxR	Timer_B Counter	Read/write	Word	0000h	Section 12.3.2
12h	TBxCCR0	Timer_B Capture/Compare 0	Read/write	Word	0000h	Section 12.3.4
14h	TBxCCR1	Timer_B Capture/Compare 1	Read/write	Word	0000h	Section 12.3.4
16h	TBxCCR2	Timer_B Capture/Compare 2	Read/write	Word	0000h	Section 12.3.4
18h	TBxCCR3	Timer_B Capture/Compare 3	Read/write	Word	0000h	Section 12.3.4
1Ah	TBxCCR4	Timer_B Capture/Compare 4	Read/write	Word	0000h	Section 12.3.4
1Ch	TBxCCR5	Timer_B Capture/Compare 5	Read/write	Word	0000h	Section 12.3.4
1Eh	TBxCCR6	Timer_B Capture/Compare 6	Read/write	Word	0000h	Section 12.3.4
2Eh	TBxIV	Timer_B Interrupt Vector	Read only	Word	0000h	Section 12.3.5
20h	TBxEX0	Timer_B Expansion 0	Read/write	Word	0000h	Section 12.3.6

12.3.1 TBxCTL Register

Timer_B x Control Register

Figure 12-16. TBxCTL Register

15	14	13	12	11	10	9	8
Reserved	TBCLGRP _x		CNTL		Reserved	TBSSEL	
rw-(0)	rw-(0)	rw-(0)	rw-(0)	rw-(0)	rw-(0)	rw-(0)	rw-(0)
7	6	5	4	3	2	1	0
ID	MC		Reserved		TBCLR	TBIE	TBIFG
rw-(0)	rw-(0)	rw-(0)	rw-(0)	rw-(0)	w-(0)	rw-(0)	rw-(0)

Table 12-6. TBxCTL Register Description

Bit	Field	Type	Reset	Description
15	Reserved	R	0h	Reserved. Always reads as 0.
14-13	TBCLGRP	RW	0h	TBxCL _n group 00b = Each TBxCL _n latch loads independently. 01b = TBxCL1+TBxCL2 (TBxCCR1 CLLD bits control the update); TBxCL3+TBxCL4 (TBxCCR3 CLLD bits control the update); TBxCL5+TBxCL6 (TBxCCR5 CLLD bits control the update); TBxCL0 independent 10b = TBxCL1+TBxCL2+TBxCL3 (TBxCCR1 CLLD bits control the update); TBxCL4+TBxCL5+TBxCL6 (TBxCCR4 CLLD bits control the update); TBxCL0 independent 11b = TBxCL0+TBxCL1+TBxCL2+TBxCL3+TBxCL4+TBxCL5+TBxCL6 (TBxCCR1 CLLD bits control the update)
12-11	CNTL	RW	0h	Counter length 00b = 16-bit, TBxR(max) = 0FFFFh 01b = 12-bit, TBxR(max) = 0FFFh 10b = 10-bit, TBxR(max) = 03FFh 11b = 8-bit, TBxR(max) = 0FFh
10	Reserved	R	0h	Reserved. Always reads as 0.
9-8	TBSSEL	RW	0h	Timer_B clock source select 00b = TBxCLK 01b = ACLK 10b = SMCLK 11b = INCLK
7-6	ID	RW	0h	Input divider. These bits, along with the TBIDEX bits, select the divider for the input clock. 00b = /1 01b = /2 10b = /4 11b = /8
5-4	MC	RW	0h	Mode control. Setting MC = 00h when Timer_B is not in use conserves power. 00b = Stop mode: Timer is halted 01b = Up mode: Timer counts up to TBxCL0 10b = Continuous mode: Timer counts up to the value set by CNTL 11b = Up/down mode: Timer counts up to TBxCL0 and down to 0000h
3	Reserved	R	0h	Reserved. Always reads as 0.
2	TBCLR	RW	0h	Timer_B clear. Setting this bit clears TBR, the clock divider logic (the divider setting remains unchanged), and the count direction. The TBCLR bit is automatically reset and is always read as zero.
1	TBIE	RW	0h	Timer_B interrupt enable. This bit enables the TBIFG interrupt request. 0b = Interrupt disabled 1b = Interrupt enabled

Table 12-6. TBxCTL Register Description (continued)

Bit	Field	Type	Reset	Description
0	TBIFG	RW	0h	Timer_B interrupt flag 0b = No interrupt pending 1b = Interrupt pending

12.3.2 TBxR Register

Timer_B x Counter Register

Figure 12-17. TBxR Register

15	14	13	12	11	10	9	8
TBxR							
rw-(0)	rw-(0)	rw-(0)	rw-(0)	rw-(0)	rw-(0)	rw-(0)	rw-(0)
7	6	5	4	3	2	1	0
TBxR							
rw-(0)	rw-(0)	rw-(0)	rw-(0)	rw-(0)	rw-(0)	rw-(0)	rw-(0)

Table 12-7. TBxR Register Description

Bit	Field	Type	Reset	Description
15-0	TBxR	RW	0h	Timer_B register. The TBxR register is the count of Timer_B.

12.3.3 TBxCCTLn Register

Timer_B x Capture/Compare Control Register n

Figure 12-18. TBxCCTLn Register

15	14	13	12	11	10	9	8
CM		CCIS		SCS	CLLD		CAP
rw-(0)	rw-(0)	rw-(0)	rw-(0)	rw-(0)	rw-(0)	rw-(0)	rw-(0)
7	6	5	4	3	2	1	0
OUTMOD			CCIE	CCI	OUT	COV	CCIFG
rw-(0)	rw-(0)	rw-(0)	rw-(0)	r	rw-(0)	rw-(0)	rw-(0)

Table 12-8. TBxCCTLn Register Description

Bit	Field	Type	Reset	Description
15-14	CM	RW	0h	Capture mode 00b = No capture 01b = Capture on rising edge 10b = Capture on falling edge 11b = Capture on both rising and falling edges
13-12	CCIS	RW	0h	Capture/compare input select. These bits select the TBxCCRn input signal. See the device-specific data sheet for specific signal connections. 00b = CCIxA 01b = CCIxB 10b = GND 11b = VCC
11	SCS	RW	0h	Synchronize capture source. This bit is used to synchronize the capture input signal with the timer clock. 0b = Asynchronous capture 1b = Synchronous capture
10-9	CLLD	RW	0h	Compare latch load. These bits select the compare latch load event. 00b = TBxCLn loads on write to TBxCCRn 01b = TBxCLn loads when TBxR counts to 0 10b = TBxCLn loads when TBxR counts to 0 (up or continuous mode). TBxCLn loads when TBxR counts to TBxCL0 or to 0 (up/down mode). 11b = TBxCLn loads when TBxR counts to TBxCLn
8	CAP	RW	0h	Capture mode 0b = Compare mode 1b = Capture mode
7-5	OUTMOD	RW	0h	Output mode. Modes 2, 3, 6, and 7 are not useful for TBxCL0 because EQU _n = EQU ₀ . 000b = OUT bit value 001b = Set 010b = Toggle/reset 011b = Set/reset 100b = Toggle 101b = Reset 110b = Toggle/set 111b = Reset/set
4	CCIE	RW	0h	Capture/compare interrupt enable. This bit enables the interrupt request of the corresponding CCIFG flag. 0b = Interrupt disabled 1b = Interrupt enabled
3	CCI	R	Undef	Capture/compare input. The selected input signal can be read by this bit.

Table 12-8. TBxCCTLn Register Description (continued)

Bit	Field	Type	Reset	Description
2	OUT	RW	0h	Output. For output mode 0, this bit directly controls the state of the output. 0b = Output low 1b = Output high
1	COV	RW	0h	Capture overflow. This bit indicates a capture overflow occurred. COV must be reset with software. 0b = No capture overflow occurred 1b = Capture overflow occurred
0	CCIFG	RW	0h	Capture/compare interrupt flag 0b = No interrupt pending 1b = Interrupt pending

12.3.4 TBxCCRn Register

Timer_B x Capture/Compare Register n

Figure 12-19. TBxCCRn Register

15	14	13	12	11	10	9	8
TBxCCRn							
rw-(0)	rw-(0)	rw-(0)	rw-(0)	rw-(0)	rw-(0)	rw-(0)	rw-(0)
7	6	5	4	3	2	1	0
TBxCCRn							
rw-(0)	rw-(0)	rw-(0)	rw-(0)	rw-(0)	rw-(0)	rw-(0)	rw-(0)

Table 12-9. TBxCCRn Register Description

Bit	Field	Type	Reset	Description
15-0	TBxCCRn	RW	0h	Timer_B capture/compare register. Compare mode: TBxCCRn holds the data for the comparison to the timer value in the Timer_B Register, TBR. Capture mode: The Timer_B Register, TBR, is copied into the TBxCCRn register when a capture is performed.

12.3.5 TBxIV Register

Timer_B x Interrupt Vector Register

Figure 12-20. TBxIV Register

15	14	13	12	11	10	9	8
TBIV							
r-(0)	r-(0)	r-(0)	r-(0)	r-(0)	r-(0)	r-(0)	r-(0)
7	6	5	4	3	2	1	0
TBIV							
r-(0)	r-(0)	r-(0)	r-(0)	r-(0)	r-(0)	r-(0)	r-(0)

Table 12-10. TBxIV Register Description

Bit	Field	Type	Reset	Description
15-0	TBIV	R	0h	Timer_B interrupt vector value 00h = No interrupt pending 02h = Interrupt Source: Capture/compare 1; Interrupt Flag: TBxCCR1 CCIFG; Interrupt Priority: Highest 04h = Interrupt Source: Capture/compare 2; Interrupt Flag: TBxCCR2 CCIFG 06h = Interrupt Source: Capture/compare 3; Interrupt Flag: TBxCCR3 CCIFG 08h = Interrupt Source: Capture/compare 4; Interrupt Flag: TBxCCR4 CCIFG 0Ah = Interrupt Source: Capture/compare 5; Interrupt Flag: TBxCCR5 CCIFG 0Ch = Interrupt Source: Capture/compare 6; Interrupt Flag: TBxCCR6 CCIFG 0Eh = Interrupt Source: Timer overflow; Interrupt Flag: TBxCTL TBIFG; Interrupt Priority: Lowest

12.3.6 TBxEX0 Register

Timer_B x Expansion Register 0

Figure 12-21. TBxEX0 Register

15	14	13	12	11	10	9	8
Reserved							
r0	r0	r0	r0	r0	r0	r0	r0
7	6	5	4	3	2	1	0
Reserved					TBIDEX ⁽¹⁾		
r0	r0	r0	r0	r0	rw-(0)	rw-(0)	rw-(0)

⁽¹⁾ After programming TBIDEX bits and configuration of the timer, set TBCLR bit to ensure proper reset of the timer divider logic.

Table 12-11. TBxEX0 Register Description

Bit	Field	Type	Reset	Description
15-3	Reserved	R	0h	Reserved. Always reads as 0.
2-0	TBIDEX	RW	0h	Input divider expansion. These bits along with the ID bits select the divider for the input clock. 000b = Divide by 1 001b = Divide by 2 010b = Divide by 3 011b = Divide by 4 100b = Divide by 5 101b = Divide by 6 110b = Divide by 7 111b = Divide by 8

Real-Time Clock B (RTC_B)

The real-time clock RTC_B module provides clock counters with calendar mode, a flexible programmable alarm, and calibration. Note that the RTC_B supports only calendar mode and not counter mode. The RTC_B also support operation in LPM3.5. See the device-specific data sheet for the supported features. This chapter describes the RTC_B module.

Topic	Page
13.1 Real-Time Clock RTC_B Introduction	381
13.2 RTC_B Operation.....	383
13.3 RTC_B Registers	388

13.1 Real-Time Clock RTC_B Introduction

The RTC_B module provides configurable clock counters.

RTC_B features include:

- Real-time clock and calendar mode providing seconds, minutes, hours, day of week, day of month, month, and year (including leap year correction)

Note that only the calendar mode is supported by RTC_B; the counter mode that is available in some other RTC modules is not supported.

- Interrupt capability
- Selectable BCD or binary format
- Programmable alarms
- Calibration logic for time offset correction
- Operation in LPM3.5

The RTC_B block diagram for devices supporting LPM3.5 is shown in [Figure 13-1](#).

NOTE: Real-time clock initialization

Most RTC_B module registers have no initial condition. These registers must be configured by user software before use.

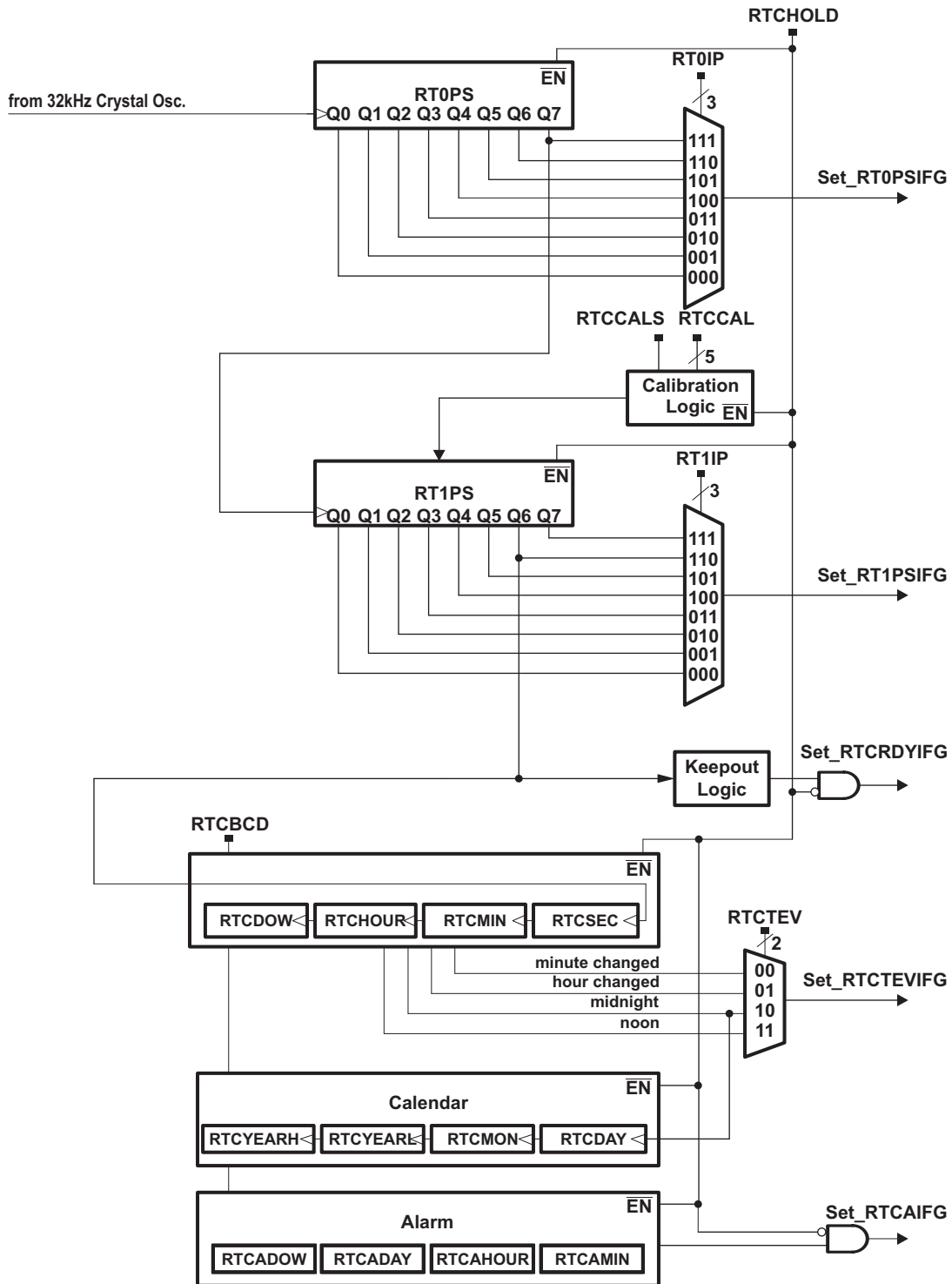


Figure 13-1. RTC_B Block Diagram

13.2 RTC_B Operation

The RTC_B module provides seconds, minutes, hours, day of week, day of month, month, and year in selectable BCD or hexadecimal format. The calendar includes a leap-year algorithm that considers all years evenly divisible by four as leap years. This algorithm is accurate from the year 1901 through 2099.

13.2.1 Real-Time Clock and Prescale Dividers

The prescale dividers, RT0PS and RT1PS, are automatically configured to provide a 1-s clock interval for the RTC_B. The low-frequency oscillator must be operated at 32768 Hz (nominal) for proper RTC_B operation. RT0PS is sourced from the low-frequency oscillator XT1. The output of RT0PS / 256 (Q7) is used to source RT1PS. RT1PS is further divider and the /128 output sources the real-time clock counter registers providing the required 1-second time interval.

When RTCBCD = 1, BCD format is selected for the calendar registers. It is possible to switch between BCD and hexadecimal format while the RTC is counting.

Setting RTCHOLD halts the real-time counters and prescale counters, RT0PS, and RT1PS.

13.2.2 Real-Time Clock Alarm Function

The RTC_B module provides for a flexible alarm system. There is a single user-programmable alarm that can be programmed based on the settings contained in the alarm registers for minutes, hours, day of week, and day of month.

Each alarm register contains an alarm enable (AE) bit that can be used to enable the respective alarm register. By setting AE bits of the various alarm registers, a variety of alarm events can be generated.

- Example 1: A user wishes to set an alarm every hour at 15 minutes past the hour (that is, at 00:15:00, 01:15:00, 02:15:00, etc). This is possible by setting RTCAMIN to 15. By setting the AE bit of the RTCAMIN and clearing all other AE bits of the alarm registers, the alarm is enabled. When enabled, the RTCAIFG is set when the count transitions from 00:14:59 to 00:15:00, 01:14:59 to 01:15:00, 02:14:59 to 02:15:00, and so on.
- Example 2: A user wishes to set an alarm every day at 04:00:00. This is possible by setting RTCAHOUR to 4. By setting the AE bit of the RTCHOUR and clearing all other AE bits of the alarm registers, the alarm is enabled. When enabled, the RTCAIFG is set when the count transitions from 03:59:59 to 04:00:00.
- Example 3: A user wishes to set an alarm for 06:30:00. RTCAHOUR would be set to 6 and RTCAMIN would be set to 30. By setting the AE bits of RTCAHOUR and RTCAMIN, the alarm is enabled. Once enabled, the RTCAIFG is set when the time count transitions from 06:29:59 to 06:30:00. In this case, the alarm event occurs every day at 06:30:00.
- Example 4: A user wishes to set an alarm every Tuesday at 06:30:00. RTCADOW would be set to 2, RTCAHOUR would be set to 6, and RTCAMIN would be set to 30. By setting the AE bits of RTCADOW, RTCAHOUR, and RTCAMIN, the alarm is enabled. Once enabled, the RTCAIFG is set when the time count transitions from 06:29:59 to 06:30:00 and the RTCDOW transitions from 1 to 2.
- Example 5: A user wishes to set an alarm the fifth day of each month at 06:30:00. RTCADAY would be set to 5, RTCAHOUR would be set to 6, and RTCAMIN would be set to 30. By setting the AE bits of RTCADAY, RTCAHOUR, and RTCAMIN, the alarm is enabled. Once enabled, the RTCAIFG is set when the time count transitions from 06:29:59 to 06:30:00 and the RTCDAY equals 5.

NOTE: Setting the alarm

Before setting an initial alarm, all alarm registers including the AE bits should be cleared.

To prevent potential erroneous alarm conditions from occurring, the alarms should be disabled by clearing the RTCAIE, RTCAIFG, and AE bits before writing initial or new time values to the RTC time registers.

NOTE: Invalid alarm settings

Invalid alarm settings are not checked by hardware. It is the user's responsibility that valid alarm settings are entered.

NOTE: Invalid time and date values

Writing of invalid date or time information or data values outside the legal ranges specified in the RTCSEC, RTCMIN, RTCHOUR, RTCDAY, RTCDOW, RTCYEAR, RTCAMIN, RTCAHOUR, RTCADAY, and RTCADOW registers can result in unpredictable behavior.

13.2.3 Reading or Writing Real-Time Clock Registers

Because the system clock may in fact be asynchronous to the RTC_B clock source, special care must be used when accessing the real-time clock registers.

The real-time clock registers are updated once per second. To prevent reading any real-time clock register at the time of an update, which could result in an invalid time being read, a keep-out window is provided. The keep-out window is centered approximately 128/32768 seconds around the update transition. The read-only RTCRDY bit is reset during the keep-out window period and set outside the keep-out the window period. Any read of the clock registers while RTCRDY is reset is considered to be potentially invalid, and the time read should be ignored.

An easy way to safely read the real-time clock registers is to utilize the RTCRDYIFG interrupt flag. Setting RTCRDYIE enables the RTCRDYIFG interrupt. Once enabled, an interrupt is generated based on the rising edge of the RTCRDY bit, causing the RTCRDYIFG to be set. At this point, the application has nearly a complete second to safely read any or all of the real-time clock registers. This synchronization process prevents reading the time value during transition. The RTCRDYIFG flag is reset automatically when the interrupt is serviced, or it can be reset with software.

NOTE: Reading or writing real-time clock registers

When the counter clock is asynchronous to the CPU clock, any read from any RTCSEC, RTCMIN, RTCHOUR, RTCDOW, RTCDAY, RTCMON, or RTCYEAR register while the RTCRDY is reset may result in invalid data being read. To safely read the counting registers, either polling of the RTCRDY bit or the synchronization procedure previously described can be used. Alternatively, the counter register can be read multiple times while operating, and a majority vote taken in software to determine the correct reading. Reading the RT0PS and RT1PS can only be handled by reading the registers multiple times and a majority vote taken in software to determine the correct reading.

Any write to any counting register takes effect immediately. However, the clock is stopped during the write. In addition, RT0PS and RT1PS registers are reset. This could result in losing up to 1 second during a write. Writing of data outside the legal ranges or invalid time stamp combinations results in unpredictable behavior.

13.2.4 Real-Time Clock Interrupts

Six sources for interrupts are available, namely RT0PSIFG, RT1PSIFG, RTCRDYIFG, RTCTEVIFG, RTCAIFG, and RTCOFIFG. These flags are prioritized and combined to source a single interrupt vector. The interrupt vector register (RTCIV) is used to determine which flag requested an interrupt.

The highest-priority enabled interrupt generates a number in the RTCIV register (see register description). This number can be evaluated or added to the program counter (PC) to automatically enter the appropriate software routine. Disabled RTC interrupts do not affect the RTCIV value.

Any access, read or write, of the RTCIV register automatically resets the highest-pending interrupt flag. If another interrupt flag is set, another interrupt is immediately generated after servicing the initial interrupt. In addition, all flags can be cleared by software.

The user-programmable alarm event sources the real-time clock interrupt, RTCAIFG. Setting RTCAIE enables the interrupt. In addition to the user-programmable alarm, the RTC_B module provides for an interval alarm that sources real-time clock interrupt, RTCTEVIFG. The interval alarm can be selected to cause an alarm event when RTCMIN changed or RTCHOUR changed, every day at midnight (00:00:00) or every day at noon (12:00:00). The event is selectable with the RTCTEV bits. Setting the RTCTEVIE bit enables the interrupt.

The RTCRDY bit sources the real-time clock interrupt, RTCRDYIFG, and is useful in synchronizing the read of time registers with the system clock. Setting the RTCRDYIE bit enables the interrupt.

RT0PSIFG can be used to generate interrupt intervals selectable by the RT0IP bits. RT0PS is sourced with low-frequency oscillator clock at 32768 Hz, so intervals of 16384 Hz, 8192 Hz, 4096 Hz, 2048 Hz, 1024 Hz, 512 Hz, 256 Hz, or 128 Hz are possible. Setting the RT0PSIE bit enables the interrupt.

RT1PSIFG can be used to generate interrupt intervals selectable by the RT1IP bits. RT1PS is sourced with the output of RT0PS, which is 128 Hz (32768/256 Hz). Therefore, intervals of 64 Hz, 32 Hz, 16 Hz, 8 Hz, 4 Hz, 2 Hz, 1 Hz, or 0.5 Hz are possible. Setting the RT1PSIE bit enables the interrupt.

NOTE: Changing RT0IP or RT1IP

Changing the settings of the interrupt interval bits RT0IP or RT1IP while the corresponding prescaler is running or is stopped in a non-zero state can result in setting the corresponding interrupt flags.

The RTCOFIFG bit flags a failure of the 32-kHz crystal oscillator. Its main purpose is to wake up the CPU from LPM3.5 if an oscillator failure occurs.

13.2.4.1 RTCIV Software Example

The following software example shows the recommended use of RTCIV and the handling overhead. The RTCIV value is added to the PC to automatically jump to the appropriate routine.

The numbers at the right margin show the necessary CPU cycles for each instruction. The software overhead for different interrupt sources includes interrupt latency and return-from-interrupt cycles, but not the task handling itself.

```

; Interrupt handler for RTC interrupt flags.

RTC_HND                                ; Interrupt latency           6
    ADD &RTCIV,PC                       ; Add offset to Jump table   3
    RETI                                 ; Vector 0: No interrupt     5
    JMP RTCRDYIFG_HND                   ; Vector 2: RTCRDYIFG       2
    JMP RTCTEVIFG_HND                   ; Vector 4: RTCTEVIFG       2
    JMP RTCAIFG_HND                     ; Vector 6: RTCAIFG         5
    JMP RT0PSIFG_HND                    ; Vector 8: RT0PSIFG        5
    JMP RT1PSIFG_HND                    ; Vector A: RT1PSIFG        5
    JMP RTCOFIFG_HND                    ; Vector C: RTCOFIFG        5
    RETI                                 ; Vector E: Reserved        5

RTCRDYIFG_HND                          ; Vector 2: RTCRDYIFG Flag
    ...                                 ; Task starts here
    RETI                                 ; Back to main program      5

RTCTEVIFG_HND                           ; Vector 4: RTCTEVIFG Flag
    ...                                 ; Task starts here
    RETI                                 ; Back to main program      5

RTCAIFG_HND                             ; Vector 6: RTCAIFG Flag
    ...                                 ; Task starts here
    RETI                                 ; Back to main program      5

RT0PSIFG_HND                            ; Vector 8: RT0PSIFG Flag

```

```

...                ; Task starts here
RETI                ; Back to main program          5

RT1PSIFG_HND       ; Vector A: RT1PSIFG Flag
...                ; Task starts here
RETI                ; Back to main program          5

RTCOFIFG_HND       ; Vector C: RTCOFIFG Flag
...                ; Task starts here
RETI                ; Back to main program          5

```

13.2.5 Real-Time Clock Calibration

The RTC_B module has calibration logic that allows for adjusting the crystal frequency in approximately +4-ppm or -2-ppm steps, allowing for higher time keeping accuracy from standard crystals. The RTCCALx bits are used to adjust the frequency. When RTCCALS is set, each RTCCALx LSB causes a $\approx +4$ -ppm adjustment. When RTCCALS is cleared, each RTCCALx LSB causes a ≈ -2 -ppm adjustment.

Calibration is accomplished by periodically adjusting the RT1PS counter based on the RTCCALS and RTCCALx settings. The RT0PS divides the nominal 37268-Hz low-frequency (LF) crystal clock input by 256. A 60-minute period has $32768 \text{ cycles/sec} \times 60 \text{ sec/min} \times 60 \text{ min} = 117964800$ cycles. Therefore, a -2-ppm reduction in frequency (down calibration) approximately equates to adding an additional 256 cycles every 117964800 cycles ($256/117964800 = 2.17$ ppm). This is accomplished by holding the RT1PS counter for one additional clock of the RT0PS output within a 60-minute period. Similarly, a +4-ppm increase in frequency (up calibration) approximately equates to removing 512 cycles every 117964800 cycle ($512/117964800 = 4.34$ ppm). This is accomplished by incrementing the RT1PS counter for two additional clocks of the RT0PS output within a 60-minute period. Each RTCCALx calibration bit causes either 256 LF crystal clock cycles to be added every 60 minutes or 512 LF crystal clock cycles to be subtracted every 60 minutes, giving a frequency adjustment of approximately -2 ppm or +4 ppm, respectively.

To calibrate the frequency, the RTCCLK output signal is available at a pin. RTCCALF bits can be used to select the frequency rate of the output signal, either no signal, 512 Hz, 256 Hz, or 1 Hz.

The basic flow to calibrate the frequency is as follows:

1. Configure the RTCCLK pin.
2. Measure the RTCCLK output signal with an appropriate resolution frequency counter ; that is, within the resolution required.
3. Compute the absolute error in ppm: $\text{Absolute error (ppm)} = |10^6 (f_{\text{MEASURED}} - f_{\text{RTCCLK}})/f_{\text{RTCCLK}}|$, where f_{RTCCLK} is the expected frequency of 512 Hz, 256 Hz, or 1 Hz.
4. Adjust the frequency by performing the following:
 - a. If the frequency is too low, set RTCCALS = 1 and apply the appropriate RTCCALx bits, where $\text{RTCCALx} = (\text{Absolute Error}) / 4.34$ rounded to the nearest integer
 - b. If the frequency is too high, clear RTCCALS = 0 and apply the appropriate RTCCALx bits, where $\text{RTCCALx} = (\text{Absolute Error}) / 2.17$ rounded to the nearest integer

For example, assume that RTCCLK is configured to output at a frequency of 512 Hz. The measured RTCCLK is 511.9658 Hz. This frequency error is approximately 66.8 ppm too low. To increase the frequency by 66.8 ppm, RTCCALS would be set, and RTCCALx would be set to 15 ($66.8 / 4.34$). Similarly, assume that the measured RTCCLK is 512.0125 Hz. The frequency error is approximately 24.4 ppm too high. To decrease the frequency by 24.4 ppm, RTCCALS would be cleared, and RTCCAL would be set to 11 ($24.4 / 2.17$).

The calibration corrects only initial offsets and does not adjust for temperature and aging effects. These effects can be handled by periodically measuring temperature and using the crystal's characteristic curve to adjust the ppm based on temperature, as required.

NOTE: Minimum Possible Calibration

The minimal calibration possible is -4 ppm or +8 ppm. For example, setting RTCCALS = 0 and RTCCAL = 0h would result in a -4 ppm decrease in frequency. Similarly, setting RTCCALS = 1 and RTCCAL = 0h would result in a +8 ppm increase in frequency.

NOTE: Calibration output frequency

The 512-Hz and 256-Hz output frequencies observed at the RTCCLK pin are not affected by changes in the calibration settings, because these output frequencies are generated before the calibration logic. The 1-Hz output frequency is affected by changes in the calibration settings. Because the frequency change is small and infrequent over a very long time interval, it can be difficult to observe.

13.2.6 Real-Time Clock Operation in LPM3.5 Low-Power Mode

The regulator of the Power Management Module (PMM) is disabled upon entering LPM3.5, which causes most of the RTC_B configuration registers to be lost; only the counters are retained. [Table 13-1](#) lists the retained registers in LPM3.5. Also the configuration of the interrupts is stored so that the configured interrupts can cause a wakeup upon exit from LPM3.5. Interrupt flags that are set before entering LPM3.5 are cleared upon entering LPM3.5 (Note: this can only happen if the corresponding interrupt is not enabled). The interrupt flags RTCTEVIFG, RTCAIFG, RT1PSIFG, and RTCOFIFG can be used as RTC_B wake-up interrupt sources. After restoring the configuration registers (and clearing LOCKLPM5) the interrupts can be serviced as usual. The detailed flow is as follows:

1. Set all I/Os to general purpose I/Os and configure as needed. Optionally configure input interrupt pins for wake-up. Configure RTC_B interrupts for wake-up (set RTCTEVIE, RTCAIE, RT1PSIE, or RTCOFIE. If the alarm interrupt is also used as wake-up event, the alarm registers must be configured as needed).
2. Enter LPMx.5 with LPMx.5 entry sequence.


```
MOV #PMMKEY + PMMREGOFF, &PMMCTL0 ; Open PMM registers for write and set PMMREGOFF
;
BIS #LPM4,SR ; Enter LPMx.5 when PMMREGOFF is set
```
3. LOCKLPM5 is automatically set by hardware upon entering LPMx.5, the core voltage regulator is disabled, and all clocks are disabled except for the 32-kHz crystal oscillator clock if the RTC is enabled with RTCHOLD = 0.
4. An LPMx.5 wake-up event, such as an edge on a wake-up input pin, or an RTC_B interrupt event will start the BOR entry sequence together with the core voltage regulator. All peripheral registers are set to their default conditions. The I/O pin state remains locked as well as the interrupt configuration for the RTC_B.
5. The device can be configured. The I/O configuration and the RTC_B interrupt configuration that was not retained during LPM3.5 should be restored to the values before entering LPM3.5. Then the LOCKLPM5 bit can be cleared, this releases the I/O pin conditions as well as the RTC_B interrupt configuration.
6. After enabling I/O and RTC_B interrupts, the interrupt that caused the wake-up can be serviced.
7. To re-enter LPMx.5, the LOCKLPM5 bit must be cleared before re-entry, otherwise LPMx.5 is not entered.

If the RTC is enabled (RTCHOLD = 0), the 32-kHz oscillator remains active during LPM3.5. The fault detection also remains functional. If a fault occurs during LPM3.5 and the RTCOFIE was set before entering LPM3.5, a wake-up event is issued.

13.3 RTC_B Registers

The RTC_B module registers are listed in [Table 13-1](#). This table also lists the retention during LPMx.5. Registers that are not retained during LPMx.5 must be restored after exit from LPMx.5. The base address for the RTC_B module registers can be found in the device-specific data sheet. The address offsets are given in [Table 13-1](#).

NOTE: Most registers have word or byte register access. For a generic register *ANYREG*, the suffix "_L" (*ANYREG_L*) refers to the lower byte of the register (bits 0 through 7). The suffix "_H" (*ANYREG_H*) refers to the upper byte of the register (bits 8 through 15).

Table 13-1. RTC_B Registers

Offset	Acronym	Register Name	Type	Access	Reset	LPMx.5 Operation
00h	RTCCTL01	Real-Time Clock Control 0, 1	Read/write	Word	7000h	not retained
00h	RTCCTL0 or RTCCTL01_L	Real-Time Clock Control 0	Read/write	Byte	00h	not retained
01h	RTCCTL1 or RTCCTL01_H	Real-Time Clock Control 1	Read/write	Byte	70h	not retained
02h	RTCCTL23	Real-Time Clock Control 2, 3	Read/write	Word	0000h	retained
02h	RTCCTL2 or RTCCTL23_L	Real-Time Clock Control 2	Read/write	Byte	00h	retained
03h	RTCCTL3 or RTCCTL23_H	Real-Time Clock Control 3	Read/write	Byte	00h	retained
08h	RTCPS0CTL	Real-Time Prescale Timer 0 Control	Read/write	Word	0000h	not retained
08h	RTCPS0CTLL or RTCPS0CTL_L		Read/write	Byte	00h	not retained
09h	RTCPS0CTLH or RTCPS0CTL_H		Read/write	Byte	00h	not retained
0Ah	RTCPS1CTL	Real-Time Prescale Timer 1 Control	Read/write	Word	0000h	not retained
0Ah	RTCPS1CTLL or RTCPS1CTL_L		Read/write	Byte	00h	not retained
0Bh	RTCPS0CTLH or RTCPS0CTL_H		Read/write	Byte	00h	not retained
0Ch	RTCPS	Real-Time Prescale Timer 0, 1 Counter	Read/write	Word	none	retained
0Ch	RT0PS or RTCPS_L	Real-Time Prescale Timer 0 Counter	Read/write	Byte	none	retained
0Dh	RT1PS or RTCPS_H	Real-Time Prescale Timer 1 Counter	Read/write	Byte	none	retained
0Eh	RTCIV	Real Time Clock Interrupt Vector	Read	Word	0000h	not retained
10h	RTCTIM0	Real-Time Clock Seconds, Minutes	Read/write	Word	undefined	retained
10h	RTCSEC or RTCTIM0_L	Real-Time Clock Seconds	Read/write	Byte	undefined	retained
11h	RTCMIN or RTCTIM0_H	Real-Time Clock Minutes	Read/write	Byte	undefined	retained
12h	RTCTIM1	Real-Time Clock Hour, Day of Week	Read/write	Word	undefined	retained
12h	RTCHOUR or RTCTIM1_L	Real-Time Clock Hour	Read/write	Byte	undefined	retained
13h	RTCDOW or RTCTIM1_H	Real-Time Clock Day of Week	Read/write	Byte	undefined	retained

Table 13-1. RTC_B Registers (continued)

Offset	Acronym	Register Name	Type	Access	Reset	LPMx.5 Operation
14h	RTCDATE	Real-Time Clock Date	Read/write	Word	undefined	retained
14h	RTCDA Y or RTCDATE_L	Real-Time Clock Day of Month	Read/write	Byte	undefined	retained
15h	RTCMON or RTCDATE_H	Real-Time Clock Month	Read/write	Byte	undefined	retained
16h	RTCYEAR	Real-Time Clock Year ⁽¹⁾	Read/write	Word	undefined	retained
18h	RTCAMINHR	Real-Time Clock Minutes, Hour Alarm	Read/write	Word	undefined	retained
18h	RTCAMIN or RTCAMINHR_L	Real-Time Clock Minutes Alarm	Read/write	Byte	undefined	retained
19h	RTCAHOUR or RTCAMINHR_H	Real-Time Clock Hours Alarm	Read/write	Byte	undefined	retained
1Ah	RTCADOWDAY	Real-Time Clock Day of Week, Day of Month Alarm	Read/write	Word	undefined	retained
1Ah	RTCADOW or RTCADOWDAY_L	Real-Time Clock Day of Week Alarm	Read/write	Byte	undefined	retained
1Bh	RTCADAY or RTCADOWDAY_H	Real-Time Clock Day of Month Alarm	Read/write	Byte	undefined	retained
1Ch	BIN2BCD	Binary-to-BCD Conversion Register	Read/write	Word	00h	not retained
1Eh	BCD2BIN	BCD-to-Binary Conversion Register	Read/write	Word	00h	not retained

⁽¹⁾ Do not access the RTCYEAR register in byte mode.

13.3.1 RTCCTL0 Register

Real-Time Clock Control 0 Register

Figure 13-2. RTCCTL0 Register

7	6	5	4	3	2	1	0
RTCOFIE ⁽¹⁾	RTCTEVIE ⁽¹⁾	RTCAIE ⁽¹⁾	RTCRDYIE	RTCOFIG	RTCTEVIFG	RTCAIFG	RTCRDYIFG
rw-0	rw-0	rw-0	rw-0	rw-(0)	rw-(0)	rw-(0)	rw-(0)

⁽¹⁾ The configuration of these bits is retained during LPMx.5 until LOCKLPM5 is cleared, but not the register bits itself; therefore, reconfiguration after wake-up from LPMx.5 before clearing LOCKLPM5 is required.

Table 13-2. RTCCTL0 Register Description

Bit	Field	Type	Reset	Description
7	RTCOFIE	RW	0h	32-kHz crystal oscillator fault interrupt enable. This interrupt can be used as LPMx.5 wake-up event. 0b = Interrupt not enabled 1b = Interrupt enabled (LPMx.5 wake-up enabled)
6	RTCTEVIE	RW	0h	Real-time clock time event interrupt enable. In modules supporting LPMx.5 this interrupt can be used as LPMx.5 wake-up event. 0b = Interrupt not enabled 1b = Interrupt enabled (LPMx.5 wake-up enabled)
5	RTCAIE	RW	0h	Real-time clock alarm interrupt enable. In modules supporting LPMx.5 this interrupt can be used as LPMx.5 wake-up event. 0b = Interrupt not enabled 1b = Interrupt enabled (LPMx.5 wake-up enabled)
4	RTCRDYIE	RW	0h	Real-time clock ready interrupt enable. 0b = Interrupt not enabled 1b = Interrupt enabled
3	RTCOFIG	RW	0h	32-kHz crystal oscillator fault interrupt flag. This interrupt can be used as LPMx.5 wake-up event. 0b = No interrupt pending 1b = Interrupt pending. A 32-kHz crystal oscillator fault occurred after last reset.
2	RTCTEVIFG	RW	0h	Real-time clock time event interrupt flag. In modules supporting LPMx.5 this interrupt can be used as LPMx.5 wake-up event. 0b = No time event occurred 1b = Time event occurred
1	RTCAIFG	RW	0h	Real-time clock alarm interrupt flag. In modules supporting LPMx.5 this interrupt can be used as LPMx.5 wake-up event. 0b = No time event occurred 1b = Time event occurred
0	RTCRDYIFG	RW	0h	Real-time clock ready interrupt flag 0b = RTC cannot be read safely 1b = RTC can be read safely

13.3.2 RTCCTL1 Register

Real-Time Clock Control Register 1

Figure 13-3. RTCCTL1 Register

7	6	5	4	3	2	1	0
RTCBCD	RTCHOLD ⁽¹⁾	Reserved	RTCRDY	Reserved		RTCTEVx ⁽¹⁾	
rw-(0)	rw-(1)	r1	r-(1)	r0	r0	rw-(0)	rw-(0)

⁽¹⁾ The configuration of these bits is retained during LPMx.5 until LOCKLPM5 is cleared, but not the register bits itself; therefore, reconfiguration after wake-up from LPMx.5 before clearing LOCKLPM5 is required.

Table 13-3. RTCCTL1 Register Description

Bit	Field	Type	Reset	Description
7	RTCBCD	RW	0h	Real-time clock BCD select. Selects BCD counting for real-time clock. 0b = Binary-hexadecimal code selected 1b = BCD Binary coded decimal (BCD) code selected
6	RTCHOLD	RW	1h	Real-time clock hold 0b = Real-time clock is operational. 1b = The calendar is stopped as well as the prescale counters, RT0PS, and RT1PS.
5	Reserved	R	1h	Reserved. Always read as 1.
4	RTCRDY	RW	1h	Real-time clock ready 0b = RTC time values in transition 1b = RTC time values safe for reading. This bit indicates when the real-time clock time values are safe for reading.
3-2	Reserved	R	0h	Reserved. Always read as 0.
1-0	RTCTEVx	RW	0h	Real-time clock time interrupt event 00b = Minute changed 01b = Hour changed 10b = Every day at midnight (00:00) 11b = Every day at noon (12:00)

13.3.3 RTCCTL2 Register

Real-Time Clock Control 2 Register

Figure 13-4. RTCCTL2 Register

7	6	5	4	3	2	1	0
RTCCALS	Reserved	RTCCALx					
rw-(0)	r0	rw-(0)	rw-(0)	rw-(0)	rw-(0)	rw-(0)	rw-(0)

Table 13-4. RTCCTL2 Register Description

Bit	Field	Type	Reset	Description
7	RTCCALS	RW	0h	Real-time clock calibration sign 0b = Frequency adjusted down 1b = Frequency adjusted up
6	Reserved	R	0h	Reserved. Always read as 0.
5-0	RTCCALx	RW	0h	Real-time clock calibration. Each LSB represents approximately +4-ppm (RTCCALS = 1) or a -2-ppm (RTCCALS = 0) adjustment in frequency.

13.3.4 RTCCTL3 Register

Real-Time Clock Control 3 Register

Figure 13-5. RTCCTL3 Register

7	6	5	4	3	2	1	0
Reserved						RTCCALFx	
r0	r0	r0	r0	r0	r0	rw-(0)	rw-(0)

Table 13-5. RTCCTL3 Register Description

Bit	Field	Type	Reset	Description
7-2	Reserved	R	0h	Reserved. Always read as 0.
1-0	RTCCALFx	RW	0h	Real-time clock calibration frequency. Selects frequency output to RTCCLK pin for calibration measurement. The corresponding port must be configured for the peripheral module function. 00b = No frequency output to RTCCLK pin 01b = 512 Hz 10b = 256 Hz 11b = 1 Hz

13.3.5 RTCSEC Register – Hexadecimal Format

Real-Time Clock Seconds Register – Hexadecimal Format

Figure 13-6. RTCSEC Register

7	6	5	4	3	2	1	0
0	0	Seconds					
r-0	r-0	rw	rw	rw	rw	rw	rw

Table 13-6. RTCSEC Register Description

Bit	Field	Type	Reset	Description
7-6	0	R	0h	Always reads as 0.
5-0	Seconds	RW	undefined	Seconds. Valid values are 0 to 59.

13.3.6 RTCSEC Register – BCD Format

Real-Time Clock Seconds Register – BCD Format

Figure 13-7. RTCSEC Register

7	6	5	4	3	2	1	0
0	Seconds – high digit			Seconds – low digit			
r-0	rw	rw	rw	rw	rw	rw	rw

Table 13-7. RTCSEC Register Description

Bit	Field	Type	Reset	Description
7	0	R	0h	Always reads as 0.
6-4	Seconds – high digit	RW	undefined	Seconds – high digit. Valid values are 0 to 5.
3-0	Seconds – low digit	RW	undefined	Seconds – low digit. Valid values are 0 to 9.

13.3.7 RTCMIN Register – Hexadecimal Format

Real-Time Clock Minutes Register – Hexadecimal Format

Figure 13-8. RTCMIN Register

7	6	5	4	3	2	1	0
0	0	Minutes					
r-0	r-0	rw	rw	rw	rw	rw	rw

Table 13-8. RTCMIN Register Description

Bit	Field	Type	Reset	Description
7-6	0	R	0h	Always reads as 0.
5-0	Minutes	RW	undefined	Minutes. Valid values are 0 to 59.

13.3.8 RTCMIN Register – BCD Format

Real-Time Clock Minutes Register – BCD Format

Figure 13-9. RTCMIN Register

7	6	5	4	3	2	1	0
0	Minutes – high digit			Minutes – low digit			
r-0	rw	rw	rw	rw	rw	rw	rw

Table 13-9. RTCMIN Register Description

Bit	Field	Type	Reset	Description
7	0	R	0h	Always reads as 0.
6-4	Minutes – high digit	RW	undefined	Minutes – high digit. Valid values are 0 to 5.
3-0	Minutes – low digit	RW	undefined	Minutes – low digit. Valid values are 0 to 9.

13.3.9 RTCHOUR Register – Hexadecimal Format

Real-Time Clock Hours Register – Hexadecimal Format

Figure 13-10. RTCHOUR Register

7	6	5	4	3	2	1	0
0	0	0	Hours				
r-0	r-0	r-0	rw	rw	rw	rw	rw

Table 13-10. RTCHOUR Register Description

Bit	Field	Type	Reset	Description
7-5	0	R	0h	Always reads as 0.
4-0	Hours	RW	undefined	Hours. Valid values are 0 to 23.

13.3.10 RTCHOUR Register – BCD Format

Real-Time Clock Hours Register – BCD Format

Figure 13-11. RTCHOUR Register

7	6	5	4	3	2	1	0
0	0	Hours – high digit		Hours – low digit			
r-0	r-0	rw	rw	rw	rw	rw	rw

Table 13-11. RTCHOUR Register Description

Bit	Field	Type	Reset	Description
7-6	0	R	0h	Always reads as 0.
5-4	Hours – high digit	RW	undefined	Hours – high digit. Valid values are 0 to 2.
3-0	Hours – low digit	RW	undefined	Hours – low digit. Valid values are 0 to 9.

13.3.11 RTCDOW Register

Real-Time Clock Day of Week Register

Figure 13-12. RTCDOW Register

7	6	5	4	3	2	1	0
0	0	0	0	0	Day of week		
r-0	r-0	r-0	r-0	r-0	rw	rw	rw

Table 13-12. RTCDOW Register Description

Bit	Field	Type	Reset	Description
7-3	0	R	0h	Always reads as 0.
2-0	Day of week	RW	undefined	Day of week. Valid values are 0 to 6.

13.3.12 RTCDAY Register – Hexadecimal Format

Real-Time Clock Day of Month Register – Hexadecimal Format

Figure 13-13. RTCDAY Register

7	6	5	4	3	2	1	0
0	0	0	Day of month				
r-0	r-0	r-0	rw	rw	rw	rw	rw

Table 13-13. RTCDAY Register Description

Bit	Field	Type	Reset	Description
7-5	0	R	0h	Always reads as 0.
4-0	Day of month	RW	undefined	Day of month. Valid values are 1 to 31.

13.3.13 RTCDAY Register – BCD Format

Real-Time Clock Day of Month Register – BCD Format

Figure 13-14. RTCDAY Register

7	6	5	4	3	2	1	0
0	0	Day of month – high digit		Day of month – low digit			
r-0	r-0	rw	rw	rw	rw	rw	rw

Table 13-14. RTCDAY Register Description

Bit	Field	Type	Reset	Description
7-6	0	R	0h	Always reads as 0.
5-4	Day of month – high digit	RW	undefined	Day of month – high digit. Valid values are 0 to 3.
3-0	Day of month – low digit	RW	undefined	Day of month – low digit. Valid values are 0 to 9.

13.3.14 RTCMON Register – Hexadecimal Format

Real-Time Clock Month Register – Hexadecimal Format

Figure 13-15. RTCMON Register

7	6	5	4	3	2	1	0
0	0	0	0	Month			
r-0	r-0	r-0	r-0	rw	rw	rw	rw

Table 13-15. RTCMON Register Description

Bit	Field	Type	Reset	Description
7-4	0	R	0h	Always reads as 0.
3-0	Month	RW	undefined	Month. Valid values are 1 to 12.

13.3.15 RTCMON Register – BCD Format

Real-Time Clock Month Register

Figure 13-16. RTCMON Register

7	6	5	4	3	2	1	0
0	0	0	Month – high digit	Month – low digit			
r-0	r-0	r-0	rw	rw	rw	rw	rw

Table 13-16. RTCMON Register Description

Bit	Field	Type	Reset	Description
7-5	0	R	0h	Always reads as 0.
4	Month – high digit	RW	undefined	Month – high digit. Valid values are 0 or 1.
3-0	Month – low digit	RW	undefined	Month – low digit. Valid values are 0 to 9.

13.3.16 RTCYEAR Register – Hexadecimal Format

Real-Time Clock Year Register – Hexadecimal Format

Figure 13-17. RTCYEAR Register

15	14	13	12	11	10	9	8
0	0	0	0	Year – high byte			
r-0	r-0	r-0	r-0	rw	rw	rw	rw
7	6	5	4	3	2	1	0
rw	rw	rw	rw	rw	rw	rw	rw

Table 13-17. RTCYEAR Register Description

Bit	Field	Type	Reset	Description
15-12	0	R	0h	Always reads as 0.
11-8	Year – high byte	RW	undefined	Year – high byte. Valid values of Year are 0 to 4095.
7-0	Year – low byte	RW	undefined	Year – low byte. Valid values of Year are 0 to 4095.

13.3.17 RTCYEAR Register – BCD Format

Real-Time Clock Year Register – BCD Format

Figure 13-18. RTCYEAR Register

15	14	13	12	11	10	9	8
0	Century – high digit			Century – low digit			
r-0	rw	rw	rw	rw	rw	rw	rw
7	6	5	4	3	2	1	0
Decade				Year – lowest digit			
rw	rw	rw	rw	rw	rw	rw	rw

Table 13-18. RTCYEAR Register Description

Bit	Field	Type	Reset	Description
15	0	R	0h	Always reads as 0.
14-12	Century – high digit	RW	undefined	Century – high digit . Valid values are 0 to 4.
11-8	Century – low digit	RW	undefined	Century – low digit. Valid values are 0 to 9.
7-4	Decade	RW	undefined	Decade. Valid values are 0 to 9.
3-0	Year – lowest digit	RW	undefined	Year – lowest digit. Valid values are 0 to 9.

13.3.18 RTCAMIN Register – Hexadecimal Format

Real-Time Clock Minutes Alarm Register – Hexadecimal Format

Figure 13-19. RTCAMIN Register

7	6	5	4	3	2	1	0
AE	0	Minutes					
rw	r-0	rw	rw	rw	rw	rw	rw

Table 13-19. RTCAMIN Register Description

Bit	Field	Type	Reset	Description
7	AE	RW	undefined	Alarm enable 0b = This alarm register is disabled 1b = This alarm register is enabled
6	0	R	0h	Always reads as 0.
5-0	Minutes	RW	undefined	Minutes. Valid values are 0 to 59.

13.3.19 RTCAMIN Register – BCD Format

Real-Time Clock Minutes Alarm Register – BCD Format

Figure 13-20. RTCAMIN Register

7	6	5	4	3	2	1	0
AE	Minutes – high digit			Minutes – low digit			
rw	rw	rw	rw	rw	rw	rw	rw

Table 13-20. RTCAMIN Register Description

Bit	Field	Type	Reset	Description
7	AE	RW	undefined	Alarm enable 0b = This alarm register is disabled 1b = This alarm register is enabled
6-4	Minutes – high digit	RW	undefined	Minutes – high digit. Valid values are 0 to 5.
3-0	Minutes – low digit	RW	undefined	Minutes – low digit. Valid values are 0 to 9.

13.3.20 RTCAHOUR Register – Hexadecimal Format

Real-Time Clock Hours Alarm Register – Hexadecimal Format

Figure 13-21. RTCAHOUR Register

7	6	5	4	3	2	1	0
AE	0	0	Hours				
rw	r-0	r-0	rw	rw	rw	rw	rw

Table 13-21. RTCAHOUR Register Description

Bit	Field	Type	Reset	Description
7	AE	RW	undefined	Alarm enable 0b = This alarm register is disabled 1b = This alarm register is enabled
6-5	0	R	0h	Always reads as 0.
4-0	Hours	RW	undefined	Hours. Valid values are 0 to 23.

13.3.21 RTCAHOUR Register – BCD Format

Real-Time Clock Hours Alarm Register – BCD Format

Figure 13-22. RTCAHOUR Register

7	6	5	4	3	2	1	0
AE	0	Hours – high digit		Hours – low digit			
rw	r-0	rw	rw	rw	rw	rw	rw

Table 13-22. RTCAHOUR Register Description

Bit	Field	Type	Reset	Description
7	AE	RW	undefined	Alarm enable 0b = This alarm register is disabled 1b = This alarm register is enabled
6	0	R	0h	Always reads as 0.
5-4	Hours – high digit	RW	undefined	Hours – high digit. Valid values are 0 to 2.
3-0	Hours – low digit	RW	undefined	Hours – low digit. Valid values are 0 to 9.

13.3.22 RTCADOW Register

Real-Time Clock Day of Week Alarm Register

Figure 13-23. RTCADOW Register

7	6	5	4	3	2	1	0
AE	0	0	0	0	Day of week		
rw	r-0	r-0	r-0	r-0	rw	rw	rw

Table 13-23. RTCADOW Register Description

Bit	Field	Type	Reset	Description
7	AE	RW	undefined	Alarm enable 0b = This alarm register is disabled 1b = This alarm register is enabled
6-3	0	R	0h	Always reads as 0.
2-0	Day of week	RW	undefined	Day of week. Valid values are 0 to 6.

13.3.23 RTCADAY Register – Hexadecimal Format

Real-Time Clock Day of Month Alarm Register – Hexadecimal Format

Figure 13-24. RTCADAY Register

7	6	5	4	3	2	1	0
AE	0	0	Day of month				
rw	r-0	r-0	rw	rw	rw	rw	rw

Table 13-24. RTCADAY Register Description

Bit	Field	Type	Reset	Description
7	AE	RW	undefined	Alarm enable 0b = This alarm register is disabled 1b = This alarm register is enabled
6-5	0	R	0h	Always reads as 0.
4-0	Day of month	RW	undefined	Day of month. Valid values are 1 to 31.

13.3.24 RTCADAY Register – BCD Format

Real-Time Clock Day of Month Alarm Register – BCD Format

Figure 13-25. RTCADAY Register

7	6	5	4	3	2	1	0
AE	0	Day of month – high digit		Day of month – low digit			
rw	r-0	rw	rw	rw	rw	rw	rw

Table 13-25. RTCADAY Register Description

Bit	Field	Type	Reset	Description
7	AE	RW	undefined	Alarm enable 0b = This alarm register is disabled 1b = This alarm register is enabled
6	0	R	0h	Always reads as 0.
5-4	Day of month – high digit	RW	undefined	Day of month – high digit. Valid values are 0 to 3.
3-0	Day of month – low digit	RW	undefined	Day of month – low digit. Valid values are 0 to 9.

13.3.25 RTCPS0CTL Register

Real-Time Clock Prescale Timer 0 Control Register

Figure 13-26. RTCPS0CTL Register

15	14	13	12	11	10	9	8
Reserved							
r0	r0	r0	r0	r0	r0	r0	r0
7	6	5	4	3	2	1	0
Reserved			RT0IPx ⁽¹⁾			RT0PSIE	RT0PSIFG
r0	r0	r0	rw-(0)	rw-(0)	rw-(0)	rw-0	rw-(0)

⁽¹⁾ The configuration of these bits is retained during LPMx.5 until LOCKLPM5 is cleared, but not the register bits itself; therefore, reconfiguration after wake-up from LPMx.5 before clearing LOCKLPM5 is required.

Table 13-26. RTCPS0CTL Register Description

Bit	Field	Type	Reset	Description
15-5	Reserved	R	0h	Reserved. Always reads as 0.
4-2	RT0IPx	RW	0h	Prescale timer 0 interrupt interval 000b = Divide by 2 001b = Divide by 4 010b = Divide by 8 011b = Divide by 16 100b = Divide by 32 101b = Divide by 64 110b = Divide by 128 111b = Divide by 256
1	RT0PSIE	RW	0h	Prescale timer 0 interrupt enable 0b = Interrupt not enabled 1b = Interrupt enabled
0	RT0PSIFG	RW	0h	Prescale timer 0 interrupt flag 0b = No time event occurred 1b = Time event occurred

13.3.26 RTCPS1CTL Register

Real-Time Clock Prescale Timer 1 Control Register

Figure 13-27. RTCPS1CTL Register

15	14	13	12	11	10	9	8
Reserved							
r0	r0	r0	r0	r0	r0	r0	r0
7	6	5	4	3	2	1	0
Reserved			RT1IPx ⁽¹⁾			RT1PSIE ⁽¹⁾	RT1PSIFG
r0	r0	r0	rw-(0)	rw-(0)	rw-(0)	rw-0	rw-(0)

⁽¹⁾ The configuration of these bits is retained during LPMx.5 until LOCKLPM5 is cleared, but not the register bits themselves; therefore, reconfiguration after wake-up from LPMx.5 before clearing LOCKLPM5 is required.

Table 13-27. RTCPS1CTL Register Description

Bit	Field	Type	Reset	Description
15-5	Reserved	R	0h	Reserved. Always reads as 0.
4-2	RT1IPx	RW	0h	Prescale timer 1 interrupt interval 000b = Divide by 2 001b = Divide by 4 010b = Divide by 8 011b = Divide by 16 100b = Divide by 32 101b = Divide by 64 110b = Divide by 128 111b = Divide by 256
1	RT1PSIE	RW	0h	Prescale timer 1 interrupt enable 0b = Interrupt not enabled 1b = Interrupt enabled (LPMx.5 wake-up enabled)
0	RT1PSIFG	RW	0h	Prescale timer 1 interrupt flag. In modules supporting LPMx.5 this interrupt can be used as LPMx.5 wake-up event. 0b = No time event occurred 1b = Time event occurred

13.3.27 RTCPS0 Register

Real-Time Clock Prescale Timer 0 Counter Register

Figure 13-28. RTCPS0 Register

7	6	5	4	3	2	1	0
RT0PS							
rw	rw	rw	rw	rw	rw	rw	rw

Table 13-28. RTCPS0 Register Description

Bit	Field	Type	Reset	Description
7-0	RT0PS	RW	undefined	Prescale timer 0 counter value

13.3.28 RTCPS1 Register

Real-Time Clock Prescale Timer 1 Counter Register

Figure 13-29. RTCPS1 Register

7	6	5	4	3	2	1	0
RT1PS							
rw	rw	rw	rw	rw	rw	rw	rw

Table 13-29. RTCPS1 Register Description

Bit	Field	Type	Reset	Description
7-0	RT1PS	RW	undefined	Prescale timer 1 counter value

13.3.29 RTCIV Register

Real-Time Clock Interrupt Vector Register

Figure 13-30. RTCIV Register

15	14	13	12	11	10	9	8
RTCIVx							
r0	r0	r0	r0	r0	r0	r0	r0
7	6	5	4	3	2	1	0
RTCIVx							
r0	r0	r0	r0	r-(0)	r-(0)	r-(0)	r0

Table 13-30. RTCIV Register Description

Bit	Field	Type	Reset	Description
15-0	RTCIVx	R	0h	Real-time clock interrupt vector value 00h = No interrupt pending 02h = Interrupt Source: RTC ready; Interrupt Flag: RTCRDYIFG; Interrupt Priority: Highest 04h = Interrupt Source: RTC interval timer; Interrupt Flag: RTCTEVIFG 06h = Interrupt Source: RTC user alarm; Interrupt Flag: RTCAIFG 08h = Interrupt Source: RTC prescaler 0; Interrupt Flag: RT0PSIFG 0Ah = Interrupt Source: RTC prescaler 1; Interrupt Flag: RT1PSIFG 0Ch = Interrupt Source: RTC oscillator failure; Interrupt Flag: RTCOFIFG 0Eh = Reserved; Interrupt Priority: Lowest

13.3.30 BIN2BCD Register

Binary-to-BCD Conversion Register

Figure 13-31. BIN2BCD Register

15	14	13	12	11	10	9	8
BIN2BCDx							
rw-0	rw-0	rw-0	rw-0	rw-0	rw-0	rw-0	rw-0
7	6	5	4	3	2	1	0
BIN2BCDx							
rw-0	rw-0	rw-0	rw-0	rw-0	rw-0	rw-0	rw-0

Table 13-31. BIN2BCD Register Description

Bit	Field	Type	Reset	Description
15-0	BIN2BCDx	RW	0h	Read: 16-bit BCD conversion of previously written 12-bit binary number Write: 12-bit binary number to be converted

13.3.31 BCD2BIN Register

BCD-to-Binary Conversion Register

Figure 13-32. BCD2BIN Register

15	14	13	12	11	10	9	8
BCD2BINx							
rw-0	rw-0	rw-0	rw-0	rw-0	rw-0	rw-0	rw-0
7	6	5	4	3	2	1	0
BCD2BINx							
rw-0	rw-0	rw-0	rw-0	rw-0	rw-0	rw-0	rw-0

Table 13-32. BCD2BIN Register Description

Bit	Field	Type	Reset	Description
15-0	BCD2BINx	RW	0h	Read: 12-bit binary conversion of previously written 16-bit BCD number Write: 16-bit BCD number to be converted

32-Bit Hardware Multiplier (MPY32)

This chapter describes the 32-bit hardware multiplier (MPY32). The MPY32 module is implemented in all devices.

Topic	Page
14.1 32-Bit Hardware Multiplier (MPY32) Introduction	409
14.2 MPY32 Operation	411
14.3 MPY32 Registers	423

14.1 32-Bit Hardware Multiplier (MPY32) Introduction

The MPY32 is a peripheral and is not part of the CPU. This means its activities do not interfere with the CPU activities. The multiplier registers are peripheral registers that are loaded and read with CPU instructions.

The MPY32 supports:

- Unsigned multiply
- Signed multiply
- Unsigned multiply accumulate
- Signed multiply accumulate
- 8-bit, 16-bit, 24-bit, and 32-bit operands
- Saturation
- Fractional numbers
- 8-bit and 16-bit operation compatible with 16-bit hardware multiplier
- 8-bit and 24-bit multiplications without requiring a "sign extend" instruction

The MPY32 block diagram is shown in [Figure 14-1](#).

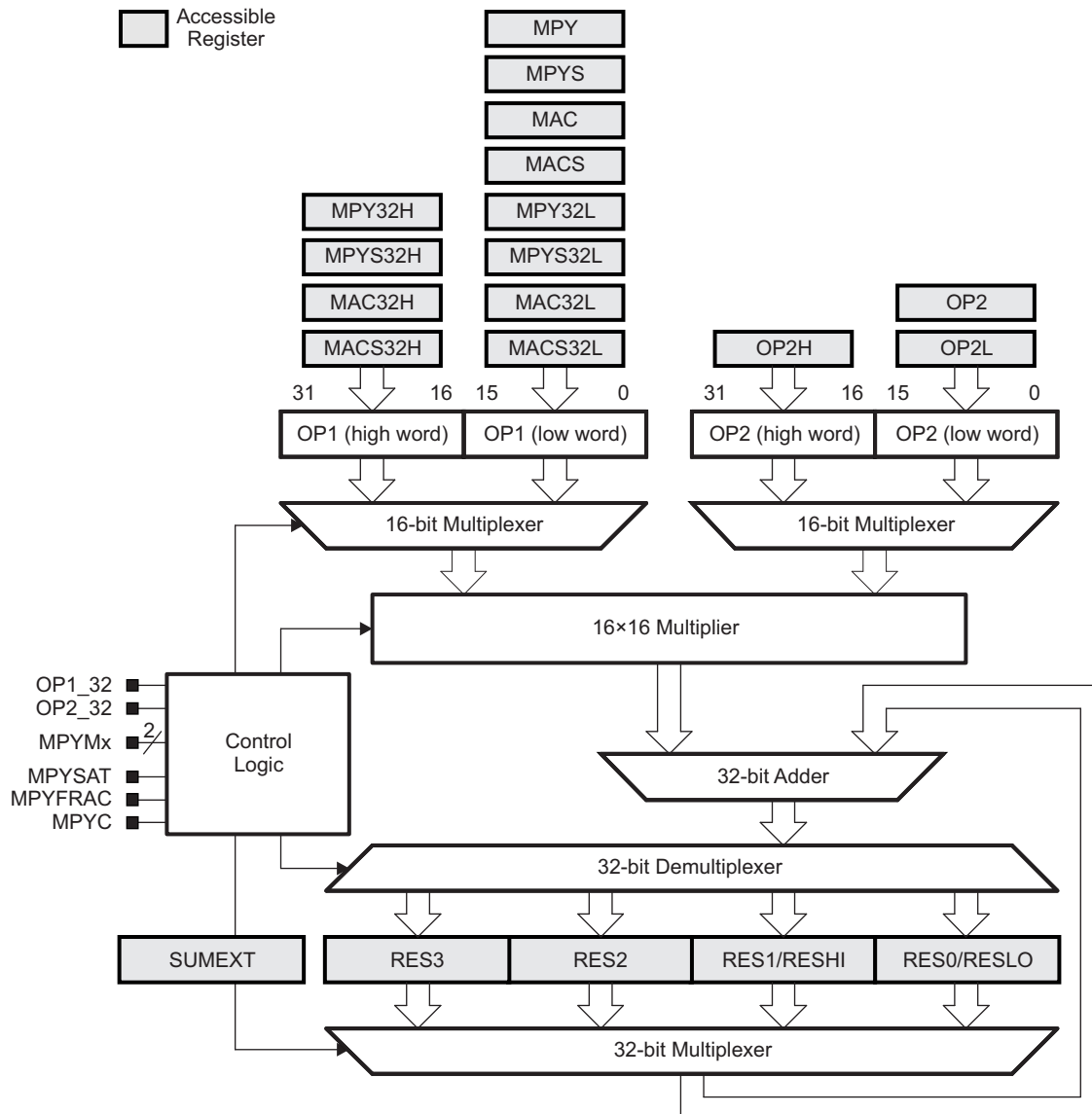


Figure 14-1. MPY32 Block Diagram

14.2 MPY32 Operation

The MPY32 supports 8-bit, 16-bit, 24-bit, and 32-bit operands with unsigned multiply, signed multiply, unsigned multiply-accumulate, and signed multiply-accumulate operations. The size of the operands are defined by the address the operand is written to and if it is written as word or byte. The type of operation is selected by the address the first operand is written to.

The hardware multiplier has two 32-bit operand registers – operand one (OP1) and operand two (OP2), and a 64-bit result register accessible through registers RES0 to RES3. For compatibility with the 16×16 hardware multiplier, the result of a 8-bit or 16-bit operation is accessible through RESLO, RESHI, and SUMEXT, as well. RESLO stores the low word of the 16×16-bit result, RESHI stores the high word of the result, and SUMEXT stores information about the result.

The result of a 8-bit or 16-bit operation is ready in three MCLK cycles and can be read with the next instruction after writing to OP2, except when using an indirect addressing mode to access the result. When using indirect addressing for the result, a `NOP` is required before the result is ready.

The result of a 24-bit or 32-bit operation can be read with successive instructions after writing OP2 or OP2H starting with RES0, except when using an indirect addressing mode to access the result. When using indirect addressing for the result, a `NOP` is required before the result is ready.

[Table 14-1](#) summarizes when each word of the 64-bit result is available for the various combinations of operand sizes. With a 32-bit-wide second operand, OP2L and OP2H must be written. Depending on when the two 16-bit parts are written, the result availability may vary; thus, the table shows two entries, one for OP2L written and one for OP2H written. The worst case defines the actual result availability.

Table 14-1. Result Availability (MPYFRAC = 0, MPYSAT = 0)

Operation (OP1 × OP2)	Result Ready in MCLK Cycles					After
	RES0	RES1	RES2	RES3	MPYC Bit	
8/16 × 8/16	3	3	4	4	3	OP2 written
24/32 × 8/16	3	5	6	7	7	OP2 written
8/16 × 24/32	3	5	6	7	7	OP2L written
	N/A	3	4	4	4	OP2H written
24/32 × 24/32	3	8	10	11	11	OP2L written
	N/A	3	5	6	6	OP2H written

14.2.1 Operand Registers

Operand one (OP1) has 12 registers (see [Table 14-2](#)) used to load data into the multiplier and also select the multiply mode. Writing the low word of the first operand to a given address selects the type of multiply operation to be performed, but does not start any operation. When writing a second word to a high-word register with suffix 32H, the multiplier assumes a 32-bit-wide OP1, otherwise, 16 bits are assumed. The last address written prior to writing OP2 defines the width of the first operand. For example, if MPY32L is written first followed by MPY32H, all 32 bits are used and the data width of OP1 is set to 32 bits. If MPY32H is written first followed by MPY32L, the multiplication ignores MPY32H and assumes a 16-bit-wide OP1 using the data written into MPY32L.

Repeated multiply operations may be performed without reloading OP1 if the OP1 value is used for successive operations. It is not necessary to rewrite the OP1 value to perform the operations.

Table 14-2. OP1 Registers

OP1 Register	Operation
MPY	Unsigned multiply – operand bits 0 up to 15
MPYS	Signed multiply – operand bits 0 up to 15
MAC	Unsigned multiply accumulate –operand bits 0 up to 15
MACS	Signed multiply accumulate – operand bits 0 up to 15
MPY32L	Unsigned multiply – operand bits 0 up to 15
MPY32H	Unsigned multiply – operand bits 16 up to 31
MPYS32L	Signed multiply – operand bits 0 up to 15
MPYS32H	Signed multiply – operand bits 16 up to 31
MAC32L	Unsigned multiply accumulate – operand bits 0 up to 15
MAC32H	Unsigned multiply accumulate – operand bits 16 up to 31
MACS32L	Signed multiply accumulate – operand bits 0 up to 15
MACS32H	Signed multiply accumulate – operand bits 16 up to 31

Writing the second operand to the OP2 initiates the multiply operation. Writing OP2 starts the selected operation with a 16-bit-wide second operand together with the values stored in OP1. Writing OP2L starts the selected operation with a 32-bit-wide second operand and the multiplier expects a the high word to be written to OP2H. Writing to OP2H without a preceding write to OP2L is ignored.

Table 14-3. OP2 Registers

OP2 Register	Operation
OP2	Start multiplication with 16-bit-wide OP2 – operand bits 0 up to 15
OP2L	Start multiplication with 32-bit-wide OP2 – operand bits 0 up to 15
OP2H	Continue multiplication with 32-bit-wide OP2 – operand bits 16 up to 31

For 8-bit or 24-bit operands, the operand registers can be accessed with byte instructions. Accessing the multiplier with a byte instruction during a signed operation automatically causes a sign extension of the byte within the multiplier module. For 24-bit operands, only the high word should be written as byte. If the 24-bit operands are sign-extended as defined by the register, that is used to write the low word to, because this register defines if the operation is unsigned or signed.

The high-word of a 32-bit operand remains unchanged when changing the size of the operand to 16 bit, either by modifying the operand size bits or by writing to the respective operand register. During the execution of the 16-bit operation, the content of the high-word is ignored.

NOTE: Changing of first or second operand during multiplication

By default, changing OP1 or OP2 while the selected multiply operation is being calculated renders any results invalid that are not ready at the time the new operands are changed. Writing OP2 or OP2L aborts any ongoing calculation and starts a new operation. Results that are not ready at that time are also invalid for following MAC or MACS operations.

To avoid this behavior, the MPYDLYWRITEN bit can be set to 1. Then, all writes to any MPY32 registers are delayed with MPYDLY32 = 0 until the 64-bit result is ready or with MPYDLY32 = 1 until the 32-bit result is ready. For MAC and MACS operations, the complete 64-bit result should always be ready.

See [Table 14-1](#) for how many CPU cycles are needed until a certain result register is ready and valid for each of the different modes.

14.2.2 Result Registers

The multiplication result is always 64 bits wide. It is accessible through registers RES0 to RES3. Used with a signed operation, MPYS or MACS, the results are appropriately sign extended. If the result registers are loaded with initial values before a MACS operation, the user software must take care that the written value is properly sign extended to 64 bits.

NOTE: Changing of result registers during multiplication

The result registers must not be modified by the user software after writing the second operand into OP2 or OP2L until the initiated operation is completed.

In addition to RES0 to RES3, for compatibility with the 16×16 hardware multiplier, the 32-bit result of a 8-bit or 16-bit operation is accessible through RESLO, RESHI, and SUMEXT. In this case, the result low register RESLO holds the lower 16 bits of the calculation result and the result high register RESHI holds the upper 16 bits. RES0 and RES1 are identical to RESLO and RESHI, respectively, in usage and access of calculated results.

The sum extension register SUMEXT contents depend on the multiply operation and are listed in [Table 14-4](#). If all operands are 16 bits wide or less, the 32-bit result is used to determine sign and carry. If one of the operands is larger than 16 bits, the 64-bit result is used.

The MPYC bit reflects the multiplier's carry as listed in [Table 14-4](#) and, thus, can be used as 33rd or 65th bit of the result, if fractional or saturation mode is not selected. With MAC or MACS operations, the MPYC bit reflects the carry of the 32-bit or 64-bit accumulation and is not taken into account for successive MAC and MACS operations as the 33rd or 65th bit.

Table 14-4. SUMEXT and MPYC Contents

Mode	SUMEXT	MPYC
MPY	SUMEXT is always 0000h.	MPYC is always 0.
MPYS	SUMEXT contains the extended sign of the result. 00000h = Result was positive or zero 0FFFFh = Result was negative	MPYC contains the sign of the result. 0 = Result was positive or zero 1 = Result was negative
MAC	SUMEXT contains the carry of the result. 0000h = No carry for result 0001h =	MPYC contains the carry of the result. 0 = No carry for result 1 = Result has a carry
MACS	SUMEXT contains the extended sign of the result. 00000h = Result was positive or zero 0FFFFh = Result was negative	MPYC contains the carry of the result. 0 = No carry for result 1 = Result has a carry

14.2.2.1 MACS Underflow and Overflow

The multiplier does not automatically detect underflow or overflow in MACS mode. For example, working with 16-bit input data and 32-bit results (that is, using only RESLO and RESHI), the available range for positive numbers is 0 to 07FFF FFFFh and for negative numbers is 0FFFF FFFFh to 08000 0000h. An underflow occurs when the sum of two negative numbers yields a result that is in the range for a positive number. An overflow occurs when the sum of two positive numbers yields a result that is in the range for a negative number.

The SUMEXT register contains the sign of the result in both cases described above, 0FFFFh for a 32-bit overflow and 0000h for a 32-bit underflow. The MPYC bit in MPY32CTL0 can be used to detect the overflow condition. If the carry is different from the sign reflected by the SUMEXT register, an overflow or underflow occurred. User software must handle these conditions appropriately.

14.2.3 Software Examples

Examples for all multiplier modes follow. All 8x8 modes use the absolute address for the registers, because the assembler does not allow .B access to word registers when using the labels from the standard definitions file.

There is no sign extension necessary in software. Accessing the multiplier with a byte instruction during a signed operation automatically causes a sign extension of the byte within the multiplier module.

```

; 32x32 Unsigned Multiply
    MOV    #01234h,&MPY32L    ; Load low word of 1st operand
    MOV    #01234h,&MPY32H    ; Load high word of 1st operand
    MOV    #05678h,&OP2L     ; Load low word of 2nd operand
    MOV    #05678h,&OP2H     ; Load high word of 2nd operand
;    ...                      ; Process results

; 16x16 Unsigned Multiply
    MOV    #01234h,&MPY      ; Load 1st operand
    MOV    #05678h,&OP2     ; Load 2nd operand
;    ...                      ; Process results

; 8x8 Unsigned Multiply. Absolute addressing.
    MOV.B  #012h,&MPY_B     ; Load 1st operand
    MOV.B  #034h,&OP2_B     ; Load 2nd operand
;    ...                      ; Process results

; 32x32 Signed Multiply
    MOV    #01234h,&MPYS32L  ; Load low word of 1st operand
    MOV    #01234h,&MPYS32H  ; Load high word of 1st operand
    MOV    #05678h,&OP2L     ; Load low word of 2nd operand
    MOV    #05678h,&OP2H     ; Load high word of 2nd operand
;    ...                      ; Process results

; 16x16 Signed Multiply
    MOV    #01234h,&MPYS     ; Load 1st operand
    MOV    #05678h,&OP2     ; Load 2nd operand
;    ...                      ; Process results

; 8x8 Signed Multiply. Absolute addressing.
    MOV.B  #012h,&MPYS_B    ; Load 1st operand
    MOV.B  #034h,&OP2_B    ; Load 2nd operand
;    ...                      ; Process results
  
```

14.2.4 Fractional Numbers

The MPY32 provides support for fixed-point signal processing. In fixed-point signal processing, fractional numbers are numbers that have a fixed number of digits after (and sometimes also before) the radix point. To classify different ranges of binary fixed-point numbers, a Q-format is used. Different Q-formats represent different locations of the radix point. Figure 14-2 shows the format of a signed Q15 number using 16 bits. Every bit after the radix point has a resolution of 1/2, and the most significant bit (MSB) is used as the sign bit. The most negative number is 08000h and the maximum positive number is 07FFFh. This gives a range from -1.0 to 0.999969482 ≈ 1.0 for the signed Q15 format with 16 bits.

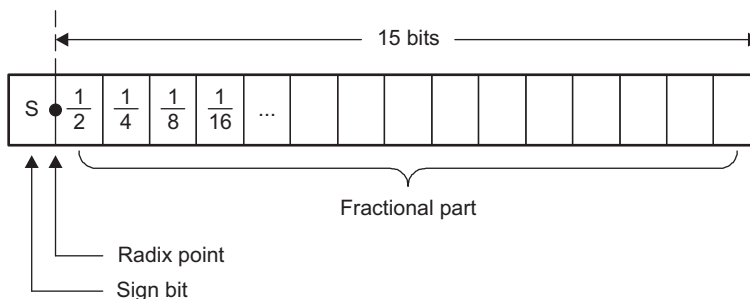


Figure 14-2. Q15 Format Representation

The range can be increased by shifting the radix point to the right as shown in Figure 14-3. The signed Q14 format with 16 bits gives a range from -2.0 to 1.999938965 ≈ 2.0.

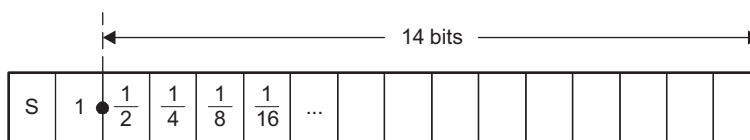


Figure 14-3. Q14 Format Representation

The benefit of using 16-bit signed Q15 or 32-bit signed Q31 numbers with multiplication is that the product of two numbers in the range from -1.0 to 1.0 is always in that same range.

14.2.4.1 Fractional Number Mode

Multiplying two fractional numbers using the default multiplication mode with MPYFRAC = 0 and MPYSAT = 0 gives a result with two sign bits. For example, if two 16-bit Q15 numbers are multiplied, a 32-bit result in Q30 format is obtained. To convert the result into Q15 format manually, the first 15 trailing bits and the extended sign bit must be removed. However, when the fractional mode of the multiplier is used, the redundant sign bit is automatically removed, yielding a result in Q31 format for the multiplication of two 16-bit Q15 numbers. Reading the result register RES1 gives the result as 16-bit Q15 number. The 32-bit Q31 result of a multiplication of two 32-bit Q31 numbers is accessed by reading registers RES2 and RES3.

The fractional mode is enabled with MPYFRAC = 1 in register MPY32CTL0. The actual content of the result registers is not modified when MPYFRAC = 1. When the result is accessed using software, the value is left shifted one bit, resulting in the final Q formatted result. This allows user software to switch between reading both the shifted (fractional) and the unshifted result. The fractional mode should only be enabled when required and disabled after use.

In fractional mode, the SUMEXT register contains the sign extended bits 32 and 33 of the shifted result for 16x16-bit operations and bits 64 and 65 for 32x32-bit operations – not only bits 32 or 64, respectively.

The MPYC bit is not affected by the fractional mode. It always reads the carry of the nonfractional result.

```

; Example using
; Fractional 16x16 multiplication
BIS      #MPYFRAC,&MPY32CTL0 ; Turn on fractional mode
MOV      &FRACT1,&MPYS      ; Load 1st operand as Q15
MOV      &FRACT2,&OP2       ; Load 2nd operand as Q15
MOV      &RES1,&PROD        ; Save result as Q15
BIC      #MPYFRAC,&MPY32CTL0 ; Back to normal mode
    
```

Table 14-5. Result Availability in Fractional Mode (MPYFRAC = 1, MPYSAT = 0)

Operation (OP1 × OP2)	Result Ready in MCLK Cycles					After
	RES0	RES1	RES2	RES3	MPYC Bit	
8/16 × 8/16	3	3	4	4	3	OP2 written
24/32 × 8/16	3	5	6	7	7	OP2 written
8/16 × 24/32	3	5	6	7	7	OP2L written
	N/A	3	4	4	4	OP2H written
24/32 × 24/32	3	8	10	11	11	OP2L written
	N/A	3	5	6	6	OP2H written

14.2.4.2 Saturation Mode

The multiplier prevents overflow and underflow of signed operations in saturation mode. The saturation mode is enabled with MPYSAT = 1 in register MPY32CTL0. If an overflow occurs, the result is set to the most-positive value available. If an underflow occurs, the result is set to the most-negative value available. This is useful to reduce mathematical artifacts in control systems on overflow and underflow conditions. The saturation mode should only be enabled when required and disabled after use.

The actual content of the result registers is not modified when MPYSAT = 1. When the result is accessed using software, the value is automatically adjusted to provide the most-positive or most-negative result when an overflow or underflow has occurred. The adjusted result is also used for successive multiply-and-accumulate operations. This allows user software to switch between reading the saturated and the nonsaturated result.

With 16×16 operations, the saturation mode only applies to the least significant 32 bits; that is, the result registers RES0 and RES1. Using the saturation mode in MAC or MACS operations that mix 16×16 operations with 32×32, 16×32, or 32×16 operations leads to unpredictable results.

With 32×32, 16×32, and 32×16 operations, the saturated result can only be calculated when RES3 is ready.

Enabling the saturation mode does not affect the content of the SUMEXT register nor the content of the MPYC bit.

```

; Example using
; Fractional 16x16 multiply accumulate with Saturation
; Turn on fractional and saturation mode:
BIS      #MPYSAT+MPYFRAC,&MPY32CTL0
MOV      &A1,&MPYS          ; Load A1 for 1st term
MOV      &K1,&OP2           ; Load K1 to get A1*K1
MOV      &A2,&MACS          ; Load A2 for 2nd term
MOV      &K2,&OP2           ; Load K2 to get A2*K2
MOV      &RES1,&PROD        ; Save A1*K1+A2*K2 as result
BIC      #MPYSAT+MPYFRAC,&MPY32CTL0 ; turn back to normal
    
```


Table 14-6. Result Availability in Saturation Mode (MPYSAT = 1)

Operation (OP1 × OP2)	Result Ready in MCLK Cycles					After
	RES0	RES1	RES2	RES3	MPYC Bit	
8/16 × 8/16	3	3	N/A	N/A	3	OP2 written
24/32 × 8/16	7	7	7	7	7	OP2 written
8/16 × 24/32	7	7	7	7	7	OP2L written
	4	4	4	4	4	OP2H written
24/32 × 24/32	11	11	11	11	11	OP2L written
	6	6	6	6	6	OP2H written

Figure 14-4 shows the flow for 32-bit saturation used for 16×16 bit multiplications and the flow for 64-bit saturation used in all other cases. Primarily, the saturated results depends on the carry bit MPYC and the MSB of the result. Secondly, if the fractional mode is enabled, it depends also on the two MSBs of the unshift result, that is, the result that is read with fractional mode disabled.

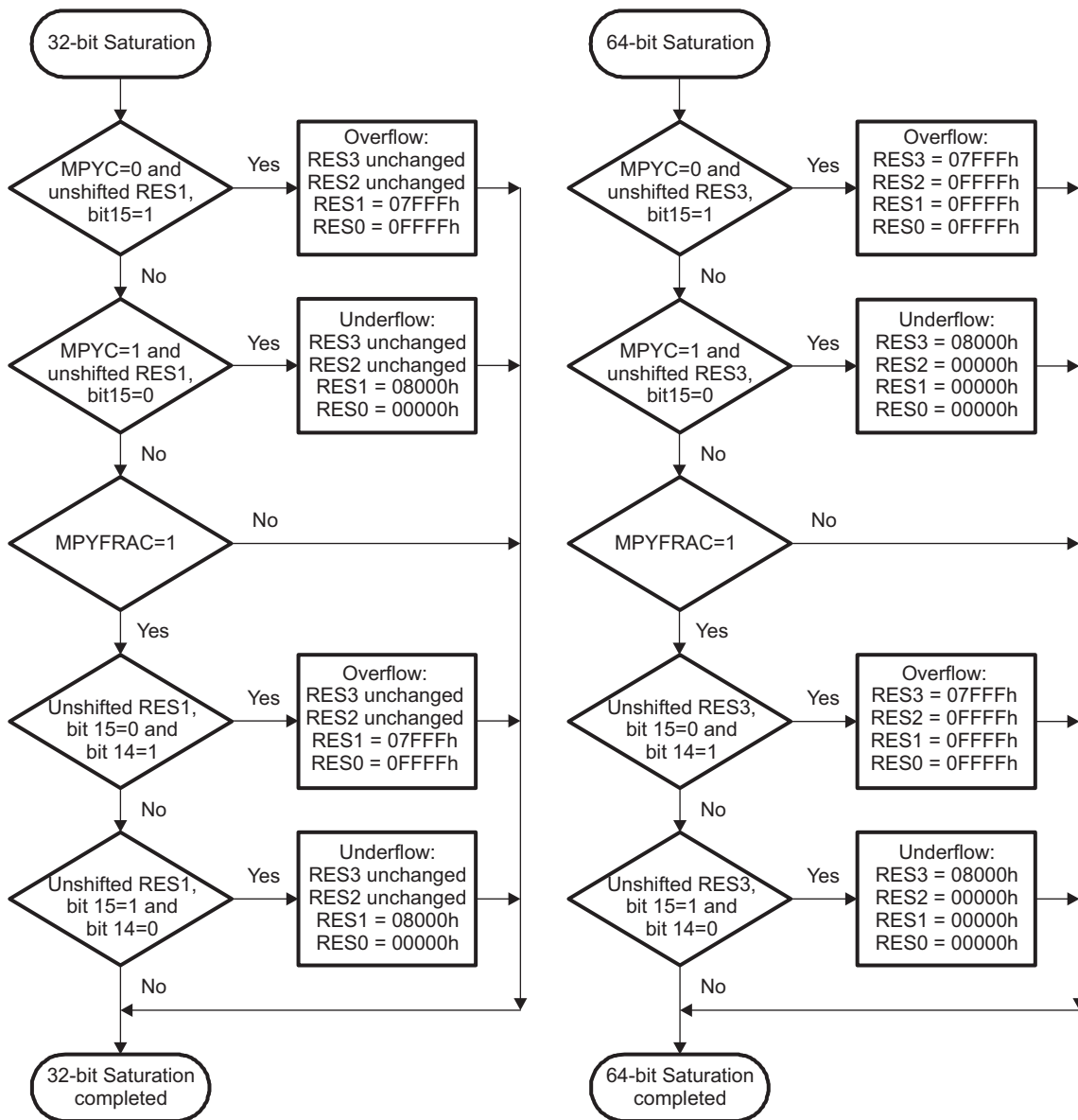


Figure 14-4. Saturation Flow Chart

NOTE: Saturation in fractional mode

In case of multiplying -1.0×-1.0 in fractional mode, the result of $+1.0$ is out of range, thus, the saturated result gives the most positive result.

When using multiply-and-accumulate operations, the accumulated values are saturated as if $MPYFRAC = 0$; only during read accesses to the result registers the values are saturated taking the fractional mode into account. This provides additional dynamic range during the calculation and only the end result is then saturated if needed.

The following example illustrates a special case showing the saturation function in fractional mode. It also uses the 8-bit functionality of the MPY32 module.

```

; Turn on fractional and saturation mode,
; clear all other bits in MPY32CTL0:
MOV      #MPYSAT+MPYFRAC,&MPY32CTL0
;Pre-load result registers to demonstrate overflow
MOV      #0,&RES3      ;
MOV      #0,&RES2      ;
MOV      #07FFFh,&RES1  ;
MOV      #0FA60h,&RES0  ;
MOV.B    #050h,&MACS_B  ; 8-bit signed MAC operation
MOV.B    #012h,&OP2_B   ; Start 16x16 bit operation
MOV      &RES0,R6      ; R6 = 0FFFFh
MOV      &RES1,R7      ; R7 = 07FFFh
  
```

The result is saturated because already the result not converted into a fractional number shows an overflow. The multiplication of the two positive numbers $00050h$ and $00012h$ gives $005A0h$. $005A0h$ added to $07FFF\ FA60h$ results in $8000\ 059Fh$, without $MPYC$ being set. Because the MSB of the unmodified result $RES1$ is 1 and $MPYC = 0$, the result is saturated according [Figure 14-4](#).

NOTE: Validity of saturated result

The saturated result is valid only if the registers $RES0$ to $RES3$, the size of $OP1$ and $OP2$, and $MPYC$ are not modified.

If the saturation mode is used with a preloaded result, user software must ensure that $MPYC$ in the $MPY32CTL0$ register is loaded with the sign bit of the written result; otherwise, the saturation mode erroneously saturates the result.

14.2.5 Putting It All Together

[Figure 14-5](#) shows the complete multiplication flow, depending on the various selectable modes for the MPY32 module.

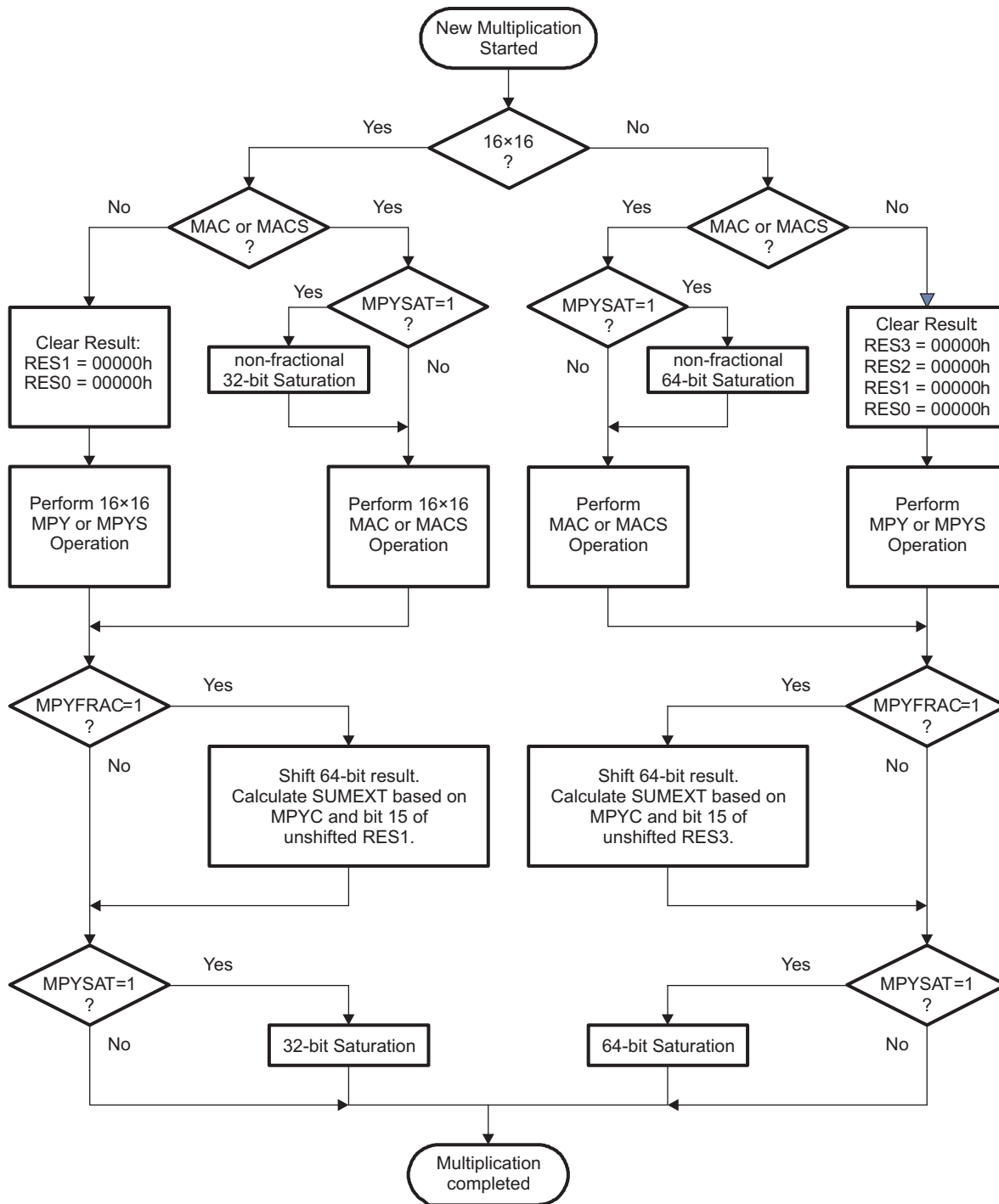


Figure 14-5. Multiplication Flow Chart

Given the separation in processing of 16-bit operations (32-bit results) and 32-bit operations (64-bit results) by the module, it is important to understand the implications when using MAC/MACS operations and mixing 16-bit operands or results with 32-bit operands or results. User software must address these points during use when mixing these operations. The following code illustrates the issue.

```

; Mixing 32x24 multiplication with 16x16 MACS operation
MOV     #MPYSAT,&MPY32CTL0    ; Saturation mode
MOV     #052C5h,&MPY32L      ; Load low word of 1st operand
MOV     #06153h,&MPY32H      ; Load high word of 1st operand
MOV     #001ABh,&OP2L        ; Load low word of 2nd operand
MOV.B   #023h,&OP2H_B        ; Load high word of 2nd operand
; ... 5 NOPs required

MOV     &RES0,R6             ; R6 = 00E97h
MOV     &RES1,R7             ; R7 = 0A6EAh
MOV     &RES2,R8             ; R8 = 04F06h
MOV     &RES3,R9             ; R9 = 0000Dh
; Note that MPYC = 0!

MOV     #0CCC3h,&MACS        ; Signed MAC operation
MOV     #0FFB6h,&OP2         ; 16x16 bit operation
MOV     &RESLO,R6           ; R6 = 0FFFFh
MOV     &RESHI,R7           ; R7 = 07FFFh

```

The second operation gives a saturated result because the 32-bit value used for the 16x16-bit MACS operation was already saturated when the operation was started; the carry bit MPYC was 0 from the previous operation, but the MSB in result register RES1 is set. As one can see in the flow chart, the content of the result registers are saturated for multiply-and-accumulate operations after starting a new operation based on the previous results, but depending on the size of the result (32 bit or 64 bit) of the newly initiated operation.

The saturation before the multiplication can cause issues if the MPYC bit is not properly set as the following code shows.

```

;Pre-load result registers to demonstrate overflow
MOV     #0,&RES3             ;
MOV     #0,&RES2             ;
MOV     #0,&RES1             ;
MOV     #0,&RES0             ;
; Saturation mode and set MPYC:
MOV     #MPYSAT+MPYC,&MPY32CTL0
MOV.B   #082h,&MACS_B        ; 8-bit signed MAC operation
MOV.B   #04Fh,&OP2_B         ; Start 16x16 bit operation
MOV     &RES0,R6             ; R6 = 00000h
MOV     &RES1,R7             ; R7 = 08000h

```

Even though the result registers were loaded with all zeros, the final result is saturated. This is because the MPYC bit was set, causing the result used for the multiply-and-accumulate to be saturated to 08000 0000h. Adding a negative number to it would again cause an underflow, thus, the final result is also saturated to 08000 0000h.

14.2.6 Indirect Addressing of Result Registers

When using indirect or indirect autoincrement addressing mode to access the result registers and the multiplier requires three cycles until result availability according to [Table 14-1](#), at least one instruction is needed between loading the second operand and accessing the result registers:

```
; Access multiplier 16x16 results with indirect addressing
MOV    #RES0,R5          ; RES0 address in R5 for indirect
MOV    &OPER1,&MPY        ; Load 1st operand
MOV    &OPER2,&OP2        ; Load 2nd operand
NOP                                ; Need one cycle
MOV    @R5+,&xxx          ; Move RES0
MOV    @R5,&xxx           ; Move RES1
```

In case of a 32x16 multiplication, there is also one instruction required between reading the first result register RES0 and the second result register RES1:

```
; Access multiplier 32x16 results with indirect addressing
MOV    #RES0,R5          ; RES0 address in R5 for indirect
MOV    &OPER1L,&MPY32L    ; Load low word of 1st operand
MOV    &OPER1H,&MPY32H    ; Load high word of 1st operand
MOV    &OPER2,&OP2        ; Load 2nd operand (16 bits)
NOP                                ; Need one cycle
MOV    @R5+,&xxx          ; Move RES0
NOP                                ; Need one additional cycle
MOV    @R5,&xxx           ; Move RES1
                                ; No additional cycles required!
MOV    @R5,&xxx           ; Move RES2
```

14.2.7 Using Interrupts

If an interrupt occurs after writing OP, but before writing OP2, and the multiplier is used in servicing that interrupt, the original multiplier mode selection is lost and the results are unpredictable. To avoid this, disable interrupts before using the MPY32, do not use the MPY32 in interrupt service routines, or use the save and restore functionality of the MPY32.

```
; Disable interrupts before using the hardware multiplier
DINT                                ; Disable interrupts
NOP                                ; Required for DINT
MOV    #xxh,&MPY          ; Load 1st operand
MOV    #xxh,&OP2          ; Load 2nd operand
EINT                                ; Interrupts may be enabled before
                                ; processing results if result
                                ; registers are stored and restored in
                                ; interrupt service routines
```

14.2.7.1 Save and Restore

If the multiplier is used in interrupt service routines, its state can be saved and restored using the MPY32CTL0 register. The following code example shows how the complete multiplier status can be saved and restored to allow interruptible multiplications together with the usage of the multiplier in interrupt service routines. Because the state of the MPYSAT and MPYFRAC bits are unknown, they should be cleared before the registers are saved as shown in the code example.

```

; Interrupt service routine using multiplier
MPY_USING_ISR
  PUSH  &MPY32CTL0      ; Save multiplier mode, etc.
  BIC   #MPYSAT+MPYFRAC,&MPY32CTL0
                          ; Clear MPYSAT+MPYFRAC

  PUSH  &RES3           ; Save result 3
  PUSH  &RES2           ; Save result 2
  PUSH  &RES1           ; Save result 1
  PUSH  &RES0           ; Save result 0
  PUSH  &MPY32H         ; Save operand 1, high word
  PUSH  &MPY32L         ; Save operand 1, low word
  PUSH  &OP2H           ; Save operand 2, high word
  PUSH  &OP2L           ; Save operand 2, low word
                          ;
  ...                    ; Main part of ISR
                          ; Using standard MPY routines
                          ;

  POP   &OP2L           ; Restore operand 2, low word
  POP   &OP2H           ; Restore operand 2, high word
                          ; Starts dummy multiplication but
                          ; result is overwritten by
                          ; following restore operations:

  POP   &MPY32L         ; Restore operand 1, low word
  POP   &MPY32H         ; Restore operand 1, high word
  POP   &RES0           ; Restore result 0
  POP   &RES1           ; Restore result 1
  POP   &RES2           ; Restore result 2
  POP   &RES3           ; Restore result 3
  POP   &MPY32CTL0     ; Restore multiplier mode, etc.
  reti                    ; End of interrupt service routine

```

14.2.8 Using DMA

In devices with a DMA controller, the multiplier can trigger a transfer when the complete result is available. The DMA controller needs to start reading the result with MPY32RES0 successively up to MPY32RES3. Not all registers need to be read. The trigger timing is such that the DMA controller starts reading MPY32RES0 when its ready, and that the MPY32RES3 can be read exactly in the clock cycle when it is available to allow the fastest access through the DMA. The signal into the DMA controller is 'Multiplier ready' (see the *DMA Controller* chapter for details).

14.3 MPY32 Registers

MPY32 registers are listed in [Table 14-7](#). The base address can be found in the device-specific data sheet. The address offsets are listed in [Table 14-7](#).

NOTE: All registers have word or byte register access. For a generic register *ANYREG*, the suffix "_L" (*ANYREG_L*) refers to the lower byte of the register (bits 0 through 7). The suffix "_H" (*ANYREG_H*) refers to the upper byte of the register (bits 8 through 15).

Table 14-7. MPY32 Registers

Offset	Acronym	Register Name	Type	Access	Reset
00h	MPY	16-bit operand one – multiply	Read/write	Word	Undefined
00h	MPY_L		Read/write	Byte	Undefined
01h	MPY_H		Read/write	Byte	Undefined
00h	MPY_B	8-bit operand one – multiply	Read/write	Byte	Undefined
02h	MPYS	16-bit operand one – signed multiply	Read/write	Word	Undefined
02h	MPYS_L		Read/write	Byte	Undefined
03h	MPYS_H		Read/write	Byte	Undefined
02h	MPYS_B	8-bit operand one – signed multiply	Read/write	Byte	Undefined
04h	MAC	16-bit operand one – multiply accumulate	Read/write	Word	Undefined
04h	MAC_L		Read/write	Byte	Undefined
05h	MAC_H		Read/write	Byte	Undefined
04h	MAC_B	8-bit operand one – multiply accumulate	Read/write	Byte	Undefined
06h	MACS	16-bit operand one – signed multiply accumulate	Read/write	Word	Undefined
06h	MACS_L		Read/write	Byte	Undefined
07h	MACS_H		Read/write	Byte	Undefined
06h	MACS_B	8-bit operand one – signed multiply accumulate	Read/write	Byte	Undefined
08h	OP2	16-bit operand two	Read/write	Word	Undefined
08h	OP2_L		Read/write	Byte	Undefined
09h	OP2_H		Read/write	Byte	Undefined
08h	OP2_B	8-bit operand two	Read/write	Byte	Undefined
0Ah	RESLO	16x16-bit result low word	Read/write	Word	Undefined
0Ah	RESLO_L		Read/write	Byte	Undefined
0Ch	RESHI	16x16-bit result high word	Read/write	Word	Undefined
0Eh	SUMEXT	16x16-bit sum extension register	Read	Word	Undefined
10h	MPY32L	32-bit operand 1 – multiply – low word	Read/write	Word	Undefined
10h	MPY32L_L		Read/write	Byte	Undefined
11h	MPY32L_H		Read/write	Byte	Undefined
12h	MPY32H	32-bit operand 1 – multiply – high word	Read/write	Word	Undefined
12h	MPY32H_L		Read/write	Byte	Undefined
13h	MPY32H_H		Read/write	Byte	Undefined
12h	MPY32H_B	24-bit operand 1 – multiply – high byte	Read/write	Byte	Undefined
14h	MPYS32L	32-bit operand 1 – signed multiply – low word	Read/write	Word	Undefined
14h	MPYS32L_L		Read/write	Byte	Undefined
15h	MPYS32L_H		Read/write	Byte	Undefined
16h	MPYS32H	32-bit operand 1 – signed multiply – high word	Read/write	Word	Undefined
16h	MPYS32H_L		Read/write	Byte	Undefined
17h	MPYS32H_H		Read/write	Byte	Undefined
16h	MPYS32H_B	24-bit operand 1 – signed multiply – high byte	Read/write	Byte	Undefined
18h	MAC32L	32-bit operand 1 – multiply accumulate – low word	Read/write	Word	Undefined

Table 14-7. MPY32 Registers (continued)

Offset	Acronym	Register Name	Type	Access	Reset
18h	MAC32L_L		Read/write	Byte	Undefined
19h	MAC32L_H		Read/write	Byte	Undefined
1Ah	MAC32H	32-bit operand 1 – multiply accumulate – high word	Read/write	Word	Undefined
1Ah	MAC32H_L		Read/write	Byte	Undefined
1Bh	MAC32H_H		Read/write	Byte	Undefined
1Ah	MAC32H_B	24-bit operand 1 – multiply accumulate – high byte	Read/write	Byte	Undefined
1Ch	MACS32L	32-bit operand 1 – signed multiply accumulate – low word	Read/write	Word	Undefined
1Ch	MACS32L_L		Read/write	Byte	Undefined
1Dh	MACS32L_H		Read/write	Byte	Undefined
1Eh	MACS32H	32-bit operand 1 – signed multiply accumulate – high word	Read/write	Word	Undefined
1Eh	MACS32H_L		Read/write	Byte	Undefined
1Fh	MACS32H_H		Read/write	Byte	Undefined
1Eh	MACS32H_B	24-bit operand 1 – signed multiply accumulate – high byte	Read/write	Byte	Undefined
20h	OP2L	32-bit operand 2 – low word	Read/write	Word	Undefined
20h	OP2L_L		Read/write	Byte	Undefined
21h	OP2L_H		Read/write	Byte	Undefined
22h	OP2H	32-bit operand 2 – high word	Read/write	Word	Undefined
22h	OP2H_L		Read/write	Byte	Undefined
23h	OP2H_H		Read/write	Byte	Undefined
22h	OP2H_B	24-bit operand 2 – high byte	Read/write	Byte	Undefined
24h	RES0	32x32-bit result 0 – least significant word	Read/write	Word	Undefined
24h	RES0_L		Read/write	Byte	Undefined
26h	RES1	32x32-bit result 1	Read/write	Word	Undefined
28h	RES2	32x32-bit result 2	Read/write	Word	Undefined
2Ah	RES3	32x32-bit result 3 – most significant word	Read/write	Word	Undefined
2Ch	MPY32CTL0	MPY32 control register 0	Read/write	Word	Undefined
2Ch	MPY32CTL0_L		Read/write	Byte	Undefined
2Dh	MPY32CTL0_H		Read/write	Byte	00h

The registers listed in [Table 14-8](#) are treated equally.

Table 14-8. Alternative Registers

Register	Alternative 1	Alternative 2
16-bit operand one – multiply	MPY	MPY32L
8-bit operand one – multiply	MPY_B or MPY_L	MPY32L_B or MPY32L_L
16-bit operand one – signed multiply	MPYS	MPYS32L
8-bit operand one – signed multiply	MPYS_B or MPYS_L	MPYS32L_B or MPYS32L_L
16-bit operand one – multiply accumulate	MAC	MAC32L
8-bit operand one – multiply accumulate	MAC_B or MAC_L	MAC32L_B or MAC32L_L
16-bit operand one – signed multiply accumulate	MACS	MACS32L
8-bit operand one – signed multiply accumulate	MACS_B or MACS_L	MACS32L_B or MACS32L_L
16x16-bit result low word	RESLO	RES0
16x16-bit result high word	RESHI	RES1

14.3.1 MPY32CTL0 Register

32-Bit Hardware Multiplier Control 0 Register

Figure 14-6. MPY32CTL0 Register

15	14	13	12	11	10	9	8
Reserved						MPYDLY32	MPYDLYWRTEN
r-0	r-0	r-0	r-0	r-0	r-0	rw-0	rw-0
7	6	5	4	3	2	1	0
MPYOP2_32	MPYOP1_32	MPYMx		MPYSAT	MPYFRAC	Reserved	MPYC
rw	rw	rw	rw	rw-0	rw-0	rw-0	rw

Table 14-9. MPY32CTL0 Register Description

Bit	Field	Type	Reset	Description
15-10	Reserved	R	0h	Reserved. Always reads as 0.
9	MPYDLY32	RW	0h	Delayed write mode 0b = Writes are delayed until 64-bit result (RES0 to RES3) is available. 1b = Writes are delayed until 32-bit result (RES0 to RES1) is available.
8	MPYDLYWRTEN	RW	0h	Delayed write enable All writes to any MPY32 register are delayed until the 64-bit (MPYDLY32 = 0) or 32-bit (MPYDLY32 = 1) result is ready. 0b = Writes are not delayed. 1b = Writes are delayed.
7	MPYOP2_32	RW	0h	Multiplier bit width of operand 2 0b = 16 bits 1b = 32 bits
6	MPYOP1_32	RW	0h	Multiplier bit width of operand 1 0b = 16 bits 1b = 32 bits
5-4	MPYMx	RW	0h	Multiplier mode 00b = MPY – Multiply 01b = MPYS – Signed multiply 10b = MAC – Multiply accumulate 11b = MACS – Signed multiply accumulate
3	MPYSAT	RW	0h	Saturation mode 0b = Saturation mode disabled 1b = Saturation mode enabled
2	MPYFRAC	RW	0h	Fractional mode 0b = Fractional mode disabled 1b = Fractional mode enabled
1	Reserved	RW	0h	Reserved. Always reads as 0.
0	MPYC	RW	0h	Carry of the multiplier. It can be considered as 33rd or 65th bit of the result if fractional or saturation mode is not selected, because the MPYC bit does not change when switching to saturation or fractional mode. It is used to restore the SUMEXT content in MAC mode. 0b = No carry for result 1b = Result has a carry

REF Module

The REF module is a general-purpose reference system that is used to generate voltage references required for other subsystems available on a given device such as digital-to-analog converters, analog-to-digital converters, or comparators. This chapter describes the REF module.

Topic	Page
15.1 REF Introduction	427
15.2 Principle of Operation	428
15.3 REF Registers	430

15.1 REF Introduction

The reference module (REF) is responsible for generation of all critical reference voltages that can be used by various analog peripherals in a given device. These include but are not limited to the ADC12_B and COMP_B modules, dependent upon the particular device. The heart of the reference system is the bandgap from which all other references are derived by unity or noninverting gain stages. The REF module consists of the bandgap and a noninverting buffer stage that generates the three voltage reference available in the system, namely 1.5 V, 2.0 V, and 2.5 V. In addition, when requested, a buffered bandgap voltage is also available.

Features of the REF include:

- Centralized factory-trimmed bandgap with excellent PSRR, temperature coefficient, and accuracy
- 1.5 V, 2.0 V, 2.5 V user selectable internal references
- Buffered bandgap voltage available to rest of system
- Power saving features

The block diagram of the REF module is shown in [Figure 15-1](#).

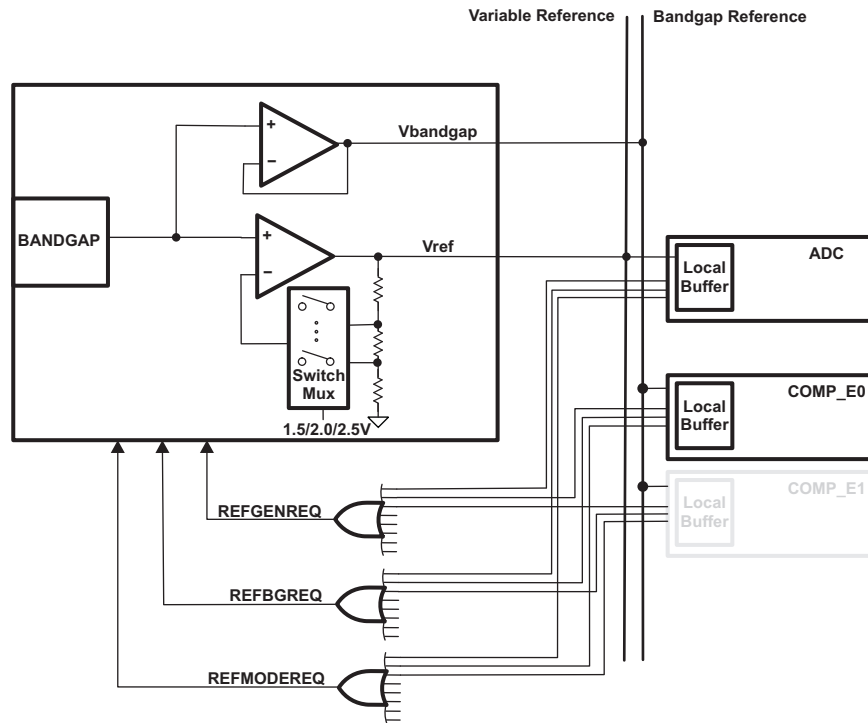


Figure 15-1. REF Block Diagram

15.2 Principle of Operation

The REF module provides all of the necessary voltage references that are used by various peripheral modules throughout the system.

The high-performance bandgap has very good accuracy (factory trimmed), low temperature coefficient, and high PSRR while operating at low power. The bandgap voltage is used to generate three voltages via a noninverting amplifier stage, namely 1.5 V, 2.0 V, and 2.5 V. One voltage can be selected at a time. One output is the variable reference line that can be used throughout the system. The variable reference line provides either 1.5 V, 2.0 V, or 2.5 V to the rest of the system. A second output of the REF module provides a buffered bandgap reference line that can be used by any module throughout the system. The REF module includes the temperature sensor circuitry. The temperature sensor is used by an ADC to measure a voltage proportional to temperature.

15.2.1 Low-Power Operation

The REF module is capable of supporting low-power applications such as LCD generation. Many of these applications do not require a very accurate reference, compared to data conversion, yet power is of prime concern. To support these kinds of applications, the bandgap is capable of being used in a sampled mode. This reduces the average power of the bandgap circuitry significantly, at the cost of accuracy. When not in sampled mode, the bandgap is in static mode. Its power is at its highest but so is its accuracy.

Modules automatically can request static mode or sampled mode via their own individual request lines. In this way, the particular module determines what mode is appropriate for its proper operation and performance. Any one active module that requests static mode causes all other modules to use static mode, even if another module is requesting sampled mode. In other words, static mode always has higher priority over sampled mode.

15.2.2 REFCTL

The REFCTL registers provide a way to control the reference system from one centralized set of registers. REFCTL is used to control the reference system.

Table 15-1 summarizes the REFCTL bits and their effect on the REF module.

Table 15-1. REF Control of Reference System (REFMSTR = 1) (Default)

REF Register Setting	Function
REFON	Setting this bit enables the REF module, which includes the bandgap, the bandgap bias circuitry, and the 1.5-V, 2.0-V, or 2.5-V buffer. Setting this bit causes the REF module to remain enabled even if no module has requested it. Clearing this bits disables the REF module only if there are no pending requests for any reference voltage.
REFVSEL	Selects 1.5 V, 2.0 V, or 2.5 V to be present on the variable reference line when REFON = 1 or it is requested by any module.
REFTCOFF	Setting this bit disables the temperature sensor (when available) to conserve power.

15.2.3 Reference System Requests

There are three basic reference system requests that are used by the reference system. Each module can use these requests to obtain the proper response from the reference system. The three basic requests are REFGENREQ, REFBGREQ, and REFMODEREQ.

A reference request signal, REFGENREQ, is available as an input into the REFGEN subsystem. This signal represents a logical OR of individual requests coming from the various modules in the system that require a voltage reference to be available on the variable reference line. When a module requires a voltage reference, it asserts its corresponding REGFENREQ signal. Once the REFGENREQ is asserted, the REFGEN subsystem is enabled. After the specified settling time, the variable reference line voltage is stable and ready for use. The REFVSEL settings determine which voltage is generated on the variable reference line.

In addition to the REFGENREQ, a second reference request signal, REFBGREQ is available. The REFBGREQ signal represents a logical OR of requests coming from the various modules that require the bandgap reference line. Once the REFBGREQ is asserted, the bandgap, along with its bias circuitry and local buffer, is enabled if it is not already enabled by a prior request.

The REFMODEREQ request signal is available that configures the bandgap and its bias circuitry to operate in a sampled or static mode of operation. The REFMODEREQ signal basically represents a logical AND of individual requests coming from the various analog modules. In reality, a REFMODEREQ occurs only if a module's REFGENREQ or REFBGQ is also asserted, otherwise it is a do not care. When REFMODEREQ = 1, the bandgap operates in sampled mode. When a module asserts its corresponding REFMODEREQ signal, it is requesting that the bandgap operate in sampled mode. Because REMODEREQ is a logical AND of all individual requests, any modules requesting static mode cause the bandgap to operate in static mode. The BGMODE bit can be used as an indicator of static or sampled mode of operation.

15.2.3.1 REFBGACT, REFGENACT, REFGENBUSY

Any module that is using the variable reference line causes REFGENACT to be set inside the REFCTL register. This bit is read only and indicates to the user that the REFGEN is active or off. Similarly, the REFBGACT is active any time one or more modules is actively utilizing the bandgap reference line and indicates to the user that the REFBG is active or off.

The REFGENBUSY signal, when asserted, indicates that a module is using the reference and cannot have any of its settings changed. For example, during an active ADC10_B conversion, the reference voltage level should not be changed. REFGENBUSY is asserted when there is an active ADC10_B conversion (ADC10BUSY = 1). REFGENBUSY write protects the REFCTL register when it is asserted. This prevents the reference from being disabled or its level changed during any active conversion.

15.2.3.2 ADC10_B

For devices that contain an ADC10_B module, if the ADC is not sampling or converting but the REFON bit is set the REF module remains on.

15.3 REF Registers

The REF registers are listed in [Table 15-2](#). The base address can be found in the device-specific data sheet. The address offset is listed in [Table 15-2](#).

NOTE: All registers have word or byte register access. For a generic register *ANYREG*, the suffix "_L" (*ANYREG_L*) refers to the lower byte of the register (bits 0 through 7). The suffix "_H" (*ANYREG_H*) refers to the upper byte of the register (bits 8 through 15).

Table 15-2. REF Registers

Offset	Acronym	Register Name	Type	Access	Reset	Section
00h	REFCTL0	REFCTL0	Read/write	Word	0000h	Section 15.3.1
00h	REFCTL0_L		Read/write	Byte	80h	
01h	REFCTL0_H		Read/write	Byte	00h	

15.3.1 REFCTL0 Register

REF Control Register 0

Figure 15-2. REFCTL0 Register

15	14	13	12	11	10	9	8
Reserved				BGMODE	REFGENBUSY	REFBGACT	REFGENACT
r0	r0	r0	r0	r-(0)	r-(0)	r-(0)	r-(0)
7	6	5	4	3	2	1	0
Reserved		REFVSEL		REFTCOFF	Reserved		REFON
r0	r0	rw-(0)	rw-(0)	rw-(0)	r0	r0	rw-(0)

Can be modified only when REFGENBUSY = 0.

Table 15-3. REFCTL0 Register Description

Bit	Field	Type	Reset	Description
15-12	Reserved	R	0h	Reserved. Always reads as 0.
11	BGMODE	R	0h	Bandgap mode 0b = Static mode 1b = Sampled mode
10	REFGENBUSY	R	0h	Reference generator busy 0b = Reference generator not busy 1b = Reference generator busy
9	REFBGACT	R	0h	Reference bandgap active 0b = Reference bandgap buffer not active 1b = Reference bandgap buffer active
8	REFGENACT	R	0h	Reference generator active 0b = Reference generator not active 1b = Reference generator active
7-6	Reserved	R	0h	Reserved. Always reads as 0.
5-4	REFVSEL	RW	0h	Reference voltage level select Can be modified only when REFGENBUSY = 0. 00b = 1.5 V available when reference requested or REFON = 1 01b = 2.0 V available when reference requested or REFON = 1 10b = 2.5 V available when reference requested or REFON = 1 11b = 2.5 V available when reference requested or REFON = 1
3	REFTCOFF	R	0h	Temperature sensor disable Can be modified only when REFGENBUSY = 0. 0b = Temperature sensor enabled 1b = Temperature sensor disabled to save power
2-1	Reserved	R	0h	Reserved. Always reads as 0.
0	REFON	R	0h	Reference enable Can be modified only when REFGENBUSY = 0. 0b = Disables reference if no other reference requests are pending 1b = Enables reference

ADC10_B Module

The ADC10_B module is a high-performance 10-bit analog-to-digital converter (ADC). This chapter describes the operation of the ADC10_B module.

Topic	Page
16.1 ADC10_B Introduction.....	433
16.2 ADC10_B Operation.....	435
16.3 ADC10_B Registers	448

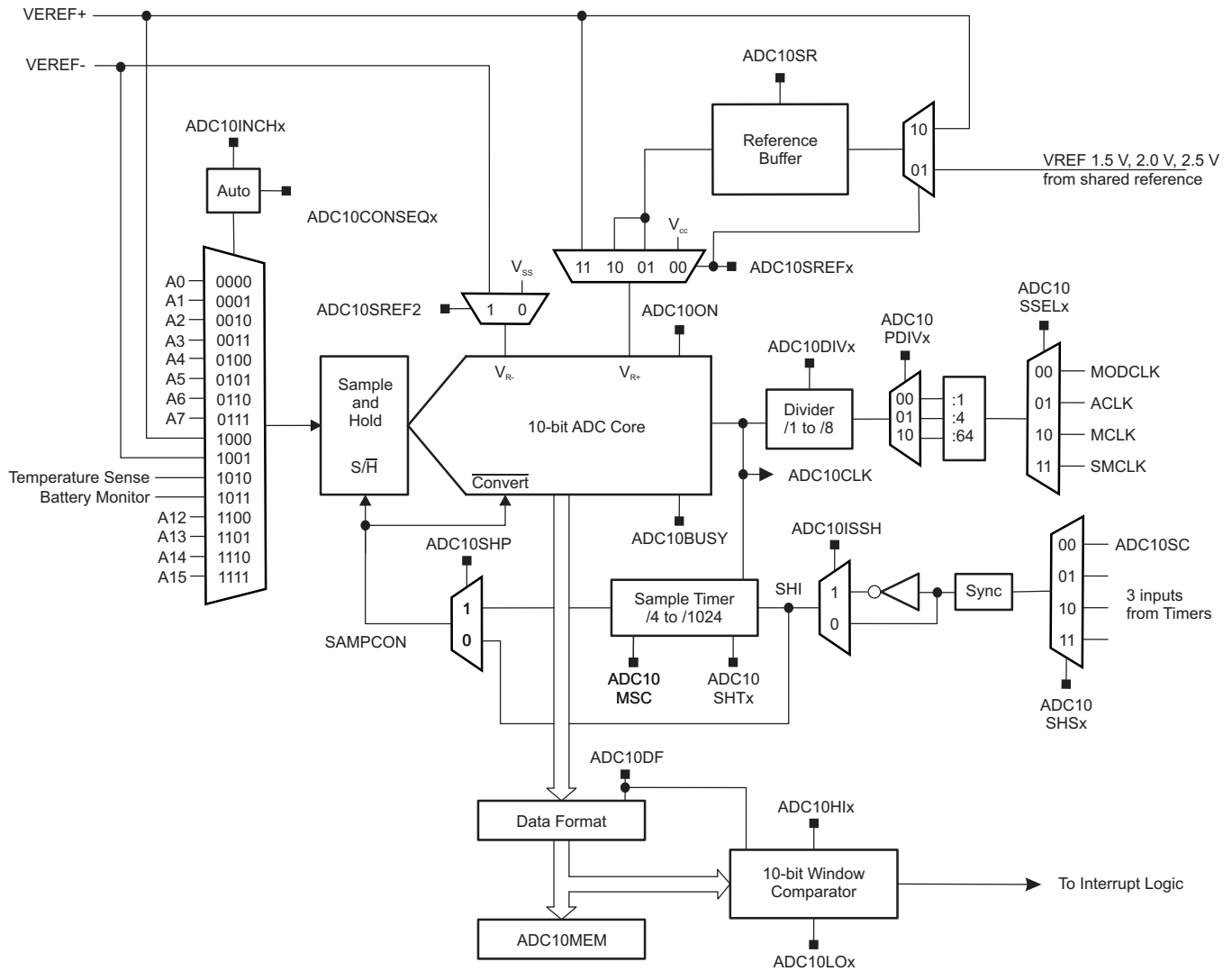
16.1 ADC10_B Introduction

The ADC10_B module supports fast 10-bit analog-to-digital conversions. The module implements a 10-bit SAR core, sample select control, and a window comparator.

ADC10_B features include:

- Greater than 200-ksps maximum conversion rate
- Monotonic 10-bit converter with no missing codes
- Sample-and-hold with programmable sampling periods controlled by software or timers
- Conversion initiation by software or different timers
- Software-selectable on-chip reference using the REF module or external reference
- Twelve individually configurable external input channels
- Conversion channel for temperature sensor of the REF module
- Selectable conversion clock source
- Single-channel, repeat-single-channel, sequence, and repeat-sequence conversion modes
- Window comparator for low-power monitoring of input signals
- Interrupt vector register for fast decoding of six ADC interrupts (ADC10IFG0, ADC10TOVIFG, ADC10OVIFG, ADC10LOIFG, ADC10INIFG, ADC10HIIFG)

[Figure 16-1](#) shows the block diagram of ADC10_B. The on-chip generation is located in the reference module (see the device-specific data sheet).



Copyright © 2017, Texas Instruments Incorporated

- A MODCLK is sourced from the MODOSC in the CS module. See the CS chapter for more information.
- B When using ADC10SHP = 0, no synchronization of the trigger input is done.

Figure 16-1. ADC10_B Block Diagram

16.2.2.1 Analog Port Selection

The ADC10_B inputs are multiplexed with digital port pins. When analog signals are applied to digital gates, parasitic current can flow from V_{CC} to GND. This parasitic current occurs if the input voltage is near the transition level of the gate. Disabling the digital part of the port pin eliminates the parasitic current flow and, therefore, reduces overall current consumption. The PySELx bits provide the ability to disable the port pin input and output buffers.

```
; Py.0 and Py.1 configured for analog input
BIS.B #3h,&PySEL ; Py.1 and Py.0 ADC10_B function
```

16.2.3 Voltage Reference Generator

The ADC10_B module is designed to be used either with the on-chip reference supplied by the REF module or an externally reference voltage supplied on external pins.

The on-chip reference is capable of supplying 1.5 V, 2.0 V and 2.5 V. The internal V_{CC} can also be used as the voltage reference. Refer to the REF chapter for details on the operation of this internal reference.

External references may be supplied for V_{R+} and V_{R-} through pins VREF+/VEREF+ and VREF-/VEREF- , respectively.

16.2.3.1 Internal Reference Low-Power Features

The on-chip reference is designed for low-power applications. This reference includes a band-gap voltage source and a separate reference buffer, both of which are located in the REF module. The current consumption of each is specified separately in the device-specific data sheet. The ADC10_B also contains an internal buffer for reference voltages. This buffer is automatically enabled when the internal reference is selected for V_{REF+} , but it is also optionally available for V_{eREF+} . The on-chip reference from the REF module must be enabled by software. Its settling time is $\leq 30 \mu s$. See the REF module description for further information on the on-chip reference.

The reference buffer of the ADC10_B also has selectable speed versus power settings. When the maximum conversion rate is below 50 ksps, setting ADC10SR = 1 reduces the current consumption of the buffer by approximately 50%.

16.2.4 Auto Power Down

The ADC10_B is designed for low-power applications. When the ADC10_B is not actively converting, the core is automatically disabled. It is automatically reenabled when needed. The MODOSC is also automatically enabled when needed and disabled when not needed.

16.2.5 Sample and Conversion Timing

An analog-to-digital conversion is initiated with a rising edge of the sample input signal SHI. The source for SHI is selected with the ADC10SHSx bits and can be any of the following:

- ADC10SC bit
- On of three timer outputs

The polarity of the SHI signal source can be inverted with the ADC10ISSH bit. The SAMPCON signal controls the sample period and start of conversion. When SAMPCON is high, sampling is active. The high-to-low SAMPCON transition starts the analog-to-digital conversion, which requires 11 ADC10CLK cycles in 10-bit resolution mode. One additional ADC10CLK is used for the window comparator. Two different sample-timing methods are defined by control bit ADC10SHP: extended sample mode and pulse mode.

16.2.5.1 Extended Sample Mode

The extended sample mode is selected when ADC10SHP = 0. The SHI signal directly controls SAMPCON and defines the length of the sample period t_{sample} . When SAMPCON is high, sampling is active. The high-to-low SAMPCON transition starts the conversion after synchronization with ADC10CLK (see [Figure 16-3](#)).

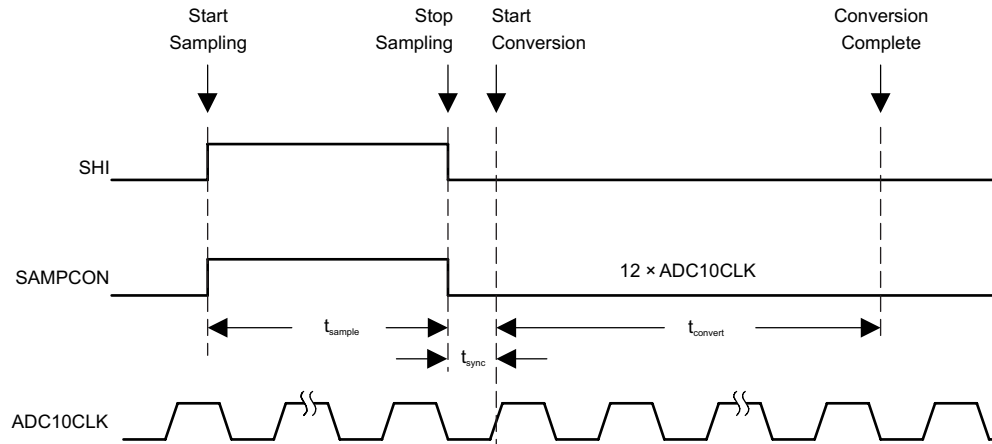


Figure 16-3. Extended Sample Mode

16.2.5.2 Pulse Sample Mode

The pulse sample mode is selected when $\text{ADC10SHP} = 1$. The SHI signal is used to trigger the sampling timer. The ADC10SHTx bits in ADC10CTL0 control the interval of the sampling timer that defines the SAMPCON sample period t_{sample} . The sampling timer keeps SAMPCON high after synchronization with ADC10CLK for a programmed interval t_{sample} . The total sampling time is t_{sample} plus t_{sync} (see Figure 16-4).

The ADC10SHTx bits select the sampling time in multiples of ADC10CLK .

NOTE: The ADC10SC bit is automatically cleared. Do not modify this bit while it is set.

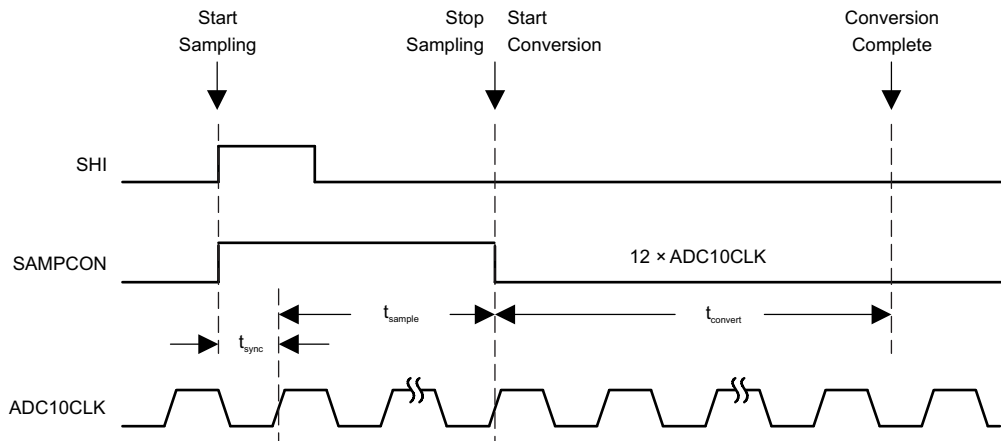


Figure 16-4. Pulse Sample Mode

16.2.5.3 Sample Timing Considerations

When SAMPCON = 0, all Ax inputs are high impedance. When SAMPCON = 1, the selected Ax input can be modeled as an RC low-pass filter during the sampling time t_{sample} (see Figure 16-5). An internal MUX-on input resistance R_i (see device-specific data sheet) in series with capacitor C_i (see the device-specific data sheet) is seen by the source. The capacitor C_i voltage V_c must be charged to within one-half LSB of the source voltage V_s for an accurate 10-bit conversion.

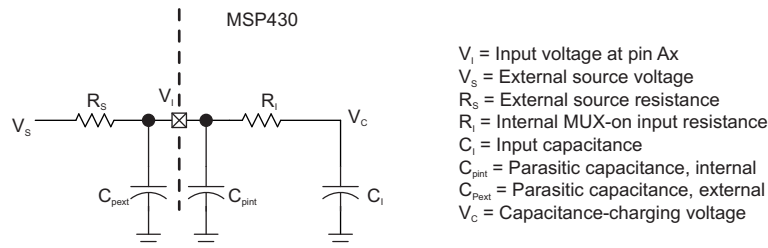


Figure 16-5. Analog Input Equivalent Circuit

The resistance of the source R_s and R_i affect t_{sample} . See the device-specific data sheet for the t_{sample} limits.

16.2.6 Conversion Result

The conversion result is accessible using the ADC10MEM0 register independently of the conversion mode selected by the user. When a conversion result is written to ADC10MEM0, the ADC10IFG0 is set.

16.2.7 ADC10_B Conversion Modes

The ADC10_B has four operating modes selected by the CONSEQx bits (see Table 16-1).

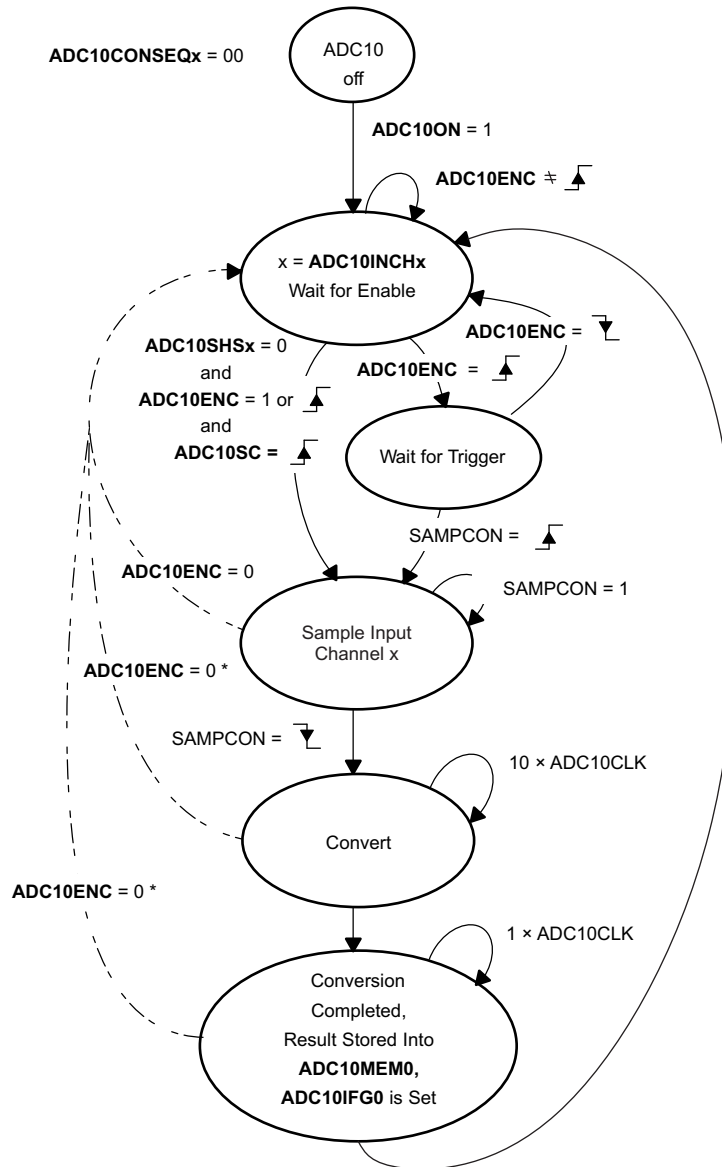
Table 16-1. Conversion Mode Summary

ADC10CONSEQx	Mode	Operation
00	Single-channel single-conversion	A single channel is converted once.
01	Sequence-of-channels	A sequence of channels is converted once.
10	Repeat-single-channel	A single channel is converted repeatedly.
11	Repeat-sequence-of-channels	A sequence of channels is converted repeatedly.

16.2.7.1 Single-Channel Single-Conversion Mode

A single channel selected by ADC10INCHx is sampled and converted once. The ADC result is written to ADC10MEM0. Figure 16-6 shows the flow of the single-channel single-conversion mode. When ADC10SC triggers a conversion, successive conversions can be triggered by the ADC10SC bit. When any other trigger source is used, ADC10ENC must be toggled between each conversion.

Resetting the ADC10ON bit during a conversion causes the ADC10_B to return to the "ADC10 off" state. In this case, the value of the conversion register and the value of the interrupt flags is unpredictable.

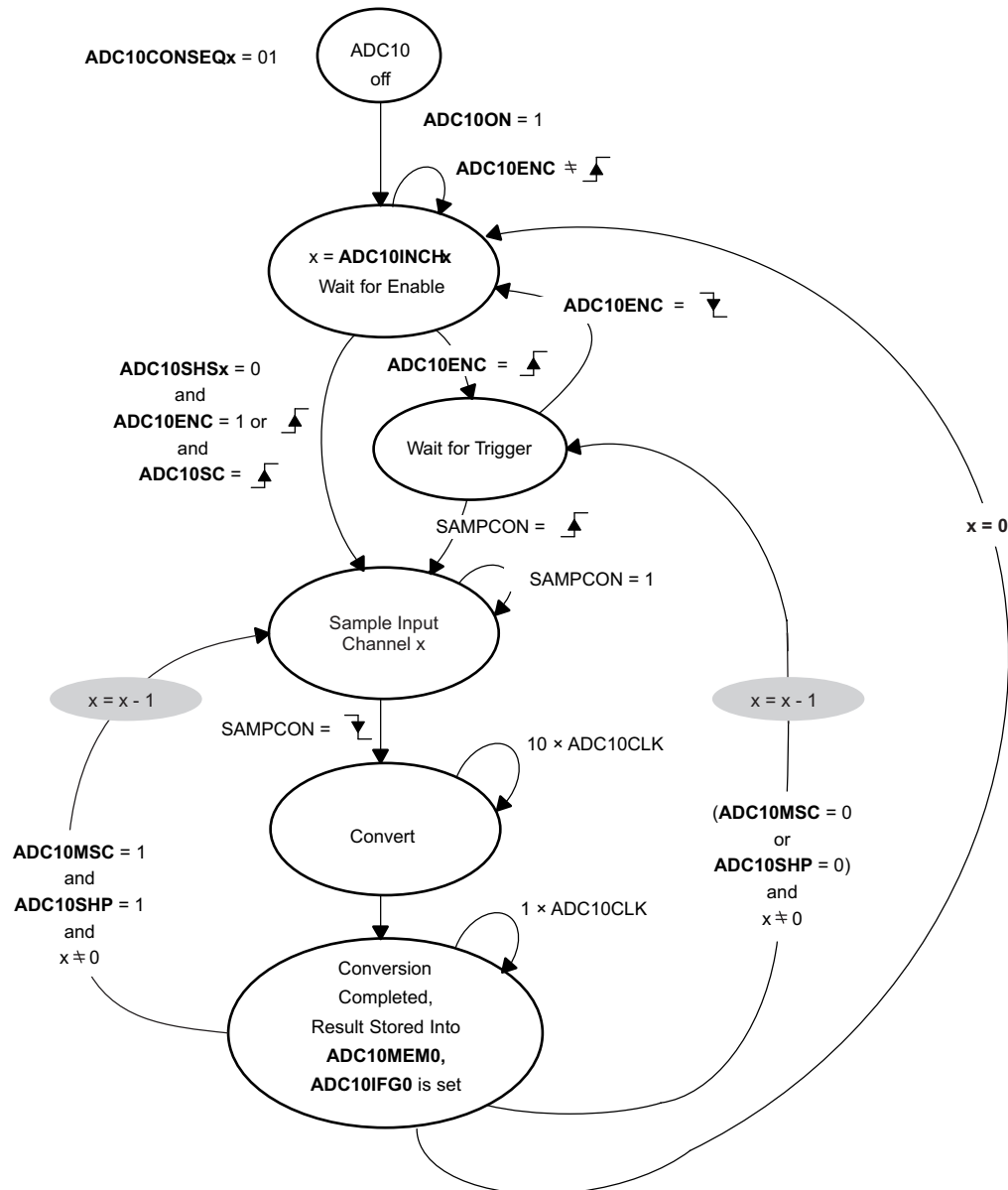


* Conversion result is unpredictable
 x = pointer to the selected ADC10_A channel defined by ADC10INCHx
 All bit and register names are marked with bold font, signals are noted in normal font

Figure 16-6. Single-Channel Single-Conversion Mode

16.2.7.2 Sequence-of-Channels Mode

A sequence of channels is sampled and converted once. The sequence begins with the channel selected by the ADC10INCHx bits and decrements to channel A0. Each ADC result is written to ADC10MEM0. The sequence stops after conversion of channel A0. Figure 16-7 shows the sequence-of-channels mode. When ADC10SC triggers a sequence, successive sequences can be triggered by the ADC10SC bit. When any other trigger source is used, ADC10ENC must be toggled between each sequence. As in all conversion modes, resetting the ADC10ON bit during a conversion causes the ADC10_B to return to the "ADC10 off" state.

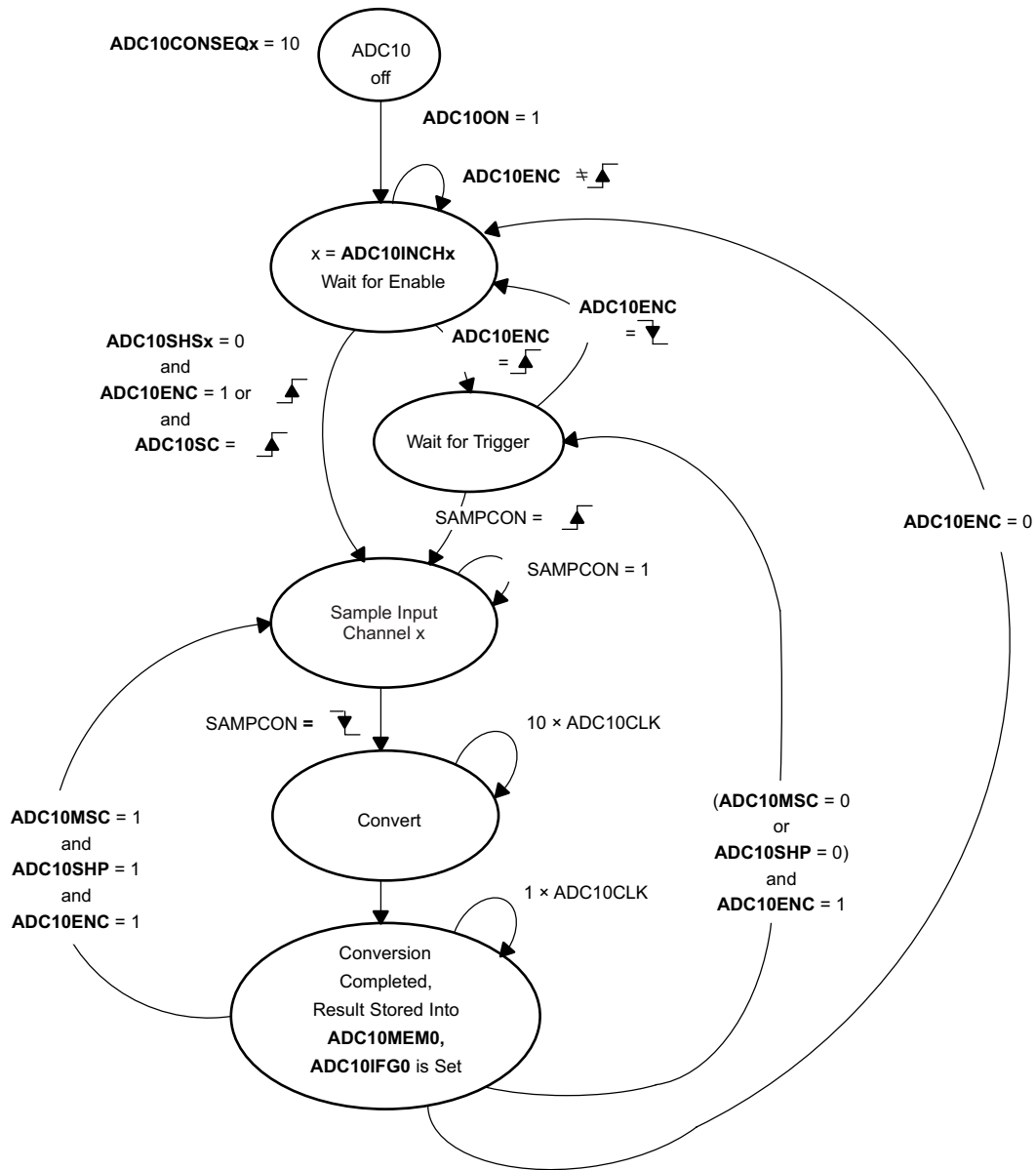


x = input channel Ax
All bit and register names are marked with bold font, signals are noted in normal font

Figure 16-7. Sequence-of-Channels Mode

16.2.7.3 Repeat-Single-Channel Mode

A single channel selected by ADC10INCHx is sampled and converted continuously. Each ADC result is written to ADC10MEM0. Figure 16-8 shows the repeat-single-channel mode.

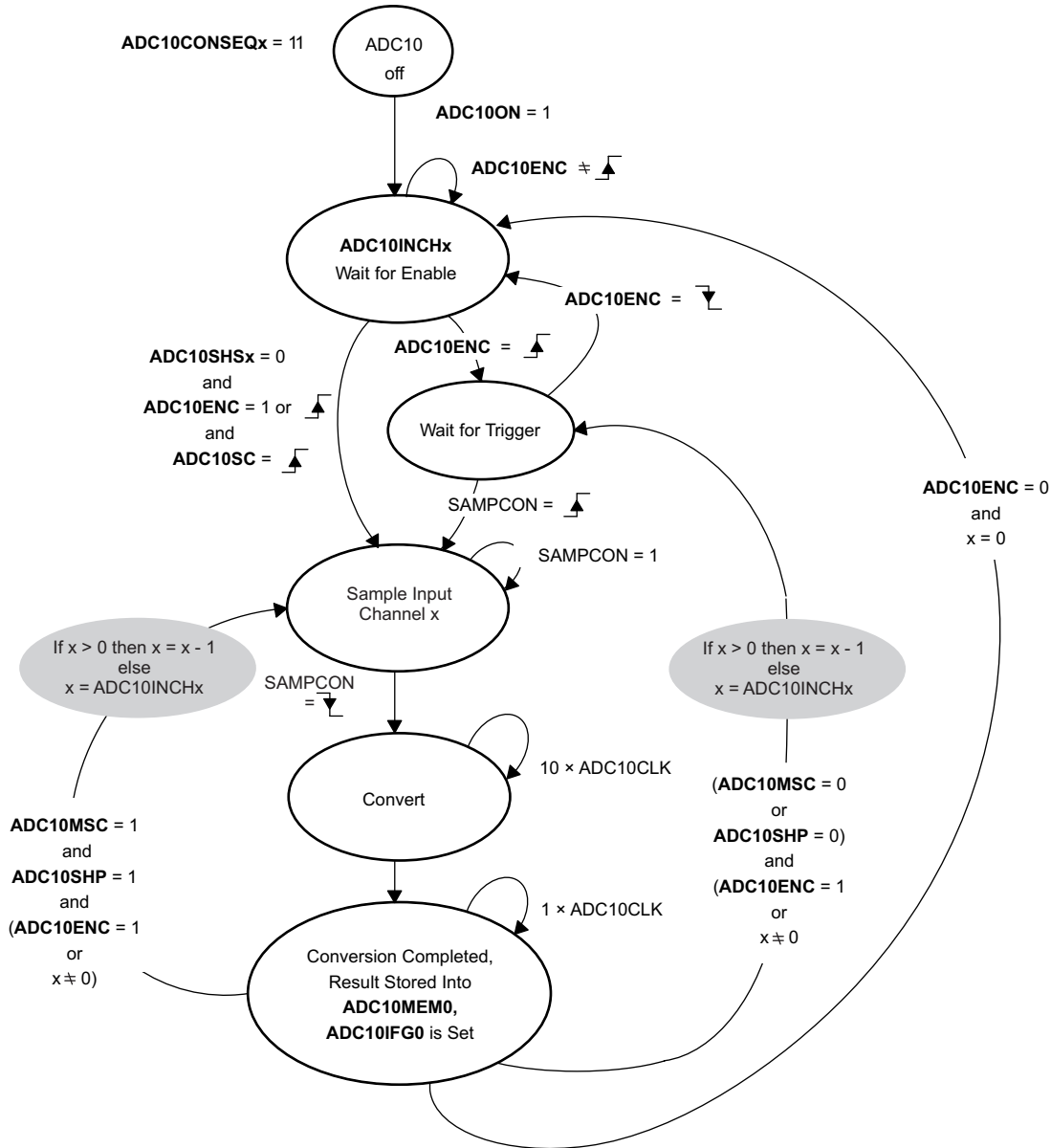


x - pointer to the selected ADC10. A channel defined by ADC10INCHx
All bit and register names are marked with bold font, signals are noted in normal font

Figure 16-8. Repeat-Single-Channel Mode

16.2.7.4 Repeat-Sequence-of-Channels Mode

A sequence of channels is sampled and converted repeatedly. The sequence begins with the channel selected by ADC10INCHx and decrements to channel A0. Each ADC result is written to ADC10MEM0. The sequence ends after conversion of channel A0, and the next trigger signal re-starts the sequence. Figure 16-9 shows the repeat-sequence-of-channels mode.



x - input channel Ax
All bit and register names are marked with bold font, signals are noted in normal font

Figure 16-9. Repeat-Sequence-of-Channels Mode

16.2.7.5 Using the Multiple Sample and Convert (ADC10MSC) Bit

To configure the converter to perform successive conversions automatically and as quickly as possible, a multiple sample and convert function is available. When $ADC10MSC = 1$, $CONSEQx > 0$, and the sample timer is used, the first rising edge of the SHI signal triggers the first conversion. Successive conversions are triggered automatically as soon as the prior conversion is completed. Additional rising edges on SHI are ignored until the sequence is completed in the single-sequence mode, or until the ADC10ENC bit is toggled in repeat-single-channel or repeated-sequence modes. The function of the ADC10ENC bit is unchanged when using the ADC10MSC bit.

16.2.7.6 Stopping Conversions

Stopping ADC10_B activity depends on the mode of operation. The recommended ways to stop an active conversion or conversion sequence are:

- Reset ADC10ENC in single-channel single-conversion mode to stop the conversion immediately. The results are unpredictable. For correct results, poll the busy bit until reset before clearing ADC10ENC.
- Reset ADC10ENC during repeat-single-channel operation to stop the converter at the end of the current conversion.
- Reset ADC10ENC during a sequence or repeat-sequence mode to stop the converter at the end of the sequence.
- Set the $CONSEQx = 0$ and reset the ADC10ENC bit to immediately stop any conversion mode. Conversion data are unreliable.

16.2.8 Window Comparator

The window comparator allows to monitor analog signals without any CPU interaction. The following list shows the available interrupt flags and the conditions when they are asserted:

- The [ADC10LO](#) interrupt flag (ADC10LOIFG) is set if the current result of the ADC10_B conversion is below the low threshold defined in register [ADC10LO](#)
- The [ADC10HI](#) interrupt flag (ADC10HIIFG) is set if the current result of the ADC10_B conversion is greater than the high threshold defined in register [ADC10HI](#)
- The [ADC10IN](#)-Interrupt flag (ADC10INIFG) is set if the current result of the ADC10_B conversion is between the low threshold defined in register [ADC10LO](#) and the high threshold defined in [ADC10HI](#)

These interrupts are generated independently of the conversion mode selected by the user.

The user always needs to make sure that the values in the [ADC10HI](#) and [ADC10LO](#) registers are in the correct data format. If, for example, the binary data format is selected ($ADC10DF = 0$), then the thresholds in the threshold registers [ADC10HI](#) and [ADC10LO](#) also need to be entered binary coded. Changing the [ADC10DF](#) or the [ADC10RES](#) resets the threshold registers.

The interrupt flags must be reset by the user software. The ADC10_B only updates the flags each time a new value is available in the [ADC10MEM0](#). This update is only a set of the corresponding interrupt flag. When using the window comparator flags, make sure that they are reset by software according to the application needs.

16.2.9 Using the Integrated Temperature Sensor

To use the on-chip temperature sensor, select the analog input channel $ADC10INCHx = 1010$. Any other configuration is done as if an external channel were selected, including reference selection and conversion-mode selection. The temperature sensor is located in the REF module of the device and must be activated by software.

Figure 16-10 shows the typical temperature sensor transfer function. When using the temperature sensor, the sample period must be greater than $30\ \mu s$. The temperature sensor offset error can be large and may need to be calibrated for most applications (see the device-specific data sheet for parameters). Some MSP430 devices include calibration data that can be used to compute temperature more accurately. For more information, see Section 1.14.3.3.

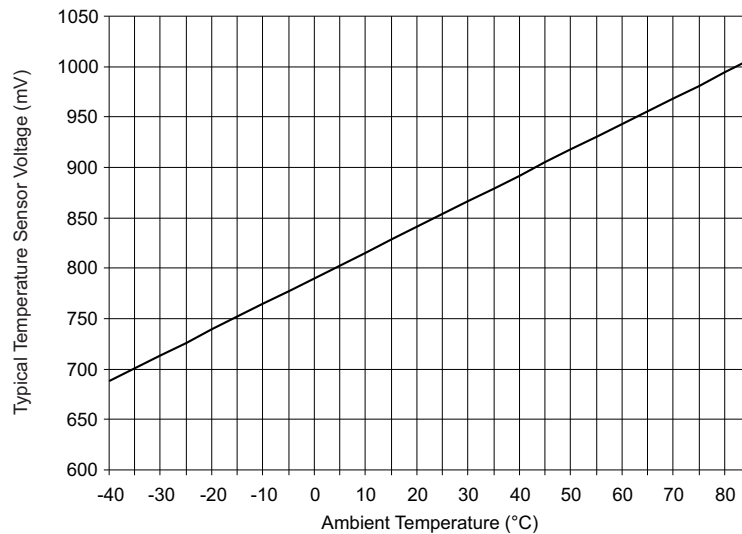


Figure 16-10. Typical Temperature Sensor Transfer Function

16.2.10 ADC10_B Grounding and Noise Considerations

As with any high-resolution ADC, appropriate printed circuit board layout and grounding techniques should be followed to eliminate ground loops, unwanted parasitic effects, and noise.

Ground loops are formed when return current from the ADC flows through paths that are common with other analog or digital circuitry. If care is not taken, this current can generate small unwanted offset voltages that can add to or subtract from the reference or input voltages of the ADC. The connections shown in [Figure 16-11](#) help to prevent this.

In addition to grounding, ripple and noise spikes on the power-supply lines due to digital switching or switching power supplies can corrupt the conversion result. A noise-free design using separate analog and digital ground planes with a single-point connection is recommended to achieve high accuracy.

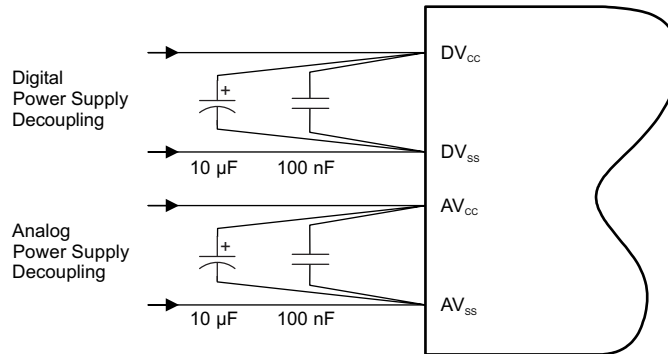


Figure 16-11. ADC10_B Grounding and Noise Considerations

16.2.11 ADC10_B Interrupts

The ADC10_B has six interrupt sources:

- ADC10IFG0 : conversion ready interrupt

The ADC10IFG0 bit is set when the [ADC10MEM0](#) memory register is loaded with the conversion result. An interrupt request is generated if the ADC10IE0 bit and the GIE bit are set.

- ADC10OVIFG : [ADC10MEM0](#) overflow

The ADC10OV condition occurs when a conversion result is written to the ADC10MEM0 before its previous conversion result was read.

- ADC10TOVIFG : conversion time overflow

The ADC10TOV condition is generated when another sample-and-conversion is requested before the current conversion is completed. The DMA is triggered after each conversion.

- ADC10LOIFG, ADC10INIFG, ADC10HIIFG : window comparator interrupt flags

The window comparator interrupt flags are set as described in [Section 16.2.8](#).

16.2.11.1 ADC10IV, Interrupt Vector Generator

All ADC10_B Interrupt sources are prioritized and combined to source a single interrupt vector. The interrupt vector register [ADC10IV](#) can be read to determine which enabled ADC10_B interrupt source requested an interrupt.

The highest-priority enabled ADC10_B interrupt generates a number in the [ADC10IV](#) register (see register description). This number can be evaluated or added to the program counter (PC) to automatically enter the appropriate software routine. Disabled ADC10_B interrupts do not affect the ADC10IV value.

Read access of the [ADC10IV](#) register automatically resets the highest pending interrupt condition and flag. Only the ADC10IFG0 is not reset by this ADC10IV read access. ADC10IFG0 is automatically reset by reading the [ADC10MEM0](#) register or may be reset with software.

Write access to the [ADC10IV](#) register clears all pending interrupt conditions and flags.

If another interrupt is pending after servicing of an interrupt, another interrupt is generated. For example, if the ADC10OV, ADC10HIIFG, and ADC10IFG0 interrupts are pending when the interrupt service routine accesses the [ADC10IV](#) register, the highest priority interrupt (ADC10OV interrupt condition) is reset automatically. After the RETI instruction of the interrupt service routine is executed, the ADC10HIIFG generates another interrupt.

16.2.11.2 ADC10_B Interrupt Handling Software Example

The following software example shows the recommended use of the [ADC10IV](#). The ADC10IV value is added to the PC to automatically jump to the appropriate routine.

- ADC10IFG0, ADC10TOV, and ADC10OV: 16 cycles

```

; Interrupt handler for ADC10_B.
INT_ADC10_B                                ; Enter Interrupt Service Routine
ADD    &ADC10IV,PC                          ; Add offset to PC
RETI                                       ; Vector 0: No Interrupt
JMP    ADOV                                 ; Vector 2: ADC10_B overflow
JMP    ADTOV                                ; Vector 4: ADC10_B timing overflow
JMP    ADHI                                 ; Vector 6: ADC10_B window comparator high
Interrupt
JMP    ADLO                                 ; Vector 8: ADC10_B window comparator low
Interrupt
JMP    ADIN                                 ; Vector 10: ADC10_B window comparator in
Interrupt
;
; Handler for ADC10IFG0 starts here. No JMP required.
;
ADMEM  MOV &ADC10MEM0,xxx                    ; Move result, flag is reset
      ...                                    ; Other instruction needed?
      RETI                                   ; Return ;
ADOV   ...                                    ; Handle ADCMEM0 overflow
      RETI                                   ; Return ;
ADTOV  ...                                    ; Handle Conv. time overflow
      RETI                                   ; Return ;
ADHI   ...                                    ; Handle window comparator high Interrupt
      RETI                                   ; Return ;
ADLO   ...                                    ; Handle window comparator low Interrupt
      RETI                                   ; Return ;
ADIN   ...                                    ; Handle window comparator in window Interrupt
      RETI                                   ; Return

```

16.3 ADC10_B Registers

The ADC10_B registers are listed in [Table 16-2](#). The base address of the ADC10_B can be found in the device-specific data sheet. The address offset of each ADC10_B register is given in [Table 16-2](#).

Table 16-2. ADC10_B Registers

Offset	Acronym	Register Name	Type	Reset	Section
00h	ADC10CTL0	ADC10_B Control 0 register	Read/write	0000h	Section 16.3.1
02h	ADC10CTL1	ADC10_B Control 1 register	Read/write	0000h	Section 16.3.2
04h	ADC10CTL2	ADC10_B Control 2 register	Read/write	1000h	Section 16.3.3
06h	ADC10LO	ADC10_B Window Comparator Low Threshold register	Read/write	0000h	Section 16.3.9
08h	ADC10HI	ADC10_B Window Comparator High Threshold register	Read/write	FF03h	Section 16.3.7
0Ah	ADC10MCTL0	ADC10_B Memory Control register	Read/write	00h	Section 16.3.6
12h	ADC10MEM0	ADC10_B Conversion Memory register	Read/write	undefined	Section 16.3.4
1Ah	ADC10IE	ADC10_B Interrupt Enable register	Read/write	0000h	Section 16.3.11
1Ch	ADC10IFG	ADC10_B Interrupt Flag register	Read/write	0000h	Section 16.3.12
1Eh	ADC10IV	ADC10_B Interrupt Vector register	Read/write	0000h	Section 16.3.13

16.3.1 ADC10CTL0 Register

ADC10_B Control Register 0

Figure 16-12. ADC10CTL0 Register

15	14	13	12	11	10	9	8
Reserved				ADC10SHTx			
r0	r0	r0	r0	rw-(0)	rw-(0)	rw-(0)	rw-(0)
7	6	5	4	3	2	1	0
ADC10MSC	Reserved		ADC10ON	Reserved		ADC10ENC	ADC10SC
rw-(0)	r0	r0	rw-(0)	r0	r0	rw-(0)	rw-(0)

Can be modified only when ADC10ENC = 0. Resetting ADC10ENC = 0 by software and changing these fields immediately shows effect also when a conversion is active.

Table 16-3. ADC10CTL0 Register Description

Bit	Field	Type	Reset	Description
15-12	Reserved	R	0h	Reserved. Always reads as 0.
11-8	ADC10SHTx	RW	0h	ADC10_B sample-and-hold time. These bits define the number of ADC10CLK cycles in the sampling period for the ADC10. Can be modified only when ADC10ENC = 0. Resetting ADC10ENC = 0 by software and changing these fields immediately shows effect also when a conversion is active. 0000b = 4 ADC10CLK cycles 0001b = 8 ADC10CLK cycles 0010b = 16 ADC10CLK cycles 0011b = 32 ADC10CLK cycles 0100b = 64 ADC10CLK cycles 0101b = 96 ADC10CLK cycles 0110b = 128 ADC10CLK cycles 0111b = 192 ADC10CLK cycles 1000b = 256 ADC10CLK cycles 1001b = 384 ADC10CLK cycles 1010b = 512 ADC10CLK cycles 1011b = 768 ADC10CLK cycles 1100b = 1024 ADC10CLK cycles 1101b = 1024 ADC10CLK cycles 1110b = 1024 ADC10CLK cycles 1111b = 1024 ADC10CLK cycles
7	ADC10MSC	RW	0h	ADC10_B multiple sample and conversion. Valid only for sequence or repeated modes. Can be modified only when ADC10ENC = 0. Resetting ADC10ENC = 0 by software and changing these fields immediately shows effect also when a conversion is active. 0b = The sampling timer requires a rising edge of the SHI signal to trigger each sample-and-convert. 1b = The first rising edge of the SHI signal triggers the sampling timer, but further sample-and-conversions are performed automatically as soon as the prior conversion is completed.
6-5	Reserved	R	0h	Reserved. Always reads as 0.
4	ADC10ON	RW	0h	ADC10_B on Can be modified only when ADC10ENC = 0. Resetting ADC10ENC = 0 by software and changing these fields immediately shows effect also when a conversion is active. 0b = ADC10_B off 1b = ADC10_B on
3-2	Reserved	R	0h	Reserved. Always reads as 0.

Table 16-3. ADC10CTL0 Register Description (continued)

Bit	Field	Type	Reset	Description
1	ADC10ENC	RW	0h	ADC10_B enable conversion 0b = ADC10_B disabled 1b = ADC10_B enabled
0	ADC10SC	RW	0h	ADC10_B start conversion. Software-controlled sample-and-conversion start. ADC10SC and ADC10ENC may be set together with one instruction. ADC10SC is reset automatically. 0b = No sample-and-conversion-start 1b = Start sample-and-conversion

16.3.2 ADC10CTL1 Register

ADC10_B Control Register 1

Figure 16-13. ADC10CTL1 Register

15	14	13	12	11	10	9	8
Reserved				ADC10SHSx		ADC10SHP	ADC10ISSH
r0	r0	r0	r0	rw-(0)	rw-(0)	rw-(0)	rw-(0)
7	6	5	4	3	2	1	0
ADC10DIVx			ADC10SSELx		ADC10CONSEQx		ADC10BUSY
rw-(0)	rw-(0)	rw-(0)	rw-(0)	rw-(0)	rw-(0)	rw-(0)	r-(0)

Can be modified only when ADC10ENC = 0. Resetting ADC10ENC = 0 by software and changing these fields immediately shows effect also when a conversion is active.

Table 16-4. ADC10CTL1 Register Description

Bit	Field	Type	Reset	Description
15-12	Reserved	R	0h	Reserved. Always reads as 0.
11-10	ADC10SHSx	RW	0h	ADC10_B sample-and-hold source select Can be modified only when ADC10ENC = 0. Resetting ADC10ENC = 0 by software and changing these fields immediately shows effect also when a conversion is active. 00b = ADC10SC bit 01b = Timer trigger 0 - see device specific datasheet 10b = Timer trigger 1 - see device specific datasheet 11b = Timer trigger 2 - see device specific datasheet
9	ADC10SHP	RW	0h	ADC10_B sample-and-hold pulse-mode select. This bit selects the source of the sampling signal (SAMPCON) to be either the output of the sampling timer or the sample-input signal directly. Can be modified only when ADC10ENC = 0. Resetting ADC10ENC = 0 by software and changing these fields immediately shows effect also when a conversion is active. 0b = SAMPCON signal is sourced from the sample-input signal. 1b = SAMPCON signal is sourced from the sampling timer.
8	ADC10ISSH	RW	0h	ADC10_B invert signal sample-and-hold Can be modified only when ADC10ENC = 0. Resetting ADC10ENC = 0 by software and changing these fields immediately shows effect also when a conversion is active. 0b = The sample-input signal is not inverted. 1b = The sample-input signal is inverted.
7-5	ADC10DIVx	RW	0h	ADC10_B clock divider Can be modified only when ADC10ENC = 0. Resetting ADC10ENC = 0 by software and changing these fields immediately shows effect also when a conversion is active. 000b = Divide by 1 001b = Divide by 2 010b = Divide by 3 011b = Divide by 4 100b = Divide by 5 101b = Divide by 6 110b = Divide by 7 111b = Divide by 8

Table 16-4. ADC10CTL1 Register Description (continued)

Bit	Field	Type	Reset	Description
4-3	ADC10SSELx	RW	0h	ADC10_B clock source select Can be modified only when ADC10ENC = 0. Resetting ADC10ENC = 0 by software and changing these fields immediately shows effect also when a conversion is active. 00b = MODCLK 01b = ACLK 10b = MCLK 11b = SMCLK
2-1	ADC10CONSEQx	RW	0h	ADC10_B conversion sequence mode select Can be modified only when ADC10ENC = 0. Resetting ADC10ENC = 0 by software and changing these fields immediately shows effect also when a conversion is active. 00b = Single-channel, single-conversion 01b = Sequence-of-channels 10b = Repeat-single-channel 11b = Repeat-sequence-of-channels
0	ADC10BUSY	R	0h	ADC10_B busy. This bit indicates an active sample or conversion operation. 0b = No operation is active. 1b = A sequence, sample, or conversion is active.

16.3.3 ADC10CTL2 Register

ADC10_B Control Register 2

Figure 16-14. ADC10CTL2 Register

15	14	13	12	11	10	9	8
Reserved						ADC10PDIVx	
r0	r0	r0	r0	r0	r0	rw-(0)	rw-(0)
7	6	5	4	3	2	1	0
Reserved			ADC10RES	ADC10DF	ADC10SR	Reserved	
r0	r0	r0	rw-(1)	rw-(0)	rw-(0)	r0	rw-(0)

Can be modified only when ADC10ENC = 0. Resetting ADC10ENC = 0 by software and changing these fields immediately shows effect also when a conversion is active.

Table 16-5. ADC10CTL2 Register Description

Bit	Field	Type	Reset	Description
15-10	Reserved	R	0h	Reserved. Always reads as 0.
9-8	ADC10PDIVx	RW	0h	ADC10_B predivider. This bit predivides the selected ADC10_B clock source before it gets divided again using ADC10DIVx. 00b = Predivide by 1 01b = Predivide by 4 10b = Predivide by 64 11b = Reserved
7-5	Reserved	R	0h	Reserved. Always reads as 0.
4	ADC10RES	RW	1h	ADC10_B resolution. This bit defines the conversion result resolution. 0b = 8 bit (10 clock cycle conversion time) 1b = 10 bit (12 clock cycle conversion time)
3	ADC10DF	RW	0h	ADC10_B data read-back format. Data is always stored in the binary unsigned format. 0b = Binary unsigned. Theoretically the analog input voltage $-V_{REF}$ results in 0000h, the analog input voltage $+V_{REF}$ results in 03FFh. 1b = Signed binary (2s complement), left aligned. Theoretically the analog input voltage $-V_{REF}$ results in 8000h, the analog input voltage $+V_{REF}$ results in 7FC0h.
2	ADC10SR	RW	0h	ADC10_B sampling rate. This bit selects drive capability of the ADC10_B reference buffer for the maximum sampling rate. Setting ADC10SR reduces the current consumption of this buffer. 0b = ADC10_B buffer supports up to approximately 200 ksps. 1b = ADC10_B buffer supports up to approximately 50 ksps.
1	Reserved	R	0h	Reserved. Always reads as 0.
0	Reserved	RW	0h	Reserved. Must be written as 0.

16.3.4 ADC10MEM0 Register

ADC10_B Conversion Memory Register

Figure 16-15. ADC10MEM0 Register

15	14	13	12	11	10	9	8
Conversion_Results							
r0	r0	r0	r0	r0	r0	rw	rw
7	6	5	4	3	2	1	0
Conversion_Results							
rw	rw	rw	rw	rw	rw	rw	rw

Table 16-6. ADC10MEM0 Register Description

Bit	Field	Type	Reset	Description
15-0	Conversion_Results	RW	undefined	The 10-bit conversion results are right justified. Bit 9 is the MSB. Bits 15–10 are 0 in 10-bit mode, and bits 15–8 are 0 in 8-bit mode. Writing to the conversion memory register corrupts the results. This data format is used if ADC10DF = 0.

16.3.5 ADC10MEM0 Register, 2s-Complement Format

ADC10_B Conversion Memory Register, 2s-Complement Format

Figure 16-16. ADC10MEM0 Register

15	14	13	12	11	10	9	8
Conversion_Results							
rw	rw	rw	rw	rw	rw	rw	rw
7	6	5	4	3	2	1	0
Conversion_Results							
rw	rw	r0	r0	r0	r0	r0	r0

Table 16-7. ADC10MEM0 Register Description

Bit	Field	Type	Reset	Description
15-0	Conversion_Results	RW	undefined	The 10-bit conversion results are left justified, 2s-complement format. Bit 15 is the MSB. Bits 5–0 are 0 in 10-bit mode, and bits 7–0 are 0 in 8-bit mode. This data format is used if ADC10DF = 1. The data is stored in the right-justified format and is converted to the left-justified 2s-complement format during read back. Writing to the conversion memory register corrupts the results.

16.3.6 ADC10MCTL0 Register

ADC10_B Conversion Memory Control Register

Figure 16-17. ADC10MCTL0 Register

7	6	5	4	3	2	1	0
Reserved	ADC10SREFx			ADC10INCHx			
r0	rw-(0)	rw-(0)	rw-(0)	rw-(0)	rw-(0)	rw-(0)	rw-(0)

Can be modified only when ADC10ENC = 0. Resetting ADC10ENC = 0 by software and changing these fields immediately shows effect also when a conversion is active.

Table 16-8. ADC10MCTL0 Register Description

Bit	Field	Type	Reset	Description
7	Reserved	R	0h	Reserved. Always reads as 0.
6-4	ADC10SREFx	RW	0h	<p>Select reference. It is not recommended to change this setting while a conversion is ongoing.</p> <p>Can be modified only when ADC10ENC = 0. Resetting ADC10ENC = 0 by software and changing these fields immediately shows effect also when a conversion is active.</p> <p>000b = $V_{R+} = AVCC$ and $V_{R-} = AVSS$ 001b = $V_{R+} = VREF$ and $V_{R-} = AVSS$ 010b = $V_{R+} = VREF+$ buffered and $V_{R-} = AVSS$ 011b = $V_{R+} = VREF+$ and $V_{R-} = AVSS$ 100b = $V_{R+} = AVCC$ and $V_{R-} = VREF-$ 101b = $V_{R+} = VREF$ and $V_{R-} = VREF-$ 110b = $V_{R+} = VREF+$ buffered and $V_{R-} = VREF-$ 111b = $V_{R+} = VREF+$ and $V_{R-} = VREF-$</p>
3-0	ADC10INCHx	RW	0h	<p>Input channel select. Writing these bits select the channel for a single-conversion or the highest channel for a sequence of conversions. Reading these bits in ADC10CONSEQ = 01,11 returns the channel currently converted.</p> <p>Can be modified only when ADC10ENC = 0. Resetting ADC10ENC = 0 by software and changing these fields immediately shows effect also when a conversion is active.</p> <p>0000b = A0 0001b = A1 0010b = A2 0011b = A3 0100b = A4 0101b = A5 0110b = A6 0111b = A7 1000b = VREF 1001b = VREF-/VREF- 1010b = Temperature diode from REF module 1011b = $(AVCC - AVSS) / 2$ 1100b = A12 1101b = A13 1110b = A14 1111b = A15</p>

16.3.7 ADC10HI Register

ADC10_B Window Comparator High Threshold Register

Figure 16-18. ADC10HI Register

15	14	13	12	11	10	9	8
High_Threshold							
r0	r0	r0	r0	r0	r0	rw-(1)	rw-(1)
7	6	5	4	3	2	1	0
High_Threshold							
rw-(1)	rw-(1)	rw-(1)	rw-(1)	rw-(1)	rw-(1)	rw-(1)	rw-(1)

Table 16-9. ADC10HI Register Description

Bit	Field	Type	Reset	Description
15-0	High_Threshold	RW	3FFh	The 10-bit threshold value needs to be right justified. Bit 9 is the MSB. Bits 15–10 are 0 in 10-bit mode, and bits 15–8 are 0 in 8-bit mode. This data format is used if ADC10DF = 0.

16.3.8 ADC10HI Register, 2s-Complement Format

ADC10_B Window Comparator High Threshold Register, 2s-Complement Format

Figure 16-19. ADC10HI Register

15	14	13	12	11	10	9	8
High_Threshold							
rw-(0)	rw-(1)	rw-(1)	rw-(1)	rw-(1)	rw-(1)	rw-(1)	rw-(1)
7	6	5	4	3	2	1	0
High_Threshold							
rw-(1)	rw-(1)	r0	r0	r0	r0	r0	r0

Table 16-10. ADC10HI Register Description

Bit	Field	Type	Reset	Description
15-0	High_Threshold	RW	1FFh	The 10-bit threshold value needs to be left justified if 2s-complement format is chosen. Bit 15 is the MSB. Bits 5–0 are 0 in 10-bit mode, and bits 7–0 are 0 in 8-bit mode. This data format is used if ADC10DF = 1.

16.3.9 ADC10LO Register

ADC10_B Window Comparator Low Threshold Register

Figure 16-20. ADC10LO Register

15	14	13	12	11	10	9	8
Low_Threshold							
r0	r0	r0	r0	r0	r0	rw-(0)	rw-(0)
7	6	5	4	3	2	1	0
Low_Threshold							
rw-(0)	rw-(0)	rw-(0)	rw-(0)	rw-(0)	rw-(0)	rw-(0)	rw-(0)

Table 16-11. ADC10LO Register Description

Bit	Field	Type	Reset	Description
15-0	Low_Threshold	RW	0h	The 10-bit threshold value needs to be right justified. Bit 9 is the MSB. Bits 15–10 are 0 in 10-bit mode, and bits 15–8 are 0 in 8-bit mode. This data format is used if ADC10DF = 0.

16.3.10 ADC10LO Register, 2s-Complement Format

ADC10_B Window Comparator Low Threshold Register, 2s-Complement Format

Figure 16-21. ADC10LO Register

15	14	13	12	11	10	9	8
Low_Threshold							
rw-(1)	rw-(0)	rw-(0)	rw-(0)	rw-(0)	rw-(0)	rw-(0)	rw-(0)
7	6	5	4	3	2	1	0
Low_Threshold							
rw-(0)	rw-(0)	r0	r0	r0	r0	r0	r0

Table 16-12. ADC10LO Register Description

Bit	Field	Type	Reset	Description
15-0	Low_Threshold	RW	200h	The 10-bit threshold value needs to be left justified if 2s-complement format is chosen. Bit 15 is the MSB. Bits 5–0 are 0 in 10-bit mode, and bits 7–0 are 0 in 8-bit mode. This data format is used if ADC10DF = 1.

16.3.11 ADC10IE Register

ADC10_B Interrupt Enable Register

Figure 16-22. ADC10IE Register

15	14	13	12	11	10	9	8
Reserved							
r0	r0	r0	r0	r0	r0	r0	r0
7	6	5	4	3	2	1	0
Reserved		ADC10TOVIE	ADC10OVIE	ADC10HIIE	ADC10LOIE	ADC10INIE	ADC10IE0
r0	r0	rw-(0)	rw-(0)	rw-(0)	rw-(0)	rw-(0)	rw-(0)

Table 16-13. ADC10IE Register Description

Bit	Field	Type	Reset	Description
15-6	Reserved	R	0h	Reserved. Always reads as 0.
5	ADC10TOVIE	RW	0h	ADC10_B conversion-time-overflow interrupt enable. 0b = Conversion time overflow interrupt disabled 1b = Conversion time overflow interrupt enabled
4	ADC10OVIE	RW	0h	ADC10MEM0 overflow interrupt enable. 0b = Overflow interrupt disabled 1b = Overflow interrupt enabled
3	ADC10HIIE	RW	0h	Interrupt enable for the above upper threshold interrupt of the window comparator. 0b = Above upper threshold interrupt disabled 1b = Above upper threshold interrupt enabled
2	ADC10LOIE	RW	0h	Interrupt enable for the below lower threshold interrupt of the window comparator. 0b = Below lower threshold interrupt disabled 1b = Below lower threshold interrupt enabled
1	ADC10INIE	RW	0h	Interrupt enable for the inside of window interrupt of the window comparator. 0b = Inside of window interrupt disabled 1b = Inside of window interrupt enabled
0	ADC10IE0	RW	0h	Interrupt enable. This bits enable or disable the interrupt request for a completed ADC10_B conversion. 0b = Interrupt disabled 1b = Interrupt enabled

16.3.12 ADC10IFG Register

ADC10_B Interrupt Flag Register

Figure 16-23. ADC10IFG Register

15	14	13	12	11	10	9	8
Reserved							
r0	r0	r0	r0	r0	r0	r0	r0
7	6	5	4	3	2	1	0
Reserved		ADC10TOVIFG	ADC10OVIFG	ADC10HIIFG	ADC10LOIFG	ADC10INIFG	ADC10IFG0
r0	r0	rw-(0)	rw-(0)	rw-(0)	rw-(0)	rw-(0)	rw-(0)

Table 16-14. ADC10IFG Register Description

Bit	Field	Type	Reset	Description
15-6	Reserved	R	0h	Reserved. Always reads as 0.
5	ADC10TOVIFG	RW	0h	The ADC10TOVIFG is set when an ADC10_B conversion is triggered before the actual conversion has completed. 0b = No interrupt pending 1b = Interrupt pending
4	ADC10OVIFG	RW	0h	The ADC10OVIFG is set when the ADC10MEM0 register is written before the last conversion result has been read. 0b = No interrupt pending 1b = Interrupt pending
3	ADC10HIIFG	RW	0h	The ADC10HIIFG is set when the result of the current ADC10_B conversion is greater than the upper threshold defined by the window comparator upper threshold register. 0b = No interrupt pending 1b = Interrupt pending
2	ADC10LOIFG	RW	0h	The ADC10LOIFG is set when the result of the current ADC10_B conversion is below the lower threshold defined by the window comparator lower threshold register. 0b = No interrupt pending 1b = Interrupt pending
1	ADC10INIFG	RW	0h	The ADC10INIFG is set when the result of the current ADC10_B conversion is within the thresholds defined by the window comparator threshold registers. 0b = No interrupt pending 1b = Interrupt pending
0	ADC10IFG0	RW	0h	The ADC10IFG0 is set when an ADC10_B conversion is completed. This bit is reset when the ADC10MEM0 get read, or it may be reset by software. 0b = No interrupt pending 1b = Interrupt pending

16.3.13 ADC10IV Register

ADC10_B Interrupt Vector Register

Figure 16-24. ADC10IV Register

15	14	13	12	11	10	9	8
ADC10IVx							
r0	r0	r0	r0	r0	r0	r0	r0
7	6	5	4	3	2	1	0
ADC10IVx							
r0	r0	r0	r0	r-(0)	r-(0)	r-(0)	r0

Table 16-15. ADC10IV Register Description

Bit	Field	Type	Reset	Description
15-0	ADC10IVx	R	0h	ADC10_B Interrupt vector value. It generates an value that can be used as address offset for fast interrupt service routine handling. Writing to this register clears all pending interrupt flags. 00h = No interrupt pending 02h = Interrupt Source: ADC10MEM0 overflow; Interrupt Flag: ADC10OVIFG; Interrupt Priority: Highest 04h = Interrupt Source: Conversion time overflow; Interrupt Flag: ADC10TOVIFG 06h = Interrupt Source: ADC10HI Interrupt flag; Interrupt Flag: ADC10HIIFG 08h = Interrupt Source: ADC10LO Interrupt flag; Interrupt Flag: ADC10LOIFG 0Ah = Interrupt Source: ADC10IN Interrupt flag; Interrupt Flag: ADC10INIFG 0Ch = Interrupt Source: ADC10_B memory Interrupt flag; Interrupt Flag: ADC10IFG0; Interrupt Priority: Lowest

Comparator_D

Comparator_D is an analog voltage comparator. This chapter describes the Comparator_D. Comparator_D supports general comparator functionality for up to 16 channels.

Topic	Page
17.1 Comparator_D Introduction	462
17.2 Comparator_D Operation.....	463
17.3 Comparator_D Registers	468

17.1 Comparator_D Introduction

The Comparator_D module supports precision slope analog-to-digital conversions, supply voltage supervision, and monitoring of external analog signals.

Features of Comparator_D include:

- Inverting and noninverting terminal input multiplexer
- Software-selectable RC filter for the comparator output
- Output provided to Timer_A capture input
- Software control of the port input buffer
- Interrupt capability
- Selectable reference voltage generator, voltage hysteresis generator
- Reference voltage input from shared reference
- Interrupt driven measurement system – low-power operation support

Figure 17-1 shows the Comparator_D block diagram.

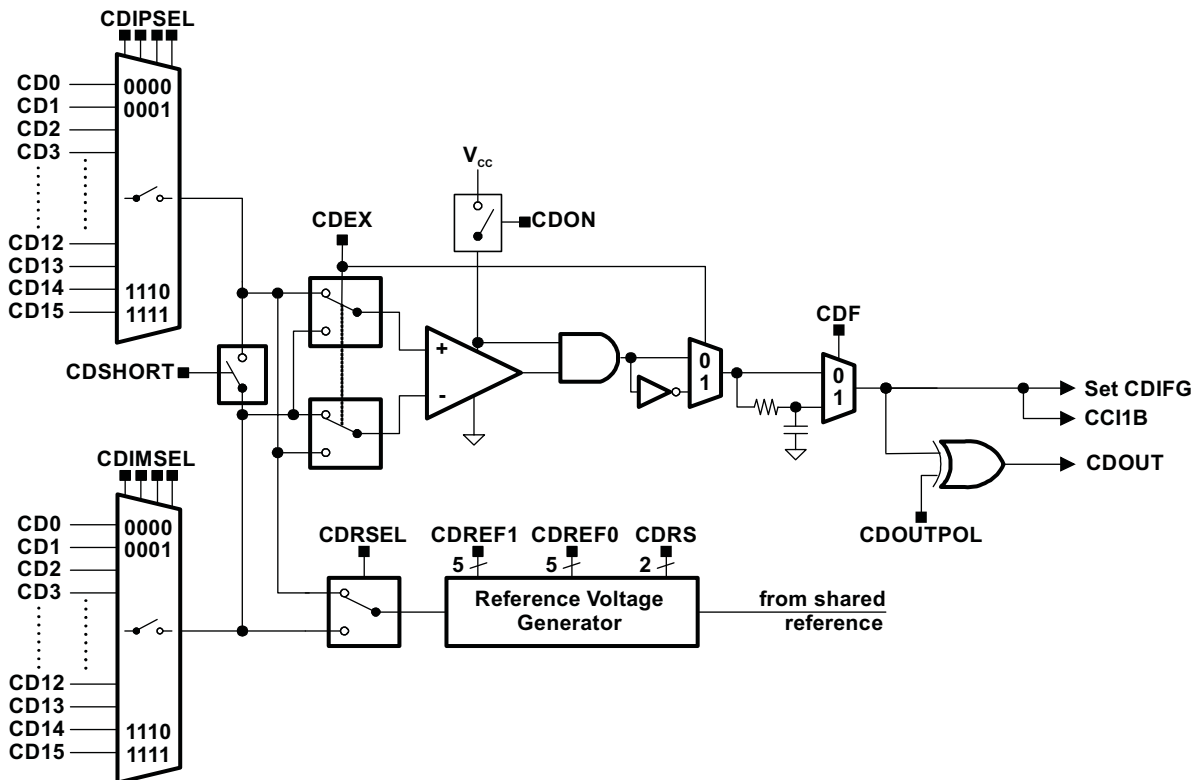


Figure 17-1. Comparator_D Block Diagram

17.2 Comparator_D Operation

The Comparator_D module is configured by user software. The setup and operation of Comparator_D is discussed in the following sections.

17.2.1 Comparator

The comparator compares the analog voltages at the + and – input terminals. If the + terminal is more positive than the – terminal, the comparator output CDOUT is high. The comparator can be switched on or off using control bit CDON. The comparator should be switched off when not in use to reduce current consumption. When the comparator is switched off, CDOUT is always low.

To optimize current consumption for the application, the lowest power mode that meets the comparator speed requirements (see the device-specific data sheet for the comparator propagation delay and response time) should be selected with the CDPWRMD bits. The CDPWRMD bits default to 0x0, which is the highest power and fastest speed. CDPWRMD = 0x2 is the lowest power and slowest speed option.

17.2.2 Analog Input Switches

The analog input switches connect or disconnect the two comparator input terminals to associated port pins using the CDIPSELx and CDIMSELx bits. The comparator terminal inputs can be controlled individually. The CDIPSELx and CDIMSELx bits allow:

- Application of an external signal to the + and – terminals of the comparator
- Application of an external current source (for example, a resistor) to the + or – terminal of the comparator
- The mapping of both terminals of the internal multiplexer to the outside

Internally, the input switch is constructed as a T-switch to suppress distortion in the signal path.

NOTE: Comparator Input Connection

When the comparator is on, the input terminals should be connected to a signal, power, or ground. Otherwise, floating levels may cause unexpected interrupts and increased current consumption.

The CDEX bit controls the input multiplexer, permuting the input signals of the comparator's + and – terminals. Additionally, when the comparator terminals are permuted, the output signal from the comparator is inverted too. This allows the user to determine or compensate for the comparator input offset voltage.

17.2.3 Port Logic

The Px.y pins associated with a comparator channel are enabled by the CDIPSELx or CDIMSELx bits to disable its digital components while used as comparator input. Only one of the comparator input pins is selected as input to the comparator by the input multiplexer at a time.

17.2.4 Input Short Switch

The CDSHORT bit shorts the Comparator_D inputs. This can be used to build a simple sample-and-hold for the comparator as shown in [Figure 17-2](#).

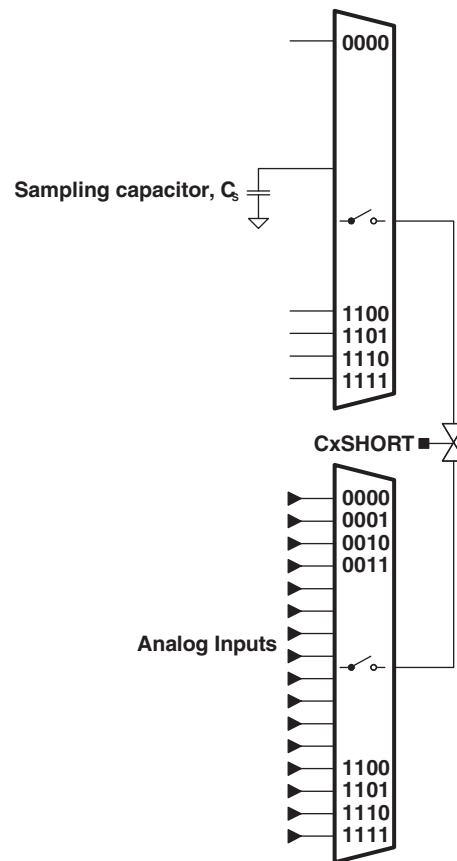


Figure 17-2. Comparator_D Sample-And-Hold

The required sampling time is proportional to the size of the sampling capacitor (C_S), the resistance of the input switches in series with the short switch (R_i), and the resistance of the external source (R_S). The sampling capacitor C_S should be greater than 100 pF. The time constant, τ , to charge the sampling capacitor C_S can be calculated with the following equation:

$$\tau = (R_i + R_S) \times C_S$$

Depending on the required accuracy, 3 to 10 τ should be used as a sampling time. With 3 τ the sampling capacitor is charged to approximately 95% of the input signals voltage level, with 5 τ it is charged to more than 99%, and with 10 τ the sampled voltage is sufficient for 12-bit accuracy.

17.2.5 Output Filter

The output of the comparator can be used with or without internal filtering. When control bit CDF is set, the output is filtered with an on-chip RC filter. The delay of the filter can be adjusted in four different steps.

All comparator outputs oscillate if the voltage difference across the input terminals is small (see [Figure 17-3](#)). Internal and external parasitic effects and cross coupling on and between signal lines, power supply lines, and other parts of the system are responsible for this behavior. The comparator output oscillation reduces the accuracy and resolution of the comparison result. Selecting the output filter can reduce errors associated with comparator oscillation.

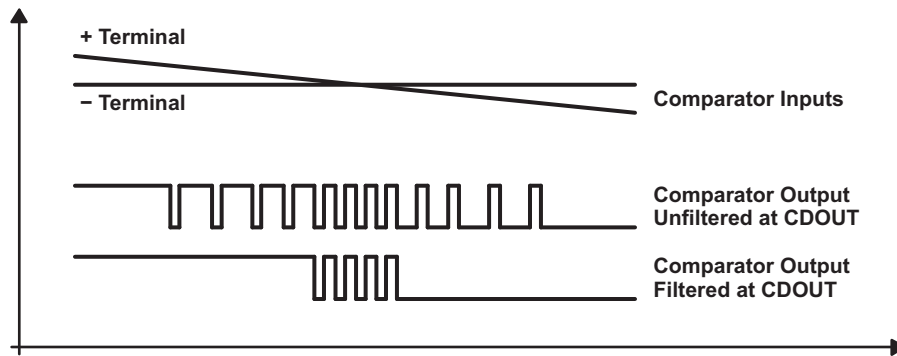


Figure 17-3. RC-Filter Response at the Output of the Comparator

17.2.6 Reference Voltage Generator

The Comparator_D reference block diagram is shown in Figure 17-4.

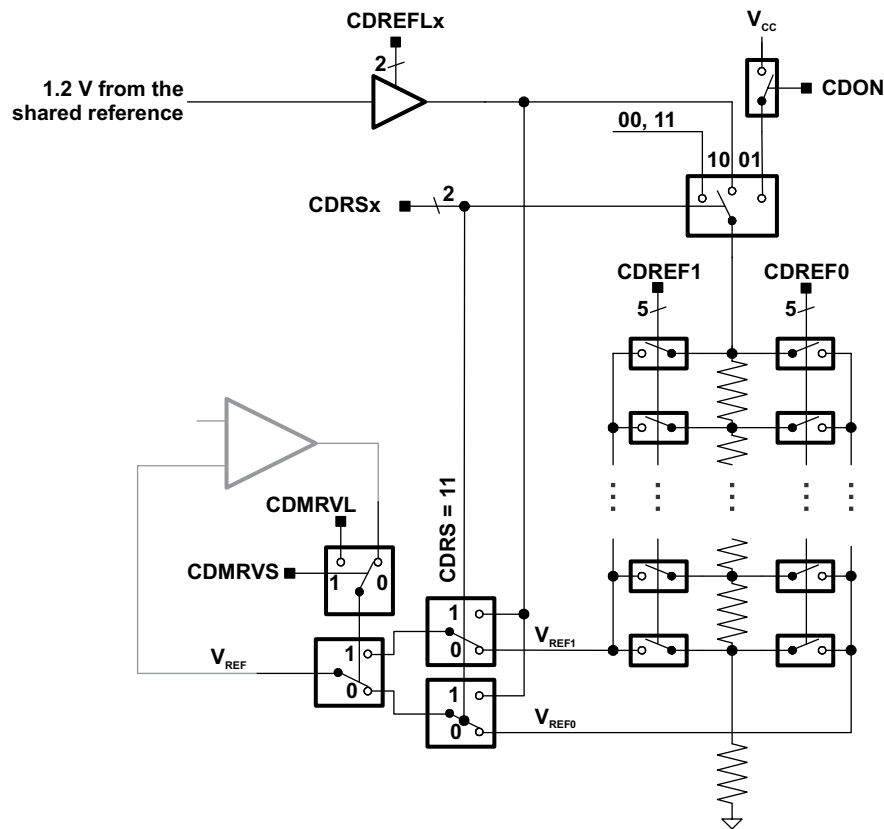


Figure 17-4. Reference Generator Block Diagram

The voltage reference generator is used to generate VREF, which can be applied to either comparator input terminal. The CDREF1x (VREF1) and CDREF0x (VREF0) bits control the output of the voltage generator. The CDRSEL bit selects the comparator terminal to which VREF is applied. If external signals are applied to both comparator input terminals, the internal reference generator should be turned off to reduce current consumption. The voltage reference generator can generate a fraction of the device's V_{CC} or of the voltage reference of the integrated precision voltage reference source. Vref1 is used while CDOUT is 1 and Vref0 is used while CDOUT is 0. This allows the generation of a hysteresis without using external components.

The resources used to calculate the temperature sensed by R_{meas} are:

- Two digital I/O pins charge and discharge the capacitor.
- I/O is set to output high (V_{CC}) to charge capacitor, reset to discharge.
- I/O is switched to high-impedance input with CDPDx set when not in use.
- One output charges and discharges the capacitor through R_{ref} .
- One output discharges capacitor through R_{meas} .
- The + terminal is connected to the positive terminal of the capacitor.
- The – terminal is connected to a reference level; for example, $0.25 \times V_{\text{CC}}$.
- The output filter should be used to minimize switching noise.
- CDOUT is used to gate a timer capturing capacitor discharge time.

More than one resistive element can be measured. Additional elements are connected to CD0 with available I/O pins and switched to high impedance when not being measured.

The thermistor measurement is based on a ratiometric conversion principle. The ratio of two capacitor discharge times is calculated as shown in [Figure 17-7](#).

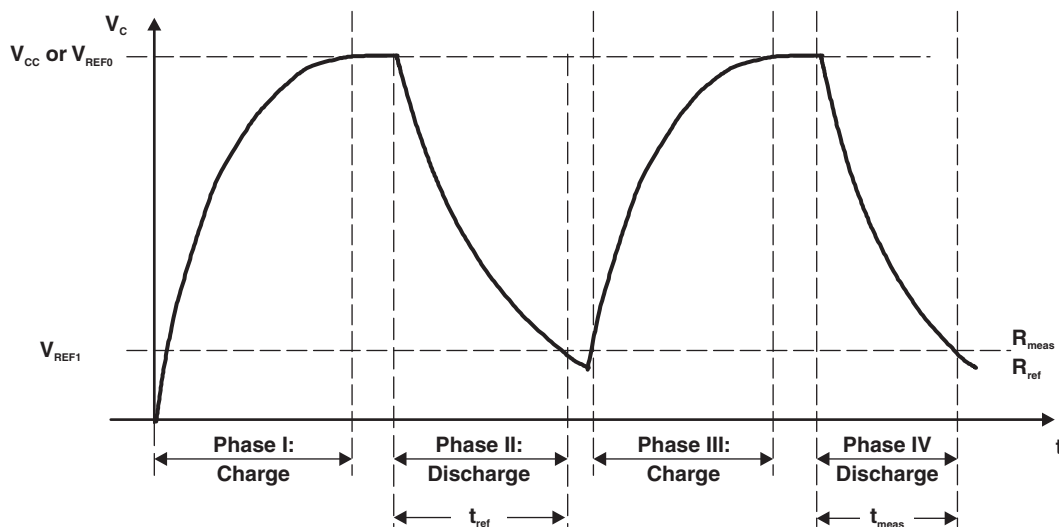


Figure 17-7. Timing for Temperature Measurement Systems

The V_{CC} voltage and the capacitor value should remain constant during the conversion but are not critical, because they cancel in the ratio:

$$\frac{N_{\text{meas}}}{N_{\text{ref}}} = \frac{-R_{\text{meas}} \times C \times \ln \frac{V_{\text{ref1}}}{V_{\text{CC}}}}{-R_{\text{ref}} \times C \times \ln \frac{V_{\text{ref1}}}{V_{\text{CC}}}}$$

$$\frac{N_{\text{meas}}}{N_{\text{ref}}} = \frac{R_{\text{meas}}}{R_{\text{ref}}}$$

$$R_{\text{meas}} = R_{\text{ref}} \times \frac{N_{\text{meas}}}{N_{\text{ref}}}$$

17.3 Comparator_D Registers

The Comparator_D registers are listed in [Table 17-1](#). The base address of the Comparator_D module can be found in the device-specific data sheet.

Table 17-1. Comparator_D Registers

Offset	Acronym	Register Name	Type	Reset	Section
00h	CDCTL0	Comparator_D control register 0	Read/write	0000h	Section 17.3.1
02h	CDCTL1	Comparator_D control register 1	Read/write	0000h	Section 17.3.2
04h	CDCTL2	Comparator_D control register 2	Read/write	0000h	Section 17.3.3
06h	CDCTL3	Comparator_D control register 3	Read/write	0000h	Section 17.3.4
0Ch	CDINT	Comparator_D interrupt register	Read/write	0000h	Section 17.3.5
0Eh	CDIV	Comparator_D interrupt vector word	Read	0000h	Section 17.3.6

17.3.1 CDCTL0 Register

Comparator_D Control Register 0

Figure 17-8. CDCTL0 Register

15	14	13	12	11	10	9	8
CDIMEN	Reserved			CDIMSEL			
rw-0	r-0	r-0	r-0	rw-0	rw-0	rw-0	rw-0
7	6	5	4	3	2	1	0
CDIPEN	Reserved			CDIPSEL			
rw-0	r-0	r-0	r-0	rw-0	rw-0	rw-0	rw-0

Table 17-2. CDCTL0 Register Description

Bit	Field	Type	Reset	Description
15	CDIMEN	RW	0h	Channel input enable for the V ⁻ terminal of the comparator. 0b = Selected analog input channel for V ⁻ terminal is disabled. 1b = Selected analog input channel for V ⁻ terminal is enabled.
14-12	Reserved	R	0h	Reserved. Always reads as 0.
11-8	CDIMSEL	RW	0h	Channel input selected for the V ⁻ terminal of the comparator if CDIMEN is set to 1.
7	CDIPEN	RW	0h	Channel input enable for the V ⁺ terminal of the comparator. 0b = Selected analog input channel for V ⁺ terminal is disabled. 1b = Selected analog input channel for V ⁺ terminal is enabled.
6-4	Reserved	R	0h	Reserved. Always reads as 0.
3-0	CDIPSEL	RW	0h	Channel input selected for the V ⁺ terminal of the comparator if CDIPEN is set to 1.

17.3.2 CDCTL1 Register

Comparator_D Control Register 1

Figure 17-9. CDCTL1 Register

15	14	13	12	11	10	9	8
Reserved			CDMRVS	CDMRVL	CDON	Reserved	
r-0	r-0	r-0	rw-0	rw-0	rw-0	r-0	r-0
7	6	5	4	3	2	1	0
CDFDLY		CDEX	CDSHORT	CDIES	CDF	CDOUTPOL	CDOUT
rw-0	rw-0	rw-0	rw-0	rw-0	rw-0	rw-0	r-0

Table 17-3. CDCTL1 Register Description

Bit	Field	Type	Reset	Description
15-13	Reserved	R	0h	Reserved. Always reads as 0.
12	CDMRVS	RW	0h	This bit defines if the comparator output selects between VREF0 or VREF1 if CDRS = 00b, 01b, or 10b. 0b = Comparator output state selects between VREF0 or VREF1. 1b = CDMRVL selects between VREF0 or VREF1.
11	CDMRVL	RW	0h	This bit is valid if CDMRVS is set to 1. 0b = VREF0 is selected if CDRS = 00b, 01b, or 10b. 1b = VREF1 is selected if CDRS = 00b, 01b, or 10b.
10	CDON	RW	0h	On. This bit turns the comparator on. When the comparator is turned off the Comparator_D consumes no power. 0b = Off 1b = On
9-8	Reserved	R	0h	Reserved. Always reads as 0.
7-6	CDFDLY	RW	0h	Filter delay. The filter delay can be selected in 4 steps. See the device specific data sheet for details. 00b = Typical filter delay of 0.5 μ s 01b = Typical filter delay of 0.9 μ s 10b = Typical filter delay of 1.6 μ s 11b = Typical filter delay of 3 μ s
5	CDEX	RW	0h	Exchange. This bit permutes the comparator 0 inputs and inverts the comparator 0 output.
4	CDSHORT	RW	0h	Input short. This bit shorts the + and – input terminals. 0b = Inputs not shorted 1b = Inputs shorted
3	CDIES	RW	0h	Interrupt edge select for CDIIFG and CDIFG 0b = Rising edge for CDIFG, falling edge for CDIIFG 1b = Falling edge for CDIFG, rising edge for CDIIFG
2	CDF	RW	0h	Output filter 0b = Comparator_D output is not filtered 1b = Comparator_D output is filtered
1	CDOUTPOL	RW	0h	Output polarity. This bit defines the CDOUT polarity. 0b = Noninverted 1b = Inverted
0	CDOUT	R	0h	Output value. This bit reflects the value of the Comparator_D output. Writing this bit has no effect on the comparator output.

17.3.3 CDCTL2 Register

Comparator_D Control Register 2

Figure 17-10. CDCTL2 Register

15	14	13	12	11	10	9	8
CDREFACC	CDREFL		CDREF1				
rw-0	rw-0	rw-0	rw-0	rw-0	rw-0	rw-0	rw-0
7	6	5	4	3	2	1	0
CDRS		CDRSEL	CDREF0				
rw-0	rw-0	rw-0	rw-0	rw-0	rw-0	rw-0	rw-0

Table 17-4. CDCTL2 Register Description

Bit	Field	Type	Reset	Description
15	CDREFACC	RW	0h	Reference accuracy. A reference voltage is requested only if CDREFL > 0. 0b = Static mode 1b = Clocked (low-power, low-accuracy) mode
14-13	CDREFL	RW	0h	Reference voltage level 00b = Reference amplifier is disabled. No reference voltage is requested. 01b = 1.5 V is selected as shared reference voltage input 10b = 2.0 V is selected as shared reference voltage input 11b = 2.5 V is selected as shared reference voltage input
12-8	CDREF1	RW	0h	Reference resistor tap 1. This register defines the tap of the resistor string while CDOUT = 1.
7-6	CDRS	RW	0h	Reference source. This bit define if the reference voltage is derived from VCC or from the precise shared reference. 00b = No current is drawn by the reference circuitry. 01b = VCC applied to the resistor ladder 10b = Shared reference voltage applied to the resistor ladder. 11b = Shared reference voltage supplied to V _{CREF} . Resistor ladder is off.
5	CDRSEL	RW	0h	Reference select. This bit selects which terminal the V(CCREF) is applied to. When CDEX = 0: 0b = V _{REF} is applied to the + terminal 1b = V _{REF} is applied to the – terminal When CDEX = 1: 0b = V _{REF} is applied to the – terminal 1b = V _{REF} is applied to the + terminal
4-0	CDREF0	RW	0h	Reference resistor tap 0. This register defines the tap of the resistor string while CDOUT = 0.

17.3.4 CDCTL3 Register

Comparator_D Control Register 3

Figure 17-11. CDCTL3 Register

15	14	13	12	11	10	9	8
CDPD15	CDPD14	CDPD13	CDPD12	CDPD11	CDPD10	CDPD9	CDPD8
rw-(0)	rw-(0)	rw-(0)	rw-(0)	rw-(0)	rw-(0)	rw-(0)	rw-(0)
7	6	5	4	3	2	1	0
CDPD7	CDPD6	CDPD5	CDPD4	CDPD3	CDPD2	CDPD1	CDPD0
rw-(0)	rw-(0)	rw-(0)	rw-(0)	rw-(0)	rw-(0)	rw-(0)	rw-(0)

Table 17-5. CDCTL3 Register Description

Bit	Field	Type	Reset	Description
15-0	CDPDx	RW	0h	Port disable. These bits individually disable the input buffer for the pins of the port associated with Comparator_D. The bit CDPDx disabled the port of the comparator channel x. 0b = The input buffer is enabled 1b = The input buffer is disabled

17.3.5 CDINT Register

Comparator_D Interrupt Control Register

Figure 17-12. CDINT Register

15	14	13	12	11	10	9	8
Reserved						CDIIE	CDIE
r-0	r-0	r-0	r-0	r-0	r-0	rw-0	rw-0
7	6	5	4	3	2	1	0
Reserved						CDIIFG	CDIFG
r-0	r-0	r-0	r-0	r-0	r-0	rw-0	rw-0

Table 17-6. CDINT Register Description

Bit	Field	Type	Reset	Description
15-10	Reserved	R	0h	Reserved. Always reads as 0.
9	CDIIE	RW	0h	Comparator_D output interrupt enable inverted polarity 0b = Interrupt is disabled 1b = Interrupt is enabled
8	CDIE	RW	0h	Comparator_D output interrupt enable 0b = Interrupt is disabled 1b = Interrupt is enabled
7-2	Reserved	R	0h	Reserved. Always reads as 0.
1	CDIIFG	RW	0h	Comparator_D output inverted interrupt flag. The bit CDIES defines the transition of the output setting this bit. 0b = No interrupt pending 1b = Output interrupt pending
0	CDIFG	RW	0h	Comparator_D output interrupt flag. The bit CDIES defines the transition of the output setting this bit. 0b = No interrupt pending 1b = Output interrupt pending

17.3.6 CDIV Register

Comparator_D Interrupt Vector Word Register

Figure 17-13. CDIV Register

15	14	13	12	11	10	9	8
CDIV							
r0	r0	r0	r0	r0	r0	r0	r0
7	6	5	4	3	2	1	0
CDIV							
r0	r0	r0	r0	r0	r-(0)	r-(0)	r0

Table 17-7. CDIV Register Description

Bit	Field	Type	Reset	Description
15-0	CDIV	R	0h	Comparator_D interrupt vector word register. The interrupt vector register reflects only interrupt flags whose interrupt enable bit are set. Reading the CDIV register clears the pending interrupt flag with the highest priority. 00h = No interrupt pending 02h = Interrupt Source: CDOUT interrupt; Interrupt Flag: CDIFG; Interrupt Priority: Highest 04h = Interrupt Source: CDOUT interrupt inverted polarity; Interrupt Flag: CDIIFG; Interrupt Priority: Lowest

Enhanced Universal Serial Communication Interface (eUSCI) – UART Mode

The enhanced universal serial communication interface A (eUSCI_A) supports multiple serial communication modes with one hardware module. This chapter discusses the operation of the asynchronous UART mode.

Topic	Page
18.1 Enhanced Universal Serial Communication Interface A (eUSCI_A) Overview	476
18.2 eUSCI_A Introduction – UART Mode	476
18.3 eUSCI_A Operation – UART Mode	478
18.4 eUSCI_A UART Registers	494

18.1 Enhanced Universal Serial Communication Interface A (eUSCI_A) Overview

The eUSCI_A module supports two serial communication modes:

- UART mode
- SPI mode

18.2 eUSCI_A Introduction – UART Mode

In asynchronous mode, the eUSCI_Ax modules connect the device to an external system through two external pins, UCAXRXD and UCAXTXD. UART mode is selected when the UCSYNC bit is cleared.

UART mode features include:

- 7-bit or 8-bit data with odd, even, or no parity
- Independent transmit and receive shift registers
- Separate transmit and receive buffer registers
- LSB-first or MSB-first data transmit and receive
- Built-in idle-line and address-bit communication protocols for multiprocessor systems
- Receiver start edge detection for automatic wake from LPMx modes (wake from LPMx.5 is not supported)
- Programmable baud rate with modulation for fractional baud-rate support
- Status flags for error detection and suppression
- Status flags for address detection
- Independent interrupt capability for receive, transmit, start bit received, and transmit complete

[Figure 18-1](#) shows the eUSCI_Ax when configured for UART mode.

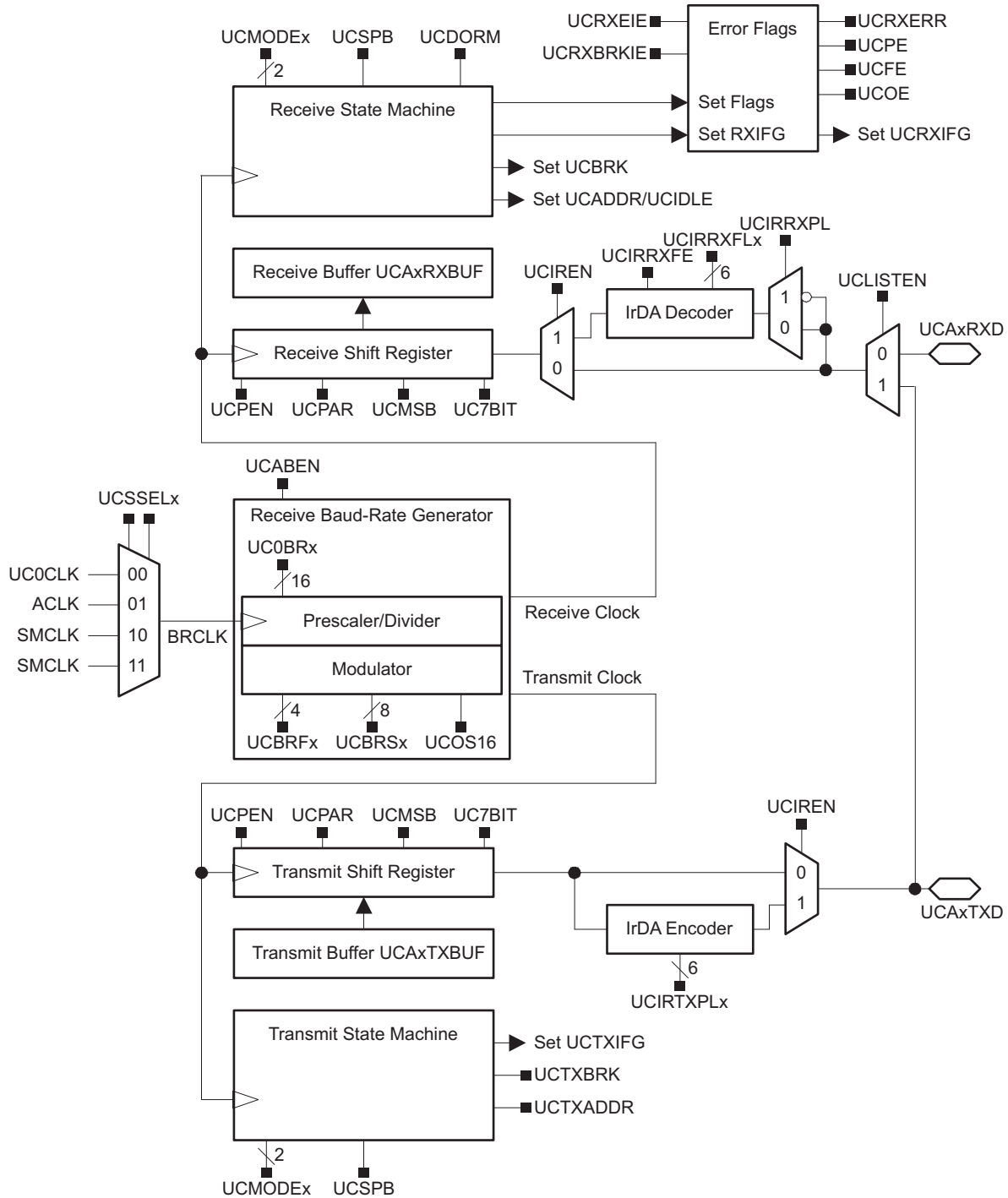


Figure 18-1. eUSCI_Ax Block Diagram – UART Mode (UCSYNC = 0)

18.3 eUSCI_A Operation – UART Mode

In UART mode, the eUSCI_A transmits and receives characters at a bit rate asynchronous to another device. Timing for each character is based on the selected baud rate of the eUSCI_A. The transmit and receive functions use the same baud-rate frequency.

18.3.1 eUSCI_A Initialization and Reset

The eUSCI_A is reset by a PUC or by setting the UCSWRST bit. After a PUC, the UCSWRST bit is automatically set, keeping the eUSCI_A in a reset condition. When set, the UCSWRST bit sets the UCTXIFG bit and resets the UCRXIE, UCTXIE, UCRXIFG, UCRXERR, UCBRK, UCPE, UCOE, UCFE, UCSTOE, and UCBTOE bits. Clearing UCSWRST releases the eUSCI_A for operation.

Configuring and reconfiguring the eUSCI_A module should be done when UCSWRST is set to avoid unpredictable behavior.

NOTE: Initializing or reconfiguring the eUSCI_A module

The recommended eUSCI_A initialization/reconfiguration process is:

1. Set UCSWRST (BIS.B
#UCSWRST, &UCAxCTL1).
 2. Initialize all eUSCI_A registers with UCSWRST = 1 (including UCAxCTL1).
 3. Configure ports.
 4. Clear UCSWRST through software (BIC.B
#UCSWRST, &UCAxCTL1).
 5. Enable interrupts (optional) through UCRXIE or UCTXIE.
-

18.3.2 Character Format

The UART character format (see [Figure 18-2](#)) consists of a start bit, seven or eight data bits, an even/odd/no parity bit, an address bit (address-bit mode), and one or two stop bits. The UCMSB bit controls the direction of the transfer and selects LSB or MSB first. LSB first is typically required for UART communication.

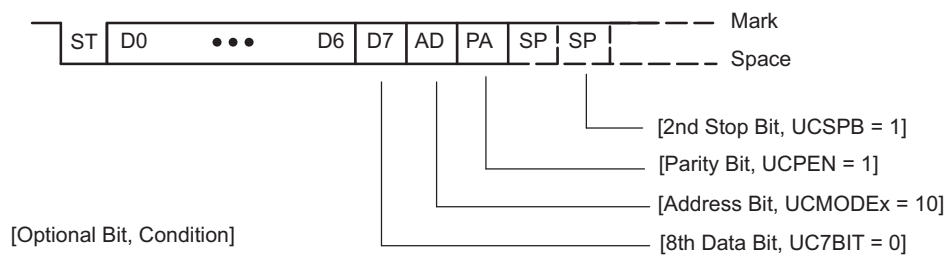


Figure 18-2. Character Format

18.3.3 Asynchronous Communication Format

When two devices communicate asynchronously, no multiprocessor format is required for the protocol. When three or more devices communicate, the eUSCI_A supports the idle-line and address-bit multiprocessor communication formats.

18.3.3.1 Idle-Line Multiprocessor Format

When UCMODEx = 01, the idle-line multiprocessor format is selected. Blocks of data are separated by an idle time on the transmit or receive lines (see [Figure 18-3](#)). An idle receive line is detected when ten or more continuous ones (marks) are received after the one or two stop bits of a character. The baud-rate generator is switched off after reception of an idle line until the next start edge is detected. When an idle line is detected, the UCIDLE bit is set.

The first character received after an idle period is an address character. The UCIDLE bit is used as an address tag for each block of characters. In idle-line multiprocessor format, this bit is set when a received character is an address.

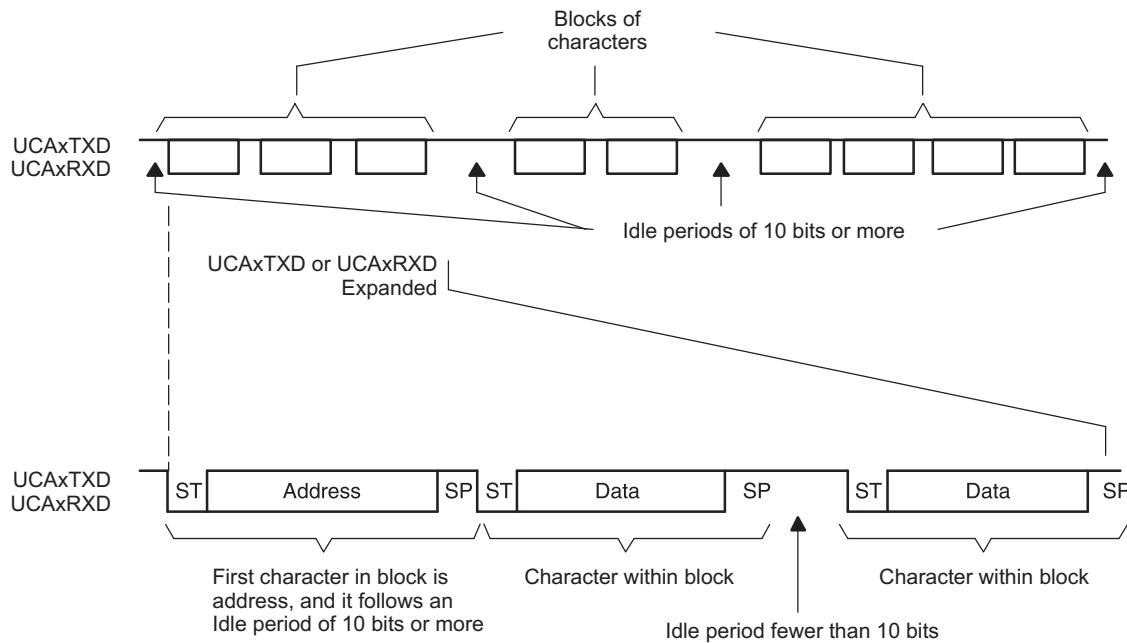


Figure 18-3. Idle-Line Format

The UCDORM bit is used to control data reception in the idle-line multiprocessor format. When UCDORM = 1, all non-address characters are assembled but not transferred into the UCAxRXBUF, and interrupts are not generated. When an address character is received, the character is transferred into UCAxRXBUF, UCRXIFG is set, and any applicable error flag is set when UCRXEIE = 1. When UCRXEIE = 0 and an address character is received but has a framing error or parity error, the character is not transferred into UCAxRXBUF and UCRXIFG is not set.

If an address is received, user software can validate the address and must reset UCDORM to continue receiving data. If UCDORM remains set, only address characters are received. When UCDORM is cleared during the reception of a character, the receive interrupt flag is set after the reception completed. The UCDORM bit is not modified automatically by the eUSCI_A hardware.

For address transmission in idle-line multiprocessor format, a precise idle period can be generated by the eUSCI_A to generate address character identifiers on UCAxTXD. The double-buffered UCTXADDR flag indicates if the next character loaded into UCAxTXBUF is preceded by an idle line of 11 bits. UCTXADDR is automatically cleared when the start bit is generated.

18.3.3.1.1 Transmitting an Idle Frame

The following procedure sends out an idle frame to indicate an address character followed by associated data:

1. Set UCTXADDR, then write the address character to UCAxTXBUF. UCAxTXBUF must be ready for new data (UCTXIFG = 1).

This generates an idle period of exactly 11 bits followed by the address character. UCTXADDR is reset automatically when the address character is transferred from UCAxTXBUF into the shift register.

2. Write desired data characters to UCAxTXBUF. UCAxTXBUF must be ready for new data (UCTXIFG = 1).

The data written to UCAxTXBUF is transferred to the shift register and transmitted as soon as the shift register is ready for new data.

The idle-line time must not be exceeded between address and data transmission or between data transmissions. Otherwise, the transmitted data is misinterpreted as an address.

18.3.3.2 Address-Bit Multiprocessor Format

When UCMODEx = 10, the address-bit multiprocessor format is selected. Each processed character contains an extra bit used as an address indicator (see Figure 18-4). The first character in a block of characters carries a set address bit that indicates that the character is an address. The eUSCI_A UCADDR bit is set when a received character has its address bit set and is transferred to UCAXRXBUF.

The UCDORM bit is used to control data reception in the address-bit multiprocessor format. When UCDORM is set, data characters with address bit = 0 are assembled by the receiver but are not transferred to UCAXRXBUF and no interrupts are generated. When a character containing a set address bit is received, the character is transferred into UCAXRXBUF, UCRXIFG is set, and any applicable error flag is set when UCRXEIE = 1. When UCRXEIE = 0 and a character containing a set address bit is received but has a framing error or parity error, the character is not transferred into UCAXRXBUF and UCRXIFG is not set.

If an address is received, user software can validate the address and must reset UCDORM to continue receiving data. If UCDORM remains set, only address characters with address bit = 1 are received. The UCDORM bit is not modified by the eUSCI_A hardware automatically.

When UCDORM = 0, all received characters set the receive interrupt flag UCRXIFG. If UCDORM is cleared during the reception of a character, the receive interrupt flag is set after the reception is completed.

For address transmission in address-bit multiprocessor mode, the address bit of a character is controlled by the UCTXADDR bit. The value of the UCTXADDR bit is loaded into the address bit of the character transferred from UCAXTXBUF to the transmit shift register. UCTXADDR is automatically cleared when the start bit is generated.

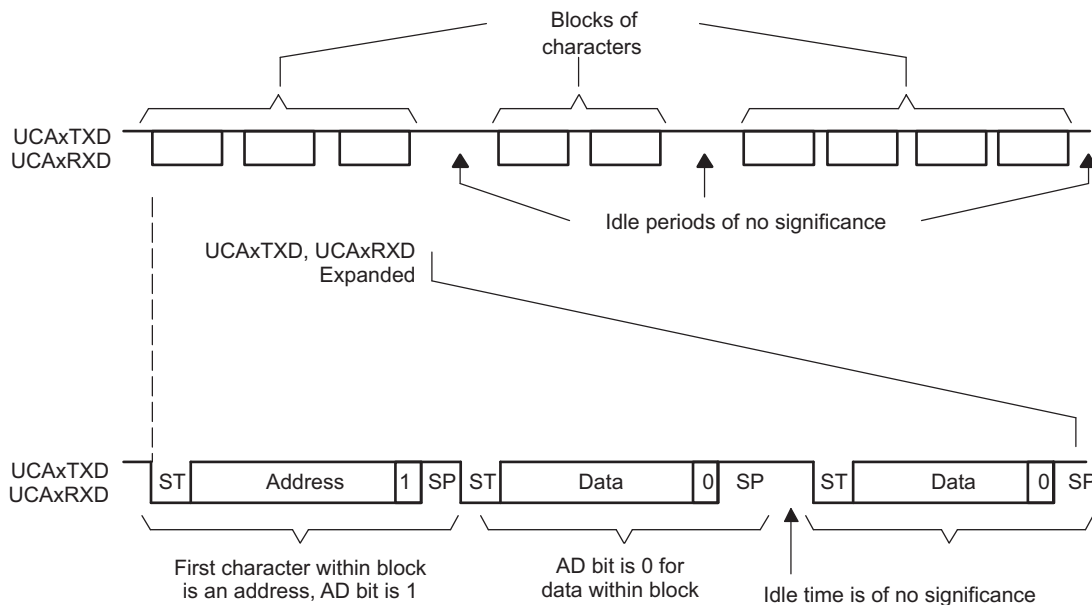


Figure 18-4. Address-Bit Multiprocessor Format

18.3.3.2.1 Break Reception and Generation

When UCMODEx = 00, 01, or 10, the receiver detects a break when all data, parity, and stop bits are low, regardless of the parity, address mode, or other character settings. When a break is detected, the UCBRK bit is set. If the break interrupt enable bit (UCBRKIE) is set, the receive interrupt flag UCRXIFG is also set. In this case, the value in UCAXRXBUF is 0h, because all data bits were zero.

To transmit a break, set the UCTXBRK bit, then write 0h to UCAXTXBUF. UCAXTXBUF must be ready for new data (UCTXIFG = 1). This generates a break with all bits low. UCTXBRK is automatically cleared when the start bit is generated.

18.3.4 Automatic Baud-Rate Detection

When UCMODEx = 11, UART mode with automatic baud-rate detection is selected. For automatic baud-rate detection, a data frame is preceded by a synchronization sequence that consists of a break and a synch field. A break is detected when 11 or more continuous zeros (spaces) are received. If the length of the break exceeds 21 bit times, the break timeout error flag UCBTOE is set. The eUSCI_A cannot transmit data while receiving the break/synch field. The synch field follows the break as shown in Figure 18-5.

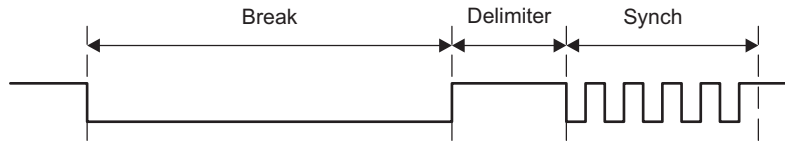


Figure 18-5. Auto Baud-Rate Detection – Break/Synch Sequence

For LIN conformance, the character format should be set to eight data bits, LSB first, no parity, and one stop bit. No address bit is available.

The synch field consists of the data 055h inside a byte field (see Figure 18-6). The synchronization is based on the time measurement between the first falling edge and the last falling edge of the pattern. The transmit baud-rate generator is used for the measurement if automatic baud-rate detection is enabled by setting UCABDEN. Otherwise, the pattern is received but not measured. The result of the measurement is transferred into the baud-rate control registers (UCAxBRW and UCAxMCTLW). If the length of the synch field exceeds the measurable time, the synch timeout error flag UCSTOE is set. The result can be read after the receive interrupt flag UCRXIFG is set.

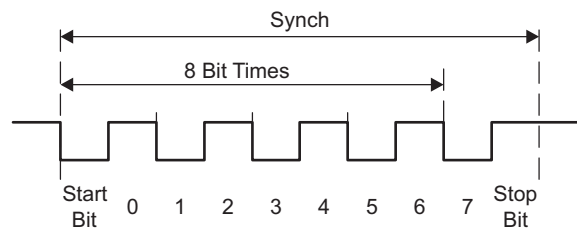


Figure 18-6. Auto Baud-Rate Detection – Synch Field

The UCDORM bit is used to control data reception in this mode. When UCDORM is set, all characters are received but not transferred into the UCAxRXBUF, and interrupts are not generated. When a break/synch field is detected, the UCBRK flag is set. The character following the break/synch field is transferred into UCAxRXBUF and the UCRXIFG interrupt flag is set. Any applicable error flag is also set. If the UCBRKIE bit is set, reception of the break/synch sets the UCRXIFG. The UCBRK bit is reset by user software or by reading the receive buffer UCAxRXBUF.

When a break/synch field is received, user software must reset UCDORM to continue receiving data. If UCDORM remains set, only the character after the next reception of a break/synch field is received. The UCDORM bit is not modified by the eUSCI_A hardware automatically.

When UCDORM = 0, all received characters set the receive interrupt flag UCRXIFG. If UCDORM is cleared during the reception of a character, the receive interrupt flag is set after the reception is complete.

The counter used to detect the baud rate is limited to 0FFFFh (2¹⁶) counts. This means the minimum baud rate detectable is 244 baud in oversampling mode and 15 baud in low-frequency mode. The highest detectable baud rate is 1 Mbaud.

The automatic baud-rate detection mode can be used in a full-duplex communication system with some restrictions. The eUSCI_A cannot transmit data while receiving the break/synch field and, if a 0h byte with framing error is received, any data transmitted during this time is corrupted. The latter case can be discovered by checking the received data and the UCFE bit.

18.3.4.1 Transmitting a Break/Synch Field

The following procedure transmits a break/synch field:

1. Set UCTXBRK with UMODEx = 11.
2. Write 055h to UCAxTXBUF. UCAxTXBUF must be ready for new data (UCTXIFG = 1).
This generates a break field of 13 bits followed by a break delimiter and the synch character. The length of the break delimiter is controlled with the UCDELIMx bits. UCTXBRK is reset automatically when the synch character is transferred from UCAxTXBUF into the shift register.
3. Write desired data characters to UCAxTXBUF. UCAxTXBUF must be ready for new data (UCTXIFG = 1).
The data written to UCAxTXBUF is transferred to the shift register and transmitted as soon as the shift register is ready for new data.

18.3.5 IrDA Encoding and Decoding

When UCIREN is set, the IrDA encoder and decoder are enabled and provide hardware bit shaping for IrDA communication.

18.3.5.1 IrDA Encoding

The encoder sends a pulse for every zero bit in the transmit bitstream coming from the UART (see [Figure 18-7](#)). The pulse duration is defined by UCIRTXPLx bits specifying the number of one-half clock periods of the clock selected by UCIRTXCLK.

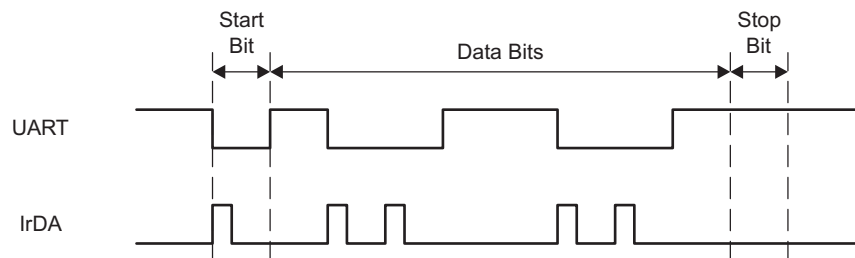


Figure 18-7. UART vs IrDA Data Format

To set the pulse time of 3/16 bit period required by the IrDA standard, the BITCLK16 clock is selected with UCIRTXCLK = 1, and the pulse length is set to six one-half clock cycles with UCIRTXPLx = 6 – 1 = 5.

When UCIRTXCLK = 0, the pulse length t_{PULSE} is based on BRCLK and is calculated as:

$$UCIRTXPLx = t_{PULSE} \times 2 \times f_{BRCLK} - 1$$

When UCIRTXCLK = 0, the prescaler UCBRx must be set to a value greater or equal to 5.

18.3.5.2 IrDA Decoding

The decoder detects high pulses when UCIRRXPL = 0. Otherwise, it detects low pulses. In addition to the analog deglitch filter, an additional programmable digital filter stage can be enabled by setting UCIRRXFE. When UCIRRXFE is set, only pulses longer than the programmed filter length are passed. Shorter pulses are discarded. The equation to program the filter length UCIRRXFLx is:

$$UCIRRXFLx = (t_{PULSE} - t_{WAKE}) \times 2 \times f_{BRCLK} - 4$$

Where:

t_{PULSE} = Minimum receive pulse width

t_{WAKE} = Wake time from any low-power mode. Zero when the device is in active mode.

18.3.6 Automatic Error Detection

Glitch suppression prevents the eUSCI_A from being accidentally started. Any pulse on UCAXRXD shorter than the deglitch time t_d (selected by UCGLITx) is ignored (see the device-specific data sheet for parameters).

When a low period on UCAXRXD exceeds t_d , a majority vote is taken for the start bit. If the majority vote fails to detect a valid start bit, the eUSCI_A halts character reception and waits for the next low period on UCAXRXD. The majority vote is also used for each bit in a character to prevent bit errors.

The eUSCI_A module automatically detects framing errors, parity errors, overrun errors, and break conditions when receiving characters. The bits UCFE, UCPE, UCOE, and UCBRK are set when their respective condition is detected. When the error flags UCFE, UCPE, or UCOE are set, UCRXERR is also set. The error conditions are described in [Table 18-1](#).

Table 18-1. Receive Error Conditions

Error Condition	Error Flag	Description
Framing error	UCFE	A framing error occurs when a low stop bit is detected. When two stop bits are used, both stop bits are checked for framing error. When a framing error is detected, the UCFE bit is set.
Parity error	UCPE	A parity error is a mismatch between the number of 1s in a character and the value of the parity bit. When an address bit is included in the character, it is included in the parity calculation. When a parity error is detected, the UCPE bit is set.
Receive overrun	UCOE	An overrun error occurs when a character is loaded into UCAXRXBUF before the prior character has been read. When an overrun occurs, the UCOE bit is set.
Break condition	UCBRK	When not using automatic baud-rate detection, a break is detected when all data, parity, and stop bits are low. When a break condition is detected, the UCBRK bit is set. A break condition can also set the interrupt flag UCRXIFG if the break interrupt enable UCBRKIE bit is set.

When UCRXEIE = 0 and a framing error or parity error is detected, no character is received into UCAXRXBUF. When UCRXEIE = 1, characters are received into UCAXRXBUF and any applicable error bit is set.

When any of the UCFE, UCPE, UCOE, UCBRK, or UCRXERR bit is set, the bit remains set until user software resets it or UCAXRXBUF is read. UCOE must be reset by reading UCAXRXBUF. Otherwise, it does not function properly. To detect overflows reliably, TI recommends the following flow. After a character is received and UCRXIFG is set, first read UCAXSTATW to check the error flags including the overflow flag UCOE. Read UCAXRXBUF next. This clears all error flags except UCOE, if UCAXRXBUF was overwritten between the read access to UCAXSTATW and to UCAXRXBUF. Therefore, the UCOE flag should be checked after reading UCAXRXBUF to detect this condition. Note that, in this case, the UCRXERR flag is not set.

18.3.7 eUSCI_A Receive Enable

The eUSCI_A module is enabled by clearing the UCSWRST bit and the receiver is ready and in an idle state. The receive baud rate generator is in a ready state but is not clocked nor producing any clocks.

The falling edge of the start bit enables the baud rate generator and the UART state machine checks for a valid start bit. If no valid start bit is detected the UART state machine returns to its idle state and the baud rate generator is turned off again. If a valid start bit is detected, a character is received.

When the idle-line multiprocessor mode is selected with UCMODEx = 01, the UART state machine checks for an idle line after receiving a character. If a start bit is detected, another character is received. Otherwise, the UCIDLE flag is set after 10 ones are received, the UART state machine returns to its idle state, and the baud rate generator is turned off.

18.3.7.1 Receive Data Glitch Suppression

Glitch suppression prevents the eUSCI_A from being accidentally started. Any glitch on UCAXRXD shorter than the deglitch time t_d is ignored by the eUSCI_A, and further action is initiated as shown in [Figure 18-8](#) (see the device-specific data sheet for parameters). The deglitch time t_d can be set to four different values using the UCGLITx bits.

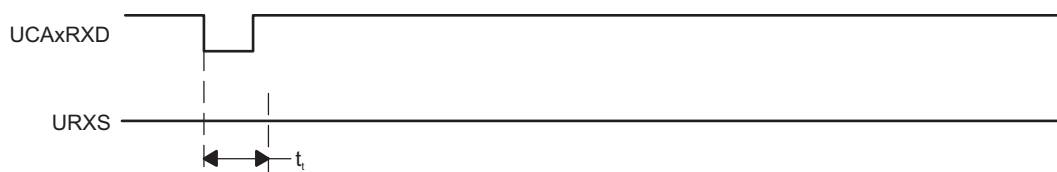


Figure 18-8. Glitch Suppression, eUSCI_A Receive Not Started

When a glitch is longer than t_d or a valid start bit occurs on UCAXRXD, the eUSCI_A receive operation is started and a majority vote is taken (see [Figure 18-9](#)). If the majority vote fails to detect a start bit, the eUSCI_A halts character reception.

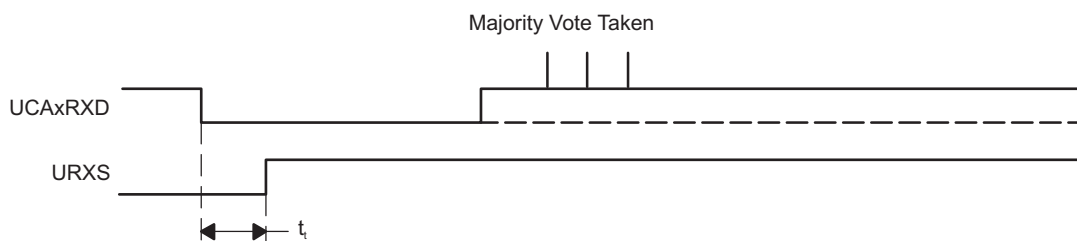


Figure 18-9. Glitch Suppression, eUSCI_A Activated

18.3.8 eUSCI_A Transmit Enable

The eUSCI_A module is enabled by clearing the UCSWRST bit and the transmitter is ready and in an idle state. The transmit baud-rate generator is ready but is not clocked nor producing any clocks.

A transmission is initiated by writing data to UCAXTXBUF. When this occurs, the baud-rate generator is enabled, and the data in UCAXTXBUF is moved to the transmit shift register on the next BITCLK after the transmit shift register is empty. UCTXIFG is set when new data can be written into UCAXTXBUF.

Transmission continues as long as new data is available in UCAXTXBUF at the end of the previous byte transmission. If new data is not in UCAXTXBUF when the previous byte has transmitted, the transmitter returns to its idle state and the baud-rate generator is turned off.

18.3.9 UART Baud-Rate Generation

The eUSCI_A baud-rate generator is capable of producing standard baud rates from nonstandard source frequencies. It provides two modes of operation selected by the UCOS16 bit.

A quick setup for finding the correct baud rate settings for the eUSCI_A can be found in [Section 18.3.10](#).

18.3.9.1 Low-Frequency Baud-Rate Generation

The low-frequency mode is selected when UCOS16 = 0. This mode allows generation of baud rates from low-frequency clock sources (for example, 9600 baud from a 32768-Hz crystal). By using a lower input frequency, the power consumption of the module is reduced. Using this mode with higher frequencies and higher prescaler settings causes the majority votes to be taken in an increasingly smaller window and, thus, decrease the benefit of the majority vote.

In low-frequency mode, the baud-rate generator uses one prescaler and one modulator to generate bit clock timing. This combination supports fractional divisors for baud-rate generation. In this mode, the maximum eUSCI_A baud rate is one-third the UART source clock frequency BRCLK.

Timing for each bit is shown in [Figure 18-10](#). For each bit received, a majority vote is taken to determine the bit value. These samples occur at the $N/2 - 1/2$, $N/2$, and $N/2 + 1/2$ BRCLK periods, where N is the number of BRCLKs per BITCLK.

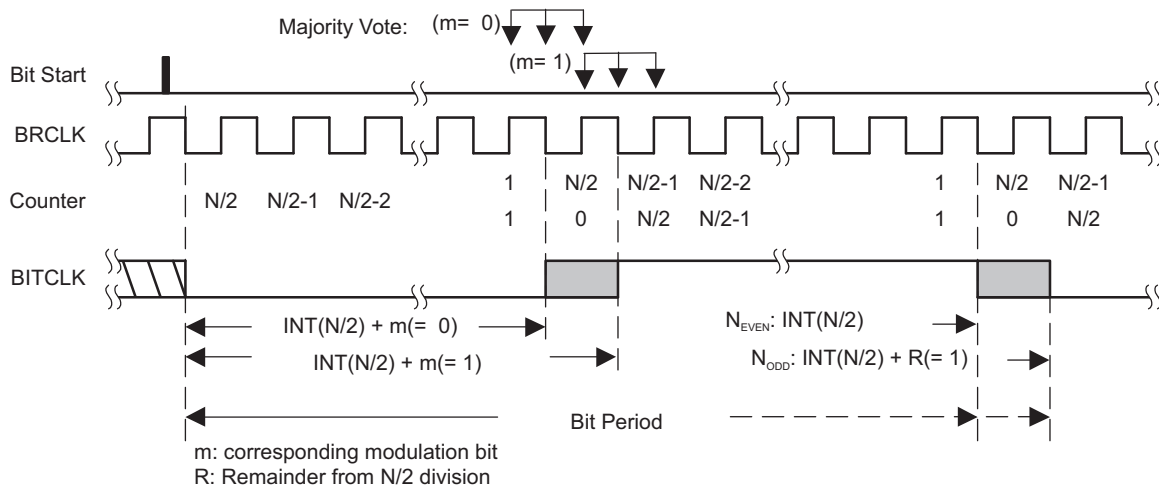


Figure 18-10. BITCLK Baud-Rate Timing With UCOS16 = 0

Modulation is based on the UCBSRx setting as shown in [Table 18-2](#). A 1 in the table indicates that m = 1 and the corresponding BITCLK period is one BRCLK period longer than a BITCLK period with m = 0. The modulation wraps around after 8 bits but restarts with each new start bit.

Table 18-2. Modulation Pattern Examples

UCBSRx	Bit 0 (Start Bit)	Bit 1	Bit 2	Bit 3	Bit 4	Bit 5	Bit 6	Bit 7
0x00	0	0	0	0	0	0	0	0
0x01	0	0	0	0	0	0	0	1
0x35	0	0	1	1	0	1	0	1
0x36	0	0	1	1	0	1	1	0
0x37	0	0	1	1	0	1	1	1
0xff	1	1	1	1	1	1	1	1

The correct setting of UCBSRx can be found as described in [Section 18.3.10](#).

18.3.9.2 Oversampling Baud-Rate Generation

The oversampling mode is selected when UCOS16 = 1. This mode supports sampling a UART bitstream with higher input clock frequencies. This results in majority votes that are always 1/16 of a bit clock period apart. This mode also easily supports IrDA pulses with a 3/16 bit time when the IrDA encoder and decoder are enabled.

This mode uses one prescaler and one modulator to generate the BITCLK16 clock that is 16 times faster than the BITCLK. An additional divider by 16 and modulator stage generates BITCLK from BITCLK16. This combination supports fractional divisions of both BITCLK16 and BITCLK for baud-rate generation. In this mode, the maximum eUSCI_A baud rate is 1/16 the UART source clock frequency BRCLK.

Modulation for BITCLK16 is based on the UCBRFx setting (see [Table 18-3](#)). A 1 in the table indicates that the corresponding BITCLK16 period is one BRCLK period longer than the periods $m = 0$. The modulation restarts with each new bit timing.

Modulation for BITCLK is based on the UCBRsX setting as previously described.

Table 18-3. BITCLK16 Modulation Pattern

UCBRFx	Number of BITCLK16 Clocks After Last Falling BITCLK Edge															
	0	1	2	3	4	5	6	7	8	9	10	11	12	13	14	15
00h	0	0	0	0	0	0	0	0	0	0	0	0	0	0	0	0
01h	0	1	0	0	0	0	0	0	0	0	0	0	0	0	0	0
02h	0	1	0	0	0	0	0	0	0	0	0	0	0	0	0	1
03h	0	1	1	0	0	0	0	0	0	0	0	0	0	0	0	1
04h	0	1	1	0	0	0	0	0	0	0	0	0	0	0	1	1
05h	0	1	1	1	0	0	0	0	0	0	0	0	0	0	1	1
06h	0	1	1	1	0	0	0	0	0	0	0	0	0	1	1	1
07h	0	1	1	1	1	0	0	0	0	0	0	0	0	1	1	1
08h	0	1	1	1	1	0	0	0	0	0	0	1	1	1	1	1
09h	0	1	1	1	1	1	0	0	0	0	0	1	1	1	1	1
0Ah	0	1	1	1	1	1	0	0	0	0	1	1	1	1	1	1
0Bh	0	1	1	1	1	1	1	0	0	0	1	1	1	1	1	1
0Ch	0	1	1	1	1	1	1	0	0	1	1	1	1	1	1	1
0Dh	0	1	1	1	1	1	1	1	0	0	1	1	1	1	1	1
0Eh	0	1	1	1	1	1	1	1	0	1	1	1	1	1	1	1
0Fh	0	1	1	1	1	1	1	1	1	1	1	1	1	1	1	1

18.3.10 Setting a Baud Rate

For a given BRCLK clock source, the baud rate used determines the required division factor N:

$$N = f_{BRCLK} / \text{baud rate}$$

The division factor N is often a noninteger value, thus, at least one divider and one modulator stage is used to meet the factor as closely as possible.

If N is equal or greater than 16, TI recommends using the oversampling baud-rate generation mode by setting UCOS16.

NOTE: Baud-rate settings quick set up

To calculate the correct the correct settings for the baud-rate generation, perform these steps:

1. Calculate $N = f_{BRCLK} / \text{baud rate}$ [if $N > 16$ continue with step 3, otherwise with step 2]
 2. $OS16 = 0$, $UCBRx = \text{INT}(N)$ [continue with step 4]
 3. $OS16 = 1$, $UCBRx = \text{INT}(N/16)$, $UCBRFx = \text{INT}([(N/16) - \text{INT}(N/16)] \times 16)$
 4. UCBRSx can be found by looking up the fractional part of $N (= N - \text{INT}(N))$ in table [Table 18-4](#)
 5. If $OS16 = 0$ was chosen, TI recommends performing a detailed error calculation.
-

[Table 18-4](#) can be used as a lookup table for finding the correct UCBRSx modulation pattern for the corresponding fractional part of N. The values there are optimized for transmitting.

Table 18-4. UCBRSx Settings for Fractional Portion of $N = f_{BRCLK} / \text{Baud Rate}$

Fractional Portion of N	UCBRs ⁽¹⁾	Fractional Portion of N	UCBRs ⁽¹⁾
0.0000	0x00	0.5002	0xAA
0.0529	0x01	0.5715	0x6B
0.0715	0x02	0.6003	0xAD
0.0835	0x04	0.6254	0xB5
0.1001	0x08	0.6432	0xB6
0.1252	0x10	0.6667	0xD6
0.1430	0x20	0.7001	0xB7
0.1670	0x11	0.7147	0xBB
0.2147	0x21	0.7503	0xDD
0.2224	0x22	0.7861	0xED
0.2503	0x44	0.8004	0xEE
0.3000	0x25	0.8333	0xBF
0.3335	0x49	0.8464	0xDF
0.3575	0x4A	0.8572	0xEF
0.3753	0x52	0.8751	0xF7
0.4003	0x92	0.9004	0xFB
0.4286	0x53	0.9170	0xFD
0.4378	0x55	0.9288	0xFE

⁽¹⁾ The UCBRSx setting in one row is valid from the fractional portion given in that row until the one in the next row

18.3.10.1 Low-Frequency Baud-Rate Mode Setting

In low-frequency mode, the integer portion of the divisor is realized by the prescaler:

$$UCBRx = \text{INT}(N)$$

The fractional portion is realized by the modulator with its UCBRSx setting. The recommended way of determining the correct UCBRSx is performing a detailed error calculation as explained in the following sections. However it is also possible to look up the correct settings in table with typical crystals (see [Table 18-5](#)).

18.3.10.2 Oversampling Baud-Rate Mode Setting

In the oversampling mode, the prescaler is set to:

$$\text{UCBRx} = \text{INT}(N/16)$$

and the first stage modulator is set to:

$$\text{UCBRFx} = \text{INT}([(N/16) - \text{INT}(N/16)] \times 16)$$

The second modulation stage setting (UCBRSx) can be found by performing a detailed error calculation or by using [Table 18-4](#) and the fractional part of $N = f_{\text{BRCLK}}/\text{baud rate}$.

18.3.11 Transmit Bit Timing - Error calculation

The timing for each character is the sum of the individual bit timings. Using the modulation features of the baud-rate generator reduces the cumulative bit error. The individual bit error can be calculated using the following steps.

18.3.11.1 Low-Frequency Baud-Rate Mode Bit Timing

In low-frequency mode, calculation of the length of bit i $T_{\text{bit,TX}}[i]$ is based on the UCBRx and UCBRSx settings:

$$T_{\text{bit,TX}}[i] = (1/f_{\text{BRCLK}})(\text{UCBRx} + m_{\text{UCBRSx}}[i])$$

Where:

$$m_{\text{UCBRSx}}[i] = \text{Modulation of bit } i \text{ of UCBRSx}$$

18.3.11.2 Oversampling Baud-Rate Mode Bit Timing

In oversampling baud-rate mode, calculation of the length of bit i $T_{\text{bit,TX}}[i]$ is based on the baud-rate generator UCBRx, UCBRFx and UCBRSx settings:

$$t_{\text{bit,TX}}[i] = \frac{1}{f_{\text{BRCLK}}} \left((16 \times \text{UCBRx}) + \sum_{j=0}^{15} m_{\text{UCBRFx}}[j] + m_{\text{UCBRSx}}[i] \right)$$

Where:

$$\sum_{j=0}^{15} m_{\text{UCBRFx}}[j] = \text{Sum of ones from the corresponding row in } \a href="#">\text{Table 18-3}$$

$$m_{\text{UCBRSx}}[i] = \text{Modulation of bit } i \text{ of UCBRSx}$$

This results in an end-of-bit time $t_{\text{bit,TX}}[i]$ equal to the sum of all previous and the current bit times:

$$t_{\text{bit,TX}}[i] = \sum_{j=0}^i t_{\text{bit,TX}}[j]$$

To calculate bit error, this time is compared to the ideal bit time $t_{\text{bit,ideal,TX}}[i]$:

$$t_{\text{bit,ideal,TX}}[i] = (1/\text{baud rate})(i + 1)$$

This results in an error normalized to one ideal bit time (1/baud rate):

$$\text{Error}_{\text{TX}}[i] = (t_{\text{bit,TX}}[i] - t_{\text{bit,ideal,TX}}[i]) \times \text{baud rate} \times 100\%$$

18.3.12 Receive Bit Timing – Error Calculation

Receive timing error consists of two error sources. The first is the bit-to-bit timing error similar to the transmit bit timing error. The second is the error between a start edge occurring and the start edge being accepted by the eUSCI_A module. [Figure 18-11](#) shows the asynchronous timing errors between data on the UCxRXD pin and the internal baud-rate clock. This results in an additional synchronization error. The synchronization error t_{SYNC} is between -0.5 BRCLKs and $+0.5$ RCLKs, independent of the selected baud-rate generation mode.

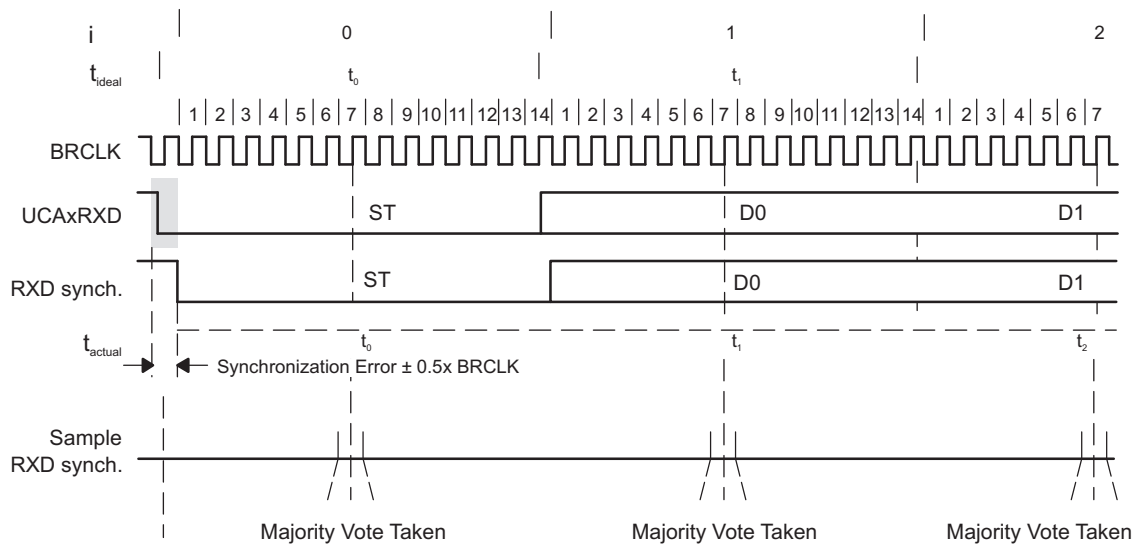


Figure 18-11. Receive Error

The ideal sampling time $t_{bit,ideal,RX}[i]$ is in the middle of a bit period:

$$t_{bit,ideal,RX}[i] = (1/\text{baud rate})(i + 0.5)$$

The real sampling time, $t_{bit,RX}[i]$, is equal to the sum of all previous bits according to the formulas shown in the transmit timing section, plus one-half BITCLK for the current bit i , plus the synchronization error t_{SYNC} .

This results in the following $t_{bit,RX}[i]$ for the low-frequency baud-rate mode:

$$t_{bit,RX}[i] = t_{SYNC} + \sum_{j=0}^{i-1} T_{bit,RX}[j] + \frac{1}{f_{BRCLK}} \left(\text{INT}(\frac{1}{2} \text{UCBRx}) + m_{UCBRSx}[i] \right)$$

Where:

$$T_{bit,RX}[i] = (1/f_{BRCLK})(\text{UCBRx} + m_{UCBRSx}[i])$$

$$m_{UCBRSx}[i] = \text{Modulation of bit } i \text{ of UCBRSx}$$

For the oversampling baud-rate mode, the sampling time $t_{bit,RX}[i]$ of bit i is calculated by:

$$t_{bit,RX}[i] = t_{SYNC} + \sum_{j=0}^{i-1} T_{bit,RX}[j] + \frac{1}{f_{BRCLK}} \left((8 * \text{UCBRx}) + \sum_{j=0}^7 m_{UCBRFx}[j] + m_{UCBRSx}[i] \right)$$

Where:

$$t_{bit,RX}[i] = \frac{1}{f_{BRCLK}} \left((16 * \text{UCBRx}) + \sum_{j=0}^{15} m_{UCBRFx}[j] + m_{UCBRSx}[i] \right)$$

$$\sum_{j=0}^{7+m_{UCBRSx}[i]} m_{UCBRFx}[j]$$

= Sum of ones from columns 0 to $(7 + m_{UCBRSx}[i])$ from the corresponding row in

Table 18-3.

$$m_{UCBRSx}[i] = \text{Modulation of bit } i \text{ of UCBRSx}$$

This results in an error normalized to one ideal bit time $(1/\text{baud rate})$ according to the following formula:

$$\text{Error}_{RX}[i] = (t_{bit,RX}[i] - t_{bit,ideal,RX}[i]) \times \text{baud rate} \times 100\%$$

18.3.13 Typical Baud Rates and Errors

Standard baud-rate data for UCBRx, UCBRSx, and UCBRFx are listed in Table 18-5 for a 32768-Hz crystal sourcing ACLK and typical SMCLK frequencies. Make sure that the selected BRCLK frequency does not exceed the device specific maximum eUSCI_A input frequency (see the device-specific data sheet).

The receive error is the accumulated time versus the ideal scanning time in the middle of each bit. The worst-case error is given for the reception of an 8-bit character with parity and one stop bit including synchronization error.

The transmit error is the accumulated timing error versus the ideal time of the bit period. The worst-case error is given for the transmission of an 8-bit character with parity and stop bit.

Table 18-5. Recommended Settings for Typical Crystals and Baud Rates⁽¹⁾

BRCLK	Baud Rate	UCOS16	UCBRx	UCBRFx	UCBRSx ⁽²⁾	TX Error ⁽²⁾ (%)		RX Error ⁽²⁾ (%)	
						neg	pos	neg	pos
32768	1200	1	1	11	0x25	-2.29	2.25	-2.56	5.35
32768	2400	0	13	-	0xB6	-3.12	3.91	-5.52	8.84
32768	4800	0	6	-	0xEE	-7.62	8.98	-21	10.25
32768	9600	0	3	-	0x92	-17.19	16.02	-23.24	37.3
1000000	9600	1	6	8	0x20	-0.48	0.64	-1.04	1.04
1000000	19200	1	3	4	0x2	-0.8	0.96	-1.84	1.84
1000000	38400	1	1	10	0x0	0	1.76	0	3.44
1000000	57600	0	17	-	0x4A	-2.72	2.56	-3.76	7.28
1000000	115200	0	8	-	0xD6	-7.36	5.6	-17.04	6.96
1048576	9600	1	6	13	0x22	-0.46	0.42	-0.48	1.23
1048576	19200	1	3	6	0xAD	-0.88	0.83	-2.36	1.18
1048576	38400	1	1	11	0x25	-2.29	2.25	-2.56	5.35
1048576	57600	0	18	-	0x11	-2	3.37	-5.31	5.55
1048576	115200	0	9	-	0x08	-5.37	4.49	-5.93	14.92
4000000	9600	1	26	0	0xB6	-0.08	0.16	-0.28	0.2
4000000	19200	1	13	0	0x84	-0.32	0.32	-0.64	0.48
4000000	38400	1	6	8	0x20	-0.48	0.64	-1.04	1.04
4000000	57600	1	4	5	0x55	-0.8	0.64	-1.12	1.76
4000000	115200	1	2	2	0xBB	-1.44	1.28	-3.92	1.68
4000000	230400	0	17	-	0x4A	-2.72	2.56	-3.76	7.28
4194304	9600	1	27	4	0xFB	-0.11	0.1	-0.33	0
4194304	19200	1	13	10	0x55	-0.21	0.21	-0.55	0.33
4194304	38400	1	6	13	0x22	-0.46	0.42	-0.48	1.23
4194304	57600	1	4	8	0xEE	-0.75	0.74	-2	0.87
4194304	115200	1	2	4	0x92	-1.62	1.37	-3.56	2.06
4194304	230400	0	18	-	0x11	-2	3.37	-5.31	5.55
8000000	9600	1	52	1	0x49	-0.08	0.04	-0.1	0.14
8000000	19200	1	26	0	0xB6	-0.08	0.16	-0.28	0.2
8000000	38400	1	13	0	0x84	-0.32	0.32	-0.64	0.48
8000000	57600	1	8	10	0xF7	-0.32	0.32	-1	0.36
8000000	115200	1	4	5	0x55	-0.8	0.64	-1.12	1.76
8000000	230400	1	2	2	0xBB	-1.44	1.28	-3.92	1.68
8000000	460800	0	17	-	0x4A	-2.72	2.56	-3.76	7.28
8388608	9600	1	54	9	0xEE	-0.06	0.06	-0.11	0.13
8388608	19200	1	27	4	0xFB	-0.11	0.1	-0.33	0
8388608	38400	1	13	10	0x55	-0.21	0.21	-0.55	0.33
8388608	57600	1	9	1	0xB5	-0.31	0.31	-0.53	0.78
8388608	115200	1	4	8	0xEE	-0.75	0.74	-2	0.87

⁽¹⁾ The listed UCBRSx settings are determined by a search algorithm for the lowest error. Other settings for UCBRSx might result in similar or same errors.

⁽²⁾ Assumes a stable clock source for BRCLK with negligible jitter (for example, from a crystal oscillator). Any frequency variation or jitter of the clock source will make the errors worse.

Table 18-5. Recommended Settings for Typical Crystals and Baud Rates⁽¹⁾ (continued)

BRCLK	Baud Rate	UCOS16	UCBRx	UCBRFx	UCBR5x ⁽²⁾	TX Error ⁽²⁾ (%)		RX Error ⁽²⁾ (%)	
						neg	pos	neg	pos
8388608	230400	1	2	4	0x92	-1.62	1.37	-3.56	2.06
8388608	460800	0	18	-	0x11	-2	3.37	-5.31	5.55
12000000	9600	1	78	2	0x0	0	0	0	0.04
12000000	19200	1	39	1	0x0	0	0	0	0.16
12000000	38400	1	19	8	0x65	-0.16	0.16	-0.4	0.24
12000000	57600	1	13	0	0x25	-0.16	0.32	-0.48	0.48
12000000	115200	1	6	8	0x20	-0.48	0.64	-1.04	1.04
12000000	230400	1	3	4	0x2	-0.8	0.96	-1.84	1.84
12000000	460800	1	1	10	0x0	0	1.76	0	3.44
16000000	9600	1	104	2	0xD6	-0.04	0.02	-0.09	0.03
16000000	19200	1	52	1	0x49	-0.08	0.04	-0.1	0.14
16000000	38400	1	26	0	0xB6	-0.08	0.16	-0.28	0.2
16000000	57600	1	17	5	0xDD	-0.16	0.2	-0.3	0.38
16000000	115200	1	8	10	0xF7	-0.32	0.32	-1	0.36
16000000	230400	1	4	5	0x55	-0.8	0.64	-1.12	1.76
16000000	460800	1	2	2	0xBB	-1.44	1.28	-3.92	1.68
16777216	9600	1	109	3	0xB5	-0.03	0.02	-0.05	0.06
16777216	19200	1	54	9	0xEE	-0.06	0.06	-0.11	0.13
16777216	38400	1	27	4	0xFB	-0.11	0.1	-0.33	0
16777216	57600	1	18	3	0x44	-0.16	0.15	-0.2	0.45
16777216	115200	1	9	1	0xB5	-0.31	0.31	-0.53	0.78
16777216	230400	1	4	8	0xEE	-0.75	0.74	-2	0.87
16777216	460800	1	2	4	0x92	-1.62	1.37	-3.56	2.06
20000000	9600	1	130	3	0x25	-0.02	0.03	0	0.07
20000000	19200	1	65	1	0xD6	-0.06	0.03	-0.1	0.1
20000000	38400	1	32	8	0xEE	-0.1	0.13	-0.27	0.14
20000000	57600	1	21	11	0x22	-0.16	0.13	-0.16	0.38
20000000	115200	1	10	13	0xAD	-0.29	0.26	-0.46	0.66
20000000	230400	1	5	6	0xEE	-0.67	0.51	-1.71	0.62
20000000	460800	1	2	11	0x92	-1.38	0.99	-1.84	2.8

18.3.14 Using the eUSCI_A Module in UART Mode With Low-Power Modes

The eUSCI_A module provides automatic clock activation for use with low-power modes. When the eUSCI_A clock source is inactive because the device is in a low-power mode, the eUSCI_A module automatically activates it when needed, regardless of the control-bit settings for the clock source. The clock remains active until the eUSCI_A module returns to its idle condition. After the eUSCI_A module returns to the idle condition, control of the clock source reverts to the settings of its control bits.

NOTE: Clock Activation Time

If the clock source is not already active when the eUSCI_A module requests it then the clock must be activated. This takes time. This clock activation time depending on the selected clock source and the selected low power mode. If the DCO is used as clock source the activation time is approximately the wake-up time as specified in the device-specific data sheet.

18.3.15 eUSCI_A Interrupts in UART Mode

The eUSCI_A has only one interrupt vector that is shared for transmission and for reception.

18.3.15.1 UART Transmit Interrupt Operation

The UCTXIFG interrupt flag is set by the transmitter to indicate that UCAXTXBUF is ready to accept another character. An interrupt request is generated if UCTXIE and GIE are also set. UCTXIFG is automatically reset if a character is written to UCAXTXBUF.

UCTXIFG is set after a PUC or when UCSWRST = 1. UCTXIE is reset after a PUC or when UCSWRST = 1.

18.3.15.2 UART Receive Interrupt Operation

The UCRXIFG interrupt flag is set each time a character is received and loaded into UCAXRXBUF. An interrupt request is generated if UCRXIE and GIE are also set. UCRXIFG and UCRXIE are reset by a system reset PUC signal or when UCSWRST = 1. UCRXIFG is automatically reset when UCAXRXBUF is read.

Additional interrupt control features include:

- When UCAXRXEIE = 0, erroneous characters do not set UCRXIFG.
- When UCDORM = 1, nonaddress characters do not set UCRXIFG in multiprocessor modes. In plain UART mode, no characters are set UCRXIFG.
- When UCBRKIE = 1, a break condition sets the UCBRK bit and the UCRXIFG flag.

18.3.15.3 UART State Change Interrupt Operation

Table 18-6 describes the UART state change interrupt flags.

Table 18-6. UART State Change Interrupt Flags

Interrupt Flag	Interrupt Condition
UCSTTIFG	START byte received interrupt. This flag is set when the UART module receives a START byte. This flag can be cleared by writing 0 to it.
UCTXCPTIFG	Transmit complete interrupt. This flag is set after the complete UART byte in the internal shift register including STOP bit is shifted out. This flag can be cleared by writing 0 to it.

18.3.15.4 UCAXIV, Interrupt Vector Generator

The eUSCI_A interrupt flags are prioritized and combined to source a single interrupt vector. The interrupt vector register UCAXIV is used to determine which flag requested an interrupt. The highest-priority enabled interrupt generates a number in the UCAXIV register that can be evaluated or added to the program counter to automatically enter the appropriate software routine. Disabled interrupts do not affect the UCAXIV value.

Read access of the UCAXIV register automatically resets the highest-pending Interrupt condition and flag. Write access of the UCAXIV register clears all pending Interrupt conditions and flags. If another interrupt flag is set, another interrupt is generated immediately after servicing the initial interrupt.

Example 18-1 shows the recommended use of UCAXIV. The UCAXIV value is added to the PC to automatically jump to the appropriate routine. The following example is given for eUSCI_A0.

Example 18-1. UCAXIV Software Example

```
#pragma vector = USCI_A0_VECTOR __interrupt void USCI_A0_ISR(void) {
    switch(__even_in_range(UCA0IV,18)) {
        case 0x00:    // Vector 0: No interrupts
            break;
        case 0x02: ... // Vector 2: UCRXIFG
            break;
        case 0x04: ... // Vector 4: UCTXIFG
            break;
        case 0x06: ... // Vector 6: UCSTTIFG
            break;
        case 0x08: ... // Vector 8: UCTXCPITIFG
            break;
        default: break;
    }
}
```

18.3.16 DMA Operation

In devices with a DMA controller, the eUSCI module can trigger DMA transfers when the transmit buffer UCAXTXBUF is empty or when data was received in the UCAXRXBUF buffer. The DMA trigger signals correspond to the UCTXIFG transmit interrupt flag and the UCRXIFG receive interrupt flag, respectively. The interrupt functionality must be disabled for the selected DMA triggers with UCTXIE = 0 and UCRXIE = 0.

A DMA read access to UCAXRXBUF has the same effects as a CPU (software) read: all error flags (UCRXERR, UCFE, UCPE, UCOE, and UCBRK) are cleared after the read. Thus these errors might go unnoticed.

18.4 eUSCI_A UART Registers

The eUSCI_A registers applicable in UART mode and their address offsets are listed in [Table 18-7](#). The base address can be found in the device-specific data sheet.

Table 18-7. eUSCI_A UART Registers

Offset	Acronym	Register Name	Type	Access	Reset	Section
00h	UCAxCTLW0	eUSCI_Ax Control Word 0	Read/write	Word	0001h	Section 18.4.1
01h	UCAxCTL0 ⁽¹⁾	eUSCI_Ax Control 0	Read/write	Byte	00h	
00h	UCAxCTL1	eUSCI_Ax Control 1	Read/write	Byte	01h	
02h	UCAxCTLW1	eUSCI_Ax Control Word 1	Read/write	Word	0003h	Section 18.4.2
06h	UCAxBRW	eUSCI_Ax Baud Rate Control Word	Read/write	Word	0000h	Section 18.4.3
06h	UCAxBR0 ⁽¹⁾	eUSCI_Ax Baud Rate Control 0	Read/write	Byte	00h	
07h	UCAxBR1	eUSCI_Ax Baud Rate Control 1	Read/write	Byte	00h	
08h	UCAxMCTLW	eUSCI_Ax Modulation Control Word	Read/write	Word	00h	Section 18.4.4
0Ah	UCAxSTATW	eUSCI_Ax Status	Read/write	Word	00h	Section 18.4.5
0Ch	UCAxRXBUF	eUSCI_Ax Receive Buffer	Read/write	Word	00h	Section 18.4.6
0Eh	UCAxTXBUF	eUSCI_Ax Transmit Buffer	Read/write	Word	00h	Section 18.4.7
10h	UCAxABCTL	eUSCI_Ax Auto Baud Rate Control	Read/write	Word	00h	Section 18.4.8
12h	UCAxIRCTL	eUSCI_Ax IrDA Control	Read/write	Word	0000h	Section 18.4.9
12h	UCAxIRTCTL	eUSCI_Ax IrDA Transmit Control	Read/write	Byte	00h	
13h	UCAxIRRCTL	eUSCI_Ax IrDA Receive Control	Read/write	Byte	00h	
1Ah	UCAxIE	eUSCI_Ax Interrupt Enable	Read/write	Word	00h	Section 18.4.10
1Ch	UCAxIFG	eUSCI_Ax Interrupt Flag	Read/write	Word	02h	Section 18.4.11
1Eh	UCAxIV	eUSCI_Ax Interrupt Vector	Read	Word	0000h	Section 18.4.12

⁽¹⁾ It is recommended to access these registers using 16-bit access. If 8-bit access is used, the corresponding bit names must be followed by "_H".

18.4.1 UCAXCTLW0 Register

eUSCI_Ax Control Word Register 0

Figure 18-12. UCAXCTLW0 Register

15	14	13	12	11	10	9	8
UCPEN	UCPAR	UCMSB	UC7BIT	UCSPB	UCMODEx		UCSYNC
rw-0	rw-0	rw-0	rw-0	rw-0	rw-0	rw-0	rw-0
7	6	5	4	3	2	1	0
UCSSELx		UCRXEIE	UCBRKIE	UCDORM	UCTXADDR	UCTXBRK	UCSWRST
rw-0	rw-0	rw-0	rw-0	rw-0	rw-0	rw-0	rw-1

Can be modified only when UCSWRST = 1.

Table 18-8. UCAXCTLW0 Register Description

Bit	Field	Type	Reset	Description
15	UCPEN	RW	0h	Parity enable 0b = Parity disabled 1b = Parity enabled. Parity bit is generated (UCAxTXD) and expected (UCAxRXD). In address-bit multiprocessor mode, the address bit is included in the parity calculation.
14	UCPAR	RW	0h	Parity select. UCPAR is not used when parity is disabled. 0b = Odd parity 1b = Even parity
13	UCMSB	RW	0h	MSB first select. Controls the direction of the receive and transmit shift register. 0b = LSB first 1b = MSB first
12	UC7BIT	RW	0h	Character length. Selects 7-bit or 8-bit character length. 0b = 8-bit data 1b = 7-bit data
11	UCSPB	RW	0h	Stop bit select. Number of stop bits. 0b = One stop bit 1b = Two stop bits
10-9	UCMODEx	RW	0h	eUSCI_A mode. The UCMODEx bits select the asynchronous mode when UCSYNC = 0. 00b = UART mode 01b = Idle-line multiprocessor mode 10b = Address-bit multiprocessor mode 11b = UART mode with automatic baud-rate detection
8	UCSYNC	RW	0h	Synchronous mode enable 0b = Asynchronous mode 1b = Synchronous mode
7-6	UCSSELx	RW	0h	eUSCI_A clock source select. These bits select the BRCLK source clock. 00b = UCLK 01b = ACLK 10b = SMCLK 11b = SMCLK
5	UCRXEIE	RW	0h	Receive erroneous-character interrupt enable 0b = Erroneous characters rejected and UCRXIFG is not set. 1b = Erroneous characters received set UCRXIFG.
4	UCBRKIE	RW	0h	Receive break character interrupt enable 0b = Received break characters do not set UCRXIFG. 1b = Received break characters set UCRXIFG.

Table 18-8. UCxCTLW0 Register Description (continued)

Bit	Field	Type	Reset	Description
3	UCDORM	RW	0h	Dormant. Puts eUSCI_A into sleep mode. 0b = Not dormant. All received characters set UCRXIFG. 1b = Dormant. Only characters that are preceded by an idle-line or with address bit set UCRXIFG. In UART mode with automatic baud-rate detection, only the combination of a break and synch field sets UCRXIFG.
2	UCTXADDR	RW	0h	Transmit address. Next frame to be transmitted is marked as address, depending on the selected multiprocessor mode. 0b = Next frame transmitted is data. 1b = Next frame transmitted is an address.
1	UCTXBRK	RW	0h	Transmit break. Transmits a break with the next write to the transmit buffer. In UART mode with automatic baud-rate detection, 055h must be written into UCxTXBUF to generate the required break/synch fields. Otherwise, 0h must be written into the transmit buffer. 0b = Next frame transmitted is not a break. 1b = Next frame transmitted is a break or a break/synch.
0	UCSWRST	RW	1h	Software reset enable 0b = Disabled. eUSCI_A reset released for operation. 1b = Enabled. eUSCI_A logic held in reset state.

18.4.2 UCxCTLW1 Register

eUSCI_Ax Control Word Register 1

Figure 18-13. UCxCTLW1 Register

15	14	13	12	11	10	9	8
Reserved							
r-0	r-0	r-0	r-0	r-0	r-0	r-0	r-0
7	6	5	4	3	2	1	0
Reserved						UCGLITx	
r-0	r-0	r-0	r-0	r-0	r-0	rw-1	rw-1

Table 18-9. UCxCTLW1 Register Description

Bit	Field	Type	Reset	Description
15-2	Reserved	R	0h	Reserved
1-0	UCGLITx	RW	3h	Deglintch time 00b = Approximately 2 ns 01b = Approximately 50 ns 10b = Approximately 100 ns 11b = Approximately 200 ns

18.4.3 UCAXBRW Register

eUSCI_Ax Baud Rate Control Word Register

Figure 18-14. UCAXBRW Register

15	14	13	12	11	10	9	8
UCBRx							
rw	rw	rw	rw	rw	rw	rw	rw
7	6	5	4	3	2	1	0
UCBRx							
rw	rw	rw	rw	rw	rw	rw	rw

Can be modified only when UCSWRST = 1.

Table 18-10. UCAXBRW Register Description

Bit	Field	Type	Reset	Description
15-0	UCBRx	RW	0h	Clock prescaler setting of the Baud rate generator

18.4.4 UCAXMCTLW Register

eUSCI_Ax Modulation Control Word Register

Figure 18-15. UCAXMCTLW Register

15	14	13	12	11	10	9	8
UCBRSx							
rw-0	rw-0	rw-0	rw-0	rw-0	rw-0	rw-0	rw-0
7	6	5	4	3	2	1	0
UCBRFx				Reserved			UCOS16
rw-0	rw-0	rw-0	rw-0	r0	r0	r0	rw-0

Can be modified only when UCSWRST = 1.

Table 18-11. UCAXMCTLW Register Description

Bit	Field	Type	Reset	Description
15-8	UCBRSx	RW	0h	Second modulation stage select. These bits hold a free modulation pattern for BITCLK.
7-4	UCBRFx	RW	0h	First modulation stage select. These bits determine the modulation pattern for BITCLK16 when UCOS16 = 1. Ignored with UCOS16 = 0. The "Oversampling Baud-Rate Generation" section shows the modulation pattern.
3-1	Reserved	R	0h	Reserved
0	UCOS16	RW	0h	Oversampling mode enabled 0b = Disabled 1b = Enabled

18.4.5 UCxSTATW Register

eUSCI_Ax Status Register

Figure 18-16. UCxSTATW Register

15	14	13	12	11	10	9	8
Reserved							
r0	r0	r0	r0	r0	r0	r0	r0
7	6	5	4	3	2	1	0
UCLISTEN	UCFE	UCOE	UCPE	UCBRK	UCRXERR	UCADDR UCIDLE	UCBUSY
rw-0	rw-0	rw-0	rw-0	rw-0	rw-0	rw-0	r-0

Can be modified only when UCSWRST = 1.

Table 18-12. UCxSTATW Register Description

Bit	Field	Type	Reset	Description
15-8	Reserved	R	0h	Reserved
7	UCLISTEN	RW	0h	Listen enable. The UCLISTEN bit selects loopback mode. 0b = Disabled 1b = Enabled. UCxTXD is internally fed back to the receiver.
6	UCFE	RW	0h	Framing error flag. UCFE is cleared when UCxRXBUF is read. 0b = No error 1b = Character received with low stop bit
5	UCOE	RW	0h	Overrun error flag. This bit is set when a character is transferred into UCxRXBUF before the previous character was read. UCOE is cleared automatically when UCxRXBUF is read, and must not be cleared by software. Otherwise, it does not function correctly. 0b = No error 1b = Overrun error occurred.
4	UCPE	RW	0h	Parity error flag. When UCPE = 0, UCPE is read as 0. UCPE is cleared when UCxRXBUF is read. 0b = No error 1b = Character received with parity error
3	UCBRK	RW	0h	Break detect flag. UCBRK is cleared when UCxRXBUF is read. 0b = No break condition 1b = Break condition occurred.
2	UCRXERR	RW	0h	Receive error flag. This bit indicates a character was received with one or more errors. When UCRXERR = 1, on or more error flags, UCFE, UCPE, or UCOE is also set. UCRXERR is cleared when UCxRXBUF is read. 0b = No receive errors detected 1b = Receive error detected
1	UCADDR UCIDLE	RW	0h	UCADDR: Address received in address-bit multiprocessor mode. UCADDR is cleared when UCxRXBUF is read. UCIDLE: Idle line detected in idle-line multiprocessor mode. UCIDLE is cleared when UCxRXBUF is read. 0b = UCADDR: Received character is data. UCIDLE: No idle line detected 1b = UCADDR: Received character is an address. UCIDLE: Idle line detected
0	UCBUSY	R	0h	eUSCI_A busy. This bit indicates if a transmit or receive operation is in progress. 0b = eUSCI_A inactive 1b = eUSCI_A transmitting or receiving

18.4.6 UCAXRXBUF Register

eUSCI_Ax Receive Buffer Register

Figure 18-17. UCAXRXBUF Register

15	14	13	12	11	10	9	8
Reserved							
r-0	r-0	r-0	r-0	r-0	r-0	r-0	r-0
7	6	5	4	3	2	1	0
UCRXBUFx							
r	r	r	r	r	r	r	r

Table 18-13. UCAXRXBUF Register Description

Bit	Field	Type	Reset	Description
15-8	Reserved	R	0h	Reserved
7-0	UCRXBUFx	R	0h	The receive-data buffer is user accessible and contains the last received character from the receive shift register. Reading UCAXRXBUF resets the receive-error bits, the UCADDR or UCIDLE bit, and UCRXIFG. In 7-bit data mode, UCAXRXBUF is LSB justified and the MSB is always reset.

18.4.7 UCAXTXBUF Register

eUSCI_Ax Transmit Buffer Register

Figure 18-18. UCAXTXBUF Register

15	14	13	12	11	10	9	8
Reserved							
r-0	r-0	r-0	r-0	r-0	r-0	r-0	r-0
7	6	5	4	3	2	1	0
UCTXBUFx							
rw	rw	rw	rw	rw	rw	rw	rw

Table 18-14. UCAXTXBUF Register Description

Bit	Field	Type	Reset	Description
15-8	Reserved	R	0h	Reserved
7-0	UCTXBUFx	RW	0h	The transmit data buffer is user accessible and holds the data waiting to be moved into the transmit shift register and transmitted on UCAXTXD. Writing to the transmit data buffer clears UCTXIFG. The MSB of UCAXTXBUF is not used for 7-bit data and is reset.

18.4.8 UCxABCTL Register

eUSCI_Ax Auto Baud Rate Control Register

Figure 18-19. UCxABCTL Register

15	14	13	12	11	10	9	8
Reserved							
r-0	r-0	r-0	r-0	r-0	r-0	r-0	r-0
7	6	5	4	3	2	1	0
Reserved		UCDELIMx		UCSTOE	UCBTOE	Reserved	UCABDEN
r-0	r-0	rw-0	rw-0	rw-0	rw-0	r-0	rw-0

Can be modified only when UCSWRST = 1.

Table 18-15. UCxABCTL Register Description

Bit	Field	Type	Reset	Description
15-6	Reserved	R	0h	Reserved
5-4	UCDELIMx	RW	0h	Break/synch delimiter length 00b = 1 bit time 01b = 2 bit times 10b = 3 bit times 11b = 4 bit times
3	UCSTOE	RW	0h	Synch field time out error 0b = No error 1b = Length of synch field exceeded measurable time.
2	UCBTOE	RW	0h	Break time out error 0b = No error 1b = Length of break field exceeded 22 bit times.
1	Reserved	R	0h	Reserved
0	UCABDEN	RW	0h	Automatic baud-rate detect enable 0b = Baud-rate detection disabled. Length of break and synch field is not measured. 1b = Baud-rate detection enabled. Length of break and synch field is measured and baud-rate settings are changed accordingly.

18.4.9 UCAXIRCTL Register

eUSCI_Ax IrDA Control Word Register

Figure 18-20. UCAXIRCTL Register

15	14	13	12	11	10	9	8
UCIRRXFLx						UCIRRXPL	UCIRRXFE
rw-0	rw-0	rw-0	rw-0	rw-0	rw-0	rw-0	rw-0
7	6	5	4	3	2	1	0
UCIRTXPLx						UCIRTXCLK	UCIREN
rw-0	rw-0	rw-0	rw-0	rw-0	rw-0	rw-0	rw-0

Can be modified only when UCSWRST = 1.

Table 18-16. UCAXIRCTL Register Description

Bit	Field	Type	Reset	Description
15-10	UCIRRXFLx	RW	0h	Receive filter length. The minimum pulse length for receive is given by: $t_{MIN} = (UCIRRXFLx + 4) / [2 \times f_{IRTXCLK}]$
9	UCIRRXPL	RW	0h	IrDA receive input UCAXRXD polarity 0b = IrDA transceiver delivers a high pulse when a light pulse is seen. 1b = IrDA transceiver delivers a low pulse when a light pulse is seen.
8	UCIRRXFE	RW	0h	IrDA receive filter enabled 0b = Receive filter disabled 1b = Receive filter enabled
7-2	UCIRTXPLx	RW	0h	Transmit pulse length. Pulse length $t_{PULSE} = (UCIRTXPLx + 1) / [2 \times f_{IRTXCLK}]$
1	UCIRTXCLK	RW	0h	IrDA transmit pulse clock select 0b = BRCLK 1b = BITCLK16 when UCOS16 = 1. Otherwise, BRCLK.
0	UCIREN	RW	0h	IrDA encoder/decoder enable 0b = IrDA encoder/decoder disabled 1b = IrDA encoder/decoder enabled

18.4.10 UCAXIE Register

eUSCI_Ax Interrupt Enable Register

Figure 18-21. UCAXIE Register

15	14	13	12	11	10	9	8
Reserved							
r-0	r-0	r-0	r-0	r-0	r-0	r-0	r-0
7	6	5	4	3	2	1	0
Reserved				UCTXCPTIE	UCSTTIE	UCTXIE	UCRXIE
r-0	r-0	r-0	r-0	rw-0	rw-0	rw-0	rw-0

Table 18-17. UCAXIE Register Description

Bit	Field	Type	Reset	Description
15-4	Reserved	R	0h	Reserved
3	UCTXCPTIE	RW	0h	Transmit complete interrupt enable 0b = Interrupt disabled 1b = Interrupt enabled
2	UCSTTIE	RW	0h	Start bit interrupt enable 0b = Interrupt disabled 1b = Interrupt enabled
1	UCTXIE	RW	0h	Transmit interrupt enable 0b = Interrupt disabled 1b = Interrupt enabled
0	UCRXIE	RW	0h	Receive interrupt enable 0b = Interrupt disabled 1b = Interrupt enabled

18.4.11 UCxIFG Register

eUSCI_Ax Interrupt Flag Register

Figure 18-22. UCxIFG Register

15	14	13	12	11	10	9	8
Reserved							
r-0	r-0	r-0	r-0	r-0	r-0	r-0	r-0
7	6	5	4	3	2	1	0
Reserved				UCTXCPTIFG	UCSTTIFG	UCTXIFG	UCRXIFG
r-0	r-0	r-0	r-0	rw-0	rw-0	rw-1	rw-0

Table 18-18. UCxIFG Register Description

Bit	Field	Type	Reset	Description
15-4	Reserved	R	0h	Reserved
3	UCTXCPTIFG	RW	0h	Transmit complete interrupt flag. UCTXCPTIFG is set when the entire byte in the internal shift register got shifted out and UCxTXBUF is empty. 0b = No interrupt pending 1b = Interrupt pending
2	UCSTTIFG	RW	0h	Start bit interrupt flag. UCSTTIFG is set after a Start bit was received 0b = No interrupt pending 1b = Interrupt pending
1	UCTXIFG	RW	1h	Transmit interrupt flag. UCTXIFG is set when UCxTXBUF empty. 0b = No interrupt pending 1b = Interrupt pending
0	UCRXIFG	RW	0h	Receive interrupt flag. UCRXIFG is set when UCxRXBUF has received a complete character. 0b = No interrupt pending 1b = Interrupt pending

18.4.12 UCxIV Register

eUSCI_Ax Interrupt Vector Register

Figure 18-23. UCxIV Register

15	14	13	12	11	10	9	8
UCIVx							
r0	r0	r0	r0	r0	r0	r0	r0
7	6	5	4	3	2	1	0
UCIVx							
r0	r0	r0	r0	r-(0)	r-(0)	r-(0)	r0

Table 18-19. UCxIV Register Description

Bit	Field	Type	Reset	Description
15-0	UCIVx	R	0h	eUSCI_A interrupt vector value 00h = No interrupt pending 02h = Interrupt Source: Receive buffer full; Interrupt Flag: UCRXIFG; Interrupt Priority: Highest 04h = Interrupt Source: Transmit buffer empty; Interrupt Flag: UCTXIFG 06h = Interrupt Source: Start bit received; Interrupt Flag: UCSTTIFG 08h = Interrupt Source: Transmit complete; Interrupt Flag: UCTXCPITFG; Interrupt Priority: Lowest

Enhanced Universal Serial Communication Interface (eUSCI) – SPI Mode

The enhanced universal serial communication interfaces, eUSCI_A and eUSCI_B, support multiple serial communication modes with one hardware module. This chapter discusses the operation of the synchronous peripheral interface (SPI) mode.

Topic	Page
19.1 Enhanced Universal Serial Communication Interfaces (eUSCI_A, eUSCI_B) Overview	506
19.2 eUSCI Introduction – SPI Mode	506
19.3 eUSCI Operation – SPI Mode.....	508
19.4 eUSCI_A SPI Registers.....	514
19.5 eUSCI_B SPI Registers.....	523

19.1 Enhanced Universal Serial Communication Interfaces (eUSCI_A, eUSCI_B) Overview

Both the eUSCI_A and the eUSCI_B support serial communication in SPI mode.

19.2 eUSCI Introduction – SPI Mode

In synchronous mode, the eUSCI connects the device to an external system through three or four pins: UCxSIMO, UCxSOMI, UCxCLK, and UCxSTE. SPI mode is selected when the UCSYNC bit is set, and SPI mode (3-pin or 4-pin) is selected with the UCMODEx bits.

SPI mode features include:

- 7-bit or 8-bit data length
- LSB-first or MSB-first data transmit and receive
- 3-pin and 4-pin SPI operation
- Master or slave modes
- Independent transmit and receive shift registers
- Separate transmit and receive buffer registers
- Continuous transmit and receive operation
- Selectable clock polarity and phase control
- Programmable clock frequency in master mode
- Independent interrupt capability for receive and transmit
- Slave operation in LPM4

[Figure 19-1](#) shows the eUSCI when configured for SPI mode.

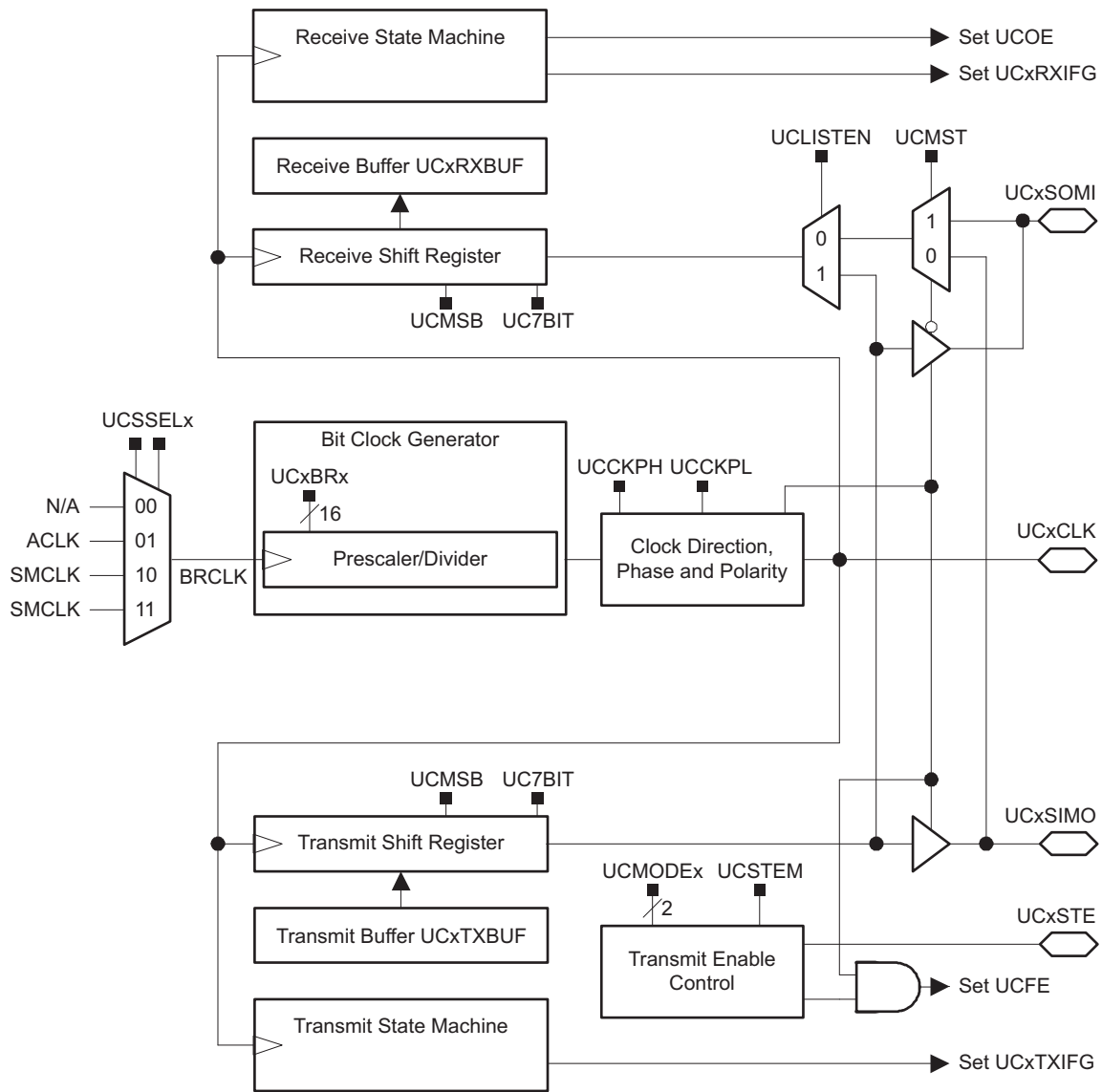


Figure 19-1. eUSCI Block Diagram – SPI Mode

19.3 eUSCI Operation – SPI Mode

In SPI mode, serial data is transmitted and received by multiple devices using a shared clock provided by the master. An additional pin controlled by the master, UCxSTE, is provided to enable a device to receive and transmit data.

Three or four signals are used for SPI data exchange:

- UCxSIMO – slave in, master out
Master mode: UCxSIMO is the data output line.
Slave mode: UCxSIMO is the data input line.
- UCxSOMI – slave out, master in
Master mode: UCxSOMI is the data input line.
Slave mode: UCxSOMI is the data output line.
- UCxCLK – eUSCI SPI clock
Master mode: UCxCLK is an output.
Slave mode: UCxCLK is an input.
- UCxSTE – slave transmit enable.
Used in 4-pin mode to allow multiple masters on a single bus. Not used in 3-pin mode. [Table 19-1](#) describes the UCxSTE operation.

Table 19-1. UCxSTE Operation

UCMODEx	UCxSTE Active State	UCxSTE	Slave	Master
01	High	0	Inactive	Active
		1	Active	Inactive
10	Low	0	Active	Inactive
		1	Inactive	Active

19.3.1 eUSCI Initialization and Reset

The eUSCI is reset by a PUC or by the UCSWRST bit. After a PUC, the UCSWRST bit is automatically set, keeping the eUSCI in a reset condition. When set, the UCSWRST bit resets the UCRXIE, UCTXIE, UCRXIFG, UCOE, and UCFE bits, and sets the UCTXIFG flag. Clearing UCSWRST releases the eUSCI for operation.

Configuring and reconfiguring the eUSCI module should be done when UCSWRST is set to avoid unpredictable behavior.

NOTE: Initializing or reconfiguring the eUSCI module

The recommended eUSCI initialization or reconfiguration process is:

1. Set UCSWRST.
`BIS.B #UCSWRST,&UCxCTL1`
 2. Initialize all eUSCI registers with UCSWRST = 1 (including UCxCTL1).
 3. Configure ports.
 4. Ensure that any input signals into the SPI module such as UCxSOMI (in master mode) or UCxSIMO and UCxCLK (in slave mode) have settled to their final voltage levels before clearing UCSWRST and avoid any unwanted transitions during operation.
 5. Clear UCSWRST.
`BIC.B #UCSWRST,&UCxCTL1`
 6. Enable interrupts (optional) with UCRXIE or UCTXIE.
-

19.3.2 Character Format

The eUSCI module in SPI mode supports 7-bit and 8-bit character lengths selected by the UC7BIT bit. In 7-bit data mode, UCxRXBUF is LSB justified and the MSB is always reset. The UCMSB bit controls the direction of the transfer and selects LSB or MSB first.

NOTE: Default character format

The default SPI character transmission is LSB first. For communication with other SPI interfaces, MSB-first mode may be required.

NOTE: Character format for figures

Figures throughout this chapter use MSB-first format.

19.3.3 Master Mode

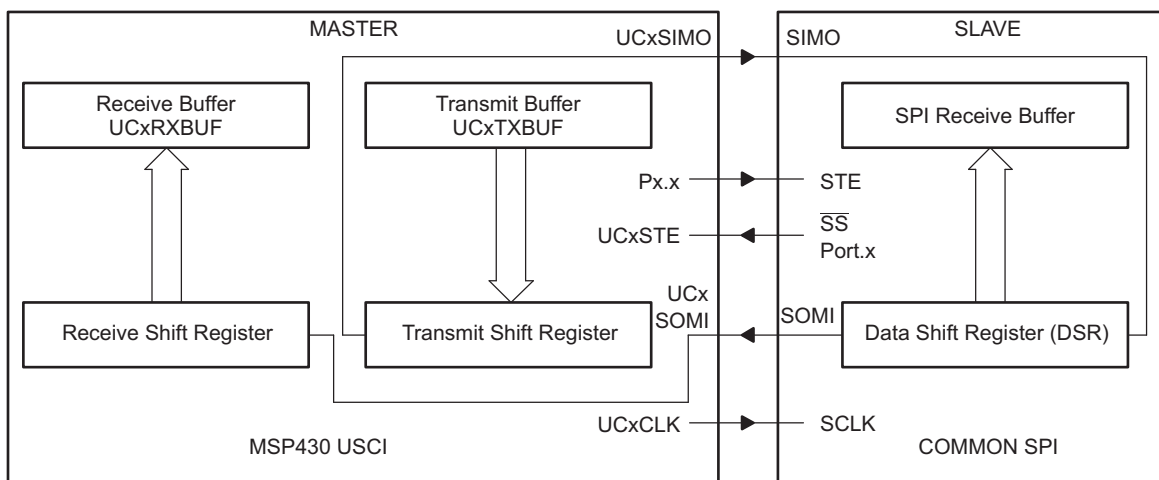


Figure 19-2. eUSCI Master and External Slave (UCSTEM = 0)

Figure 19-2 shows the eUSCI as a master in both 3-pin and 4-pin configurations. The eUSCI initiates data transfer when data is moved to the transmit data buffer UCxTXBUF. The UCxTXBUF data is moved to the transmit (TX) shift register when the TX shift register is empty, initiating data transfer on UCxSIMO starting with either the MSB or LSB, depending on the UCMSB setting. Data on UCxSOMI is shifted into the receive shift register on the opposite clock edge. When the character is received, the receive data is moved from the receive (RX) shift register to the received data buffer UCxRXBUF and the receive interrupt flag UCRXIFG is set, indicating the RX/TX operation is complete.

A set transmit interrupt flag, UCTXIFG, indicates that data has moved from UCxTXBUF to the TX shift register and UCxTXBUF is ready for new data. It does not indicate RX/TX completion.

To receive data into the eUSCI in master mode, data must be written to UCxTXBUF, because receive and transmit operations operate concurrently.

There two different options for configuring the eUSCI as a 4-pin master, which are described in the next sections:

- The fourth pin is used as input to prevent conflicts with other masters (UCSTEM = 0).
- The fourth pin is used as output to generate a slave enable signal (UCSTEM = 1).

The bit UCSTEM is used to select the corresponding mode.

19.3.3.1 4-Pin SPI Master Mode (UCSTEM = 0)

In 4-pin master mode with UCSTEM = 0, UCxSTE is a digital input that can be used to prevent conflicts with another master and controls the master as described in Table 19-1. When UCxSTE is in the master-inactive state and UCSTEM = 0:

- UCxSIMO and UCxCLK are set to inputs and no longer drive the bus.
- The error bit UCFE is set, indicating a communication integrity violation to be handled by the user.
- The internal state machines are reset and the shift operation is aborted.

If data is written into UCxTXBUF while the master is held inactive by UCxSTE, it is transmit as soon as UCxSTE transitions to the master-active state. If an active transfer is aborted by UCxSTE transitioning to the master-inactive state, the data must be rewritten into UCxTXBUF to be transferred when UCxSTE transitions back to the master-active state. The UCxSTE input signal is not used in 3-pin master mode.

19.3.3.2 4-Pin SPI Master Mode (UCSTEM = 1)

If UCSTEM = 1 in 4-pin master mode, UCxSTE is a digital output. In this mode the slave enable signal for a single slave is automatically generated on UCxSTE. The corresponding behavior can be seen in Figure 19-4.

If multiple slaves are desired, this feature is not applicable and the software needs to use general purpose I/O pins instead to generate STE signals for each slave individually.

19.3.4 Slave Mode

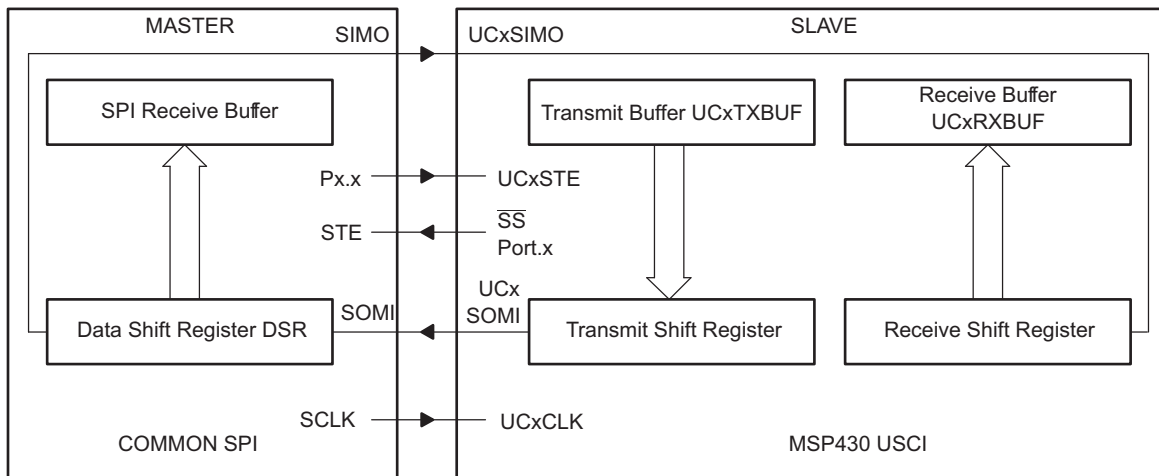


Figure 19-3. eUSCI Slave and External Master

Figure 19-3 shows the eUSCI as a slave in both 3-pin and 4-pin configurations. UCxCLK is used as the input for the SPI clock and must be supplied by the external master. The data-transfer rate is determined by this clock and not by the internal bit clock generator. Data written to UCxTXBUF and moved to the TX shift register before the start of UCxCLK is transmitted on UCxSOMI. Data on UCxSIMO is shifted into the receive shift register on the opposite edge of UCxCLK and moved to UCxRXBUF when the set number of bits are received. When data is moved from the RX shift register to UCxRXBUF, the UCRXIFG interrupt flag is set, indicating that data has been received. The overrun error bit UCOE is set when the previously received data is not read from UCxRXBUF before new data is moved to UCxRXBUF.

19.3.4.1 4-Pin SPI Slave Mode

In 4-pin slave mode, UCxSTE is a digital input used by the slave to enable the transmit and receive operations and is driven by the SPI master. When UCxSTE is in the slave-active state, the slave operates normally. When UCxSTE is in the slave-inactive state:

- Any receive operation in progress on UCxSIMO is halted.
- UCxSOMI is set to the input direction.
- The shift operation is halted until the UCxSTE line transitions into the slave transmit active state.

The UCxSTE input signal is not used in 3-pin slave mode.

19.3.5 SPI Enable

When the eUSCI module is enabled by clearing the UCSWRST bit, it is ready to receive and transmit. In master mode, the bit clock generator is ready, but is not clocked nor producing any clocks. In slave mode, the bit clock generator is disabled and the clock is provided by the master.

A transmit or receive operation is indicated by UCBUSY = 1.

A PUC or set UCSWRST bit disables the eUSCI immediately and any active transfer is terminated.

19.3.5.1 Transmit Enable

In master mode, writing to UCxTXBUF activates the bit clock generator, and the data begins to transmit.

In slave mode, transmission begins when a master provides a clock and, in 4-pin mode, when the UCxSTE is in the slave-active state.

19.3.5.2 Receive Enable

The SPI receives data when a transmission is active. Receive and transmit operations operate concurrently.

19.3.6 Serial Clock Control

UCxCLK is provided by the master on the SPI bus. When UCMST = 1, the bit clock is provided by the eUSCI bit clock generator on the UCxCLK pin. The clock used to generate the bit clock is selected with the UCSSELx bits. When UCMST = 0, the eUSCI clock is provided on the UCxCLK pin by the master, the bit clock generator is not used, but the UCSSELx bits must be set to 0. The SPI receiver and transmitter operate in parallel and use the same clock source for data transfer.

The 16-bit value of UCBRx in the bit rate control registers UCxxBRW is the division factor of the eUSCI clock source, BRCLK. With UCBRx = 0 the maximum bit clock that can be generated in master mode is BRCLK. Modulation is not used in SPI mode, and UCAxMCTL should be cleared when using SPI mode for eUSCI_A.

The UCAxCLK or UCBxCLK frequency is given by:

$$f_{\text{BitClock}} = f_{\text{BRCLK}} / \text{UCBRx}$$

If UCBRx = 0, $f_{\text{BitClock}} = f_{\text{BRCLK}}$

Even UCBRx settings result in even divisions and, thus, generate a bit clock with a 50/50 duty cycle.

Odd UCBRx settings result in odd divisions. In this case, the high phase of the bit clock is one BRCLK cycle longer than the low phase.

When UCBRx = 0, no division is applied to BRCLK, and the bit clock equals BRCLK.

19.3.6.1 Serial Clock Polarity and Phase

The polarity and phase of UCxCLK are independently configured through the UCCKPL and UCCKPH control bits of the eUSCI. Timing for each case is shown in [Figure 19-4](#).

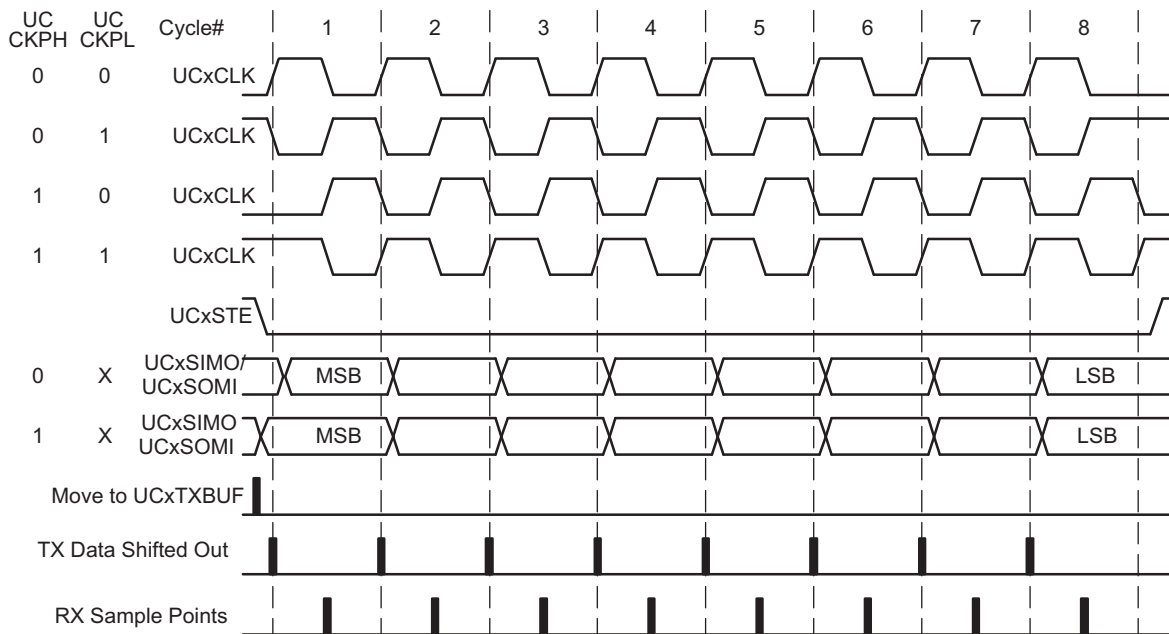


Figure 19-4. eUSCI SPI Timing With UCMSB = 1

19.3.7 Using the SPI Mode With Low-Power Modes

The eUSCI module provides automatic clock activation for use with low-power modes. When the eUSCI clock source is inactive because the device is in a low-power mode, the eUSCI module automatically activates it when needed, regardless of the control-bit settings for the clock source. The clock remains active until the eUSCI module returns to its idle condition. After the eUSCI module returns to the idle condition, control of the clock source reverts to the settings of its control bits.

In SPI slave mode, no internal clock source is required because the clock is provided by the external master. It is possible to operate the eUSCI in SPI slave mode while the device is in LPM4 and all clock sources are disabled. The receive or transmit interrupt can wake up the CPU from any low-power mode.

When receiving multiple bytes as a slave in LPM4 the wakeup time of the CPU needs to be considered. If the wake-up time of the CPU is, for example, 150 μ s (see device-specific data-sheet), make sure that the CPU serves the RXIFG of the first received byte before the second byte is completely received by the eUSCI_A or eUSCI_B. Otherwise an overrun error occurs.

19.3.8 eUSCI Interrupts in SPI Mode

The eUSCI has only one interrupt vector that is shared for transmission and for reception. eUSCI_Ax and eUSCI_Bx do not share the same interrupt vector.

19.3.8.1 SPI Transmit Interrupt Operation

The UCTXIFG interrupt flag is set by the transmitter to indicate that UCxTXBUF is ready to accept another character. An interrupt request is generated if UCTXIE and GIE are also set. UCTXIFG is automatically reset if a character is written to UCxTXBUF. UCTXIFG is set after a PUC or when UCSWRST = 1. UCTXIE is reset after a PUC or when UCSWRST = 1.

NOTE: Writing to UCxTXBUF in SPI mode

Data written to UCxTXBUF when UCTXIFG = 0 may result in erroneous data transmission.

19.3.8.2 SPI Receive Interrupt Operation

The UCRXIFG interrupt flag is set each time a character is received and loaded into UCxRXBUF. An interrupt request is generated if UCRXIE and GIE are also set. UCRXIFG and UCRXIE are reset by a system reset PUC signal or when UCSWRST = 1. UCRXIFG is automatically reset when UCxRXBUF is read.

19.3.8.3 UCxIV, Interrupt Vector Generator

The eUSCI interrupt flags are prioritized and combined to source a single interrupt vector. The interrupt vector register UCxIV is used to determine which flag requested an interrupt. The highest-priority enabled interrupt generates a number in the UCxIV register that can be evaluated or added to the program counter (PC) to automatically enter the appropriate software routine. Disabled interrupts do not affect the UCxIV value.

Any access, read or write, of the UCxIV register automatically resets the highest-pending interrupt flag. If another interrupt flag is set, another interrupt is immediately generated after servicing the initial interrupt.

19.3.8.3.1 UCxIV Software Example

The following software example shows the recommended use of UCxIV. The UCxIV value is added to the PC to automatically jump to the appropriate routine. The following example is given for eUSCI_B0.

```

USCI_SPI_ISR
    ADD    &UCB0IV, PC    ; Add offset to jump table
    RETI                               ; Vector 0: No interrupt
    JMP    RXIFG_ISR      ; Vector 2: RXIFG
TXIFG_ISR
    ...                               ; Task starts here
    RETI                               ; Return
RXIFG_ISR
    ...                               ; Task starts here
    RETI                               ; Return

```

19.4 eUSCI_A SPI Registers

The eUSCI_A registers applicable in SPI mode and their address offsets are listed in [Table 19-2](#). The base addresses can be found in the device-specific data sheet.

Table 19-2. eUSCI_A SPI Registers

Offset	Acronym	Register Name	Type	Access	Reset	Section
00h	UCAxCTLW0	eUSCI_Ax Control Word 0	Read/write	Word	0001h	Section 19.4.1
00h	UCAxCTL1	eUSCI_Ax Control 1	Read/write	Byte	01h	
01h	UCAxCTL0	eUSCI_Ax Control 0	Read/write	Byte	00h	
06h	UCAxBRW	eUSCI_Ax Bit Rate Control Word	Read/write	Word	0000h	Section 19.4.2
06h	UCAxBR0	eUSCI_Ax Bit Rate Control 0	Read/write	Byte	00h	
07h	UCAxBR1	eUSCI_Ax Bit Rate Control 1	Read/write	Byte	00h	
0Ah	UCAxSTATW	eUSCI_Ax Status	Read/write	Word	00h	Section 19.4.3
0Ch	UCAxRXBUF	eUSCI_Ax Receive Buffer	Read/write	Word	00h	Section 19.4.4
0Eh	UCAxTXBUF	eUSCI_Ax Transmit Buffer	Read/write	Word	00h	Section 19.4.5
1Ah	UCAxIE	eUSCI_Ax Interrupt Enable	Read/write	Word	00h	Section 19.4.6
1Ch	UCAxIFG	eUSCI_Ax Interrupt Flag	Read/write	Word	02h	Section 19.4.7
1Eh	UCAxIV	eUSCI_Ax Interrupt Vector	Read	Word	0000h	Section 19.4.8

19.4.1 UCxCTLW0 Register

eUSCI_Ax Control Register 0

Figure 19-5. UCxCTLW0 Register

15	14	13	12	11	10	9	8
UCCKPH	UCCKPL	UCMSB	UC7BIT	UCMST	UCMODEx		UCSYNC
rw-0	rw-0	rw-0	rw-0	rw-0	rw-0	rw-0	rw-0
7	6	5	4	3	2	1	0
UCSSELx		Reserved				UCSTEM	UCSWRST
rw-0	rw-0	rw-0	rw-0	rw-0	rw-0	rw-0	rw-1

Can be modified only when UCSWRST = 1.

Table 19-3. UCxCTLW0 Register Description

Bit	Field	Type	Reset	Description
15	UCCKPH	RW	0h	Clock phase select 0b = Data is changed on the first UCLK edge and captured on the following edge. 1b = Data is captured on the first UCLK edge and changed on the following edge.
14	UCCKPL	RW	0h	Clock polarity select 0b = The inactive state is low. 1b = The inactive state is high.
13	UCMSB	RW	0h	MSB first select. Controls the direction of the receive and transmit shift register. 0b = LSB first 1b = MSB first
12	UC7BIT	RW	0h	Character length. Selects 7-bit or 8-bit character length. 0b = 8-bit data 1b = 7-bit data
11	UCMST	RW	0h	Master mode select 0b = Slave mode 1b = Master mode
10-9	UCMODEx	RW	0h	eUSCI mode. The UCMODEx bits select the synchronous mode when UCSYNC = 1. 00b = 3-pin SPI 01b = 4-pin SPI with UCxSTE active high: Slave enabled when UCxSTE = 1 10b = 4-pin SPI with UCxSTE active low: Slave enabled when UCxSTE = 0 11b = Reserved
8	UCSYNC	RW	0h	Synchronous mode enable 0b = Asynchronous mode 1b = Synchronous mode
7-6	UCSSELx	RW	0h	eUSCI clock source select. These bits select the BRCLK source clock. 00b = UCxCLK in slave mode. Do not use in master mode. 01b = ACLK in master mode. Do not use in slave mode. 10b = SMCLK in master mode. Do not use in slave mode. 11b = SMCLK in master mode. Do not use in slave mode.
5-2	Reserved	R	0h	Reserved
1	UCSTEM	RW	0h	STE mode select in master mode. This byte is ignored in slave or 3-wire mode. 0b = STE pin is used to prevent conflicts with other masters 1b = STE pin is used to generate the enable signal for a 4-wire slave
0	UCSWRST	RW	1h	Software reset enable 0b = Disabled. eUSCI reset released for operation. 1b = Enabled. eUSCI logic held in reset state.

19.4.2 UCxBRW Register

eUSCI_Ax Bit Rate Control Register 1

Figure 19-6. UCxBRW Register

15	14	13	12	11	10	9	8
UCBRx							
rw	rw	rw	rw	rw	rw	rw	rw
7	6	5	4	3	2	1	0
UCBRx							
rw	rw	rw	rw	rw	rw	rw	rw

Can be modified only when UCSWRST = 1.

Table 19-4. UCxBRW Register Description

Bit	Field	Type	Reset	Description
15-0	UCBRx	RW	0h	Bit clock prescaler setting. $f_{\text{BitClock}} = f_{\text{BRCLK}} / \text{UCBRx}$ If UCBRx = 0, $f_{\text{BitClock}} = f_{\text{BRCLK}}$

19.4.3 UCxSTATW Register

eUSCI_Ax Status Register

Figure 19-7. UCxSTATW Register

15	14	13	12	11	10	9	8
Reserved							
r0	r0	r0	r0	r0	r0	r0	r0
7	6	5	4	3	2	1	0
UCLISTEN	UCFE	UCOE	Reserved				UCBUSY
rw-0	rw-0	rw-0	rw-0	rw-0	rw-0	rw-0	r-0

Can be modified only when UCSWRST = 1.

Table 19-5. UCxSTATW Register Description

Bit	Field	Type	Reset	Description
15-8	Reserved	R	0h	Reserved
7	UCLISTEN	RW	0h	Listen enable. The UCLISTEN bit selects loopback mode. 0b = Disabled 1b = Enabled. The transmitter output is internally fed back to the receiver.
6	UCFE	RW	0h	Framing error flag. This bit indicates a bus conflict in 4-wire master mode. UCFE is not used in 3-wire master or any slave mode. 0b = No error 1b = Bus conflict occurred
5	UCOE	RW	0h	Overrun error flag. This bit is set when a character is transferred into UCxRXBUF before the previous character was read. UCOE is cleared automatically when UCxRXBUF is read, and must not be cleared by software. Otherwise, it does not function correctly. 0b = No error 1b = Overrun error occurred
4-1	Reserved	RW	0h	Reserved
0	UCBUSY	R	0h	eUSCI busy. This bit indicates if a transmit or receive operation is in progress. 0b = eUSCI inactive 1b = eUSCI transmitting or receiving

19.4.4 UCxRXBUF Register

eUSCI_Ax Receive Buffer Register

Figure 19-8. UCxRXBUF Register

15	14	13	12	11	10	9	8
Reserved							
r0	r0	r0	r0	r0	r0	r0	r0
7	6	5	4	3	2	1	0
UCRXBUFx							
rw	rw	rw	rw	rw	rw	rw	rw

Table 19-6. UCxRXBUF Register Description

Bit	Field	Type	Reset	Description
15-8	Reserved	R	0h	Reserved
7-0	UCRXBUFx	R	0h	The receive-data buffer is user accessible and contains the last received character from the receive shift register. Reading UCxRXBUF resets the receive-error bits and UCRXIFG. In 7-bit data mode, UCxRXBUF is LSB justified and the MSB is always reset.

19.4.5 UCxTXBUF Register

eUSCI_Ax Transmit Buffer Register

Figure 19-9. UCxTXBUF Register

15	14	13	12	11	10	9	8
Reserved							
r0	r0	r0	r0	r0	r0	r0	r0
7	6	5	4	3	2	1	0
UCTXBUFx							
rw	rw	rw	rw	rw	rw	rw	rw

Table 19-7. UCxTXBUF Register Description

Bit	Field	Type	Reset	Description
15-8	Reserved	R	0h	Reserved
7-0	UCTXBUFx	RW	0h	The transmit data buffer is user accessible and holds the data waiting to be moved into the transmit shift register and transmitted. Writing to the transmit data buffer clears UCTXIFG. The MSB of UCxTXBUF is not used for 7-bit data and is reset.

19.4.6 UCAXIE Register

eUSCI_Ax Interrupt Enable Register

Figure 19-10. UCAXIE Register

15	14	13	12	11	10	9	8
Reserved							
r0	r0	r0	r0	r0	r0	r0	r0
7	6	5	4	3	2	1	0
Reserved						UCTXIE	UCRXIE
r-0	r-0	r-0	r-0	r-0	r-0	rw-0	rw-0

Table 19-8. UCAXIE Register Description

Bit	Field	Type	Reset	Description
15-2	Reserved	R	0h	Reserved
1	UCTXIE	RW	0h	Transmit interrupt enable 0b = Interrupt disabled 1b = Interrupt enabled
0	UCRXIE	RW	0h	Receive interrupt enable 0b = Interrupt disabled 1b = Interrupt enabled

19.4.7 UCxIFG Register

eUSCI_Ax Interrupt Flag Register

Figure 19-11. UCxIFG Register

15	14	13	12	11	10	9	8
Reserved							
r0	r0	r0	r0	r0	r0	r0	r0
7	6	5	4	3	2	1	0
Reserved						UCTXIFG	UCRXIFG
r-0	r-0	r-0	r-0	r-0	r-0	rw-1	rw-0

Table 19-9. UCxIFG Register Description

Bit	Field	Type	Reset	Description
15-2	Reserved	R	0h	Reserved
1	UCTXIFG	RW	1h	Transmit interrupt flag. UCTXIFG is set when UCxxTXBUF empty. 0b = No interrupt pending 1b = Interrupt pending
0	UCRXIFG	RW	0h	Receive interrupt flag. UCRXIFG is set when UCxxRXBUF has received a complete character. 0b = No interrupt pending 1b = Interrupt pending

19.4.8 UCAXIV Register

eUSCI_Ax Interrupt Vector Register

Figure 19-12. UCAXIV Register

15	14	13	12	11	10	9	8
UCIVx							
r0	r0	r0	r0	r0	r0	r0	r0
7	6	5	4	3	2	1	0
UCIVx							
r0	r0	r0	r-0	r-0	r-0	r-0	r0

Table 19-10. UCAXIV Register Description

Bit	Field	Type	Reset	Description
15-0	UCIVx	R	0h	eUSCI interrupt vector value 000h = No interrupt pending 002h = Interrupt Source: Data received; Interrupt Flag: UCRXIFG; Interrupt Priority: Highest 004h = Interrupt Source: Transmit buffer empty; Interrupt Flag: UCTXIFG; Interrupt Priority: Lowest

19.5 eUSCI_B SPI Registers

The eUSCI_B registers applicable in SPI mode and their address offsets are listed in [Table 19-11](#). The base addresses can be found in the device-specific data sheet.

Table 19-11. eUSCI_B SPI Registers

Offset	Acronym	Register Name	Type	Access	Reset	Section
00h	UCBxCTLW0	eUSCI_Bx Control Word 0	Read/write	Word	01C1h	Section 19.5.1
00h	UCBxCTL1	eUSCI_Bx Control 1	Read/write	Byte	C1h	
01h	UCBxCTL0	eUSCI_Bx Control 0	Read/write	Byte	01h	
06h	UCBxBRW	eUSCI_Bx Bit Rate Control Word	Read/write	Word	0000h	Section 19.5.2
06h	UCBxBR0	eUSCI_Bx Bit Rate Control 0	Read/write	Byte	00h	
07h	UCBxBR1	eUSCI_Bx Bit Rate Control 1	Read/write	Byte	00h	
08h	UCBxSTATW	eUSCI_Bx Status	Read/write	Word	00h	Section 19.5.3
0Ch	UCBxRXBUF	eUSCI_Bx Receive Buffer	Read/write	Word	00h	Section 19.5.4
0Eh	UCBxTXBUF	eUSCI_Bx Transmit Buffer	Read/write	Word	00h	Section 19.5.5
2Ah	UCBxIE	eUSCI_Bx Interrupt Enable	Read/write	Word	00h	Section 19.5.6
2Ch	UCBxIFG	eUSCI_Bx Interrupt Flag	Read/write	Word	02h	Section 19.5.7
2Eh	UCBxIV	eUSCI_Bx Interrupt Vector	Read	Word	0000h	Section 19.5.8

19.5.1 UCBxCTLW0 Register

eUSCI_Bx Control Register 0

Figure 19-13. UCBxCTLW0 Register

15	14	13	12	11	10	9	8
UCCKPH	UCCKPL	UCMSB	UC7BIT	UCMST	UCMODEx		UCSYNC
rw-0	rw-0	rw-0	rw-0	rw-0	rw-0	rw-0	rw-1
7	6	5	4	3	2	1	0
UCSSELx		Reserved				UCSTEM	UCSWRST
rw-1	rw-1	r0	rw-0	rw-0	rw-0	rw-0	rw-1

Can be modified only when UCSWRST = 1.

Table 19-12. UCBxCTLW0 Register Description

Bit	Field	Type	Reset	Description
15	UCCKPH	RW	0h	Clock phase select 0b = Data is changed on the first UCLK edge and captured on the following edge. 1b = Data is captured on the first UCLK edge and changed on the following edge.
14	UCCKPL	RW	0h	Clock polarity select 0b = The inactive state is low. 1b = The inactive state is high.
13	UCMSB	RW	0h	MSB first select. Controls the direction of the receive and transmit shift register. 0b = LSB first 1b = MSB first
12	UC7BIT	RW	0h	Character length. Selects 7-bit or 8-bit character length. 0b = 8-bit data 1b = 7-bit data
11	UCMST	RW	0h	Master mode select 0b = Slave mode 1b = Master mode
10-9	UCMODEx	RW	0h	eUSCI mode. The UCMODEx bits select the synchronous mode when UCSYNC = 1. 00b = 3-pin SPI 01b = 4-pin SPI with UCxSTE active high: Slave enabled when UCxSTE = 1 10b = 4-pin SPI with UCxSTE active low: Slave enabled when UCxSTE = 0 11b = I2C mode
8	UCSYNC	RW	1h	Synchronous mode enable 0b = Asynchronous mode 1b = Synchronous mode
7-6	UCSSELx	RW	3h	eUSCI clock source select. These bits select the BRCLK source clock. 00b = UCxCLK in slave mode. Don't use in master mode. 01b = ACLK in master mode. Don't use in slave mode. 10b = SMCLK in master mode. Don't use in slave mode. 11b = SMCLK in master mode. Don't use in slave mode.
5-2	Reserved	R	0h	Reserved
1	UCSTEM	RW	0h	STE mode select in master mode. This byte is ignored in slave or 3-wire mode. 0b = STE pin is used to prevent conflicts with other masters 1b = STE pin is used to generate the enable signal for a 4-wire slave
0	UCSWRST	RW	1h	Software reset enable 0b = Disabled. eUSCI reset released for operation. 1b = Enabled. eUSCI logic held in reset state.

19.5.2 UCBxBRW Register

eUSCI_Bx Bit Rate Control Register 1

Figure 19-14. UCBxBRW Register

15	14	13	12	11	10	9	8
UCBRx							
rw	rw	rw	rw	rw	rw	rw	rw
7	6	5	4	3	2	1	0
UCBRx							
rw	rw	rw	rw	rw	rw	rw	rw

Can be modified only when UCSWRST = 1.

Table 19-13. UCBxBRW Register Description

Bit	Field	Type	Reset	Description
15-0	UCBRx	RW	0h	Bit clock prescaler setting. $f_{\text{BitClock}} = f_{\text{BRCLK}} / \text{UCBRx}$ If UCBRx = 0, $f_{\text{BitClock}} = f_{\text{BRCLK}}$

19.5.3 UCBxSTATW Register

eUSCI_Bx Status Register

Figure 19-15. UCBxSTATW Register

15	14	13	12	11	10	9	8	
Reserved								
r0	r0	r0	r0	r0	r0	r0	r0	
7	6	5	4	3	2	1	0	
UCLISTEN	UCFE	UCOE	Reserved				UCBUSY	
rw-0	rw-0	rw-0	r0	r0	r0	r0	r-0	

Can be modified only when UCSWRST = 1.

Table 19-14. UCBxSTATW Register Description

Bit	Field	Type	Reset	Description
15-8	Reserved	R	0h	Reserved
7	UCLISTEN	RW	0h	Listen enable. The UCLISTEN bit selects loopback mode. 0b = Disabled 1b = Enabled. The transmitter output is internally fed back to the receiver.
6	UCFE	RW	0h	Framing error flag. This bit indicates a bus conflict in 4-wire master mode. UCFE is not used in 3-wire master or any slave mode. 0b = No error 1b = Bus conflict occurred
5	UCOE	RW	0h	Overrun error flag. This bit is set when a character is transferred into UCxRXBUF before the previous character was read. UCOE is cleared automatically when UCxRXBUF is read, and must not be cleared by software. Otherwise, it does not function correctly. 0b = No error 1b = Overrun error occurred
4-1	Reserved	R	0h	Reserved
0	UCBUSY	R	0h	eUSCI busy. This bit indicates if a transmit or receive operation is in progress. 0b = eUSCI inactive 1b = eUSCI transmitting or receiving

19.5.4 UCBxRXBUF Register

eUSCI_Bx Receive Buffer Register

Figure 19-16. UCBxRXBUF Register

15	14	13	12	11	10	9	8
Reserved							
r0	r0	r0	r0	r0	r0	r0	r0
7	6	5	4	3	2	1	0
UCRXBUFx							
rw	rw	rw	rw	rw	rw	rw	rw

Table 19-15. UCBxRXBUF Register Description

Bit	Field	Type	Reset	Description
15-8	Reserved	R	0h	Reserved
7-0	UCRXBUFx	R	0h	The receive-data buffer is user accessible and contains the last received character from the receive shift register. Reading UCxRXBUF resets the receive-error bits and UCRXIFG. In 7-bit data mode, UCxRXBUF is LSB justified and the MSB is always reset.

19.5.5 UCBxTXBUF Register

eUSCI_Bx Transmit Buffer Register

Figure 19-17. UCBxTXBUF Register

15	14	13	12	11	10	9	8
Reserved							
r0	r0	r0	r0	r0	r0	r0	r0
7	6	5	4	3	2	1	0
UCTXBUFx							
rw	rw	rw	rw	rw	rw	rw	rw

Table 19-16. UCBxTXBUF Register Description

Bit	Field	Type	Reset	Description
15-8	Reserved	R	0h	Reserved
7-0	UCTXBUFx	RW	0h	The transmit data buffer is user accessible and holds the data waiting to be moved into the transmit shift register and transmitted. Writing to the transmit data buffer clears UCTXIFG. The MSB of UCxTXBUF is not used for 7-bit data and is reset.

19.5.6 UCBxIE Register

eUSCI_Bx Interrupt Enable Register

Figure 19-18. UCBxIE Register

15	14	13	12	11	10	9	8
Reserved							
r0	r0	r0	r0	r0	r0	r0	r0
7	6	5	4	3	2	1	0
Reserved						UCTXIE	UCRXIE
r-0	r-0	r-0	r-0	r-0	r-0	rw-0	rw-0

Table 19-17. UCBxIE Register Description

Bit	Field	Type	Reset	Description
15-2	Reserved	R	0h	Reserved
1	UCTXIE	RW	0h	Transmit interrupt enable 0b = Interrupt disabled 1b = Interrupt enabled
0	UCRXIE	RW	0h	Receive interrupt enable 0b = Interrupt disabled 1b = Interrupt enabled

19.5.7 UCBxIFG Register

eUSCI_Bx Interrupt Flag Register

Figure 19-19. UCBxIFG Register

15	14	13	12	11	10	9	8
Reserved							
r0	r0	r0	r0	r0	r0	r0	r0
7	6	5	4	3	2	1	0
Reserved						UCTXIFG	UCRXIFG
r-0	r-0	r-0	r-0	r-0	r-0	rw-1	rw-0

Table 19-18. UCBxIFG Register Description

Bit	Field	Type	Reset	Description
15-2	Reserved	R	0h	Reserved
1	UCTXIFG	RW	1h	Transmit interrupt flag. UCTXIFG is set when UCxxTXBUF empty. 0b = No interrupt pending 1b = Interrupt pending
0	UCRXIFG	RW	0h	Receive interrupt flag. UCRXIFG is set when UCxxRXBUF has received a complete character. 0b = No interrupt pending 1b = Interrupt pending

19.5.8 UCBxIV Register

eUSCI_Bx Interrupt Vector Register

Figure 19-20. UCBxIV Register

15	14	13	12	11	10	9	8
UCIVx							
r0	r0	r0	r0	r0	r0	r0	r0
7	6	5	4	3	2	1	0
UCIVx							
r0	r0	r0	r-0	r-0	r-0	r-0	r0

Table 19-19. UCBxIV Register Description

Bit	Field	Type	Reset	Description
15-0	UCIVx	R	0h	eUSCI interrupt vector value 0000h = No interrupt pending 0002h = Interrupt Source: Data received; Interrupt Flag: UCRXIFG; Interrupt Priority: Highest 0004h = Interrupt Source: Transmit buffer empty; Interrupt Flag: UCTXIFG; Interrupt Priority: Lowest

Enhanced Universal Serial Communication Interface (eUSCI) – I²C Mode

The enhanced universal serial communication interface B (eUSCI_B) supports multiple serial communication modes with one hardware module. This chapter discusses the operation of the I²C mode.

Topic	Page
20.1 Enhanced Universal Serial Communication Interface B (eUSCI_B) Overview	530
20.2 eUSCI_B Introduction – I²C Mode	530
20.3 eUSCI_B Operation – I²C Mode.....	531
20.4 eUSCI_B I2C Registers.....	552

20.1 Enhanced Universal Serial Communication Interface B (eUSCI_B) Overview

The eUSCI_B module supports two serial communication modes:

- I²C mode
- SPI mode

If more than one eUSCI_B module is implemented on one device, those modules are named with incrementing numbers. For example, if one device has two eUSCI_B modules, they are named eUSCI0_B and eUSCI1_B.

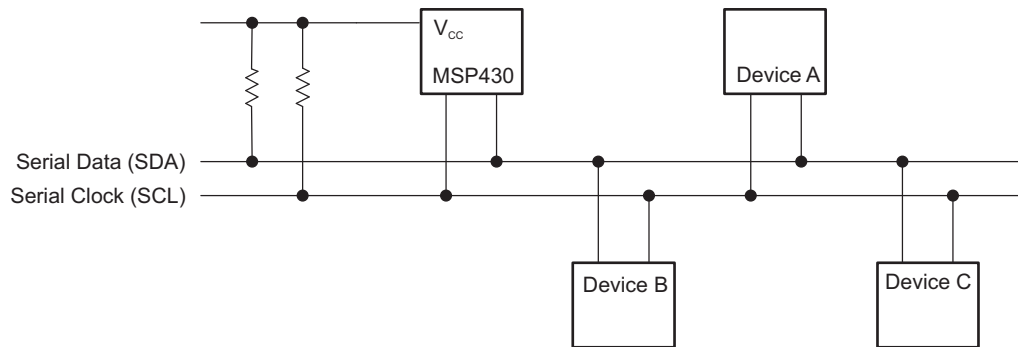
20.2 eUSCI_B Introduction – I²C Mode

In I²C mode, the eUSCI_B module provides an interface between the device and I²C-compatible devices connected by the two-wire I²C serial bus. External components attached to the I²C bus serially transmit or receive serial data to or from the eUSCI_B module through the 2-wire I²C interface.

The eUSCI_B I²C mode features include:

- 7-bit and 10-bit device addressing modes
- General call
- START, RESTART, STOP
- Multi-master transmitter or receiver mode
- Slave receiver or transmitter mode
- Standard mode up to 100 kbps and fast mode up to 400 kbps support
- Programmable UCxCLK frequency in master mode
- Designed for low power
- 8-bit byte counter with interrupt capability and automatic STOP assertion
- Up to four hardware slave addresses, each having its own interrupt and DMA trigger
- Mask register for slave address and address received interrupt
- Clock low time-out interrupt to avoid bus stalls
- Slave operation in LPM4
- Slave receiver START detection for auto wake-up from LPMx modes (not LPM3.5 and LPM4.5)

[Figure 20-1](#) shows the eUSCI_B when configured in I²C mode.


Figure 20-2. I²C Bus Connection Diagram

NOTE: SDA and SCL levels

The SDA and SCL pins must not be pulled up above the device V_{CC} level.

20.3.1 eUSCI_B Initialization and Reset

The eUSCI_B is reset by a PUC or by setting the UCSWRST bit. After a PUC, the UCSWRST bit is automatically set, keeping the eUSCI_B in a reset condition. To select I²C operation, the UCMODEx bits must be set to 11b. After module initialization, it is ready for transmit or receive operation. Clear UCSWRST to release the eUSCI_B for operation.

To avoid unpredictable behavior, configure or reconfigure the eUSCI_B module only when UCSWRST is set. Setting UCSWRST in I²C mode has the following effects:

- I²C communication stops.
- SDA and SCL are high impedance.
- UCBxSTAT, bits 15-8 and 6-4 are cleared.
- Registers UCBxIE and UCBxIFG are cleared.
- All other bits and registers remain unchanged.

NOTE: Initializing or reconfiguring the eUSCI_B module

The recommended eUSCI_B initialization/reconfiguration process is:

1. Set UCSWRST (BIS.B
#UCSWRST, &UCxCTL1).
 2. Initialize all eUSCI_B registers with UCSWRST = 1 (including UCxCTL1).
 3. Configure ports.
 4. Clear UCSWRST through software (BIC.B
#UCSWRST, &UCxCTL1).
 5. Enable interrupts (optional).
-

20.3.2 I²C Serial Data

One clock pulse is generated by the master device for each data bit transferred. The I²C mode operates with byte data. Data is transferred MSB first as shown in [Figure 20-3](#).

The first byte after a START condition consists of a 7-bit slave address and the R/W bit. When $R/\bar{W} = 0$, the master transmits data to a slave. When $R/\bar{W} = 1$, the master receives data from a slave. The ACK bit is sent from the receiver after each byte on the ninth SCL clock.

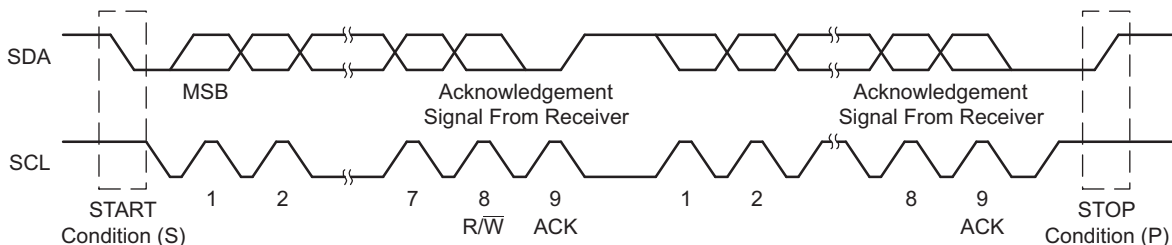


Figure 20-3. I²C Module Data Transfer

START and STOP conditions are generated by the master and are shown in Figure 20-3. A START condition is a high-to-low transition on the SDA line while SCL is high. A STOP condition is a low-to-high transition on the SDA line while SCL is high. The bus busy bit, UCBBUSY, is set after a START and cleared after a STOP.

Data on SDA must be stable during the high period of SCL (see Figure 20-4). The high and low state of SDA can change only when SCL is low, otherwise START or STOP conditions are generated.

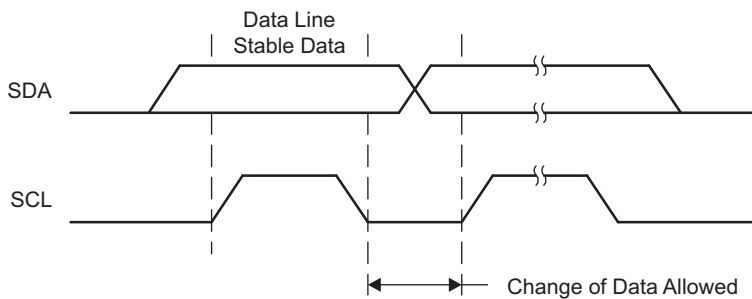


Figure 20-4. Bit Transfer on I²C Bus

20.3.3 I²C Addressing Modes

The I²C mode supports 7-bit and 10-bit addressing modes.

20.3.3.1 7-Bit Addressing

In the 7-bit addressing format (see Figure 20-5), the first byte is the 7-bit slave address and the R/W bit. The ACK bit is sent from the receiver after each byte.

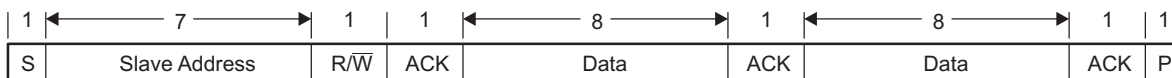
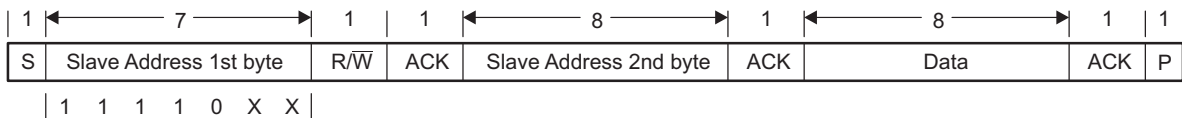


Figure 20-5. I²C Module 7-Bit Addressing Format

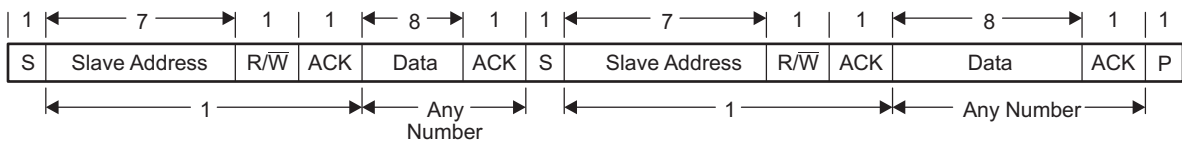
20.3.3.2 10-Bit Addressing

In the 10-bit addressing format (see Figure 20-6), the first byte is made up of 11110b plus the two MSBs of the 10-bit slave address and the R/W bit. The ACK bit is sent from the receiver after each byte. The next byte is the remaining eight bits of the 10-bit slave address, followed by the ACK bit and the 8-bit data. See I²C Slave 10-bit Addressing Mode and I²C Master 10-bit Addressing Mode for details how to use the 10-bit addressing mode with the eUSCI_B module.


Figure 20-6. I²C Module 10-Bit Addressing Format

20.3.3.3 Repeated Start Conditions

The direction of data flow on SDA can be changed by the master, without first stopping a transfer, by issuing a repeated START condition. This is called a RESTART. After a RESTART is issued, the slave address is again sent out with the new data direction specified by the R/W bit. The RESTART condition is shown in Figure 20-7.


Figure 20-7. I²C Module Addressing Format With Repeated START Condition

20.3.4 I²C Quick Setup

This section gives a quick introduction into the operation of the eUSCI_B in I²C mode. The basic steps to start communication are described and shown as a software example. More detailed information about the possible configurations and details can be found in Section 20.3.5.

The latest code examples can be found on the MSP430 web under "Code Examples".

To set up the eUSCI_B as a master transmitter that transmits to a slave with the address 0x12h, only a few steps are needed (see Example 20-1).

Example 20-1. Master TX With 7-Bit Address

```

UCBxCTL1 |= UCSWRST;           // put eUSCI_B in reset state
UCBxCTLW0 |= UCMODE_3 + UCMST; // I2C master mode
UCBxBRW = 0x0008;             // baud rate = SMCLK / 8
UCBxCTLW1 = UCSTP_2;         // automatic STOP assertion
UCBxTBCNT = 0x07;            // TX 7 bytes of data
UCBxI2CSA = 0x0012;          // address slave is 12hex
P2SEL |= 0x03;               // configure I2C pins (device specific)
UCBxCTL1 &= ^UCSWRST;        // eUSCI_B in operational state
UCBxIE |= UCTXIE;            // enable TX-interrupt
GIE;                           // general interrupt enable
...
// inside the eUSCI_B TX interrupt service routine
UCBxTXBUF = 0x77;             // fill TX buffer
    
```

As shown in the code example, all configurations must be done while UCSWRST is set. To select the I²C operation of the eUSCI_B, UCMODE must be set accordingly. The baud rate of the transmission is set by writing the correct divider in the UCBxBRW register. The default clock selected is SMCLK. How many bytes are transmitted in one frame is controlled by the byte counter threshold register UCBxTBCNT together with the UCSTPx bits.

The slave address to send to is specified in the UCBxI2CSA register. Finally, the ports must be configured. This step is device dependent; see the data sheet for the pins that must be used.

Each byte that is to be transmitted must be written to the UCBxTXBUF inside the interrupt service routine. The recommended structure of the interrupt service routine can be found in Example 20-3.

[Example 20-2](#) shows the steps needed to set up the eUSCI_B as a slave with the address 0x12h that is able to receive and transmit data to the master.

Example 20-2. Slave RX With 7-Bit Address

```

UCBxCTL1 |= UCSWRST;           // eUSCI_B in reset state
UCBxCTLW0 |= UCMODE_3;         // I2C slave mode
UCBxI2COA0 = 0x0412;          // own address is 12hex
P2SEL |= 0x03;                 // configure I2C pins (device specific)
UCBxCTL1 &= ^UCSWRST;         // eUSCI_B in operational state
UCBxIE |= UCTXIE + UCRXIE;     // enable TX&RX-interrupt
GIE;                             // general interrupt enable
...
// inside the eUSCI_B TX interrupt service routine
UCBxTXBUF = 0x77;              // send 077h
...
// inside the eUSCI_B RX interrupt service routine
data = UCBxRXBUF;              // data is the internal variable

```

As shown in [Example 20-2](#), all configurations must be done while UCSWRST is set. For the slave, I²C operation is selected by setting UCMODE. The slave address is specified in the UCBxI2COA0 register. To enable the interrupts for receive and transmit requests, the according bits in UCBxIE and, at the end, GIE need to be set. Finally the ports must be configured. This step is device dependent; see the data sheet for the pins that are used.

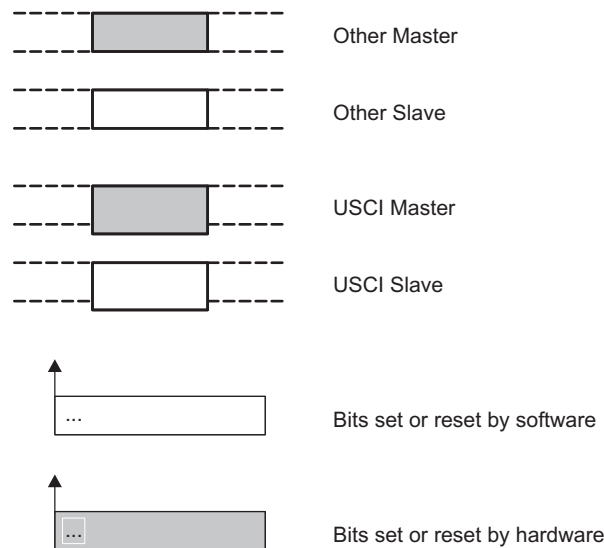
The RX interrupt service routine is called for every byte received by a master device. The TX interrupt service routine is executed each time the master requests a byte. The recommended structure of the interrupt service routine can be found in [Example 20-3](#).

20.3.5 I²C Module Operating Modes

In I²C mode, the eUSCI_B module can operate in master transmitter, master receiver, slave transmitter, or slave receiver mode. The modes are discussed in the following sections. Time lines are used to illustrate the modes.

[Figure 20-8](#) shows how to interpret the time-line figures. Data transmitted by the master is represented by grey rectangles; data transmitted by the slave is represented by white rectangles. Data transmitted by the eUSCI_B module, either as master or slave, is shown by rectangles that are taller than the others.

Actions taken by the eUSCI_B module are shown in grey rectangles with an arrow indicating where in the data stream the action occurs. Actions that must be handled with software are indicated with white rectangles with an arrow pointing to where in the data stream the action must take place.


Figure 20-8. I²C Time-Line Legend

20.3.5.1 Slave Mode

The eUSCI_B module is configured as an I²C slave by selecting the I²C mode with UCMODEx = 11 and UCSYNC = 1 and clearing the UCMST bit.

Initially, the eUSCI_B module must be configured in receiver mode by clearing the UCTR bit to receive the I²C address. Afterwards, transmit and receive operations are controlled automatically, depending on the R/W bit received together with the slave address.

The eUSCI_B slave address is programmed with the UCBxI2COA0 register. Support for multiple slave addresses is explained in [Section 20.3.9](#). When UCA10 = 0, 7-bit addressing is selected. When UCA10 = 1, 10-bit addressing is selected. The UCGCEN bit selects if the slave responds to a general call.

When a START condition is detected on the bus, the eUSCI_B module receives the transmitted address and compares it against its own address stored in UCBxI2COA0. The UCSTTIFG flag is set when address received matches the eUSCI_B slave address.

20.3.5.1.1 I²C Slave Transmitter Mode

Slave transmitter mode is entered when the slave address transmitted by the master is identical to its own address with a set R/W bit. The slave transmitter shifts the serial data out on SDA with the clock pulses that are generated by the master device. The slave device does not generate the clock, but it does hold SCL low while intervention of the CPU is required after a byte has been transmitted.

If the master requests data from the slave, the eUSCI_B module is automatically configured as a transmitter and UCTR and UCTXIFG0 become set. The SCL line is held low until the first data to be sent is written into the transmit buffer UCBxTXBUF. Then the address is acknowledged and the data is transmitted. As soon as the data is transferred into the shift register, the UCTXIFG0 is set again. After the data is acknowledged by the master, the next data byte written into UCBxTXBUF is transmitted or, if the buffer is empty, the bus is stalled during the acknowledge cycle by holding SCL low until new data is written into UCBxTXBUF. If the master sends a NACK followed by a STOP condition, the UCSTPIFG flag is set. If the NACK is followed by a repeated START condition, the eUSCI_B I²C state machine returns to its address-reception state.

[Figure 20-9](#) shows the slave transmitter operation.

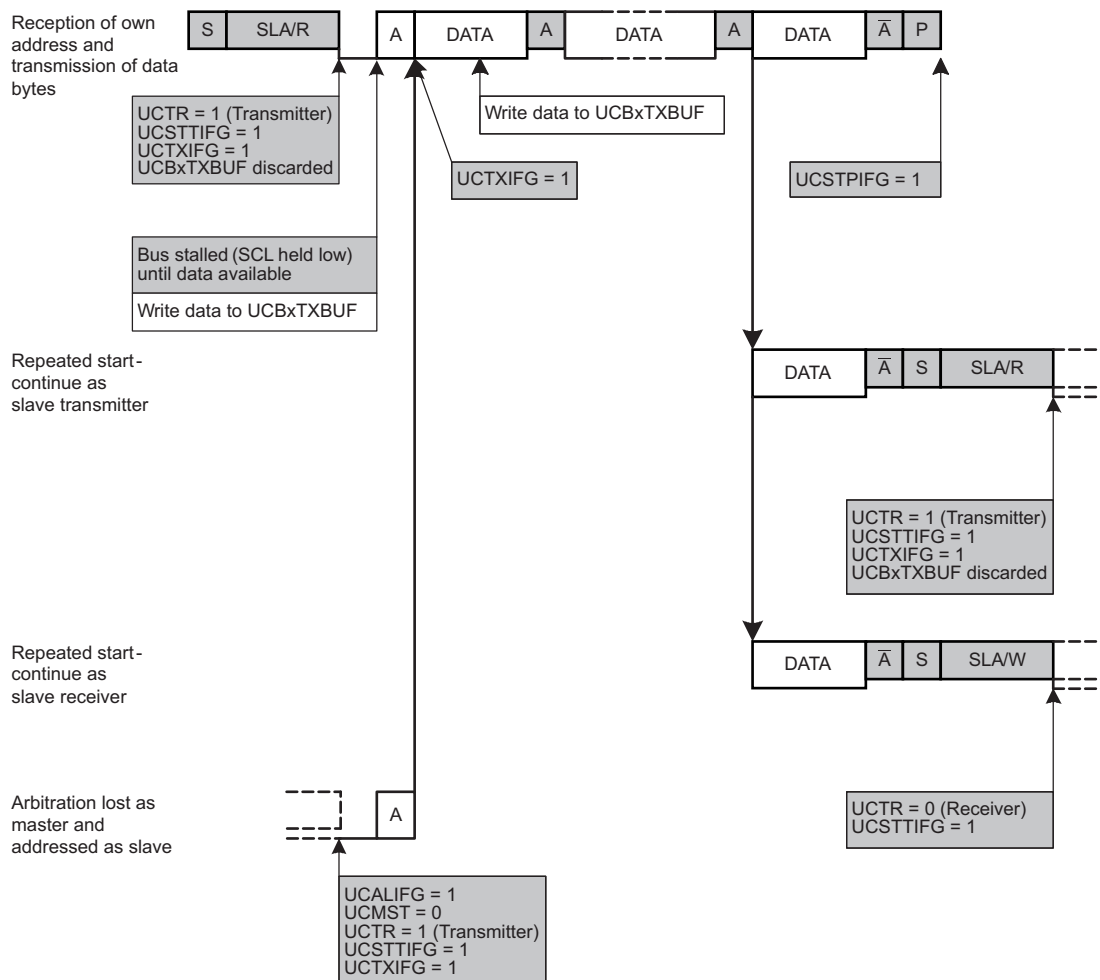


Figure 20-9. I²C Slave Transmitter Mode

20.3.5.1.2 I²C Slave Receiver Mode

Slave receiver mode is entered when the slave address transmitted by the master is identical to its own address and a cleared R/W bit is received. In slave receiver mode, serial data bits received on SDA are shifted in with the clock pulses that are generated by the master device. The slave device does not generate the clock, but it can hold SCL low if intervention of the CPU is required after a byte has been received.

If the slave receives data from the master, the eUSCI_B module is automatically configured as a receiver and UCTR is cleared. After the first data byte is received, the receive interrupt flag UCRXIFG0 is set. The eUSCI_B module automatically acknowledges the received data and can receive the next data byte.

If the previous data was not read from the receive buffer UCBxRXBUF at the end of a reception, the bus is stalled by holding SCL low. As soon as UCBxRXBUF is read, the new data is transferred into UCBxRXBUF, an acknowledge is sent to the master, and the next data can be received.

Setting the UCTXNACK bit causes a NACK to be transmitted to the master during the next acknowledgment cycle. A NACK is sent even if UCBxRXBUF is not ready to receive the latest data. If the UCTXNACK bit is set while SCL is held low, the bus is released, a NACK is transmitted immediately, and UCBxRXBUF is loaded with the last received data. Because the previous data was not read, that data is lost. To avoid loss of data, the UCBxRXBUF must be read before UCTXNACK is set.

When the master generates a STOP condition, the UCSTPIFG flag is set.

If the master generates a repeated START condition, the eUSCI_B I²C state machine returns to its address-reception state.

Figure 20-10 shows the I²C slave receiver operation.

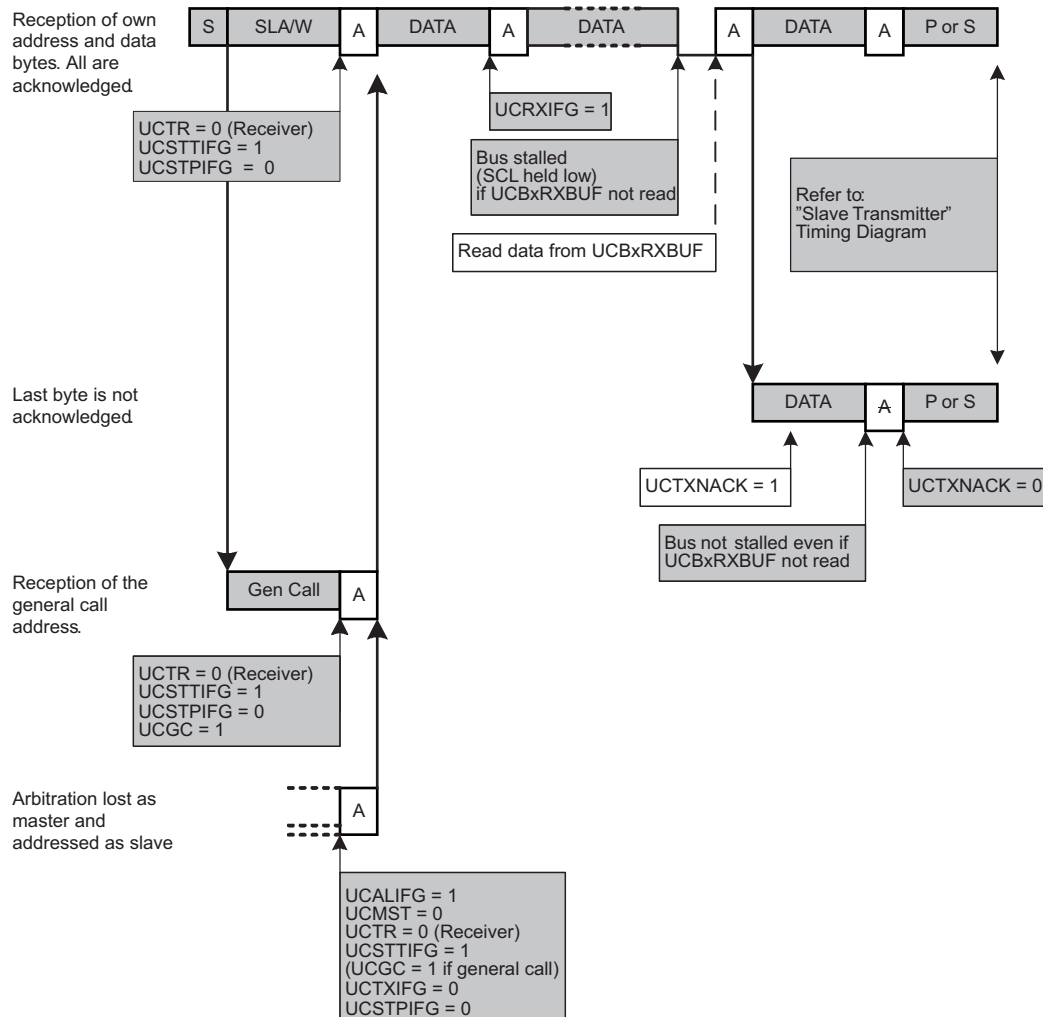


Figure 20-10. I²C Slave Receiver Mode

20.3.5.1.3 I²C Slave 10-Bit Addressing Mode

The 10-bit addressing mode is selected when UCA10 = 1 and is as shown in Figure 20-11. In 10-bit addressing mode, the slave is in receive mode after the full address is received. The eUSCI_B module indicates this by setting the UCSTTIFG flag while the UCTR bit is cleared. To switch the slave into transmitter mode, the master sends a repeated START condition together with the first byte of the address but with the R/W bit set. This sets the UCSTTIFG flag if it was previously cleared by software, and the eUSCI_B modules switches to transmitter mode with UCTR = 1.

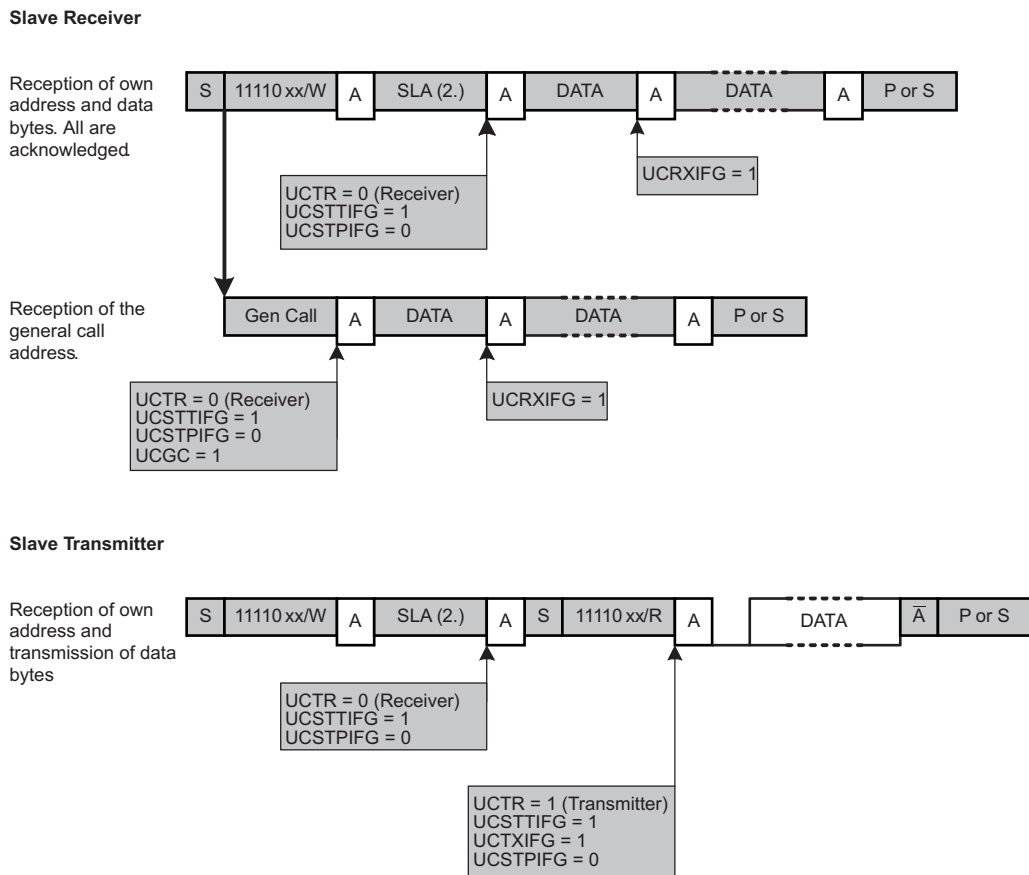


Figure 20-11. I²C Slave 10-Bit Addressing Mode

20.3.5.2 Master Mode

The eUSCI_B module is configured as an I²C master by selecting the I²C mode with UCMODEx = 11 and UCSYNC = 1 and setting the UCMST bit. When the master is part of a multi-master system, UCMM must be set and its own address must be programmed into the UCxBxI2COA0 register. Support for multiple slave addresses is explained in Section 20.3.9. When UCA10 = 0, 7-bit addressing is selected. When UCA10 = 1, 10-bit addressing is selected. The UCGCEN bit selects if the eUSCI_B module responds to a general call.

NOTE: Addresses and multi-master systems

In master mode with own-address detection enabled (UCOAEN = 1)—especially in multi-master systems—it is not allowed to specify the same address in the own address and slave address register (UCxBxI2CSA = UCxBxI2COAx). This would mean that the eUSCI_B addresses itself.

The user software must ensure that this situation does not occur. There is no hardware detection for this case, and the consequence is unpredictable behavior of the eUSCI_B.

20.3.5.2.1 I²C Master Transmitter Mode

After initialization, master transmitter mode is initiated by writing the desired slave address to the UCBxI2CSA register, selecting the size of the slave address with the UCSLA10 bit, setting UCTR for transmitter mode, and setting UCTXSTT to generate a START condition.

The eUSCI_B module waits until the bus is available, then generates the START condition, and transmits the slave address. The UCTXIFG0 bit is set when the START condition is generated and the first data to be transmitted can be written into UCBxTXBUF. **The UCTXSTT flag is cleared as soon as the complete address is sent.**

The data written into UCBxTXBUF is transmitted if arbitration is not lost during transmission of the slave address. UCTXIFG0 is set again as soon as the data is transferred from the buffer into the shift register. If there is no data loaded to UCBxTXBUF before the acknowledge cycle, the bus is held during the acknowledge cycle with SCL low until data is written into UCBxTXBUF. Data is transmitted or the bus is held, as long as:

- No automatic STOP is generated
- The UCTXSTP bit is not set
- The UCTXSTT bit is not set

Setting UCTXSTP generates a STOP condition after the next acknowledge from the slave. If UCTXSTP is set during the transmission of the slave address or while the eUSCI_B module waits for data to be written into UCBxTXBUF, a STOP condition is generated, even if no data was transmitted to the slave. **In this case, the UCSTPIFG is set.** When transmitting a single byte of data, the UCTXSTP bit must be set while the byte is being transmitted or any time after transmission begins, without writing new data into UCBxTXBUF. Otherwise, only the address is transmitted. When the data is transferred from the buffer to the shift register, UCTXIFG0 is set, indicating data transmission has begun, and the UCTXSTP bit may be set. When UCASTPx = 10 is set, the byte counter is used for STOP generation and the user does not need to set the UCTXSTP. **This is recommended when transmitting only one byte.**

Setting UCTXSTT generates a repeated START condition. In this case, UCTR may be set or cleared to configure transmitter or receiver, and a different slave address may be written into UCBxI2CSA, if desired.

If the slave does not acknowledge the transmitted data, the not-acknowledge interrupt flag UCNACKIFG is set. The master must react with either a STOP condition or a repeated START condition. If data was already written into UCBxTXBUF, it is discarded. If this data should be transmitted after a repeated START, it must be written into UCBxTXBUF again. Any set UCTXSTT or UCTXSTP is also discarded.

Figure 20-12 shows the I²C master transmitter operation.

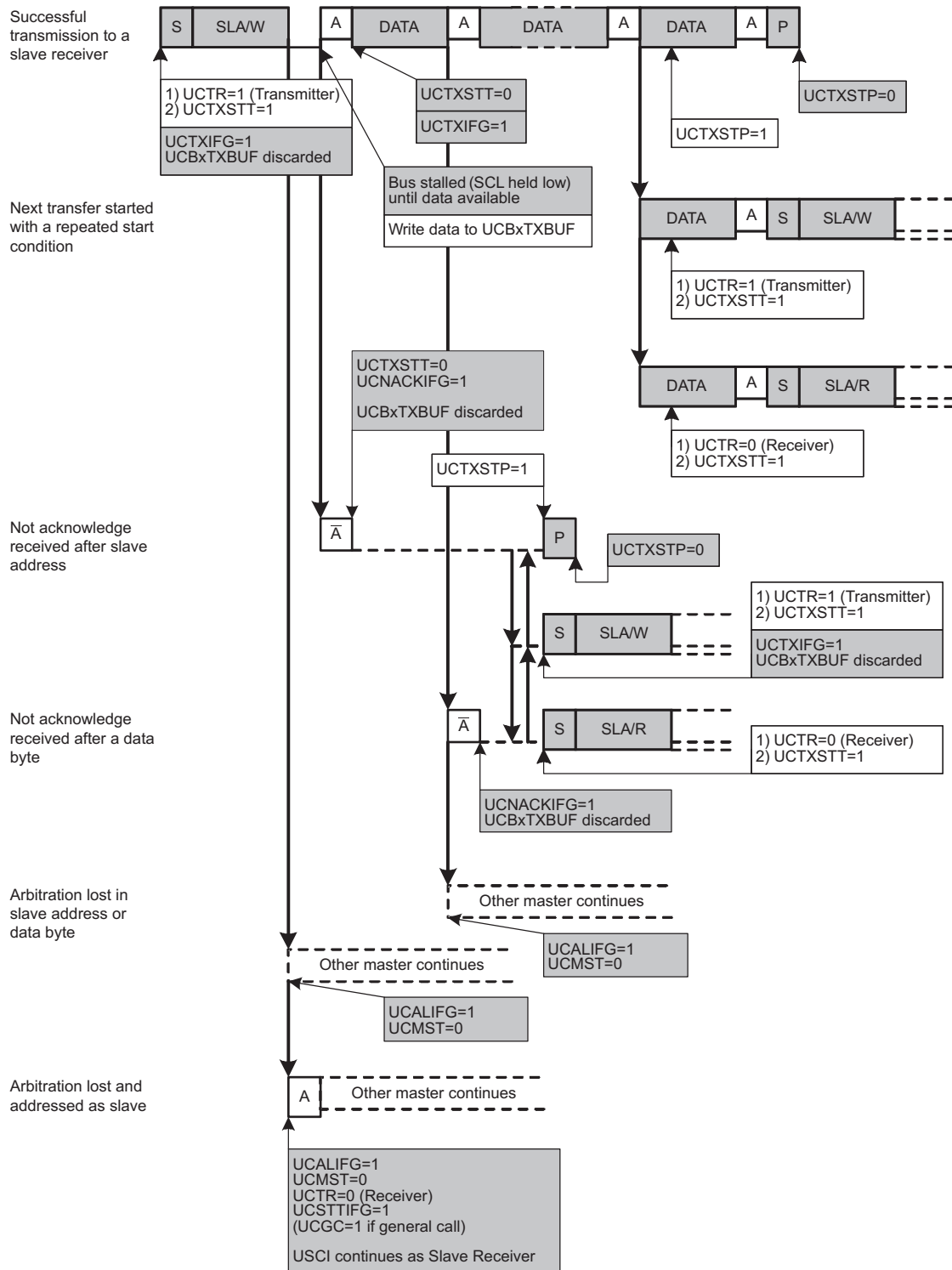


Figure 20-12. I²C Master Transmitter Mode

20.3.5.2.2 I²C Master Receiver Mode

After initialization, master receiver mode is initiated by writing the desired slave address to the UCBxI2CSA register, selecting the size of the slave address with the UCCLA10 bit, clearing UCTR for receiver mode, and setting UCTXSTT to generate a START condition.

The eUSCI_B module checks if the bus is available, generates the START condition, and transmits the slave address. The UCTXSTT flag is cleared as soon as the complete address is sent.

After the acknowledge of the address from the slave, the first data byte from the slave is received and acknowledged and the UCRXIFG flag is set. Data is received from the slave, as long as:

- No automatic STOP is generated
- The UCTXSTP bit is not set
- The UCTXSTT bit is not set

If a STOP condition was generated by the eUSCI_B module, the UCSTPIFG is set. If UCBxRXBUF is not read, the master holds the bus during reception of the last data bit and until the UCBxRXBUF is read.

If the slave does not acknowledge the transmitted address, the not-acknowledge interrupt flag UCNACKIFG is set. The master must react with either a STOP condition or a repeated START condition.

A STOP condition is either generated by the automatic STOP generation or by setting the UCTXSTP bit. The next byte received from the slave is followed by a NACK and a STOP condition. This NACK occurs immediately if the eUSCI_B module is currently waiting for UCBxRXBUF to be read.

If a RESTART is sent, UCTR may be set or cleared to configure transmitter or receiver, and a different slave address may be written into UCBxI2CSA if desired.

Figure 20-13 shows the I²C master receiver operation.

NOTE: Consecutive master transactions without repeated START

When performing multiple consecutive I²C master transactions without the repeated START feature, the current transaction must be completed before the next one is initiated. This can be done by ensuring that the transmit STOP condition flag UCTXSTP is cleared before the next I²C transaction is initiated with setting UCTXSTT = 1. Otherwise, the current transaction might be affected.

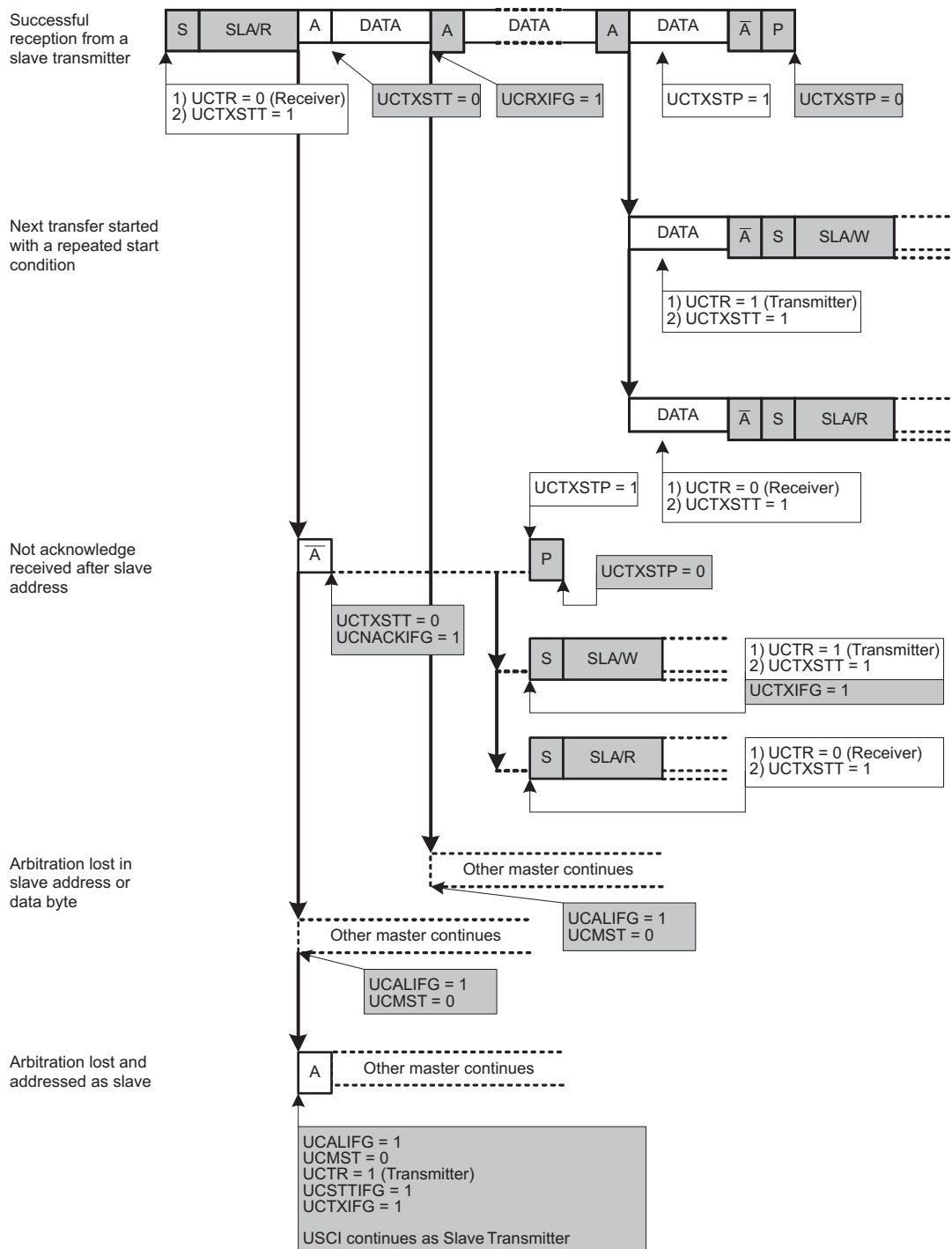


Figure 20-13. I²C Master Receiver Mode

20.3.6 Glitch Filtering

According to the I²C standard, both the SDA and the SCL line need to be glitch filtered. The eUSCI_B module provides the UCGLITx bits to configure the length of this glitch filter:

Table 20-1. Glitch Filter Length Selection Bits

UCGLITx	Corresponding Glitch Filter Length on SDA and SCL	According to I ² C Standard
00	Pulses of max 50-ns length are filtered	yes
01	Pulses of max 25-ns length are filtered.	no
10	Pulses of max 12.5-ns length are filtered.	no
11	Pulses of max 6.25-ns length are filtered.	no

20.3.7 I²C Clock Generation and Synchronization

The I²C clock SCL is provided by the master on the I²C bus. When the eUSCI_B is in master mode, BITCLK is provided by the eUSCI_B bit clock generator and the clock source is selected with the UCSSELx bits. In slave mode, the bit clock generator is not used and the UCSSELx bits are don't care.

The 16-bit value of UCBRx in register UCxBRW is the division factor of the eUSCI_B clock source, BRCLK. The maximum bit clock that can be used in single master mode is $f_{BRCLK}/4$. In multi-master mode, the maximum bit clock is $f_{BRCLK}/8$. The BITCLK frequency is given by:

$$f_{BitClock} = f_{BRCLK}/UCBRx$$

The minimum high and low periods of the generated SCL are:

$$t_{LOW,MIN} = t_{HIGH,MIN} = (UCBRx/2)/f_{BRCLK} \text{ when UCBRx is even}$$

$$t_{LOW,MIN} = t_{HIGH,MIN} = ((UCBRx - 1)/2)/f_{BRCLK} \text{ when UCBRx is odd}$$

The eUSCI_B clock source frequency and the prescaler setting UCBRx must to be chosen such that the minimum low and high period times of the I²C specification are met.

During the arbitration procedure the clocks from the different masters must be synchronized. A device that first generates a low period on SCL overrules the other devices, forcing them to start their own low periods. SCL is then held low by the device with the longest low period. The other devices must wait for SCL to be released before starting their high periods. Figure 20-16 shows the clock synchronization. This allows a slow slave to slow down a fast master.

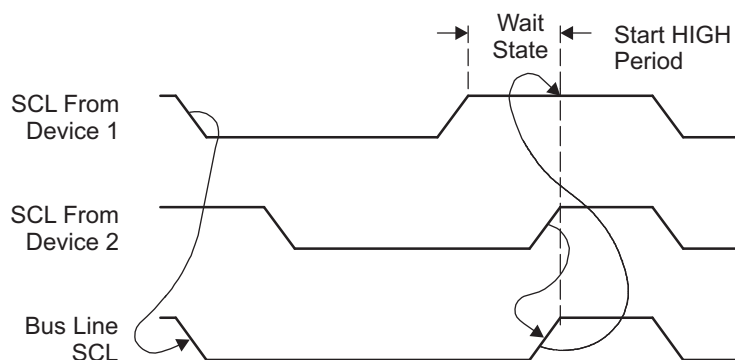


Figure 20-16. Synchronization of Two I²C Clock Generators During Arbitration

20.3.7.1 Clock Stretching

The eUSCI_B module supports clock stretching and also makes use of this feature as described in the Operation Mode sections.

The UCSCLOW bit can be used to observe if another device pulls SCL low while the eUSCI_B module already released SCL due to the following conditions:

- eUSCI_B is acting as master and a connected slave drives SCL low.

- eUSCI_B is acting as master and another master drives SCL low during arbitration.

The UCSCLLOW bit is also active if the eUSCI_B holds SCL low because it is waiting as transmitter for data being written into UCBxTXBUF or as receiver for the data being read from UCBxRXBUF. The UCSCLLOW bit might be set for a short time with each rising SCL edge because the logic observes the external SCL and compares it to the internally generated SCL.

20.3.7.2 Avoiding Clock Stretching

Even though clock stretching is part of the I²C specification, there are applications in which clock stretching should be avoided.

The clock is stretched by the eUSCI_B under the following conditions:

- The internal shift register is expecting data, but the TXIFG is still pending
- The internal shift register is full, but the RXIFG is still pending
- The arbitration lost interrupt is pending
- UCSWACK is selected and UCBxI2COA0 did cause a match

To avoid clock stretching, all of these situations for clock stretch either need to be avoided or the corresponding interrupt flags need to be processed before the actual clock stretch can occur.

Using the DMA (on devices that contain a DMA) is the most secure way to avoid clock stretching. If no DMA is available, the software must ensure that the corresponding interrupts are serviced in time before the clock is stretched.

In slave transmitter mode, the TXIFG is set only after the reception of the direction bit; therefore, there is only a short amount of time for the software to write the TXBUF before a clock stretch occurs. This situation can be remedied by using the early Transmit Interrupt (see [Section 20.3.11.2](#)).

20.3.7.3 Clock Low Time-out

The UCCLTOIFG interrupt allows the software to react if the clock is low longer than a defined time. It is possible to detect the situation, when a clock is stretched by a master or slave for a too long time. The user can then, for example, reset the eUSCI_B module by using the UCSWRST bit.

The clock low time-out feature is enabled using the UCCLTO bits. It is possible to select one of three predefined times for the clock low time-out. If the clock has been low longer than the time defined with the UCCLTO bits and the eUSCI_B was actively receiving or transmitting, the UCCLTOIFG is set and an interrupt request is generated if UCCLTOIE and GIE are set as well. The UCCLTOIFG is set only once, even if the clock is stretched a multiple of the time defined in UCCLTO.

20.3.8 Byte Counter

The eUSCI_B module supports hardware counting of the bytes received or transmitted. The counter is automatically active and counts up for each byte seen on the bus in both master and slave mode.

The byte counter is incremented at the second bit position of each byte independently of the following ACK or NACK. A START or RESTART condition resets the counter value to zero. Address bytes do not increment the counter. The byte counter is also incremented at the second bit position, if an arbitration lost occurs during the first bit of data.

20.3.8.1 Byte Counter Interrupt

If UCASTPx = 01 or 10 the UCBCNTIFG is set when the byte counter threshold value UCBxTBCNT is reached in both master- and slave-mode. Writing zero to UCBxTBCNT does not generate an interrupt.

Because the UCBCNTIFG has a lower interrupt priority than the UCBTXIFG and UCBRXIFG, TI recommends using it only for protocol control together with the DMA handling the received and transmitted bytes. Otherwise, the application must have enough processor bandwidth to ensure that the UCBCNT interrupt routine is executed in time to generate for example a RESTART.

20.3.8.2 Automatic STOP Generation

When the eUSCI_B module is configured as a master, the byte counter can be used for automatic STOP generation by setting the UCASTPx = 10. Before starting the transmission using UCTXSTT, the byte counter threshold UCBxTBCNT must be set to the number of bytes that are to be transmitted or received. After the number of bytes that are configured in UCBxTBCNT have been transmitted, the eUSCI_B automatically generates a STOP condition.

UCBxTBCNT cannot be used if the user wants to transmit the slave address only without any data. In this case, TI recommends setting UCTXSTT and UCTXSTP at the same time.

20.3.9 Multiple Slave Addresses

The eUSCI_B module supports two different ways of implementing multiple slave addresses at the same time:

- Hardware support for up to 4 different slave addresses, each with its own interrupt flag and DMA trigger
- Software support for up to 2¹⁰ different slave addresses all sharing one interrupt

20.3.9.1 Multiple Slave Address Registers

The registers UCBxI2COA0, UCBxI2COA1, UCBxI2COA2, and UCBxI2COA3 contain four slave addresses. Up to four address registers are compared against a received 7- or 10-bit address. Each slave address must be activated by setting the UCAOEN bit in the corresponding UCBxI2COAx register. Register UCBxI2COA3 has the highest priority if the address received on the bus matches more than one of the slave address registers. The priority decreases with the index number of the address register, so that UCBxI2COA0 in combination with the address mask has the lowest priority.

When one of the slave registers matches the 7- or 10-bit address seen on the bus, the address is acknowledged. In the following the corresponding receive- or transmit-interrupt flag (UCTXIFGx or UCRXIFGx) to the received address is updated. The state change interrupt flags are independent of the address comparison result. They are updated according to the bus condition.

20.3.9.2 Address Mask Register

The address mask register can be used when the eUSCI_B is configured in slave or in multiple-master mode. To activate this feature, at least one bit of the address mask in register UCBxADDMASK must be cleared.

If the received address matches the own address in UCBxI2COA0 on all bit positions that are not masked by UCBxADDMASK, the eUSCI_B module considers the received address as its own address. If UCSWACK = 0, the module sends an acknowledge automatically. If UCSWACK = 1, the user software must evaluate the received address in register UCBxADDRX after the UCSTTIFG is set. To acknowledge the received address, the software must set UCTXACK to 1.

The eUSCI_B module also automatically acknowledges a slave address that is seen on the bus if the address matches any of the enabled slave addresses defined in UCBxI2COA1 to UCBxI2COA3.

NOTE: UCSWACK and slave-transmitter

If the user selects manual acknowledge of slave addresses, TXIFG is set if the slave is addressed as a transmitter. If the software decides not to acknowledge the address, TXIFG0 must be reset.

20.3.10 Using the eUSCI_B Module in I²C Mode With Low-Power Modes

The eUSCI_B module provides automatic clock activation for use with low-power modes. When the eUSCI_B clock source is inactive because the device is in a low-power mode, the eUSCI_B module automatically activates it when needed, regardless of the control-bit settings for the clock source. The clock remains active until the eUSCI_B module returns to its idle condition. After the eUSCI_B module returns to the idle condition, control of the clock source reverts to the settings of its control bits.

In I²C slave mode, no internal clock source is required because the clock is provided by the external master. It is possible to operate the eUSCI_B in I²C slave mode while the device is in LPM4 and all internal clock sources are disabled. The receive or transmit interrupts can wake up the CPU from any low-power mode.

20.3.11 eUSCI_B Interrupts in I²C Mode

The eUSCI_B has only one interrupt vector that is shared for transmission, reception, and the state change.

Each interrupt flag has its own interrupt enable bit. When an interrupt is enabled and the GIE bit is set, the interrupt flag generates an interrupt request. DMA transfers are controlled by the UCTXIFGx and UCRXIFGx flags on devices with a DMA controller. It is possible to react on each slave address with an individual DMA channel.

All interrupt flags are not cleared automatically, but they need to be cleared together by user interactions (for example, reading the UCRXBUF clears UCRXIFGx). If the user wants to use an interrupt flag he needs to ensure that the flag has the correct state before the corresponding interrupt is enabled.

20.3.11.1 I²C Transmit Interrupt Operation

The UCTXIFG0 interrupt flag is set whenever the transmitter is able to accept a new byte. When operating as a slave with multiple slave addresses, the UCTXIFGx flags are set corresponding to which address was received before. If, for example, the slave address specified in register UCBxI2COA3 did match the address seen on the bus, the UCTXIFG3 indicates that the UCBxTXBUF is ready to accept a new byte.

When operating in master mode with automatic STOP generation (UCASTPx = 10), the UCTXIFG0 is set as many times as defined in UCBxTBCNT.

An interrupt request is generated if UCTXIE_x and GIE are also set. UCTXIFG_x is automatically reset if a write to UCBxTXBUF occurs or if the UCALIFG is cleared. UCTXIFG_x is set when:

- Master mode: UCTXSTT was set by the user
- Slave mode: own address was received (UCETXINT = 0) or START was received (UCETXINT = 1)

UCTXIE_x is reset after a PUC or when UCSWRST = 1.

20.3.11.2 Early I²C Transmit Interrupt

Setting the UCETXINT causes UCTXIFG0 to be sent out automatically when a START condition is sent and the eUSCI_B is configured as slave. In this case, it is not allowed to enable the other slave addresses UCBxI2COA1-UCBxI2COA3. This allows the software more time to handle the UCTXIFG0 compared to the normal situation, when UCTXIFG0 is sent out after the slave address match was detected. Situations where the UCTXIFG0 was set and afterward no slave address match occurred need to be handled in software. TI recommends using the byte counter to handle this.

20.3.11.3 I²C Receive Interrupt Operation

The UCRXIFG0 interrupt flag is set when a character is received and loaded into UCBxRXBUF. When operating as a slave with multiple slave addresses, the UCRXIFGx flag is set corresponding to which address was received before.

An interrupt request is generated if UCRXIE_x and GIE are also set. UCRXIFG_x and UCRXIE_x are reset after a PUC signal or when UCSWRST = 1. UCRXIFG_x is automatically reset when UCxRXBUF is read.

20.3.11.4 I²C State Change Interrupt Operation

[Table 20-2](#) describes the I²C state change interrupt flags.

Table 20-2. I²C State Change Interrupt Flags

Interrupt Flag	Interrupt Condition
UCALIFG	Arbitration lost interrupt. Arbitration can be lost when two or more transmitters start a transmission simultaneously, or when the eUSCI_B operates as master but is addressed as a slave by another master in the system. The UCALIFG flag is set when arbitration is lost. When UCALIFG is set, the UCMST bit is cleared and the I ² C controller becomes a slave.
UCNACKIFG	Not acknowledge interrupt. This flag is set when an acknowledge is expected but is not received. UCNACKIFG is used in master mode only.
UCCLTOIFG	Clock low time-out. This interrupt flag is set, if the clock is held low longer than defined by the UCCLTO bits.
UCBIT9IFG	This interrupt flag is generated each time the eUSCI_B is transferring the ninth clock cycle of a byte of data. This gives the user the ability to follow the I ² C communication in software if wanted. UCBIT9IFG is not set for address information.
UCBCNTIFG	Byte counter interrupt. This flag is set when the byte counter value reaches the value defined in UCxBTBCNT and UCASTPx = 01 or 10. This bit allows to organize following communications, especially if a RESTART will be issued.
UCSTTIFG	START condition detected interrupt. This flag is set when the I ² C module detects a START condition together with its own address ⁽¹⁾ . UCSTTIFG is used in slave mode only.
UCSTPIFG	STOP condition detected interrupt. This flag is set when the I ² C module detects a STOP condition on the bus. UCSTPIFG is used in slave and master mode.

⁽¹⁾ The address evaluation includes the address mask register if it is used.

20.3.11.5 UCxBIV, Interrupt Vector Generator

The eUSCI_B interrupt flags are prioritized and combined to source a single interrupt vector. The interrupt vector register UCxBIV is used to determine which flag requested an interrupt. The highest-priority enabled interrupt generates a number in the UCxBIV register that can be evaluated or added to the PC to automatically enter the appropriate software routine. Disabled interrupts do not affect the UCxBIV value.

Read access of the UCxBIV register automatically resets the highest-pending interrupt flag. If another interrupt flag is set, another interrupt is immediately generated after servicing the initial interrupt.

Write access of the UCxBIV register clears all pending Interrupt conditions and flags.

[Example 20-3](#) shows the recommended use of UCxBIV. The UCxBIV value is added to the PC to automatically jump to the appropriate routine. The example is given for eUSCI0_B.

Example 20-3. UCBxIV Software Example

```

#pragma vector = USCI_B0_VECTOR __interrupt void USCI_B0_ISR(void) {
    switch(__even_in_range(UCB0IV,0x1e))    {
        case 0x00:    // Vector 0: No interrupts
            break;
        case 0x02:    ... // Vector 2: ALIFG
            break;
        case 0x04:    ... // Vector 4: NACKIFG
            break;
        case 0x06:    ... // Vector 6: STTIFG
            break;
        case 0x08:    ... // Vector 8: STPIFG
            break;
        case 0x0a:    ... // Vector 10: RXIFG3
            break;
        case 0x0c:    ... // Vector 12: TXIFG3
            break;
        case 0x0e:    ... // Vector 14: RXIFG2
            break;
        case 0x10:    ... // Vector 16: TXIFG2
            break;
        case 0x12:    ... // Vector 18: RXIFG1
            break;
        case 0x14:    ... // Vector 20: TXIFG1
            break;
        case 0x16:    ... // Vector 22: RXIFG0
            break;
        case 0x18:    ... // Vector 24: TXIFG0
            break;
        case 0x1a:    ... // Vector 26: BCNTIFG
            break;
        case 0x1c:    ... // Vector 28: clock low time-out
            break;
        case 0x1e:    ... // Vector 30: 9th bit
            break;
        default:    break;
    }
}

```

20.4 eUSCI_B I2C Registers

The eUSCI_B registers applicable in I²C mode and their address offsets are listed in [Table 20-3](#). The base address can be found in the device-specific data sheet.

Table 20-3. eUSCI_B Registers

Offset	Acronym	Register Name	Type	Access	Reset	Section
00h	UCBxCTLW0	eUSCI_Bx Control Word 0	Read/write	Word	01C1h	Section 20.4.1
00h	UCBxCTL1	eUSCI_Bx Control 1	Read/write	Byte	C1h	
01h	UCBxCTL0	eUSCI_Bx Control 0	Read/write	Byte	01h	
02h	UCBxCTLW1	eUSCI_Bx Control Word 1	Read/write	Word	0000h	Section 20.4.2
06h	UCBxBRW	eUSCI_Bx Bit Rate Control Word	Read/write	Word	0000h	Section 20.4.3
06h	UCBxBR0	eUSCI_Bx Bit Rate Control 0	Read/write	Byte	00h	
07h	UCBxBR1	eUSCI_Bx Bit Rate Control 1	Read/write	Byte	00h	
08h	UCBxSTATW	eUSCI_Bx Status Word	Read	Word	0000h	Section 20.4.4
08h	UCBxSTAT	eUSCI_Bx Status	Read	Byte	00h	
09h	UCBxBCNT	eUSCI_Bx Byte Counter Register	Read	Byte	00h	
0Ah	UCBxTBCNT	eUSCI_Bx Byte Counter Threshold Register	Read/Write	Word	00h	Section 20.4.5
0Ch	UCBxRXBUF	eUSCI_Bx Receive Buffer	Read/write	Word	00h	Section 20.4.6
0Eh	UCBxTXBUF	eUSCI_Bx Transmit Buffer	Read/write	Word	00h	Section 20.4.7
14h	UCBxI2COA0	eUSCI_Bx I2C Own Address 0	Read/write	Word	0000h	Section 20.4.8
16h	UCBxI2COA1	eUSCI_Bx I2C Own Address 1	Read/write	Word	0000h	Section 20.4.9
18h	UCBxI2COA2	eUSCI_Bx I2C Own Address 2	Read/write	Word	0000h	Section 20.4.10
1Ah	UCBxI2COA3	eUSCI_Bx I2C Own Address 3	Read/write	Word	0000h	Section 20.4.11
1Ch	UCBxADDRX	eUSCI_Bx Received Address Register	Read	Word		Section 20.4.12
1Eh	UCBxADDMASK	eUSCI_Bx Address Mask Register	Read/write	Word	03FFh	Section 20.4.13
20h	UCBxI2CSA	eUSCI_Bx I2C Slave Address	Read/write	Word	0000h	Section 20.4.14
2Ah	UCBxIE	eUSCI_Bx Interrupt Enable	Read/write	Word	0000h	Section 20.4.15
2Ch	UCBxIFG	eUSCI_Bx Interrupt Flag	Read/write	Word	0002h	Section 20.4.16
2Eh	UCBxIV	eUSCI_Bx Interrupt Vector	Read	Word	0000h	Section 20.4.17

20.4.1 UCBxCTLW0 Register

eUSCI_Bx Control Word Register 0

Figure 20-17. UCBxCTLW0 Register

15	14	13	12	11	10	9	8
UCA10	UCSLA10	UCMM	Reserved	UCMST	UCMODEx		UCSYNC
rw-0	rw-0	rw-0	r0	rw-0	rw-0	rw-0	r1
7	6	5	4	3	2	1	0
UCSSELx		UCTXACK	UCTR	UCTXNACK	UCTXSTP	UCTXSTT	UCSWRST
rw-1	rw-1	rw-0	rw-0	rw-0	rw-0	rw-0	rw-1

Can be modified only when UCSWRST = 1.

Table 20-4. UCBxCTLW0 Register Description

Bit	Field	Type	Reset	Description
15	UCA10	RW	0h	Own addressing mode select. Modify only when UCSWRST = 1. 0b = Own address is a 7-bit address. 1b = Own address is a 10-bit address.
14	UCSLA10	RW	0h	Slave addressing mode select 0b = Address slave with 7-bit address 1b = Address slave with 10-bit address
13	UCMM	RW	0h	Multi-master environment select. Modify only when UCSWRST = 1. 0b = Single master environment. There is no other master in the system. The address compare unit is disabled. 1b = Multi-master environment
12	Reserved	R	0h	Reserved
11	UCMST	RW	0h	Master mode select. When a master loses arbitration in a multi-master environment (UCMM = 1), the UCMST bit is automatically cleared and the module acts as slave. 0b = Slave mode 1b = Master mode
10-9	UCMODEx	RW	0h	eUSCI_B mode. The UCMODEx bits select the synchronous mode when UCSYNC = 1. Modify only when UCSWRST = 1. 00b = 3-pin SPI 01b = 4-pin SPI (master or slave enabled if STE = 1) 10b = 4-pin SPI (master or slave enabled if STE = 0) 11b = I2C mode
8	UCSYNC	RW	1h	Synchronous mode enable. For eUSCI_B always read and write as 1.
7-6	UCSSELx	RW	3h	eUSCI_B clock source select. These bits select the BRCLK source clock. These bits are ignored in slave mode. Modify only when UCSWRST = 1. 00b = UCLKI 01b = ACLK 10b = SMCLK 11b = SMCLK
5	UCTXACK	RW	0h	Transmit ACK condition in slave mode with enabled address mask register. After the UCSTTIFG has been set, the user needs to set or reset the UCTXACK flag to continue with the I2C protocol. The clock is stretched until the UCBxCTL1 register has been written. This bit is cleared automatically after the ACK has been send. 0b = Do not acknowledge the slave address 1b = Acknowledge the slave address

Table 20-4. UCBxCTLW0 Register Description (continued)

Bit	Field	Type	Reset	Description
4	UCTR	RW	0h	Transmitter/receiver 0b = Receiver 1b = Transmitter
3	UCTXNACK	RW	0h	Transmit a NACK. UCTXNACK is automatically cleared after a NACK is transmitted. Only for slave receiver mode. 0b = Acknowledge normally 1b = Generate NACK
2	UCTXSTP	RW	0h	Transmit STOP condition in master mode. Ignored in slave mode. In master receiver mode, the STOP condition is preceded by a NACK. UCTXSTP is automatically cleared after STOP is generated. This bit is a don't care, if automatic UCASTPx is different from 01 or 10. 0b = No STOP generated 1b = Generate STOP
1	UCTXSTT	RW	0h	Transmit START condition in master mode. Ignored in slave mode. In master receiver mode, a repeated START condition is preceded by a NACK. UCTXSTT is automatically cleared after START condition and address information is transmitted. Ignored in slave mode. 0b = Do not generate START condition 1b = Generate START condition
0	UCSWRST	RW	1h	Software reset enable. 0b = Disabled. eUSCI_B released for operation. 1b = Enabled. eUSCI_B logic held in reset state.

20.4.2 UCBxCTLW1 Register

eUSCI_Bx Control Word Register 1

Figure 20-18. UCBxCTLW1 Register

15	14	13	12	11	10	9	8
Reserved							UCETXINT
r0	r0	r0	r0	r0	r0	r0	rw-0
7	6	5	4	3	2	1	0
UCCLTO		UCSTPNACK	UCSWACK	UCASTPx		UCGLITx	
rw-0	rw-0	rw-0	rw-0	rw-0	rw-0	rw-0	rw-0

Can be modified only when UCSWRST = 1.

Table 20-5. UCBxCTLW1 Register Description

Bit	Field	Type	Reset	Description
15-9	Reserved	R	0h	Reserved
8	UCETXINT	RW	0h	Early UCTXIFG0. Only in slave mode. When this bit is set, the slave addresses defined in UCxI2COA1 to UCxI2COA3 must be disabled. Modify only when UCSWRST = 1. 0b = UCTXIFGx is set after an address match with UCxI2COAx and the direction bit indicating slave transmit 1b = UCTXIFG0 is set for each START condition
7-6	UCCLTO	RW	0h	Clock low time-out select. Modify only when UCSWRST = 1. 00b = Disable clock low time-out counter 01b = 135000 MODCLK cycles (approximately 28 ms) 10b = 150000 MODCLK cycles (approximately 31 ms) 11b = 165000 MODCLK cycles (approximately 34 ms)
5	UCSTPNACK	RW	0h	The UCSTPNACK bit allows to make the eUSCI_B master acknowledge the last byte in master receiver mode as well. This does not conform to the I2C specification and should only be used for slaves that automatically release the SDA after a fixed packet length. Modify only when UCSWRST = 1. 0b = Send a not acknowledge before the STOP condition as a master receiver (conform to I2C standard) 1b = All bytes are acknowledged by the eUSCI_B when configured as master receiver
4	UCSWACK	RW	0h	This bit selects whether sending an ACK of the address is triggered by the eUSCI_B module or is controlled by software. 0b = The address acknowledge of the slave is controlled by the eUSCI_B module 1b = The user needs to trigger the sending of the address ACK by issuing UCTXACK
3-2	UCASTPx	RW	0h	Automatic STOP condition generation. In slave mode, only settings 00b and 01b are available. Modify only when UCSWRST = 1. 00b = No automatic STOP generation. The STOP condition is generated after the user sets the UCTXSTP bit. The value in UCBxTBCNT is a don't care. 01b = UCBCNTIFG is set with the byte counter reaches the threshold defined in UCBxTBCNT 10b = A STOP condition is generated automatically after the byte counter value reached UCBxTBCNT. UCBCNTIFG is set with the byte counter reaching the threshold. 11b = Reserved

Table 20-5. UCBxCTLW1 Register Description (continued)

Bit	Field	Type	Reset	Description
1-0	UCGLITx	RW	0h	Deglitch time 00b = 50 ns 01b = 25 ns 10b = 12.5 ns 11b = 6.25 ns

20.4.3 UCBxBRW Register

eUSCI_Bx Bit Rate Control Word Register

Figure 20-19. UCBxBRW Register

15	14	13	12	11	10	9	8
UCBRx							
rw	rw	rw	rw	rw	rw	rw	rw
7	6	5	4	3	2	1	0
UCBRx							
rw	rw	rw	rw	rw	rw	rw	rw

Can be modified only when UCSWRST = 1.

Table 20-6. UCBxBRW Register Description

Bit	Field	Type	Reset	Description
15-0	UCBRx	RW	0h	Bit clock prescaler. Modify only when UCSWRST = 1.

20.4.4 UCBxSTATW

eUSCI_Bx Status Word Register

Figure 20-20. UCBxSTATW Register

15	14	13	12	11	10	9	8
UCBCNTx							
r-0	r-0	r-0	r-0	r-0	r-0	r-0	r-0
7	6	5	4	3	2	1	0
Reserved	UCSCLLOW	UCGC	UCBBUSY	Reserved			
r0	r-0	r-0	r-0	r-0	r0	r0	r0

Table 20-7. UCBxSTATW Register Description

Bit	Field	Type	Reset	Description
15-8	UCBCNTx	R	0h	Hardware byte counter value. Reading this register returns the number of bytes received or transmitted on the I2C-Bus since the last START or RESTART. There is no synchronization of this register done. When reading UCBxBCNT during the first bit position, a faulty read back can occur.
7	Reserved	R	0h	Reserved
6	UCSCLLOW	R	0h	SCL low 0b = SCL is not held low 1b = SCL is held low
5	UCGC	R	0h	General call address received. UCGC is automatically cleared when a START condition is received. 0b = No general call address received 1b = General call address received
4	UCBBUSY	R	0h	Bus busy 0b = Bus inactive 1b = Bus busy
3-0	Reserved	R	0h	Reserved

20.4.5 UCBxTBCNT Register

eUSCI_Bx Byte Counter Threshold Register

Figure 20-21. UCBxTBCNT Register

15	14	13	12	11	10	9	8
Reserved							
r0	r0	r0	r0	r0	r0	r0	r0
7	6	5	4	3	2	1	0
UCTBCNTx							
rw-0	rw-0	rw-0	rw-0	rw-0	rw-0	rw-0	rw-0

Can be modified only when UCSWRST = 1.

Table 20-8. UCBxTBCNT Register Description

Bit	Field	Type	Reset	Description
15-8	Reserved	R	0h	Reserved
7-0	UCTBCNTx	RW	0h	The byte counter threshold value is used to set the number of I2C data bytes after which the automatic STOP or the UCSTPIFG should occur. This value is evaluated only if UCASTPx is different from 00. Modify only when UCSWRST = 1.

20.4.6 UCBxRXBUF Register

eUSCI_Bx Receive Buffer Register

Figure 20-22. UCBxRXBUF Register

15	14	13	12	11	10	9	8
Reserved							
r0	r0	r0	r0	r0	r0	r0	r0
7	6	5	4	3	2	1	0
UCRXBUFx							
r	r	r	r	r	r	r	r

Table 20-9. UCBxRXBUF Register Description

Bit	Field	Type	Reset	Description
15-8	Reserved	R	0h	Reserved
7-0	UCRXBUFx	R	0h	The receive-data buffer is user accessible and contains the last received character from the receive shift register. Reading UCBxRXBUF resets the UCRXIFGx flags.

20.4.7 UCBxTXBUF

eUSCI_Bx Transmit Buffer Register

Figure 20-23. UCBxTXBUF Register

15	14	13	12	11	10	9	8
Reserved							
r0	r0	r0	r0	r0	r0	r0	r0
7	6	5	4	3	2	1	0
UCTXBUFx							
rw	rw	rw	rw	rw	rw	rw	rw

Table 20-10. UCBxTXBUF Register Description

Bit	Field	Type	Reset	Description
15-8	Reserved	R	0h	Reserved
7-0	UCTXBUFx	RW	0h	The transmit data buffer is user accessible and holds the data waiting to be moved into the transmit shift register and transmitted. Writing to the transmit data buffer clears the UCTXIFGx flags.

20.4.8 UCBxI2COA0 Register

eUSCI_Bx I2C Own Address 0 Register

Figure 20-24. UCBxI2COA0 Register

15	14	13	12	11	10	9	8
UCGCEN	Reserved				UCOAEN	I2COA0	
rw-0	r0	r0	r0	r0	rw-0	rw-0	rw-0
7	6	5	4	3	2	1	0
I2COA0							
rw-0	rw-0	rw-0	rw-0	rw-0	rw-0	rw-0	rw-0

Can be modified only when UCSWRST = 1.

Table 20-11. UCBxI2COA0 Register Description

Bit	Field	Type	Reset	Description
15	UCGCEN	RW	0h	General call response enable. This bit is only available in UCBxI2COA0. Modify only when UCSWRST = 1. 0b = Do not respond to a general call 1b = Respond to a general call
14-11	Reserved	R	0h	Reserved
10	UCOAEN	RW	0h	Own Address enable register. With this register it can be selected if the I2C slave-address related to this register UCBxI2COA0 is evaluated or not. Modify only when UCSWRST = 1. 0b = The slave address defined in I2COA0 is disabled 1b = The slave address defined in I2COA0 is enabled
9-0	I2COAx	RW	0h	I2C own address. The I2COA0 bits contain the local address of the eUSCIx_B I2C controller. The address is right justified. In 7-bit addressing mode, bit 6 is the MSB and bits 9-7 are ignored. In 10-bit addressing mode, bit 9 is the MSB. Modify only when UCSWRST = 1.

20.4.9 UCBxI2COA1 Register

eUSCI_Bx I2C Own Address 1 Register

Figure 20-25. UCBxI2COA1 Register

15	14	13	12	11	10	9	8
Reserved					UCOAEN	I2COA1	
rw-0	r0	r0	r0	r0	rw-0	rw-0	rw-0
7	6	5	4	3	2	1	0
I2COA1							
rw-0	rw-0	rw-0	rw-0	rw-0	rw-0	rw-0	rw-0

Can be modified only when UCSWRST = 1.

Table 20-12. UCBxI2COA1 Register Description

Bit	Field	Type	Reset	Description
15-11	Reserved	R	0h	Reserved
10	UCOAEN	RW	0h	Own Address enable register. With this register it can be selected if the I2C slave-address related to this register UCBxI2COA1 is evaluated or not. Modify only when UCSWRST = 1. 0b = The slave address defined in I2COA1 is disabled 1b = The slave address defined in I2COA1 is enabled
9-0	I2COA1	RW	0h	I2C own address. The I2COAx bits contain the local address of the eUSCIx_B I2C controller. The address is right justified. In 7-bit addressing mode, bit 6 is the MSB and bits 9-7 are ignored. In 10-bit addressing mode, bit 9 is the MSB. Modify only when UCSWRST = 1.

20.4.10 UCBxI2COA2 Register

eUSCI_Bx I2C Own Address 2 Register

Figure 20-26. UCBxI2COA2 Register

15	14	13	12	11	10	9	8
Reserved					UCOAEN	I2COA2	
rw-0	r0	r0	r0	r0	rw-0	rw-0	rw-0
7	6	5	4	3	2	1	0
I2COA2							
rw-0	rw-0	rw-0	rw-0	rw-0	rw-0	rw-0	rw-0

Can be modified only when UCSWRST = 1.

Table 20-13. UCBxI2COA2 Register Description

Bit	Field	Type	Reset	Description
15-11	Reserved	R	0h	Reserved
10	UCOAEN	RW	0h	Own Address enable register. With this register it can be selected if the I2C slave-address related to this register UCBxI2COA2 is evaluated or not. Modify only when UCSWRST = 1. 0b = The slave address defined in I2COA2 is disabled 1b = The slave address defined in I2COA2 is enabled
9-0	I2COA2	RW	0h	I2C own address. The I2COAx bits contain the local address of the eUSCIx_B I2C controller. The address is right justified. In 7-bit addressing mode, bit 6 is the MSB and bits 9-7 are ignored. In 10-bit addressing mode, bit 9 is the MSB. Modify only when UCSWRST = 1.

20.4.11 UCBxI2COA3 Register

eUSCI_Bx I2C Own Address 3 Register

Figure 20-27. UCBxI2COA3 Register

15	14	13	12	11	10	9	8
Reserved					UCOAEN	I2COA3	
rw-0	r0	r0	r0	r0	rw-0	rw-0	rw-0
7	6	5	4	3	2	1	0
I2COA3							
rw-0	rw-0	rw-0	rw-0	rw-0	rw-0	rw-0	rw-0

Can be modified only when UCSWRST = 1.

Table 20-14. UCBxI2COA3 Register Description

Bit	Field	Type	Reset	Description
15-11	Reserved	R	0h	Reserved
10	UCOAEN	RW	0h	Own Address enable register. With this register it can be selected if the I2C slave-address related to this register UCBxI2COA3 is evaluated or not. Modify only when UCSWRST = 1. 0b = The slave address defined in I2COA3 is disabled 1b = The slave address defined in I2COA3 is enabled
9-0	I2COA3	RW	0h	I2C own address. The I2COA3 bits contain the local address of the eUSCIx_B I2C controller. The address is right justified. In 7-bit addressing mode, bit 6 is the MSB and bits 9-7 are ignored. In 10-bit addressing mode, bit 9 is the MSB. Modify only when UCSWRST = 1.

20.4.12 UCBxADDRX Register

eUSCI_Bx I2C Received Address Register

Figure 20-28. UCBxADDRX Register

15	14	13	12	11	10	9	8
Reserved					ADDRXx		
r-0	r0	r0	r0	r0	r0	r-0	r-0
7	6	5	4	3	2	1	0
ADDRXx							
r-0	r-0	r-0	r-0	r-0	r-0	r-0	r-0

Table 20-15. UCBxADDRX Register Description

Bit	Field	Type	Reset	Description
15-10	Reserved	R	0h	Reserved
9-0	ADDRXx	R	0h	Received Address Register. This register contains the last received slave address on the bus. Using this register and the address mask register it is possible to react on more than one slave address using one eUSCI_B module.

20.4.13 UCBxADDMASK Register

eUSCI_Bx I2C Address Mask Register

Figure 20-29. UCBxADDMASK Register

15	14	13	12	11	10	9	8
Reserved						ADDMASKx	
r-0	r0	r0	r0	r0	r0	rw-1	rw-1
7	6	5	4	3	2	1	0
ADDMASKx							
rw-1	rw-1	rw-1	rw-1	rw-1	rw-1	rw-1	rw-1

Can be modified only when UCSWRST = 1.

Table 20-16. UCBxADDMASK Register Description

Bit	Field	Type	Reset	Description
15-10	Reserved	R	0h	Reserved
9-0	ADDMASKx	RW	3FFh	Address Mask Register. By clearing the corresponding bit of the own address, this bit is a don't care when comparing the address on the bus to the own address. Using this method, it is possible to react on more than one slave address. When all bits of ADDMASKx are set, the address mask feature is deactivated. Modify only when UCSWRST = 1.

20.4.14 UCBxI2CSA Register

eUSCI_Bx I2C Slave Address Register

Figure 20-30. UCBxI2CSA Register

15	14	13	12	11	10	9	8
Reserved						I2CSAx	
r-0	r0	r0	r0	r0	r0	rw-0	rw-0
7	6	5	4	3	2	1	0
I2CSAx							
rw-0	rw-0	rw-0	rw-0	rw-0	rw-0	rw-0	rw-0

Table 20-17. UCBxI2CSA Register Description

Bit	Field	Type	Reset	Description
15-10	Reserved	R	0h	Reserved
9-0	I2CSAx	RW	0h	I2C slave address. The I2CSAx bits contain the slave address of the external device to be addressed by the eUSCIx_B module. It is only used in master mode. The address is right justified. In 7-bit slave addressing mode, bit 6 is the MSB and bits 9-7 are ignored. In 10-bit slave addressing mode, bit 9 is the MSB.

20.4.15 UCBxIE Register

eUSCI_Bx I2C Interrupt Enable Register

Figure 20-31. UCBxIE Register

15	14	13	12	11	10	9	8
Reserved	UCBIT9IE	UCTXIE3	UCRXIE3	UCTXIE2	UCRXIE2	UCTXIE1	UCRXIE1
r0	rw-0	rw-0	rw-0	rw-0	rw-0	rw-0	rw-0
7	6	5	4	3	2	1	0
UCCLTOIE	UCBCNTIE	UCNACKIE	UCALIE	UCSTPIE	UCSTTIE	UCTXIE0	UCRXIE0
rw-0	rw-0	rw-0	rw-0	rw-0	rw-0	rw-0	rw-0

Table 20-18. UCBxIE Register Description

Bit	Field	Type	Reset	Description
15	Reserved	R	0h	Reserved
14	UCBIT9IE	RW	0h	Bit position 9 interrupt enable 0b = Interrupt disabled 1b = Interrupt enabled
13	UCTXIE3	RW	0h	Transmit interrupt enable 3 0b = Interrupt disabled 1b = Interrupt enabled
12	UCRXIE3	RW	0h	Receive interrupt enable 3 0b = Interrupt disabled 1b = Interrupt enabled
11	UCTXIE2	RW	0h	Transmit interrupt enable 2 0b = Interrupt disabled 1b = Interrupt enabled
10	UCRXIE2	RW	0h	Receive interrupt enable 2 0b = Interrupt disabled 1b = Interrupt enabled
9	UCTXIE1	RW	0h	Transmit interrupt enable 1 0b = Interrupt disabled 1b = Interrupt enabled
8	UCRXIE1	RW	0h	Receive interrupt enable 1 0b = Interrupt disabled 1b = Interrupt enabled
7	UCCLTOIE	RW	0h	Clock low time-out interrupt enable. 0b = Interrupt disabled 1b = Interrupt enabled
6	UCBCNTIE	RW	0h	Byte counter interrupt enable. 0b = Interrupt disabled 1b = Interrupt enabled
5	UCNACKIE	RW	0h	Not-acknowledge interrupt enable 0b = Interrupt disabled 1b = Interrupt enabled
4	UCALIE	RW	0h	Arbitration lost interrupt enable 0b = Interrupt disabled 1b = Interrupt enabled
3	UCSTPIE	RW	0h	STOP condition interrupt enable 0b = Interrupt disabled 1b = Interrupt enabled

Table 20-18. UCBxIE Register Description (continued)

Bit	Field	Type	Reset	Description
2	UCSTTIE	RW	0h	START condition interrupt enable 0b = Interrupt disabled 1b = Interrupt enabled
1	UCTXIE0	RW	0h	Transmit interrupt enable 0 0b = Interrupt disabled 1b = Interrupt enabled
0	UCRXIE0	RW	0h	Receive interrupt enable 0 0b = Interrupt disabled 1b = Interrupt enabled

20.4.16 UCBxIFG Register

eUSCI_Bx I2C Interrupt Flag Register

Figure 20-32. UCBxIFG Register

15	14	13	12	11	10	9	8
Reserved	UCBIT9IFG	UCTXIFG3	UCRXIFG3	UCTXIFG2	UCRXIFG2	UCTXIFG1	UCRXIFG1
r0	rw-0	rw-0	rw-0	rw-0	rw-0	rw-0	rw-0
7	6	5	4	3	2	1	0
UCCLTOIFG	UCBCNTIFG	UCNACKIFG	UCALIFG	UCSTPIFG	UCSTTIFG	UCTXIFG0	UCRXIFG0
rw-0	rw-0	rw-0	rw-0	rw-0	rw-0	rw-1	rw-0

Table 20-19. UCBxIFG Register Description

Bit	Field	Type	Reset	Description
15	Reserved	R	0h	Reserved
14	UCBIT9IFG	RW	0h	Bit position 9 interrupt flag 0b = No interrupt pending 1b = Interrupt pending
13	UCTXIFG3	RW	0h	eUSCI_B transmit interrupt flag 3. UCTXIFG3 is set when UCBxTXBUF is empty in slave mode, if the slave address defined in UCBxI2COA3 was on the bus in the same frame. 0b = No interrupt pending 1b = Interrupt pending
12	UCRXIFG3	RW	0h	Receive interrupt flag 3. UCRXIFG3 is set when UCBxRXBUF has received a complete byte in slave mode and if the slave address defined in UCBxI2COA3 was on the bus in the same frame. 0b = No interrupt pending 1b = Interrupt pending
11	UCTXIFG2	RW	0h	eUSCI_B transmit interrupt flag 2. UCTXIFG2 is set when UCBxTXBUF is empty in slave mode, if the slave address defined in UCBxI2COA2 was on the bus in the same frame. 0b = No interrupt pending 1b = Interrupt pending
10	UCRXIFG2	RW	0h	Receive interrupt flag 2. UCRXIFG2 is set when UCBxRXBUF has received a complete byte in slave mode and if the slave address defined in UCBxI2COA2 was on the bus in the same frame. 0b = No interrupt pending 1b = Interrupt pending
9	UCTXIFG1	RW	0h	eUSCI_B transmit interrupt flag 1. UCTXIFG1 is set when UCBxTXBUF is empty in slave mode, if the slave address defined in UCBxI2COA1 was on the bus in the same frame. 0b = No interrupt pending 1b = Interrupt pending
8	UCRXIFG1	RW	0h	Receive interrupt flag 1. UCRXIFG1 is set when UCBxRXBUF has received a complete byte in slave mode and if the slave address defined in UCBxI2COA1 was on the bus in the same frame. 0b = No interrupt pending 1b = Interrupt pending
7	UCCLTOIFG	RW	0h	Clock low time-out interrupt flag 0b = No interrupt pending 1b = Interrupt pending
6	UCBCNTIFG	RW	0h	Byte counter interrupt flag. When using this interrupt the user needs to ensure enough processing bandwidth (see the Byte Counter Interrupt section). 0b = No interrupt pending 1b = Interrupt pending

Table 20-19. UCBxIFG Register Description (continued)

Bit	Field	Type	Reset	Description
5	UCNACKIFG	RW	0h	Not-acknowledge received interrupt flag. This flag only is updated when operating in master mode. 0b = No interrupt pending 1b = Interrupt pending
4	UCALIFG	RW	0h	Arbitration lost interrupt flag 0b = No interrupt pending 1b = Interrupt pending
3	UCSTPIFG	RW	0h	STOP condition interrupt flag 0b = No interrupt pending 1b = Interrupt pending
2	UCSTTIFG	RW	0h	START condition interrupt flag 0b = No interrupt pending 1b = Interrupt pending
1	UCTXIFG0	RW	0h	eUSCI_B transmit interrupt flag 0. UCTXIFG0 is set when UCBxTXBUF is empty in master mode or in slave mode, if the slave address defined in UCBxI2COA0 was on the bus in the same frame. 0b = No interrupt pending 1b = Interrupt pending
0	UCRXIFG0	RW	0h	eUSCI_B receive interrupt flag 0. UCRXIFG0 is set when UCBxRXBUF has received a complete character in master mode or in slave mode, if the slave address defined in UCBxI2COA0 was on the bus in the same frame. 0b = No interrupt pending 1b = Interrupt pending

20.4.17 UCBxIV Register

eUSCI_Bx Interrupt Vector Register

Figure 20-33. UCBxIV Register

15	14	13	12	11	10	9	8
UCIVx							
r0	r0	r0	r0	r0	r0	r0	r0
7	6	5	4	3	2	1	0
UCIVx							
r0	r0	r0	r0	r-0	r-0	r-0	r0

Table 20-20. UCBxIV Register Description

Bit	Field	Type	Reset	Description
15-0	UCIVx	R	0h	eUSCI_B interrupt vector value. It generates an value that can be used as address offset for fast interrupt service routine handling. Writing to this register clears all pending interrupt flags. 00h = No interrupt pending 02h = Interrupt Source: Arbitration lost; Interrupt Flag: UCALIFG; Interrupt Priority: Highest 04h = Interrupt Source: Not acknowledgment; Interrupt Flag: UCNACKIFG 06h = Interrupt Source: Start condition received; Interrupt Flag: UCSTTIFG 08h = Interrupt Source: Stop condition received; Interrupt Flag: UCSTPIFG 0Ah = Interrupt Source: Slave 3 Data received; Interrupt Flag: UCRXIFG3 0Ch = Interrupt Source: Slave 3 Transmit buffer empty; Interrupt Flag: UCTXIFG3 0Eh = Interrupt Source: Slave 2 Data received; Interrupt Flag: UCRXIFG2 10h = Interrupt Source: Slave 2 Transmit buffer empty; Interrupt Flag: UCTXIFG2 12h = Interrupt Source: Slave 1 Data received; Interrupt Flag: UCRXIFG1 14h = Interrupt Source: Slave 1 Transmit buffer empty; Interrupt Flag: UCTXIFG1 16h = Interrupt Source: Data received; Interrupt Flag: UCRXIFG0 18h = Interrupt Source: Transmit buffer empty; Interrupt Flag: UCTXIFG0 1Ah = Interrupt Source: Byte counter zero; Interrupt Flag: UCBCNTIFG 1Ch = Interrupt Source: Clock low time-out; Interrupt Flag: UCCLTOIFG 1Eh = Interrupt Source: 9th bit position; Interrupt Flag: UCBIT9IFG; Priority: Lowest

Embedded Emulation Module (EEM)

This chapter describes the embedded emulation module (EEM) that is implemented in all devices.

Topic	Page
21.1 Embedded Emulation Module (EEM) Introduction.....	570
21.2 EEM Building Blocks	572
21.3 EEM Configurations	573

21.1 Embedded Emulation Module (EEM) Introduction

Every MSP430 microcontroller implements an EEM. It is accessed and controlled through either 4-wire JTAG mode or Spy-Bi-Wire mode. Each implementation is device-dependent and is described in [Section 21.3](#), the EEM Configurations section, and the device-specific data sheet.

In general, the following features are available:

- Nonintrusive code execution with real-time breakpoint control
- Single-step, step-into, and step-over functionality
- Full support of all low-power modes
- Support for all system frequencies, for all clock sources
- Up to eight (device-dependent) hardware triggers or breakpoints on memory address bus (MAB) or memory data bus (MDB)
- Up to two (device-dependent) hardware triggers or breakpoints on CPU register write accesses
- MAB, MDB, and CPU register access triggers can be combined to form up to ten (device-dependent) complex triggers or breakpoints
- Up to two (device-dependent) cycle counters
- Trigger sequencing (device-dependent)
- Storage of internal bus and control signals using an integrated trace buffer (device-dependent)
- Clock control for timers, communication peripherals, and other modules on a global device level or on a per-module basis during an emulation stop

[Figure 21-1](#) shows a simplified block diagram of the largest currently-available EEM implementation.

For more details on how the features of the EEM can be used together with the IAR Embedded Workbench™ debugger or with Code Composer Studio (CCS), see *Advanced Debugging Using the Enhanced Emulation Module (SLAA393)* at www.msp430.com. Most other debuggers supporting the MSP430 devices have the same or a similar feature set. For details, see the user's guide of the applicable debugger.

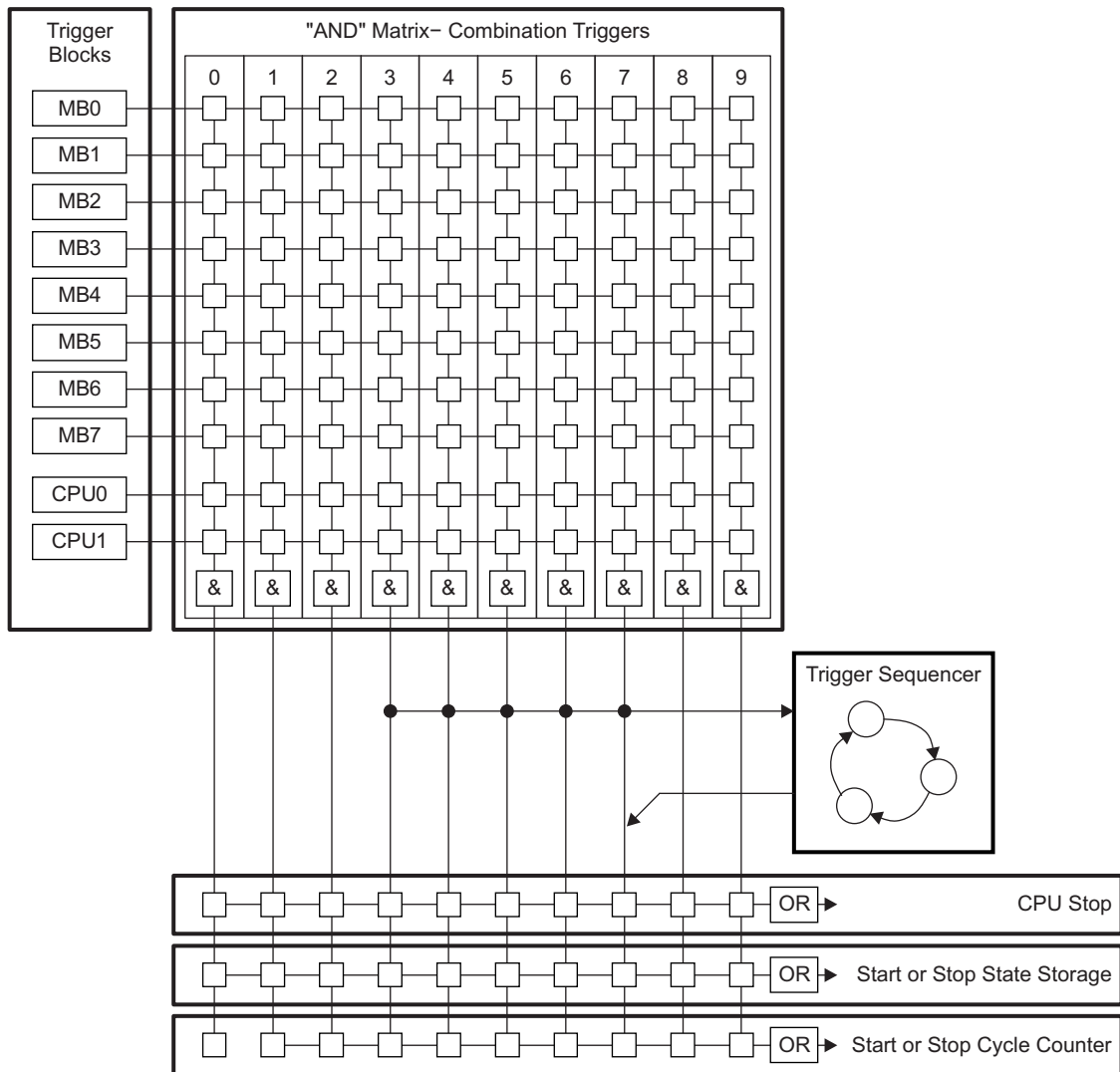


Figure 21-1. Large Implementation of EEM

21.2 EEM Building Blocks

21.2.1 Triggers

The event control in the EEM of the MSP430 system consists of triggers, which are internal signals indicating that a certain event has happened. These triggers may be used as simple breakpoints, but it is also possible to combine two or more triggers to allow detection of complex events and cause various reactions other than stopping the CPU.

In general, the triggers can be used to control the following functional blocks of the EEM:

- Breakpoints (CPU stop)
- State storage
- Sequencer
- Cycle counter

There are two different types of triggers – the memory trigger and the CPU register write trigger.

Each memory trigger block can be independently selected to compare either the MAB or the MDB with a given value. Depending on the implemented EEM, the comparison can be =, ≠, ≥, or ≤. The comparison can also be limited to certain bits with the use of a mask. The mask is either bit-wise or byte-wise, depending upon the device. In addition to selecting the bus and the comparison, the condition under which the trigger is active can be selected. The conditions include read access, write access, DMA access, and instruction fetch.

Each CPU register write trigger block can be independently selected to compare what is written into a selected register with a given value. The observed register can be selected for each trigger independently. The comparison can be =, ≠, ≥, or ≤. The comparison can also be limited to certain bits with the use of a bit mask.

Both types of triggers can be combined to form more complex triggers. For example, a complex trigger can signal when a particular value is written into a user-specified address.

21.2.2 Trigger Sequencer

The trigger sequencer allows the definition of a certain sequence of trigger signals before an event is accepted for a break or state storage event. Within the trigger sequencer, it is possible to use the following features:

- Four states (State 0 to State 3)
- Two transitions per state to any other state
- Reset trigger that resets the sequencer to State 0.

The trigger sequencer always starts at State 0 and must execute to State 3 to generate an action. If State 1 or State 2 are not required, they can be bypassed.

21.2.3 State Storage (Internal Trace Buffer)

The state storage function uses a built-in buffer to store MAB, MDB, and CPU control signal information (that is, read, write, or instruction fetch) in a nonintrusive manner. The built-in buffer can hold up to eight entries. The flexible configuration allows the user to record the information of interest very efficiently.

21.2.4 Cycle Counter

The cycle counter provides one or two 40-bit counters to measure the cycles used by the CPU to execute certain tasks. On some devices, the cycle counter operation can be controlled using triggers. This allows, for example, conditional profiling, such as profiling a specific section of code.

21.2.5 Clock Control

The EEM provides device-dependent flexible clock control. This is useful in applications where a running clock is needed for peripherals after the CPU is stopped (for example, to allow a UART module to complete its transfer of a character or to allow a timer to continue generating a PWM signal).

The clock control is flexible and supports both modules that need a running clock and modules that must be stopped when the CPU is stopped due to a breakpoint.

21.3 EEM Configurations

Table 21-1 gives an overview of the EEM configurations. The implemented configuration is device-dependent, and details can be found in the device-specific data sheet and these documents:

Advanced Debugging Using the Enhanced Emulation Module (EEM) With CCS (SLAA393)

IAR Embedded Workbench Version 3+ for MSP430 User's Guide (SLAU138)

Code Composer Studio for MSP430 User's Guide (SLAU157)

Table 21-1. EEM Configurations

Feature	XS	S	M	L
Memory bus triggers	2 (=, ≠ only)	3	5	8
Memory bus trigger mask for	1) Low byte 2) High byte 3) Four upper addr bits	1) Low byte 2) High byte 3) Four upper addr bits	1) Low byte 2) High byte 3) Four upper addr bits	All 16 or 20 bits
CPU register write triggers	0	1	1	2
Combination triggers	2	4	6	10
Sequencer	No	No	Yes	Yes
State storage	No	No	No	Yes
Cycle counter	1	1	1	2 (including triggered start or stop)

In general, the following features can be found on any device:

- At least two MAB or MDB triggers supporting:
 - Distinction between CPU, DMA, read, and write accesses
 - =, ≠, ≥, or ≤ comparison (in XS, only =, ≠)
- At least two trigger combination registers
- Hardware breakpoints using the CPU stop reaction
- At least one 40-bit cycle counter
- Enhanced clock control with individual control of module clocks

Revision History

NOTE: Page numbers for previous revisions may differ from page numbers in the current version.

Changes from November 6, 2013 to March 14, 2018	Page
• Throughout document, changed "bootstrap loader" to "bootloader"	26
• Updated description in "Enable and Disable Interrupt" note	31
• Added the paragraph that starts "Compute Through Power Loss (CTPL) is a utility API set..."	38
• Updated the requirements for the capacitor on the RST/NMI pin in Table 1-4, Connection of Unused Pins	40
• Removed former sections 1.10.1 through 1.10.4 about IP Encapsulation; moved modified content to MPU chapter	41
• Deleted note that started "Entering the password through the tool chain ...", because the behavior of tools is described in the tool user's guides.....	43
• Deleted word access requirement to unlock CS registers.....	79
• Changed frequency ranges for XT1DRIVE enums.....	84
• Added Section 4.4.2.4. MSP430X Address Instructions With Indexed Mode	103
• Removed incorrect emulation function and corrected description of N status bit in Section 4.6.2.14, CMP	147
• Changed "Disable interrupt" note to clarify operation of pipelined architecture	152
• Changed "Enable interrupt" note to clarify operation of pipelined architecture	153
• Added "No interrupt flags are modified by this command" to the description of RETI	170
• Changed from ambiguous "may be set" to more clear "will be set"	296
• Added P5IV, P6IV, P7IV, P8IV, and P9IV in Table 8-3, Digital I/O Registers	299
• Replaced P1IV, P2IV, P3IV, and P4IV register description sections with Section 8.4.1, PxIV Register	313
• Corrected value of "Interrupt Source: Port x.7 interrupt" (changed from 10b to 10h)	313
• Removed WDTCTL_L and WDTCTL_H registers, because any read or write access must use word instructions	331
• Changed the sentence that starts "Setting TACLRL also clears the clock divider counter..."	336
• Changed the sentence that starts "Setting TACLRL also clears..."	339
• Changed the description of the TACLRL bit	349
• Changed the sentence that starts "Setting TBCLR also clears the clock divider counter logic...".....	358
• Changed the sentence that starts "Setting TBCLR also clears the TBxR value...".....	361
• Changed the description of the TBCLR bit	372
• Removed "or by halting the counters" from the end of the first paragraph in the note "Reading or writing real-time clock registers"	384
• Corrected the description of the RTCAMIN (hex) AE bit.....	399
• Corrected the description of the RTCAMIN (BCD) AE bit	399
• Corrected the description of the RTCAHOUR (hex) AE bit.....	400
• Corrected the description of the RTCAHOUR (BCD) AE bit	400
• Corrected the description of the RTCADOW AE bit	401
• Corrected the description of the RTCADAY (hex) AE bit	402
• Corrected the description of the RTCADAY (BCD) AE bit.....	402
• Added the note that starts "The ADC10SC bit is automatically cleared..." in Pulse Sample Mode	437
• Added link to calibration information at the end of the second paragraph in Section 16.2.9, Using the Integrated Temperature Sensor	444
• Removed the sentence "The bias current of the comparator is programmable" in Section 17.2.1, Comparator	463
• Added the paragraph that starts "To optimize current consumption for the application..." in Section 17.2.1, Comparator	463
• Added note that starts "The listed UCBSRx settings..." to Table 18-5, Recommended Settings for Typical Crystals and Baud Rates	490
• Added note that starts "Assumes a stable clock source..." to Table 18-5	490
• Added information about clearing flags in Table 18-6, UART State Change Interrupt Flags	492
• Added Section 18.3.16	493
• Corrected description of UCTXCPITIFG bit	503
• Added step (4) to note "Initializing or reconfiguring the eUSCI module".....	508
• Changed from "UCSSELx bits are don't care" to "UCSSELx bits must be set to 0" in Section 19.3.6	511
• Changed the formula for f_{BitClock} and its description.....	511

• Updated UCSSELx bit description	515
• Corrected f_{BitClock} equation in Section 19.4.2	516
• Corrected f_{BitClock} equation in Section 19.5.2	525
• Changed from "bits 15-9" to "bits 15-8" in the list item "UCBxSTAT, bits 15-8 and 6-4 are cleared"	532
• Corrected software reset (UCSWRST = 1) conditions	532
• Corrected "UCBxI2COA0 = 0x0412;" in Example 20-2, Slave RX With 7-Bit Address	535
• Replaced "in registers UCBxBR1 and UCBxBR0" with "in register UCBxBRW" in the second paragraph of Section 20.3.7, f_C Clock Generation and Synchronization	545
• Removed "Modify only when UCSWRST = 1" from the description of UCSWRST in Table 20-4, UCBxCTLW0 Register Description	554
• Changed description of UCASTPx bit in Table 20-5, UCBxCTLW1 Register Description	555
• Corrected the description of the UCRXIFG3 bit in Table 20-19, UCBxIFG Register Description	566

IMPORTANT NOTICE FOR TI DESIGN INFORMATION AND RESOURCES

Texas Instruments Incorporated ("TI") technical, application or other design advice, services or information, including, but not limited to, reference designs and materials relating to evaluation modules, (collectively, "TI Resources") are intended to assist designers who are developing applications that incorporate TI products; by downloading, accessing or using any particular TI Resource in any way, you (individually or, if you are acting on behalf of a company, your company) agree to use it solely for this purpose and subject to the terms of this Notice.

TI's provision of TI Resources does not expand or otherwise alter TI's applicable published warranties or warranty disclaimers for TI products, and no additional obligations or liabilities arise from TI providing such TI Resources. TI reserves the right to make corrections, enhancements, improvements and other changes to its TI Resources.

You understand and agree that you remain responsible for using your independent analysis, evaluation and judgment in designing your applications and that you have full and exclusive responsibility to assure the safety of your applications and compliance of your applications (and of all TI products used in or for your applications) with all applicable regulations, laws and other applicable requirements. You represent that, with respect to your applications, you have all the necessary expertise to create and implement safeguards that (1) anticipate dangerous consequences of failures, (2) monitor failures and their consequences, and (3) lessen the likelihood of failures that might cause harm and take appropriate actions. You agree that prior to using or distributing any applications that include TI products, you will thoroughly test such applications and the functionality of such TI products as used in such applications. TI has not conducted any testing other than that specifically described in the published documentation for a particular TI Resource.

You are authorized to use, copy and modify any individual TI Resource only in connection with the development of applications that include the TI product(s) identified in such TI Resource. NO OTHER LICENSE, EXPRESS OR IMPLIED, BY ESTOPPEL OR OTHERWISE TO ANY OTHER TI INTELLECTUAL PROPERTY RIGHT, AND NO LICENSE TO ANY TECHNOLOGY OR INTELLECTUAL PROPERTY RIGHT OF TI OR ANY THIRD PARTY IS GRANTED HEREIN, including but not limited to any patent right, copyright, mask work right, or other intellectual property right relating to any combination, machine, or process in which TI products or services are used. Information regarding or referencing third-party products or services does not constitute a license to use such products or services, or a warranty or endorsement thereof. Use of TI Resources may require a license from a third party under the patents or other intellectual property of the third party, or a license from TI under the patents or other intellectual property of TI.

TI RESOURCES ARE PROVIDED "AS IS" AND WITH ALL FAULTS. TI DISCLAIMS ALL OTHER WARRANTIES OR REPRESENTATIONS, EXPRESS OR IMPLIED, REGARDING TI RESOURCES OR USE THEREOF, INCLUDING BUT NOT LIMITED TO ACCURACY OR COMPLETENESS, TITLE, ANY EPIDEMIC FAILURE WARRANTY AND ANY IMPLIED WARRANTIES OF MERCHANTABILITY, FITNESS FOR A PARTICULAR PURPOSE, AND NON-INFRINGEMENT OF ANY THIRD PARTY INTELLECTUAL PROPERTY RIGHTS.

TI SHALL NOT BE LIABLE FOR AND SHALL NOT DEFEND OR INDEMNIFY YOU AGAINST ANY CLAIM, INCLUDING BUT NOT LIMITED TO ANY INFRINGEMENT CLAIM THAT RELATES TO OR IS BASED ON ANY COMBINATION OF PRODUCTS EVEN IF DESCRIBED IN TI RESOURCES OR OTHERWISE. IN NO EVENT SHALL TI BE LIABLE FOR ANY ACTUAL, DIRECT, SPECIAL, COLLATERAL, INDIRECT, PUNITIVE, INCIDENTAL, CONSEQUENTIAL OR EXEMPLARY DAMAGES IN CONNECTION WITH OR ARISING OUT OF TI RESOURCES OR USE THEREOF, AND REGARDLESS OF WHETHER TI HAS BEEN ADVISED OF THE POSSIBILITY OF SUCH DAMAGES.

You agree to fully indemnify TI and its representatives against any damages, costs, losses, and/or liabilities arising out of your non-compliance with the terms and provisions of this Notice.

This Notice applies to TI Resources. Additional terms apply to the use and purchase of certain types of materials, TI products and services. These include; without limitation, TI's standard terms for semiconductor products (<http://www.ti.com/sc/docs/stdterms.htm>), [evaluation modules](#), and [samples](http://www.ti.com/sc/docs/sampterm.htm) (<http://www.ti.com/sc/docs/sampterm.htm>).

Mailing Address: Texas Instruments, Post Office Box 655303, Dallas, Texas 75265
Copyright © 2018, Texas Instruments Incorporated