

## DM7474

### Dual Positive-Edge-Triggered D-Type Flip-Flops with Preset, Clear and Complementary Outputs

#### General Description

This device contains two independent positive-edge-triggered D-type flip-flops with complementary outputs. The information on the D input is accepted by the flip-flops on the positive going edge of the clock pulse. The triggering occurs at a voltage level and is not directly related to the

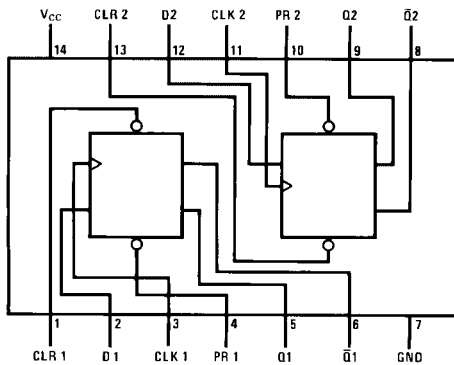
transition time of the rising edge of the clock. The data on the D input may be changed while the clock is LOW or HIGH without affecting the outputs as long as the data setup and hold times are not violated. A LOW logic level on the preset or clear inputs will set or reset the outputs regardless of the logic levels of the other inputs.

#### Ordering Code:

Order Number	Package Number	Package Description
DM7474M	M14A	14-Lead Small Outline Integrated Circuit (SOIC), JEDEC MS-012, 0.150" Narrow
DM7474N	N14A	14-Lead Plastic Dual-In-Line Package (PDIP), JEDEC MS-001, 0.300" Wide

Devices also available in Tape and Reel. Specify by appending the suffix letter "X" to the ordering code.

#### Connection Diagram



#### Function Table

Inputs				Outputs	
PR	CLR	CLK	D	Q	$\bar{Q}$
L	H	X	X	H	L
H	L	X	X	L	H
L	L	X	X	H	H
				(Note 1)	(Note 1)
H	H	↑	H	H	L
H	H	↑	L	L	H
H	H	L	X	Q <sub>0</sub>	$\bar{Q}_0$

H = HIGH Logic Level

X = Either LOW or HIGH Logic Level

L = LOW Logic Level

↑ = Positive-going transition of the clock.

Q<sub>0</sub> = The output logic level of Q before the indicated input conditions were established.

**Note 1:** This configuration is nonstable; that is, it will not persist when either the preset and/or clear inputs return to their inactive (HIGH) level.

**Absolute Maximum Ratings**(Note 2)

Supply Voltage	7V
Input Voltage	5.5V
Operating Free Air Temperature Range	0°C to +70°C
Storage Temperature Range	-65°C to +150°C

**Note 2:** The "Absolute Maximum Ratings" are those values beyond which the safety of the device cannot be guaranteed. The device should not be operated at these limits. The parametric values defined in the Electrical Characteristics tables are not guaranteed at the absolute maximum ratings. The "Recommended Operating Conditions" table will define the conditions for actual device operation.

**Recommended Operating Conditions**

Symbol	Parameter	Min	Nom	Max	Units
$V_{CC}$	Supply Voltage	4.75	5	5.25	V
$V_{IH}$	HIGH Level Input Voltage	2			V
$V_{IL}$	LOW Level Input Voltage			0.8	V
$I_{OH}$	HIGH Level Output Current			-0.4	mA
$I_{OL}$	LOW Level Output Current			16	mA
$f_{CLK}$	Clock Frequency (Note 4)	0		15	MHz
$t_W$	Pulse Width (Note 4)	Clock HIGH	30		ns
		Clock LOW	37		
		Clear LOW	30		
		Preset LOW	30		
$t_{SU}$	Input Setup Time (Note 3)(Note 4)	20 $\uparrow$			ns
$t_H$	Input Hold Time (Note 3)(Note 4)	5 $\uparrow$			ns
$T_A$	Free Air Operating Temperature	0		70	°C

**Note 3:** The symbol ( $\uparrow$ ) indicates the rising edge of the clock pulse is used for reference.

**Note 4:**  $T_A = 25^\circ\text{C}$  and  $V_{CC} = 5\text{V}$ .

**Electrical Characteristics**

over recommended operating free air temperature range (unless otherwise noted)

Symbol	Parameter	Conditions	Min	Typ (Note 5)	Max	Units
$V_I$	Input Clamp Voltage	$V_{CC} = \text{Min}$ , $I_I = -12 \text{ mA}$			-1.5	V
$V_{OH}$	HIGH Level Output Voltage	$V_{CC} = \text{Min}$ , $I_{OH} = \text{Max}$ $V_{IL} = \text{Max}$ , $V_{IH} = \text{Min}$	2.4	3.4		V
$V_{OL}$	LOW Level Output Voltage	$V_{CC} = \text{Min}$ , $I_{OL} = \text{Max}$ $V_{IH} = \text{Min}$ , $V_{IL} = \text{Max}$		0.2	0.4	V
$I_I$	Input Current @ Max Input Voltage	$V_{CC} = \text{Max}$ , $V_I = 5.5\text{V}$			1	mA
$I_{IH}$	HIGH Level Input Current	$V_{CC} = \text{Max}$ $V_I = 2.4\text{V}$	D		40	$\mu\text{A}$
			Clock		80	
			Clear		120	
			Preset		40	
$I_{IL}$	LOW Level Input Current	$V_{CC} = \text{Max}$ $V_I = 0.4\text{V}$ (Note 8)	D		-1.6	mA
			Clock		-3.2	
			Clear		-3.2	
			Preset		-1.6	
$I_{OS}$	Short Circuit Output Current	$V_{CC} = \text{Max}$ (Note 6)	-18		-55	mA
$I_{CC}$	Supply Current	$V_{CC} = \text{Max}$ (Note 7)		17	30	mA

**Note 5:** All typicals are at  $V_{CC} = 5\text{V}$ ,  $T_A = 25^\circ\text{C}$ .

**Note 6:** Not more than one output should be shorted at a time.

**Note 7:** With all outputs open,  $I_{CC}$  is measured with the Q and  $\bar{Q}$  outputs HIGH in turn. At the time of measurement the clock is grounded.

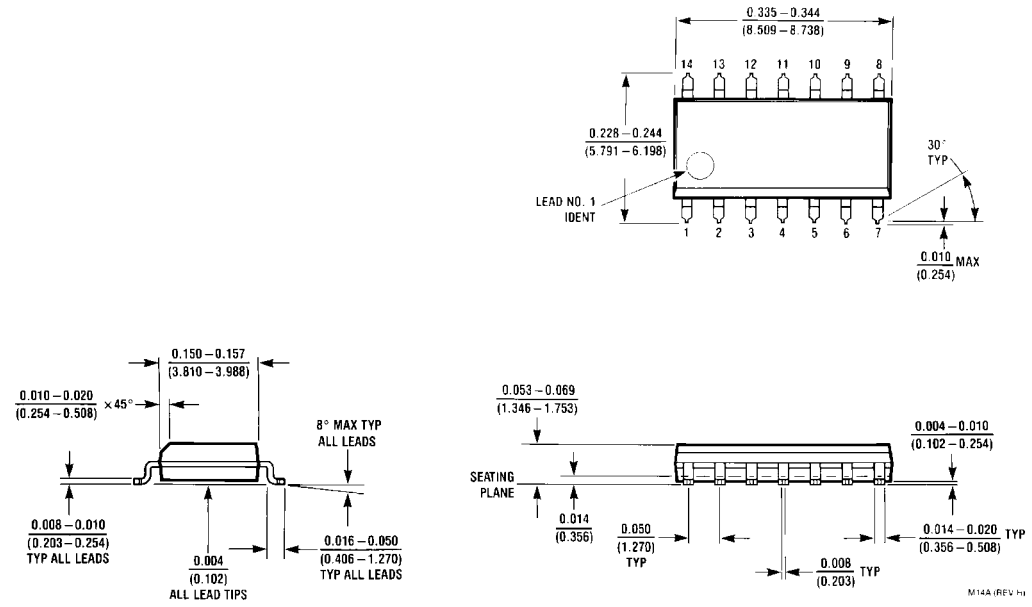
**Note 8:** Clear is tested with preset HIGH and preset is tested with clear HIGH.

## Switching Characteristics

at  $V_{CC} = 5V$  and  $T_A = 25^\circ C$

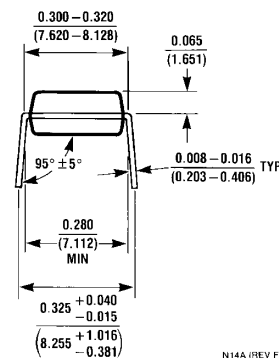
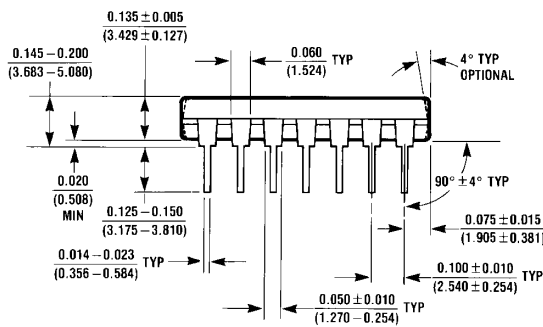
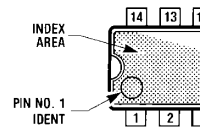
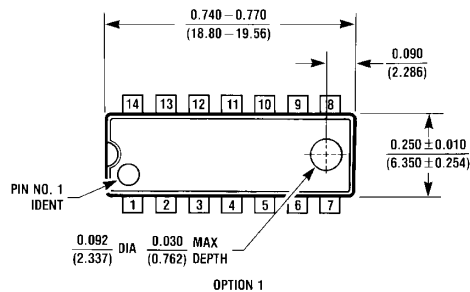
Symbol	Parameter	From (Input) To (Output)	$R_L = 400\Omega, C_L = 15\text{ pF}$		Units
			Min	Max	
$f_{MAX}$	Maximum Clock Frequency		15		MHz
$t_{PHL}$	Propagation Delay Time HIGH-to-LOW Level Output	Preset to $\bar{Q}$		40	ns
$t_{PLH}$	Propagation Delay Time LOW-to-HIGH Level Output	Preset to Q		25	ns
$t_{PHL}$	Propagation Delay Time HIGH-to-LOW Level Output	Clear to Q		40	ns
$t_{PLH}$	Propagation Delay Time LOW-to-HIGH Level Output	Clear to $\bar{Q}$		25	ns
$t_{PHL}$	Propagation Delay Time HIGH-to-LOW Level Output	Clock to Q or $\bar{Q}$		40	ns
$t_{PLH}$	Propagation Delay Time LOW-to-HIGH Level Output	Clock to Q or $\bar{Q}$		25	ns

**Physical Dimensions** inches (millimeters) unless otherwise noted



**14-Lead Small Outline Integrated Circuit (SOIC), JEDEC MS-012, 0.150" Narrow  
Package Number M14A**

**Physical Dimensions** inches (millimeters) unless otherwise noted (Continued)



**14-Lead Plastic Dual-In-Line Package (PDIP), JEDEC MS-001, 0.300" Wide Package Number N14A**

N14A (REV F)

Fairchild does not assume any responsibility for use of any circuitry described, no circuit patent licenses are implied and Fairchild reserves the right at any time without notice to change said circuitry and specifications.

**LIFE SUPPORT POLICY**

FAIRCHILD'S PRODUCTS ARE NOT AUTHORIZED FOR USE AS CRITICAL COMPONENTS IN LIFE SUPPORT DEVICES OR SYSTEMS WITHOUT THE EXPRESS WRITTEN APPROVAL OF THE PRESIDENT OF FAIRCHILD SEMICONDUCTOR CORPORATION. As used herein:

1. Life support devices or systems are devices or systems which, (a) are intended for surgical implant into the body, or (b) support or sustain life, and (c) whose failure to perform when properly used in accordance with instructions for use provided in the labeling, can be reasonably expected to result in a significant injury to the user.
2. A critical component in any component of a life support device or system whose failure to perform can be reasonably expected to cause the failure of the life support device or system, or to affect its safety or effectiveness.

[www.fairchildsemi.com](http://www.fairchildsemi.com)