

Attn.: _____

HIROSE ELECTRIC CO., LTD.
5-23, OSAKI 5-CHOME, SHINAGAWA-KU, TOKYO, JAPAN

**Notice of Change in Products and Request for Your
Acknowledgement**

Hirose would like to take this opportunity to thank you sincerely for your support, and we hope this letter finds you well and prosperous.

We are writing today to inform you that it has been decided that we will make the following change for the reason described below.

We sincerely apologize for any inconvenience this may cause.

We request that you kindly offer your consent to this matter.

1	Products Affected	FH12-SV Series Connectors * See Attachment 1.
2	Substitute Products	See Attachment 1.
3	Change Category	Sales discontinuation
4	Description of Change	We will discontinue the sales of applicable products and switch to substitute products. [Details] See Attachment 2, the comparison document.
5	Reason for Change	To improve operability at the time of locking the actuator.
6	Last Date for Receiving Orders for the Current Product	April 30, 2018
7	Start Date for Receiving Orders for Substitute Product	Already available for sales.
8	Last Shipping Date for the Current Product	September 30, 2018
9	Due Date for Acknowledgement	By October 31, 2017

We kindly request that you let a Hirose account representative know you acknowledge this matter by the above due date. In the absence of a response by this date, please be advised that you will be delivered products that have been changed as described above.

If you should have any questions, please feel free to contact a Hirose account representative. Your understanding and cooperation are highly appreciated.

■ List of Products Affected

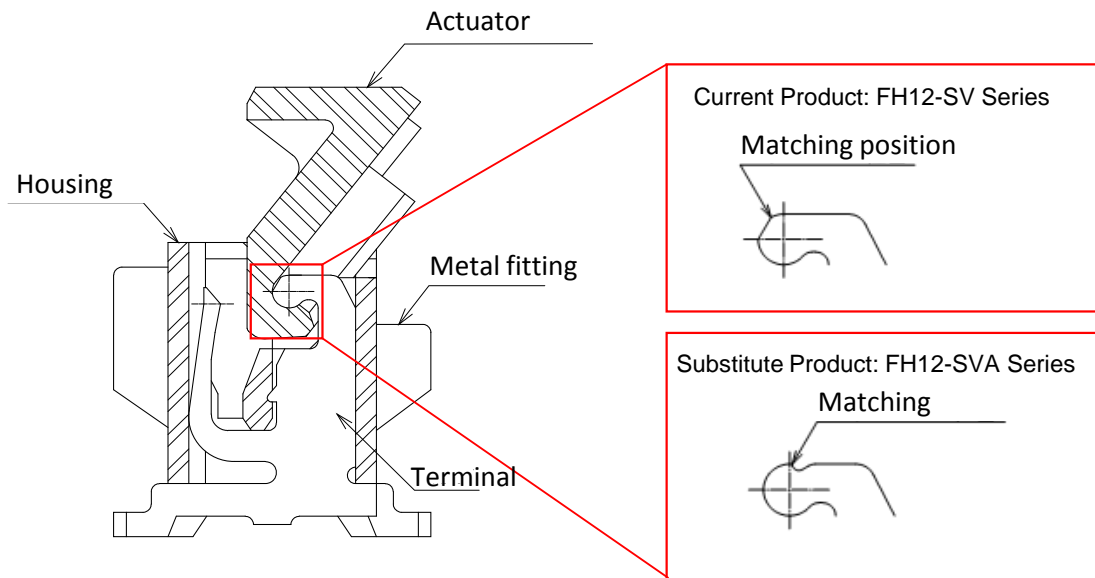
Document No.: 430-16041_FH12-SV Series Connector Sales Discontinuation

No.	Current Products		Substitute Products	
	Product Code	Product Name	Product Code	Product Name
1	586-0605-9-55	FH12-6S-1SV(55)	586-0822-0-54	FH12-6S-1SVA(54)
2	586-0610-9-55	FH12-7S-1SV(55)	586-0823-0-54	FH12-7S-1SVA(54)
3	586-0593-1-55	FH12-8S-1SV(55)	586-0824-0-54	FH12-8S-1SVA(54)
4	586-0560-2-55	FH12-10S-0.5SV(55)	586-0806-0-54	FH12-10S-0.5SVA(54)
5	586-0615-2-55	FH12-12S-0.5SV(55)	586-0757-7-54	FH12-12S-0.5SVA(54)
6	586-0575-0-55	FH12-13S-0.5SV(55)	586-0807-3-54	FH12-13S-0.5SVA(54)
7	586-0561-5-55	FH12-15S-0.5SV(55)	586-0808-6-54	FH12-15S-0.5SVA(54)
8	586-0572-1-55	FH12-16S-0.5SV(55)	586-0809-9-54	FH12-16S-0.5SVA(54)
9	586-0574-7-55	FH12-16S-1SV(55)	586-0825-0-54	FH12-16S-1SVA(54)
10	586-0601-8-55	FH12-17S-0.5SV(55)	586-0810-8-54	FH12-17S-0.5SVA(54)
11	586-0573-4-55	FH12-18S-0.5SV(55)	586-0811-0-54	FH12-18S-0.5SVA(54)
12	586-0562-8-55	FH12-20S-0.5SV(55)	586-0812-3-54	FH12-20S-0.5SVA(54)
13	586-0634-7-55	FH12-20S-1SV(55)	586-0826-0-54	FH12-20S-1SVA(54)
14	586-0589-4-55	FH12-22S-0.5SV(55)	586-0813-6-54	FH12-22S-0.5SVA(54)
15	586-0584-0-55	FH12-22S-1SV(55)	586-0827-0-54	FH12-22S-1SVA(54)
16	586-0563-0-55	FH12-24S-0.5SV(55)	586-0814-9-54	FH12-24S-0.5SVA(54)
17	586-0594-4-55	FH12-24S-1SV(55)	586-0828-0-54	FH12-24S-1SVA(54)
18	586-0664-8-55	FH12-26S-0.5SV(55)	586-0815-1-54	FH12-26S-0.5SVA(54)
19	586-0564-3-55	FH12-30S-0.5SV(55)	586-0750-8-54	FH12-30S-0.5SVA(54)
20	586-0699-2-55	FH12-32S-0.5SV(55)	586-0816-4-54	FH12-32S-0.5SVA(54)
21	586-0565-6-55	FH12-33S-0.5SV(55)	586-0818-0-54	FH12-33S-0.5SVA(54)
22	586-0706-6-55	FH12-34S-0.5SV(55)	586-0817-7-54	FH12-34S-0.5SVA(54)
23	586-0641-2-55	FH12-36S-0.5SV(55)	586-0819-2-54	FH12-36S-0.5SVA(54)
24	586-0566-9-55	FH12-40S-0.5SV(55)	586-0804-5-54	FH12-40S-0.5SVA(54)
25	586-0567-1-55	FH12-45S-0.5SV(55)	586-0820-1-54	FH12-45S-0.5SVA(54)
26	586-0602-0-55	FH12-49S-0.5SV(55)	586-0821-4-54	FH12-49S-0.5SVA(54)
27	586-0568-4-55	FH12-50S-0.5SV(55)	586-0805-8-54	FH12-50S-0.5SVA(54)
28	586-0735-4-55	FH12-60S-0.5SV(55)	586-0749-9-54	FH12-60S-0.5SVA(54)
29	586-0560-2-54	FH12-10S-0.5SV(54)	586-0806-0-54	FH12-10S-0.5SVA(54)
30	586-0562-8-54	FH12-20S-0.5SV(54)	586-0812-3-54	FH12-20S-0.5SVA(54)
31	586-0664-8-54	FH12-26S-0.5SV(54)	586-0815-1-54	FH12-26S-0.5SVA(54)
32	586-0568-4-54	FH12-50S-0.5SV(54)	586-0805-8-54	FH12-50S-0.5SVA(54)

FH12-SV/FH12-SVA Series Connector: Comparison Document

In order to improve the operability at the time of locking the actuator, the press matching position at the terminal rotating shaft and the form of the part sliding along the actuator were changed from FH12-SV to FH12-SVA series connectors (See the figures below).

There will be no differences in external appearance, dimensions, electric performance, and mechanical performance.



Acknowledgement

(Customer -> Hirose Electric business representative)

Notice of Change in Products and Request for Your Acknowledgement

We acknowledge the aforementioned matter.

Customer's name: _____

Acknowledgement stamp (or signature): _____

HIROSE ELECTRIC CO., LTD.

(Cut on this line)

Document Receipt

(Customer -> Hirose Electric business representative)

Notice of Change in Products and Request for Your Acknowledgement

We received the document concerning the above.

Customer's name: _____

Acknowledgement stamp (or signature): _____

HIROSE ELECTRIC CO., LTD.