

# NCP1253

## Controller, Current Mode PWM, for Offline Power Supplies

The NCP1253 is a highly integrated PWM controller capable of delivering a rugged and high performance offline power supply in a tiny TSOP-6 package. With a supply range up to 28 V, the controller hosts a jittered 65 kHz or 100 kHz switching circuitry operated in peak current mode control. When the power on the secondary side starts to decrease, the controller automatically folds back its switching frequency down to a minimum level of 26 kHz. As the power further goes down, the part enters skip cycle while limiting the peak current. To avoid sub harmonic oscillations in CCM operation, adjustable slope compensation is available via the series inclusion of a simple resistor in the current sense signal.

Besides the auto-recovery timer-based short-circuit protection, an Over Voltage Protection on the  $V_{CC}$  pin protects the whole circuitry in case of optocoupler destruction or adverse open loop operation.

### Features

- Fixed-Frequency 65 kHz or 100 kHz Current-Mode Control Operation
- Frequency Foldback Down to 26 kHz and Skip-Cycle in Light Load Conditions
- Adjustable Ramp Compensation
- Internally Fixed 4 ms soft-start
- Timer-based Auto-Recovery or Latched Short-Circuit Protection
- Frequency Jittering in Normal and Frequency Foldback Modes
- Latched OVP on  $V_{CC}$
- Up to 28 V  $V_{CC}$  Operation
- Extremely Low No-load Standby Power
- These are Pb-Free Devices

### Typical Applications

- Ac-dc Converters for TVs, Set-top Boxes and Printers
- Offline Adapters for Notebooks and Netbooks



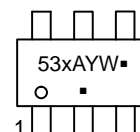
ON Semiconductor®

[www.onsemi.com](http://www.onsemi.com)



TSOP-6  
CASE 318G  
STYLE 13

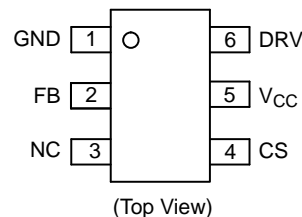
### MARKING DIAGRAM



53 = Specific Device Code  
x = A, 2, C, or D  
A = Assembly Location  
Y = Year  
W = Work Week  
▪ = Pb-Free Package

(Note: Microdot may be in either location)

### PIN CONNECTIONS



(Top View)

### ORDERING INFORMATION

See detailed ordering and shipping information in the package dimensions section on page 2 of this data sheet.

# NCP1253

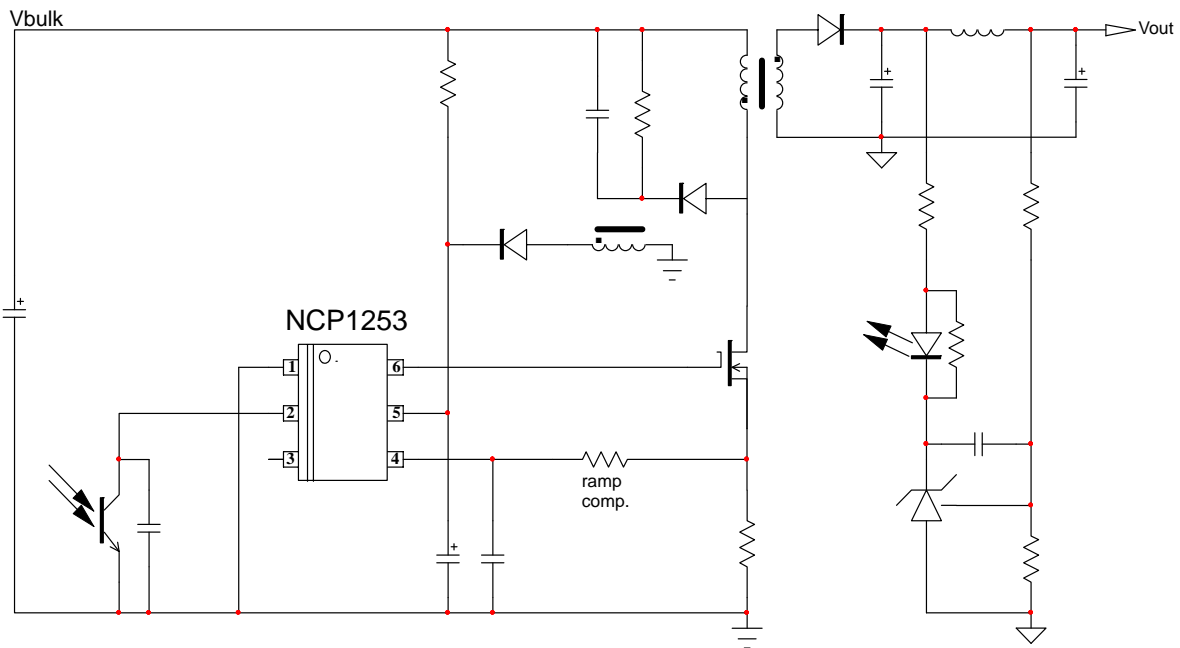


Figure 1. Typical Application Schematic

## PIN FUNCTION DESCRIPTION

| Pin No. | Pin Name        | Function                                  | Description  |
|---------|-----------------|---|--|
| 1       | GND             | –   | The controller ground.   |
| 2       | FB              | Feedback pin                              | Hooking an optocoupler collector to this pin will allow regulation.  |
| 3       | NC              | Non-connected pin                         | The pin is electrically inert and can be grounded if necessary   |
| 4       | CS              | Current sense + ramp compensation         | This pin monitors the primary peak current but also offers a means to introduce slope compensation.  |
| 5       | V <sub>CC</sub> | Supplies the controller – protects the IC | This pin is connected to an external auxiliary voltage. An OVP comparator monitors this pin and offers a means to latch the converter in fault conditions. |
| 6       | DRV             | Driver output                             | The driver's output to an external MOSFET gate.  |

## OPTIONS

| Controller       | Frequency | OCP Latched | OCP Auto-Recovery |
|------------------|-----------|-------------|-------------------|
| NCP1253ASN65T1G  | 65 kHz    | Yes         | No                |
| NCP1253BSN65T1G  | 65 kHz    | No          | Yes               |
| NCP1253ASN100T1G | 100 kHz   | Yes         | No                |
| NCP1253BSN100T1G | 100 kHz   | No          | Yes               |

## ORDERING INFORMATION

| Device           | Package Marking | OCP Protection | Switching Frequency (kHz) | Package             | Shipping <sup>†</sup> |
|------------------|-----------------|----------------|---------------------------|---------------------|-----------------------|
| NCP1253ASN65T1G  | 53A             | Latch          | 65                        | TSOP-6<br>(Pb-Free) | 3000 / Tape & Reel    |
| NCP1253BSN65T1G  | 532             | Auto Recovery  | 65                        |                     |                       |
| NCP1253ASN100T1G | 53C             | Latch          | 100                       |                     |                       |
| NCP1253BSN100T1G | 53D             | Auto Recovery  | 100                       |                     |                       |

<sup>†</sup>For information on tape and reel specifications, including part orientation and tape sizes, please refer to our Tape and Reel Packaging Specifications Brochure, BRD8011/D.

# NCP1253

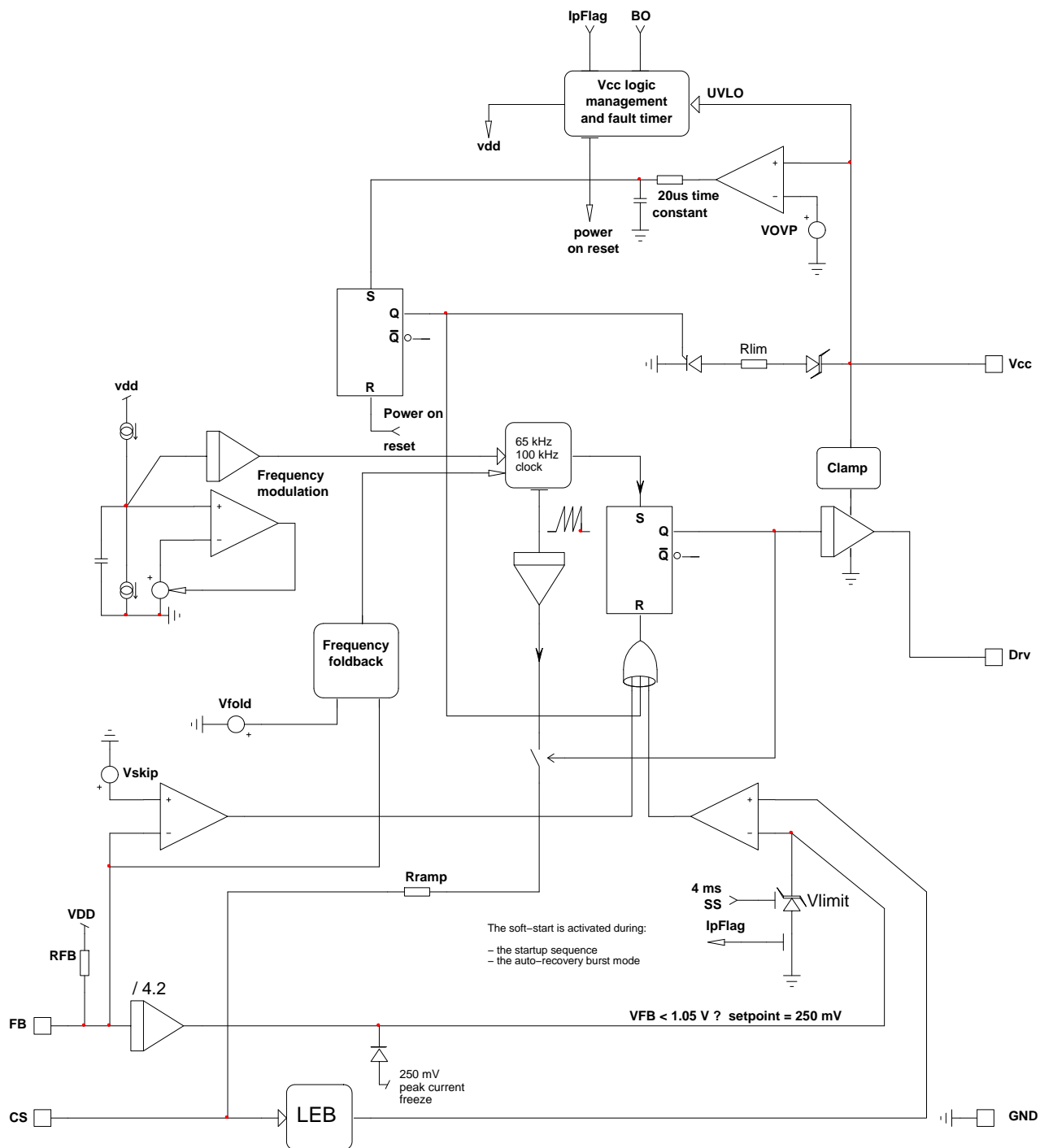


Figure 2. Internal Circuit Architecture

# NCP1253

## MAXIMUM RATINGS TABLE

| Symbol             | Rating  | Value       | Unit |
|--------------------|---|-------------|------|
| V <sub>CC</sub>    | Power Supply voltage, V <sub>CC</sub> pin, continuous voltage | 28          | V    |
|                    | Maximum voltage on low power pins CS, and FB                  | -0.3 to 10  | V    |
| R <sub>θJ-A</sub>  | Thermal Resistance Junction-to-Air                            | 360         | °C/W |
| T <sub>J,max</sub> | Maximum Junction Temperature                                  | 150         | °C   |
|                    | Storage Temperature Range                                     | -60 to +150 | °C   |
|                    | ESD Capability, Human Body Model, all pins                    | 2           | kV   |
|                    | ESD Capability, Machine Model                                 | 200         | V    |

Stresses exceeding those listed in the Maximum Ratings table may damage the device. If any of these limits are exceeded, device functionality should not be assumed, damage may occur and reliability may be affected.

- This device series contains ESD protection and exceeds the following tests: Human Body Model 2000 V per JESD22, Method A114E. Machine Model Method 200 V per JESD22, Method A115A.
- This device contains latch-up protection and exceeds 100 mA per JEDEC Standard JESD78.

## ELECTRICAL CHARACTERISTICS

(For typical values T<sub>J</sub> = 25°C, for min/max values T<sub>J</sub> = -40°C to +125°C, Max T<sub>J</sub> = 150°C, V<sub>CC</sub> = 12 V unless otherwise noted)

| Symbol               | Rating   | Pin | Min | Typ | Max | Unit |
|----------------------|--|-----|-----|-----|-----|------|
| V <sub>CCON</sub>    | V <sub>CC</sub> increasing level at which driving pulses are authorized                                      | 5   | 16  | 18  | 20  | V    |
| V <sub>CC(min)</sub> | V <sub>CC</sub> decreasing level at which driving pulses are stopped   | 5   | 8.2 | 8.8 | 9.4 | V    |
| V <sub>CCHYST</sub>  | Hysteresis V <sub>CCON</sub> -V <sub>CC(min)</sub>   | 5   | 6   | -   | -   | V    |
| V <sub>ZENER</sub>   | Clamped V <sub>CC</sub> when latched off @ I <sub>CC</sub> = 500 μA  | 5   | -   | 7   | -   | V    |
| ICC1                 | Start-up current   | 5   | -   | -   | 15  | μA   |
| ICC2                 | Internal IC consumption with I <sub>FB</sub> = 50 μA, F <sub>SW</sub> = 65 kHz and C <sub>L</sub> = 0        | 5   | -   | 1.4 | 2.2 | mA   |
| ICC3                 | Internal IC consumption with I <sub>FB</sub> = 50 μA, F <sub>SW</sub> = 65 kHz and C <sub>L</sub> = 1 nF     | 5   | -   | 2.1 | 3.0 | mA   |
| ICC2                 | Internal IC consumption with I <sub>FB</sub> = 50 μA, F <sub>SW</sub> = 100 kHz and C <sub>L</sub> = 0       | 5   | -   | 1.7 | 2.5 | mA   |
| ICC3                 | Internal IC consumption with I <sub>FB</sub> = 50 μA, F <sub>SW</sub> = 100 kHz and C <sub>L</sub> = 1 nF    | 5   | -   | 3.1 | 4.0 | mA   |
| ICCstby              | Internal IC consumption while in skip mode (V <sub>CC</sub> = 12 V, driving a typical 6 A/600 V MOSFET)      | 5   |     | 550 |     | μA   |
| ICCLATCH             | Current flowing into V <sub>CC</sub> pin that keeps the controller latched – T <sub>J</sub> = 0 to 125°C     | 5   | 32  |     |     | μA   |
| ICCLATCH             | Current flowing into V <sub>CC</sub> pin that keeps the controller latched – T <sub>J</sub> = -40°C to 125°C | 5   | 40  |     |     | μA   |

## DRIVE OUTPUT

|                      |   |   |    |     |    |    |
|----------------------|---|---|----|-----|----|----|
| T <sub>r</sub>       | Output voltage rise-time @ C <sub>L</sub> = 1 nF, 10–90% of output signal                   | 6 | -  | 40  | -  | ns |
| T <sub>f</sub>       | Output voltage fall-time @ C <sub>L</sub> = 1 nF, 10–90% of output signal                   | 6 | -  | 30  | -  | ns |
| R <sub>OH</sub>      | Source resistance   | 6 | -  | 13  | -  | Ω  |
| R <sub>OL</sub>      | Sink resistance   | 6 | -  | 6   | -  | Ω  |
| I <sub>source</sub>  | Peak source current, V <sub>GS</sub> = 0 V (Note 3)   | 6 |    | 300 |    | mA |
| I <sub>sink</sub>    | Peak sink current, V <sub>GS</sub> = 12 V (Note 3)  | 6 |    | 500 |    | mA |
| V <sub>DRVlow</sub>  | DRV pin level at V <sub>CC</sub> close to V <sub>CC(min)</sub> with a 33 kΩ resistor to GND | 6 | 8  | -   | -  | V  |
| V <sub>DRVhigh</sub> | DRV pin level at V <sub>CC</sub> = 28 V – DRV unloaded                                      | 6 | 10 | 12  | 14 | V  |

- Guaranteed by design

## CURRENT COMPARATOR

|                     |   |   |       |      |       |    |
|---------------------|---|---|-------|------|-------|----|
| I <sub>B</sub>      | Input Bias Current @ 0.8 V input level on pin 4                     | 4 |       | 0.02 |       | μA |
| V <sub>Limit1</sub> | Maximum internal current setpoint – T <sub>J</sub> = 25 °C          | 4 | 0.744 | 0.8  | 0.856 | V  |
| V <sub>Limit2</sub> | Maximum internal current setpoint – T <sub>J</sub> = -40° to 125 °C | 4 | 0.72  | 0.8  | 0.88  | V  |

# NCP1253

## ELECTRICAL CHARACTERISTICS

(For typical values  $T_J = 25^\circ\text{C}$ , for min/max values  $T_J = -40^\circ\text{C}$  to  $+125^\circ\text{C}$ , Max  $T_J = 150^\circ\text{C}$ ,  $V_{CC} = 12\text{ V}$  unless otherwise noted)

| Symbol | Rating | Pin | Min | Typ | Max | Unit |
|--------|--------|-----|-----|-----|-----|------|
|--------|--------|-----|-----|-----|-----|------|

### CURRENT COMPARATOR

|                     |  |   |  |     |     |    |
|---------------------|--|---|--|-----|-----|----|
| $V_{\text{fold}}$   | Default internal voltage set point for frequency foldback trip point – 45% of $V_{\text{limit}}$ | 4 |  | 357 |     | mV |
| $V_{\text{freeze}}$ | Internal peak current setpoint freeze ( $\approx 31\%$ of $V_{\text{limit}}$ )                   | 4 |  | 250 |     | mV |
| $T_{\text{DEL}}$    | Propagation delay from current detection to gate off-state                                       | 4 |  | 100 | 150 | ns |
| $T_{\text{LEB}}$    | Leading Edge Blanking Duration   | 4 |  | 300 |     | ns |
| TSS                 | Internal soft-start duration activated upon startup, auto-recovery                               | – |  | 4   |     | ms |

### INTERNAL OSCILLATOR

|                     |   |   |    |         |     |     |
|---------------------|---|---|----|---------|-----|-----|
| $f_{\text{OSC}}$    | Oscillation frequency (65 kHz version)                | – | 61 | 65      | 71  | kHz |
| $f_{\text{OSC}}$    | Oscillation frequency (100 kHz version)               | – | 92 | 100     | 108 | kHz |
| $D_{\text{max}}$    | Maximum duty-ratio                                    | – | 76 | 80      | 84  | %   |
| $f_{\text{jitter}}$ | Frequency jittering in percentage of $f_{\text{OSC}}$ | – |    | $\pm 5$ |     | %   |
| $f_{\text{swing}}$  | Swing frequency                                       | – |    | 240     |     | Hz  |

### Feedback Section

|                                |   |   |  |      |  |            |
|--------------------------------|---|---|--|------|--|------------|
| $R_{\text{up}}$                | Internal pull-up resistor                               | 2 |  | 20   |  | k $\Omega$ |
| $R_{\text{eq}}$                | Equivalent ac resistor from FB to GND                   | 2 |  | 16   |  | k $\Omega$ |
| $I_{\text{ratio}}$             | Pin 2 to current setpoint division ratio                | – |  | 4.2  |  |            |
| $V_{\text{freeze}}(\text{FB})$ | Feedback voltage below which the peak current is frozen | 2 |  | 1.05 |  | V          |

### FREQUENCY FOLDBACK

|                       |   |   |    |     |    |     |
|-----------------------|---|---|----|-----|----|-----|
| $V_{\text{fold}}$     | Frequency foldback level on the feedback pin – $\approx 45\%$ of maximum peak current | – |    | 1.5 |    | V   |
| $F_{\text{trans}}$    | Transition frequency below which skip-cycle occurs                                    | – | 22 | 26  | 30 | kHz |
| $V_{\text{fold,end}}$ | End of frequency foldback feedback level, $F_{\text{sw}} = F_{\text{min}}$            |   |    | 350 |    | mV  |
| $V_{\text{skip}}$     | Skip-cycle level voltage on the feedback pin  | – |    | 300 |    | mV  |
| Skip hysteresis       | Hysteresis on the skip comparator   | – |    | 30  |    | mV  |

### INTERNAL SLOPE COMPENSATION

|                   |   |   |  |     |  |            |
|-------------------|---|---|--|-----|--|------------|
| $V_{\text{ramp}}$ | Internal ramp level @ $25^\circ\text{C}$ (Note 4) | 4 |  | 2.5 |  | V          |
| $R_{\text{ramp}}$ | Internal ramp resistance to CS pin                | 4 |  | 20  |  | k $\Omega$ |

4. A 1 M $\Omega$  resistor is connected from pin 4 to the ground for the measurement.

### PROTECTIONS

|                     |   |   |     |      |     |               |
|---------------------|---|---|-----|------|-----|---------------|
| $V_{\text{OVP}}$    | Latched Overvoltage Protection on the $V_{CC}$ rail | 5 | 24  | 25.5 | 27  | V             |
| $T_{\text{OVPdel}}$ | Delay before OVP confirmation on the $V_{CC}$ rail  | 5 |     | 20   |     | $\mu\text{s}$ |
| Timer               | Internal auto-recovery fault timer duration         | – | 100 | 130  | 160 | ms            |

Product parametric performance is indicated in the Electrical Characteristics for the listed test conditions, unless otherwise noted. Product performance may not be indicated by the Electrical Characteristics if operated under different conditions.

TYPICAL CHARACTERISTICS

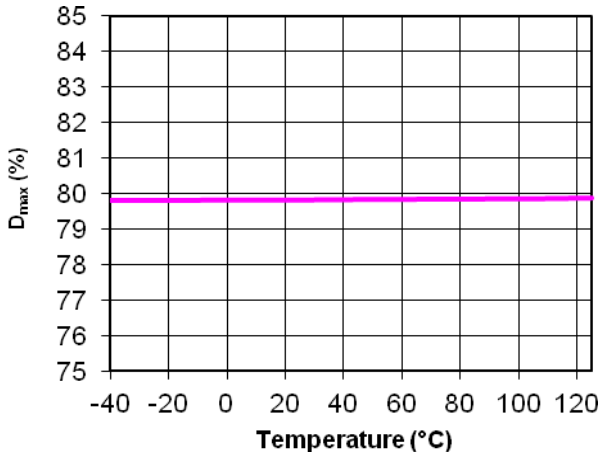


Figure 3. D<sub>max</sub> vs. Junction Temperature

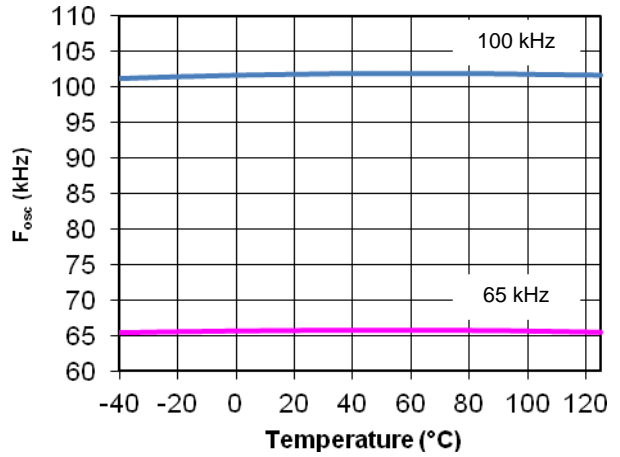


Figure 4. F<sub>osc</sub> vs. Junction Temperature

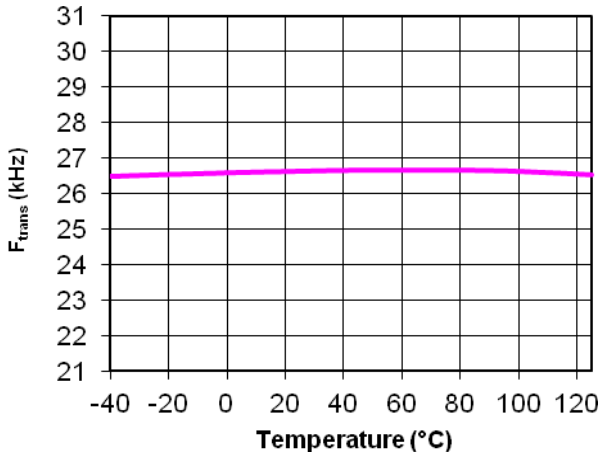


Figure 5. F<sub>trans</sub> vs. Junction Temperature

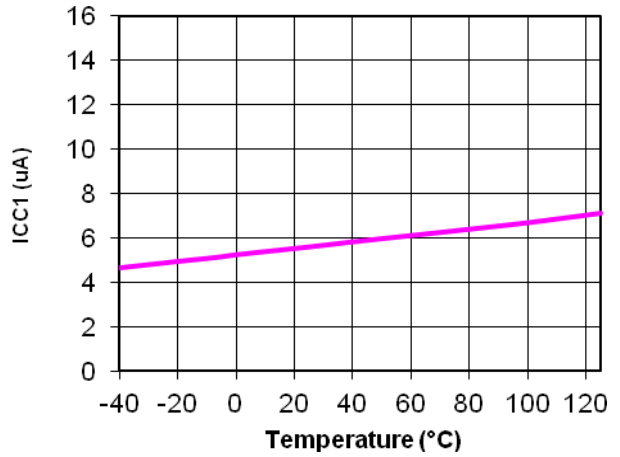


Figure 6. ICC1 vs. Junction Temperature

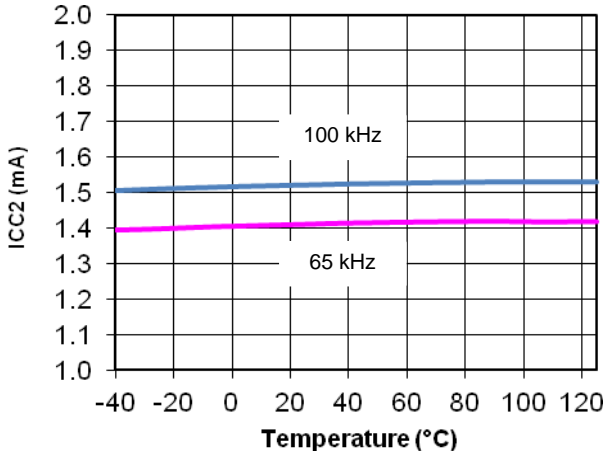


Figure 7. ICC2 vs. Junction Temperature

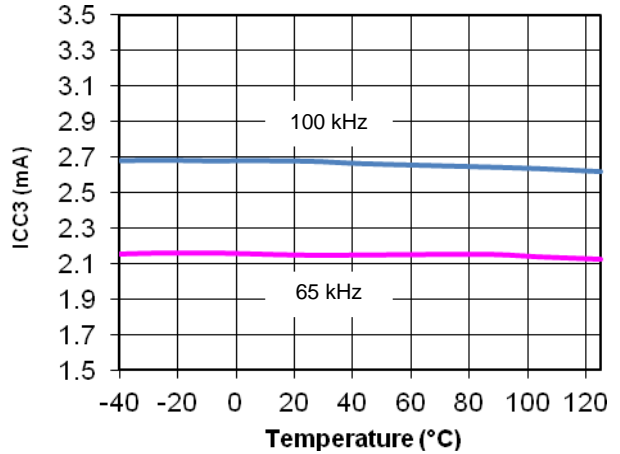


Figure 8. ICC3 vs. Junction Temperature

# NCP1253

## TYPICAL CHARACTERISTICS

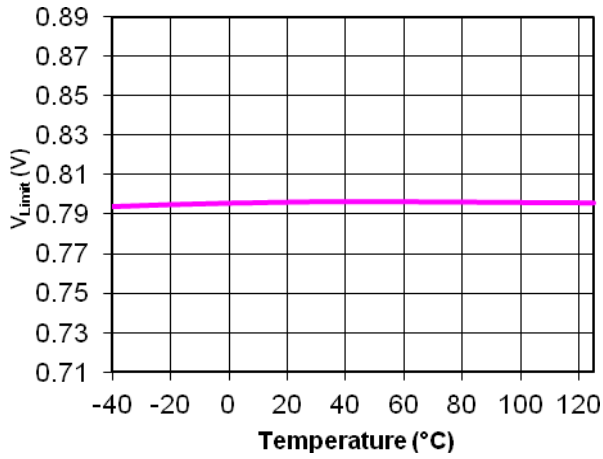


Figure 9. V<sub>Limit</sub> vs. Junction Temperature

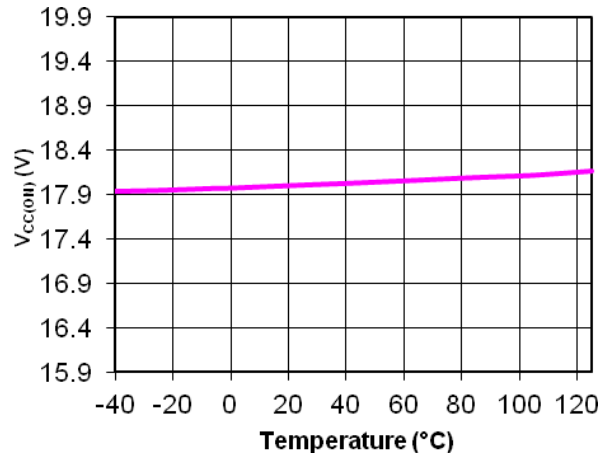


Figure 10. V<sub>CC(ON)</sub> vs. Junction Temperature

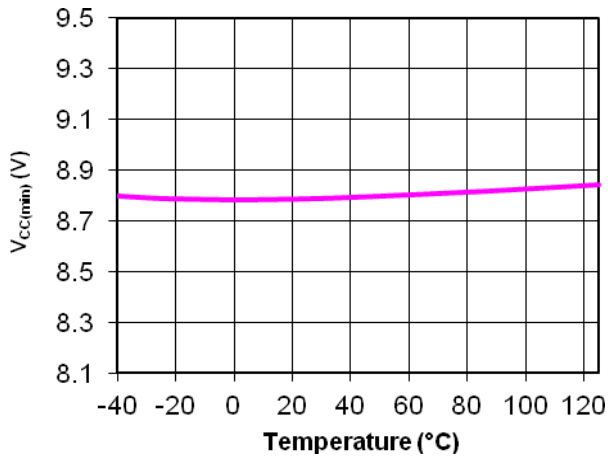


Figure 11. V<sub>CC(min)</sub> vs. Junction Temperature

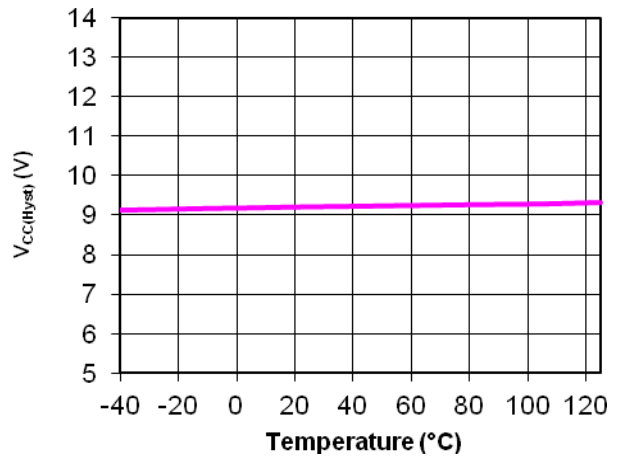


Figure 12. V<sub>CC(Hyst)</sub> vs. Junction Temperature

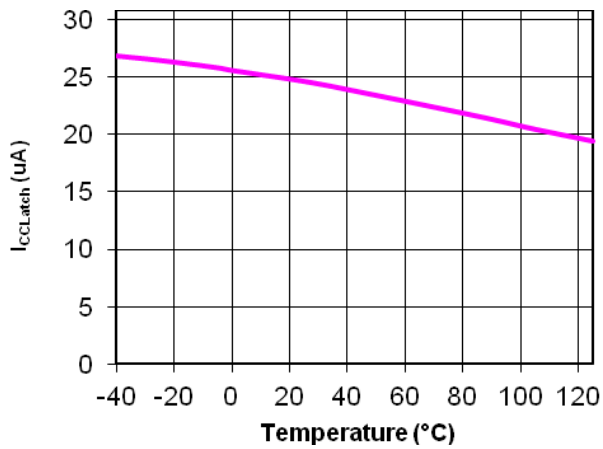


Figure 13. I<sub>CCLatch</sub> vs. Junction Temperature

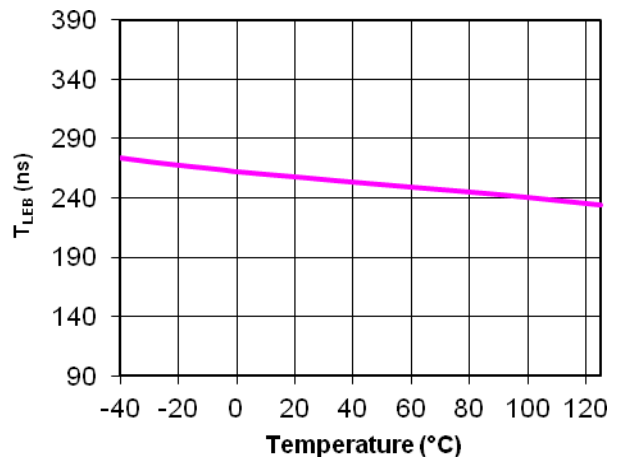


Figure 14. T<sub>LEB</sub> vs. Junction Temperature

TYPICAL CHARACTERISTICS

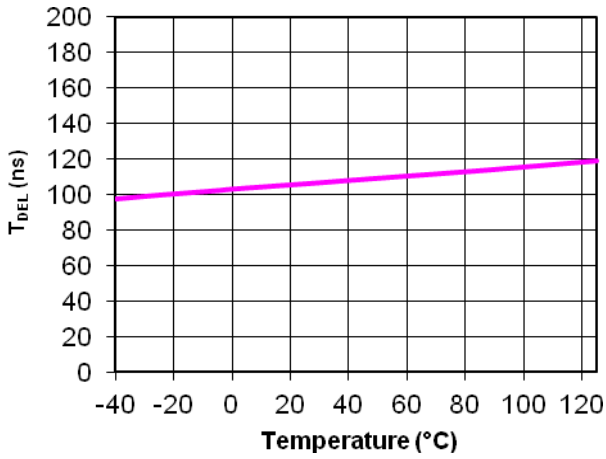


Figure 15.  $T_{DEL}$  vs. Junction Temperature

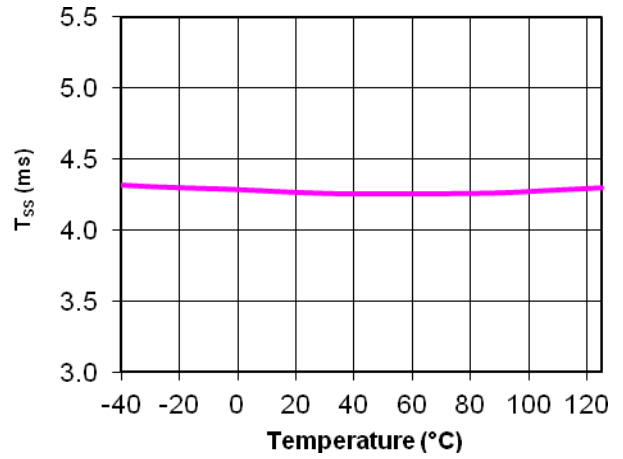


Figure 16.  $T_{SS}$  vs. Junction Temperature

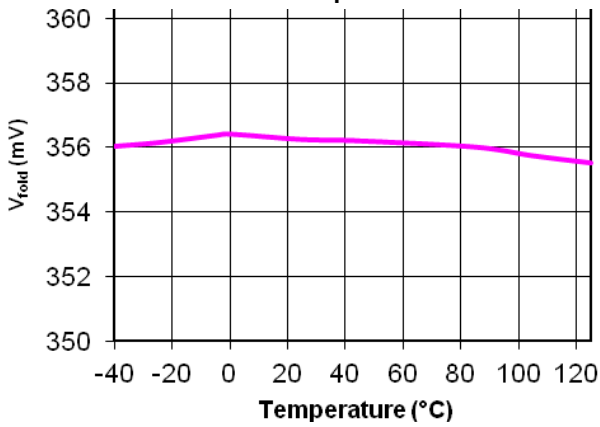


Figure 17.  $V_{fold}$  vs. Junction Temperature

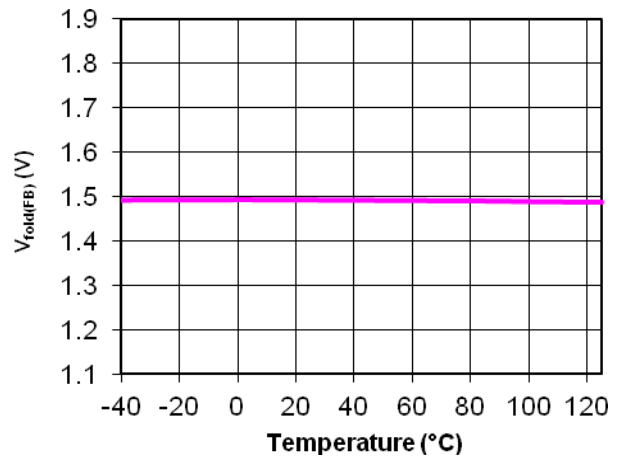


Figure 18.  $V_{fold(FB)}$  vs. Junction Temperature

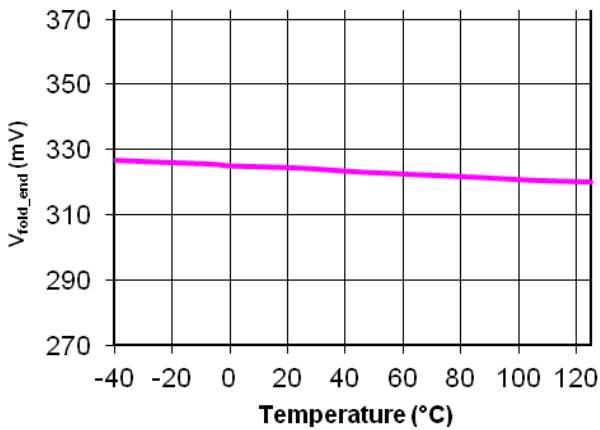


Figure 19.  $V_{fold\_end}$  vs. Junction Temperature

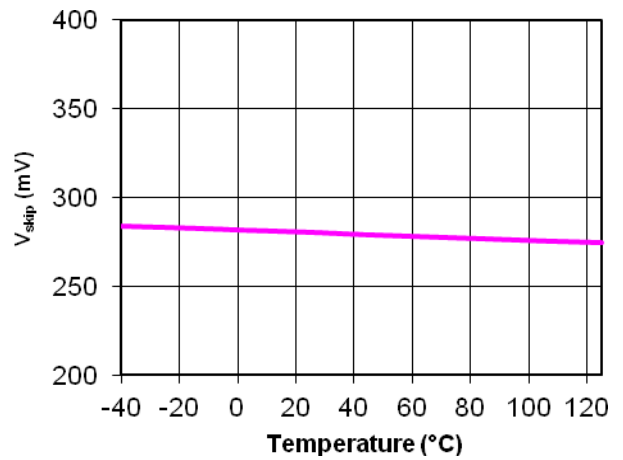


Figure 20.  $V_{skip}$  vs. Junction Temperature



# NCP1253

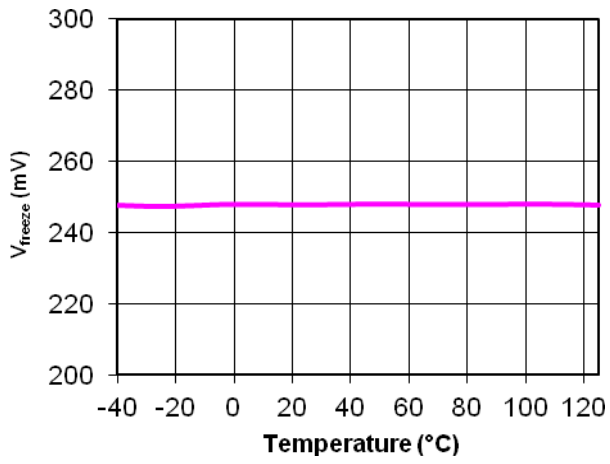


Figure 21. V<sub>freeze</sub> vs. Junction Temperature

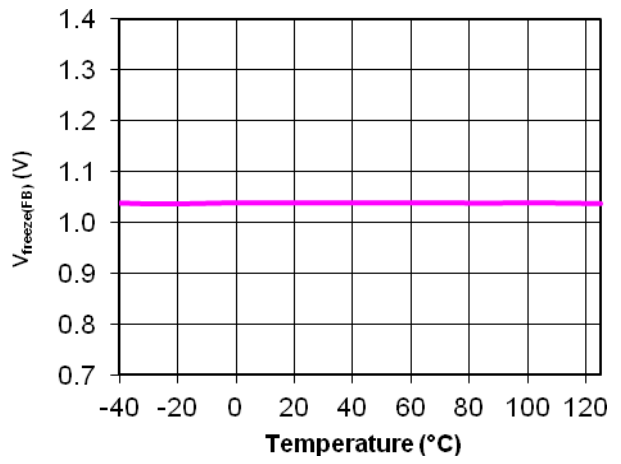


Figure 22. V<sub>freeze(FB)</sub> vs. Junction Temperature

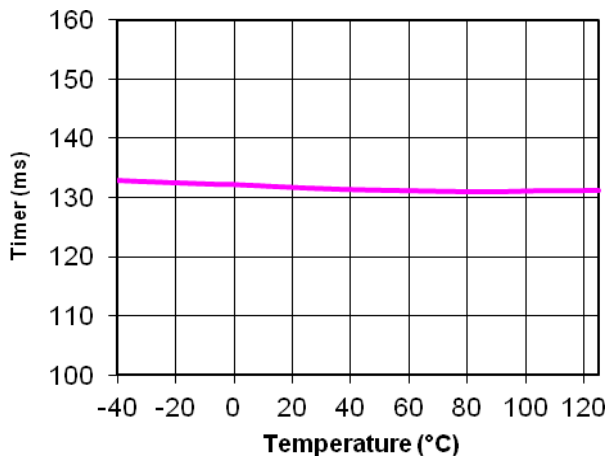


Figure 23. Timer vs. Junction Temperature

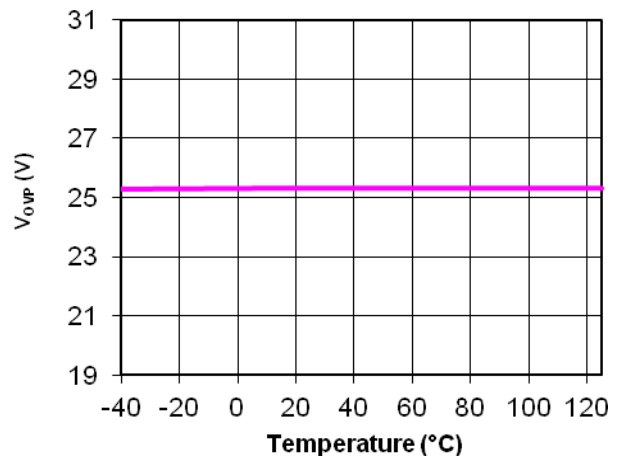


Figure 24. V<sub>OVP</sub> vs. Junction Temperature

## APPLICATION INFORMATION

**Introduction**

The NCP1253 implements a standard current mode architecture where the switch-off event is dictated by the peak current setpoint. This component represents the ideal candidate where low part-count and cost effectiveness are the key parameters, particularly in low-cost ac-dc adapters, open-frame power supplies etc. Capitalizing on the NCP1200 series success, the NCP1253 brings all the necessary components normally needed in today modern power supply designs, bringing several enhancements such as a  $V_{CC}$  OVP or an adjustable slope compensation signal.

- Current-mode operation with internal ramp compensation: implementing peak current mode control at a fixed 65 kHz or 100 kHz frequency, the NCP1253 offers an internal ramp compensation signal that can easily be summed up to the sensed current. Sub harmonic oscillations can thus be compensated via the inclusion of a simple resistor in series with the current-sense information.
- Low startup current: reaching a low no-load standby power always represents a difficult exercise when the controller draws a significant amount of current during start-up. Thanks to its proprietary architecture, the NCP1253 is guaranteed to draw less than 15  $\mu$ A maximum, easing the design of low standby power adapters.
- EMI jittering: an internal low-frequency modulation signal varies the pace at which the oscillator frequency is modulated. This helps spreading out energy in conducted noise analysis. To improve the EMI signature at low power levels, the jittering will not be disabled in frequency foldback mode (light load conditions).
- Frequency foldback capability: a continuous flow of pulses is not compatible with no-load/light-load standby power requirements. To excel in this domain, the controller observes the feedback pin and when it reaches a level of 1.5 V, the oscillator then starts to reduce its switching frequency as the feedback level continues to decrease. When the feedback pin reaches 1.05 V, the peak current setpoint is internally frozen and the frequency continues to decrease. It can go down to 26 kHz (typical) reached for a feedback level of 350 mV roughly. At this

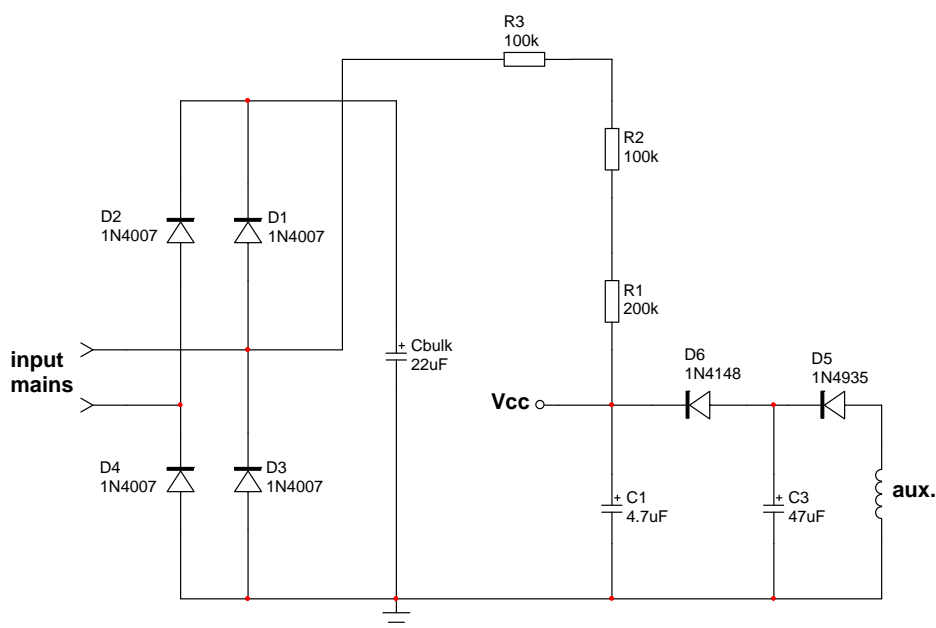
point, if the power continues to drop, the controller enters classical skip-cycle mode.

- Internal soft-start: a soft-start precludes the main power switch from being stressed upon start-up. In this controller, the soft-start is internally fixed to 4 ms. Soft-start is activated when a new startup sequence occurs or during an auto-recovery hiccup.
- Latched OVP on  $V_{CC}$ : it is sometimes interesting to implement a circuit protection by sensing the  $V_{CC}$  level. This is what NCP1253 does by monitoring its  $V_{CC}$  pin. When the voltage on this pin exceeds 25.5 V typical, the pulses are immediately stopped and the part latches off. When the user cycles the  $V_{CC}$  down or the converter recovers from a brown-out event, the circuit is reset and the part enters a new start-up sequence.
- Short-circuit protection: short-circuit and especially over-load protections are difficult to implement when a strong leakage inductance between auxiliary and power windings affects the transformer (the aux winding level does not properly collapse in presence of an output short). Here, every time the internal 0.8 V maximum peak current limit is activated, an error flag is asserted and a time period starts, thanks to an internal timer. When the fault is validated, all pulses are stopped and the controller enters an auto-recovery burst mode, with a soft-start sequence at the beginning of each cycle. As soon as the fault disappears, the SMPS resumes operation. Please note that some version offers an auto-recovery mode as we just described, some do not and latch off in case of a short circuit.

**Start-up Sequence**

The NCP1253 start-up voltage is made purposely high to permit large energy storage in a small  $V_{CC}$  capacitor value. This helps to operate with a small start-up current which, together with a small  $V_{CC}$  capacitor, will not hamper the start-up time. To further reduce the standby power, the start-up current of the controller is extremely low, below 15  $\mu$ A. The start-up resistor can therefore be connected to the bulk capacitor or directly to the mains input voltage if you wish to save a few more mW.

## NCP1253



**Figure 25. The Startup Resistor Can Be Connected to the Input Mains for Further Power Dissipation Reduction**

The first step starts with the calculation of the needed  $V_{CC}$  capacitor which will supply the controller until the auxiliary winding takes over. Experience shows that this time  $t_1$  can be between 5 and 20 ms. Considering that we need at least an energy reservoir for a  $t_1$  time of 10 ms, the  $V_{CC}$  capacitor must be larger than:

$$CV_{CC} \geq \frac{I_{CC}t_1}{V_{CC_{on}} - V_{CC_{min}}} \geq \frac{3m \times 10m}{9} \geq 3.3 \mu F \quad (\text{eq. 1})$$

Let us select a 4.7  $\mu F$  capacitor at first and experiments in the laboratory will let us know if we were too optimistic for  $t_1$ . The  $V_{CC}$  capacitor being known, we can now evaluate the charging current we need to bring the  $V_{CC}$  voltage from 0 to the  $V_{CC_{on}}$  of the IC, 18 V typical. This current has to be selected to ensure a start-up at the lowest mains (85 V rms) to be less than 3 s (2.5 s for design margin):

$$I_{\text{charge}} \geq \frac{V_{CC_{on}}C_{VCC}}{2.5} \geq \frac{18 \times 4.7\mu}{2.5} \geq 34 \mu A \quad (\text{eq. 2})$$

If we account for the 15  $\mu A$  that will flow inside the controller, then the total charging current delivered by the start-up resistor must be 49  $\mu A$ . If we connect the start-up network to the mains (half-wave connection then), we know that the average current flowing into this start-up resistor will be the smallest when  $V_{CC}$  reaches the  $V_{CC_{on}}$  of the controller:

If we account for the 15  $\mu A$  that will flow inside the controller, then the total charging current delivered by the start-up resistor must be 49  $\mu A$ . If we connect the start-up network to the mains (half-wave connection then), we know that the average current flowing into this start-up resistor will be the smallest when  $V_{CC}$  reaches the  $V_{CC_{on}}$  of the controller:

$$I_{CVCC, \text{min}} = \frac{V_{ac, \text{rms}}\sqrt{2}}{\pi} - V_{CC_{on}} \quad (\text{eq. 3})$$

To make sure this current is always greater than 49  $\mu A$ , the maximum value for  $R_{\text{start-up}}$  can be extracted:

$$R_{\text{start-up}} \leq \frac{V_{ac, \text{rms}}\sqrt{2}}{\pi} - V_{CC_{on}} \leq \frac{85 \times 1.414}{\pi} - 18 \leq 413 \text{ k}\Omega \quad (\text{eq. 4})$$

This calculation is purely theoretical, considering a constant charging current. In reality, the take over time can be shorter (or longer!) and it can lead to a reduction of the  $V_{CC}$  capacitor. This brings a decrease in the charging current and an increase of the start-up resistor, for the benefit of standby power. Laboratory experiments on the prototype are thus mandatory to fine tune the converter. If we chose the 400k resistor as suggested by Equation 4, the dissipated power at high line amounts to:

$$P_{R_{\text{start-up, max}}} = \frac{V_{ac, \text{peak}}^2}{4R_{\text{start-up}}} = \frac{(320 \times \sqrt{2})^2}{4 \times 400k} = \frac{105k}{1.6\text{Meg}} \quad (\text{eq. 5})$$

$$= 66 \text{ mW}$$

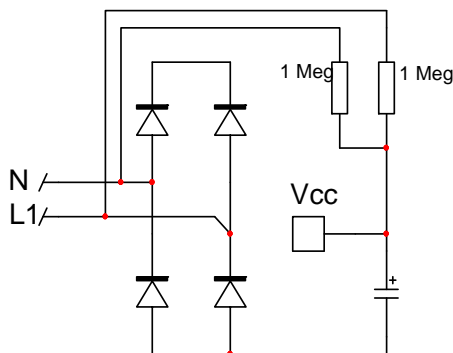
Now that the first  $V_{CC}$  capacitor has been selected, we must ensure that the self-supply does not disappear when in no-load conditions. In this mode, the skip-cycle can be so deep that refreshing pulses are likely to be widely spaced, inducing a large ripple on the  $V_{CC}$  capacitor. If this ripple is too large, chances exist to touch the  $V_{CC_{min}}$  and reset the controller into a new start-up sequence. A solution is to grow this capacitor but it will obviously be detrimental to the start-up time. The option offered in Figure 25 elegantly

solves this potential issue by adding an extra capacitor on the auxiliary winding. However, this component is separated from the  $V_{CC}$  pin via a simple diode. You therefore have the ability to grow this capacitor as you need to ensure the self-supply of the controller without jeopardizing the start-up time and standby power.

**Triggering the SCR**

The latched-state of the NCP1253 is maintained via an internal thyristor (SCR). When the voltage on the  $V_{CC}$  pin exceeds the internal latch voltage, the SCR is fired and immediately stops the output pulses. When this happens, all pulses are stopped and  $V_{CC}$  is discharged to a fix level of 7 V typically: the circuit is latched and the converter no longer delivers pulses. To maintain the latched-state, a permanent current must be injected in the part. If too low of a current, the part de-latches and the converter resumes operation. This current is characterized to 32  $\mu\text{A}$  as a minimum but we recommend including a design margin and select a value around 60  $\mu\text{A}$ . The test is to latch the part and reduce the input voltage until it de-latches. If you de-latch at  $V_{in} = 70 \text{ Vrms}$  for a minimum voltage of 85 Vrms, you are fine. If it precociously recovers, you will have to increase the start-up current, unfortunately to the detriment of standby power.

The most sensitive configuration is actually that of the half-wave connection proposed in Figure 25. As the current disappears 5 ms for a 10 ms period (50 Hz input source), the latch can potentially open at low line. If you really reduce the start-up current for a low standby power design, you must ensure enough current in the SCR in case of a faulty event. An alternate connection to the above is shown below (Figure 26):



**Figure 26. The Full-wave Connection Ensures Latch Current Continuity as well as a X2-Discharge Path.**

In this case, the current is no longer made of 5 ms “holes” and the part can be maintained at a low input voltage. Experiments show that these 2 M $\Omega$  resistor help to maintain the latch down to less than 50 Vrms, giving an excellent design margin. Standby power with this approach was also improved compared to Figure 25 solution. Please note that these resistors also ensure the discharge of the X2-capacitor up to a 0.47  $\mu\text{F}$  type.

The de-latch of the SCR occurs when the injected current in the  $V_{CC}$  pin falls below the minimum stated in the data-sheet (32  $\mu\text{A}$  at room temp).

**Frequency Foldback**

The reduction of no-load standby power associated with the need for improving the efficiency, requires a change in the traditional fixed-frequency type of operation. This controller implements a switching frequency foldback when the feedback voltage passes below a certain level,  $V_{fold}$ , set around 1.5 V. At this point, the oscillator enters frequency foldback and reduces its switching frequency. The peak current setpoint is following the feedback pin until its level reaches 1.05 V. Below this value, the peak current freezes to  $V_{fold}/4.2$  (250 mV or 31% of the maximum 0.8-V setpoint) and the only way to further reduce the transmitted power is to diminish the operating frequency down to 26 kHz. This value is reached at a feedback voltage level of 350 mV typically. Below this point, if the output power continues to decrease, the part enters skip cycle for the best noise-free performance in no-load conditions. depicts the adopted scheme for the part.

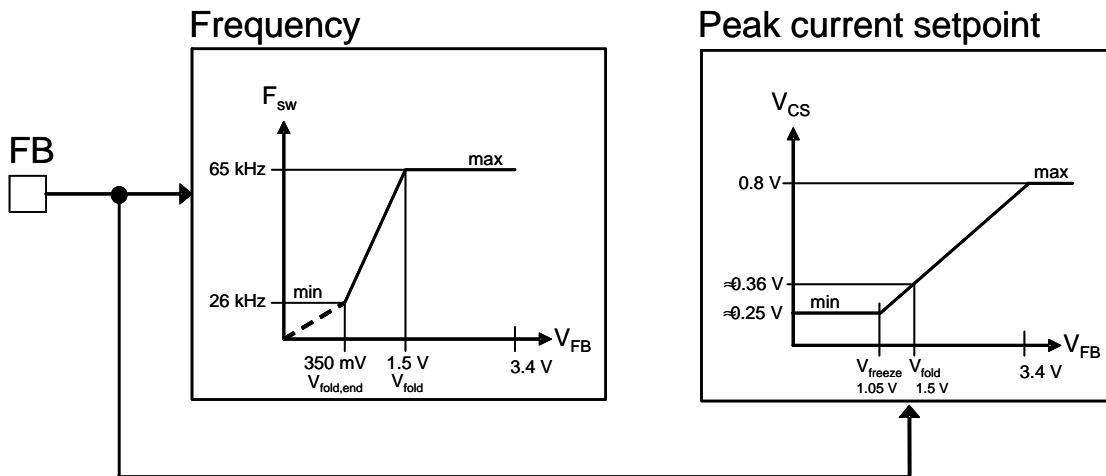


Figure 27. By Observing the Voltage on the Feedback Pin, the Controller Reduces its Switching Frequency for an Improved Performance at Light Load

**Auto-recovery Short-Circuit Protection**

In case of output short-circuit or if the power supply experiences a severe overloading situation, an internal error flag is raised and starts a countdown timer. If the flag is asserted longer than 100 ms, the driving pulses are stopped and  $V_{CC}$  falls down as the auxiliary pulses are missing. When it crosses  $V_{CC(min)}$ , the controller consumption is down to a few  $\mu A$  and the  $V_{CC}$  slowly builds up again thanks

to the resistive starting network. When  $V_{CC}$  reaches  $V_{CCON}$ , the controller attempts to re-start, checking for the absence of the fault. If the fault is still there, the supply enters another cycle of so-called hiccup. If the fault has disappeared, the power supply resumes operations. Please note that the soft-start is activated during each of the re-start sequence.

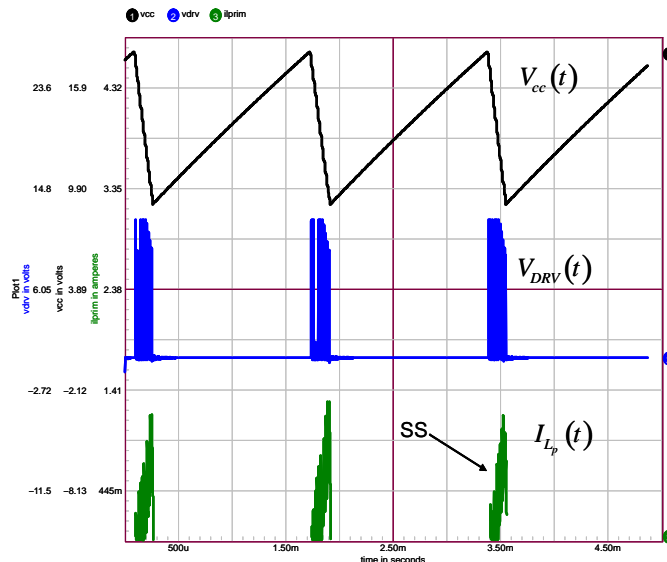


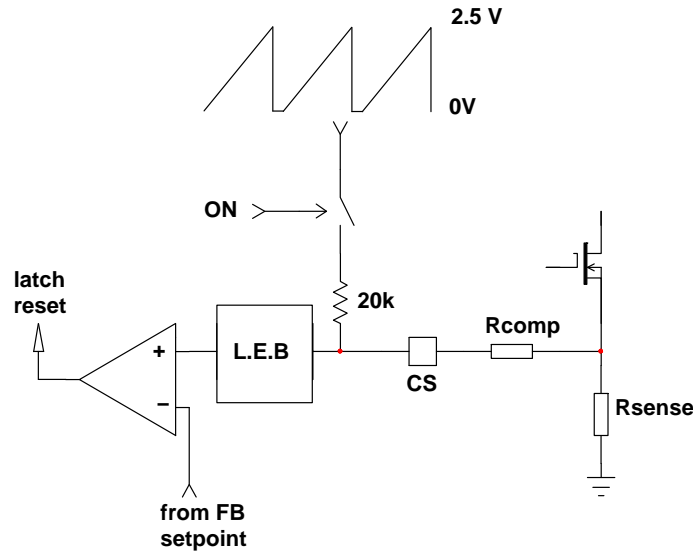
Figure 28. An Auto-Recovery Hiccup Mode is Entered in Case a Faulty Event Longer Than 100 ms is Acknowledged by the Controller

**Ramp compensation**

The NCP1253 includes an internal ramp compensation signal. This is the buffered oscillator clock delivered during the on time only. Its amplitude is around 2.5 V at the maximum duty-cycle. Ramp compensation is a known means used to cure sub harmonic oscillations in

CCM-operated current-mode converters. These oscillations take place at half the switching frequency and occur only during Continuous Conduction Mode (CCM) with a duty-cycle greater than 50%. To lower the current loop gain, one usually injects between 50% and 100% of the inductor downslope.

## NCP1253



**Figure 29. Inserting a Resistor in Series with the Current Sense Information Brings Ramp Compensation and Stabilizes the Converter in CCM Operation**

In the NCP1253 controller, the oscillator ramp features a 2.5 V swing. If the clock operates at a 65 kHz frequency, then the available oscillator slope corresponds to:

$$S_{\text{ramp}} = \frac{V_{\text{ramp,peak}} D_{\text{max}}}{T_{\text{SW}}} = \frac{2.5 \times 0.8}{15\mu} \quad (\text{eq. 6})$$

$$= 133 \text{ kV/s or } 133 \text{ mV}/\mu\text{s}$$

In our flyback design, let's assume that our primary inductance  $L_p$  is 770  $\mu\text{H}$ , and the SMPS delivers 19 V with a  $N_p:N_s$  ratio of 1:0.25. The off-time primary current slope  $S_p$  is thus given by:

$$S_p = \frac{(V_{\text{out}} + V_f) \frac{N_s}{N_p}}{L_p} = \frac{(19 + 0.8) \times 4}{770\mu} = 103 \text{ kA/s} \quad (\text{eq. 7})$$

Given a sense resistor of 330 m $\Omega$ , the above current ramp turns into a voltage ramp of the following amplitude:

$$S_{\text{sense}} = S_p R_{\text{sense}} = 103\text{k} \times 0.33 \quad (\text{eq. 8})$$

$$= 34 \text{ kV/s or } 34 \text{ mV}/\mu\text{s}$$

If we select 50% of the downslope as the required amount of ramp compensation, then we shall inject a ramp whose slope is 17 mV/ $\mu\text{s}$ . Our internal compensation being of 133 mV/ $\mu\text{s}$ , the divider ratio (*divratio*) between  $R_{\text{comp}}$  and the internal 20 k $\Omega$  resistor is:

$$\text{divratio} = \frac{17\text{m}}{133\text{m}} = 0.127 \quad (\text{eq. 9})$$

The series compensation resistor value is thus:

$$R_{\text{comp}} = R_{\text{ramp}} \text{divratio} = 20\text{k} \times 0.127 \approx 2.5 \text{ k}\Omega \quad (\text{eq. 10})$$

A resistor of the above value will then be inserted from the sense resistor to the current sense pin. We recommend adding a small 100 pF capacitor, from the current sense pin to the controller ground for improved noise immunity. Please make sure both components are located very close to the controller.

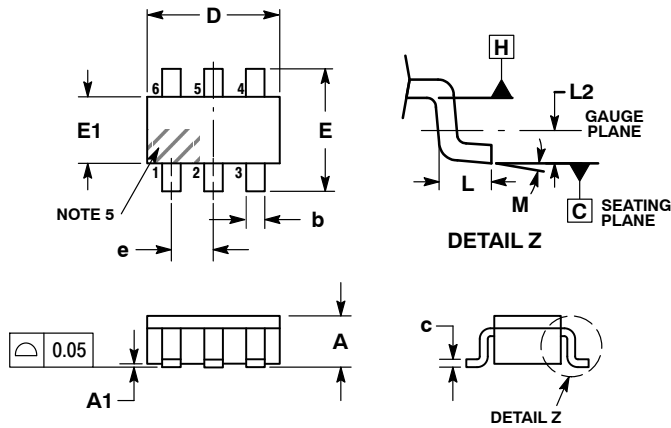
# MECHANICAL CASE OUTLINE PACKAGE DIMENSIONS



SCALE 2:1

## TSOP-6 CASE 318G-02 ISSUE V

DATE 12 JUN 2012



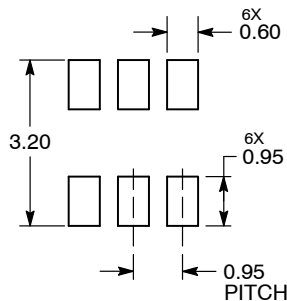
NOTES:

1. DIMENSIONING AND TOLERANCING PER ASME Y14.5M, 1994.
2. CONTROLLING DIMENSION: MILLIMETERS.
3. MAXIMUM LEAD THICKNESS INCLUDES LEAD FINISH. MINIMUM LEAD THICKNESS IS THE MINIMUM THICKNESS OF BASE MATERIAL.
4. DIMENSIONS D AND E1 DO NOT INCLUDE MOLD FLASH, PROTRUSIONS, OR GATE BURRS. MOLD FLASH, PROTRUSIONS, OR GATE BURRS SHALL NOT EXCEED 0.15 PER SIDE. DIMENSIONS D AND E1 ARE DETERMINED AT DATUM H.
5. PIN ONE INDICATOR MUST BE LOCATED IN THE INDICATED ZONE.

| DIM | MILLIMETERS |      |      |
|-----|-------------|------|------|
|     | MIN         | NOM  | MAX  |
| A   | 0.90        | 1.00 | 1.10 |
| A1  | 0.01        | 0.06 | 0.10 |
| b   | 0.25        | 0.38 | 0.50 |
| c   | 0.10        | 0.18 | 0.26 |
| D   | 2.90        | 3.00 | 3.10 |
| E   | 2.50        | 2.75 | 3.00 |
| E1  | 1.30        | 1.50 | 1.70 |
| e   | 0.85        | 0.95 | 1.05 |
| L   | 0.20        | 0.40 | 0.60 |
| L2  | 0.25 BSC    |      |      |
| M   | 0°          | -    | 10°  |

- |  |  |   |   |   |  |
|--|--|---|---|---|--|
| <p>STYLE 1:<br/>PIN 1. DRAIN<br/>2. DRAIN<br/>3. GATE<br/>4. SOURCE<br/>5. DRAIN<br/>6. DRAIN</p>              | <p>STYLE 2:<br/>PIN 1. EMITTER 2<br/>2. BASE 1<br/>3. COLLECTOR 1<br/>4. EMITTER 1<br/>5. BASE 2<br/>6. COLLECTOR 2</p>    | <p>STYLE 3:<br/>PIN 1. ENABLE<br/>2. N/C<br/>3. R BOOST<br/>4. Vz<br/>5. V in<br/>6. V out</p>                            | <p>STYLE 4:<br/>PIN 1. N/C<br/>2. V in<br/>3. NOT USED<br/>4. GROUND<br/>5. ENABLE<br/>6. LOAD</p>                | <p>STYLE 5:<br/>PIN 1. EMITTER 2<br/>2. BASE 2<br/>3. COLLECTOR 1<br/>4. EMITTER 1<br/>5. BASE 1<br/>6. COLLECTOR 2</p> | <p>STYLE 6:<br/>PIN 1. COLLECTOR<br/>2. COLLECTOR<br/>3. BASE<br/>4. EMITTER<br/>5. COLLECTOR<br/>6. COLLECTOR</p> |
| <p>STYLE 7:<br/>PIN 1. COLLECTOR<br/>2. COLLECTOR<br/>3. BASE<br/>4. N/C<br/>5. COLLECTOR<br/>6. EMITTER</p>   | <p>STYLE 8:<br/>PIN 1. Vbus<br/>2. D(in)<br/>3. D(in)+<br/>4. D(out)+<br/>5. D(out)<br/>6. GND</p>                         | <p>STYLE 9:<br/>PIN 1. LOW VOLTAGE GATE<br/>2. DRAIN<br/>3. SOURCE<br/>4. DRAIN<br/>5. DRAIN<br/>6. HIGH VOLTAGE GATE</p> | <p>STYLE 10:<br/>PIN 1. D(OUT)+<br/>2. GND<br/>3. D(OUT)-<br/>4. D(IN)-<br/>5. VBUS<br/>6. D(IN)+</p>             | <p>STYLE 11:<br/>PIN 1. SOURCE 1<br/>2. DRAIN 2<br/>3. DRAIN 2<br/>4. SOURCE 2<br/>5. GATE 1<br/>6. DRAIN 1/GATE 2</p>  | <p>STYLE 12:<br/>PIN 1. I/O<br/>2. GROUND<br/>3. I/O<br/>4. I/O<br/>5. VCC<br/>6. I/O</p>                          |
| <p>STYLE 13:<br/>PIN 1. GATE 1<br/>2. SOURCE 2<br/>3. GATE 2<br/>4. DRAIN 2<br/>5. SOURCE 1<br/>6. DRAIN 1</p> | <p>STYLE 14:<br/>PIN 1. ANODE<br/>2. SOURCE<br/>3. GATE<br/>4. CATHODE/DRAIN<br/>5. CATHODE/DRAIN<br/>6. CATHODE/DRAIN</p> | <p>STYLE 15:<br/>PIN 1. ANODE<br/>2. SOURCE<br/>3. GATE<br/>4. DRAIN<br/>5. N/C<br/>6. CATHODE</p>                        | <p>STYLE 16:<br/>PIN 1. ANODE/CATHODE<br/>2. BASE<br/>3. EMITTER<br/>4. COLLECTOR<br/>5. ANODE<br/>6. CATHODE</p> | <p>STYLE 17:<br/>PIN 1. EMITTER<br/>2. BASE<br/>3. ANODE/CATHODE<br/>4. ANODE<br/>5. CATHODE<br/>6. COLLECTOR</p>       |  |

### RECOMMENDED SOLDERING FOOTPRINT\*



DIMENSIONS: MILLIMETERS

\*For additional information on our Pb-Free strategy and soldering details, please download the ON Semiconductor Soldering and Mounting Techniques Reference Manual, SOLDERRM/D.

### GENERIC MARKING DIAGRAM\*



IC

STANDARD

- |                            |                            |
|----------------------------|----------------------------|
| XXX = Specific Device Code | XXX = Specific Device Code |
| A = Assembly Location      | M = Date Code              |
| Y = Year                   | ▪ = Pb-Free Package        |
| W = Work Week              |                            |
| ▪ = Pb-Free Package        |                            |

\*This information is generic. Please refer to device data sheet for actual part marking. Pb-Free indicator, "G" or microdot "▪", may or may not be present. Some products may not follow the Generic Marking.

|                  |             |  |
|------------------|-------------|--|
| DOCUMENT NUMBER: | 98ASB14888C | Electronic versions are uncontrolled except when accessed directly from the Document Repository. Printed versions are uncontrolled except when stamped "CONTROLLED COPY" in red. |
| DESCRIPTION:     | TSOP-6      | PAGE 1 OF 1  |

onsemi and onsemi are trademarks of Semiconductor Components Industries, LLC dba onsemi or its subsidiaries in the United States and/or other countries. onsemi reserves the right to make changes without further notice to any products herein. onsemi makes no warranty, representation or guarantee regarding the suitability of its products for any particular purpose, nor does onsemi assume any liability arising out of the application or use of any product or circuit, and specifically disclaims any and all liability, including without limitation special, consequential or incidental damages. onsemi does not convey any license under its patent rights nor the rights of others.

**onsemi**, **Onsemi**, and other names, marks, and brands are registered and/or common law trademarks of Semiconductor Components Industries, LLC dba "**onsemi**" or its affiliates and/or subsidiaries in the United States and/or other countries. **onsemi** owns the rights to a number of patents, trademarks, copyrights, trade secrets, and other intellectual property. A listing of **onsemi**'s product/patent coverage may be accessed at [www.onsemi.com/site/pdf/Patent-Marking.pdf](http://www.onsemi.com/site/pdf/Patent-Marking.pdf). **onsemi** reserves the right to make changes at any time to any products or information herein, without notice. The information herein is provided "as-is" and **onsemi** makes no warranty, representation or guarantee regarding the accuracy of the information, product features, availability, functionality, or suitability of its products for any particular purpose, nor does **onsemi** assume any liability arising out of the application or use of any product or circuit, and specifically disclaims any and all liability, including without limitation special, consequential or incidental damages. Buyer is responsible for its products and applications using **onsemi** products, including compliance with all laws, regulations and safety requirements or standards, regardless of any support or applications information provided by **onsemi**. "Typical" parameters which may be provided in **onsemi** data sheets and/or specifications can and do vary in different applications and actual performance may vary over time. All operating parameters, including "Typicals" must be validated for each customer application by customer's technical experts. **onsemi** does not convey any license under any of its intellectual property rights nor the rights of others. **onsemi** products are not designed, intended, or authorized for use as a critical component in life support systems or any FDA Class 3 medical devices or medical devices with a same or similar classification in a foreign jurisdiction or any devices intended for implantation in the human body. Should Buyer purchase or use **onsemi** products for any such unintended or unauthorized application, Buyer shall indemnify and hold **onsemi** and its officers, employees, subsidiaries, affiliates, and distributors harmless against all claims, costs, damages, and expenses, and reasonable attorney fees arising out of, directly or indirectly, any claim of personal injury or death associated with such unintended or unauthorized use, even if such claim alleges that **onsemi** was negligent regarding the design or manufacture of the part. **onsemi** is an Equal Opportunity/Affirmative Action Employer. This literature is subject to all applicable copyright laws and is not for resale in any manner.

## PUBLICATION ORDERING INFORMATION

### LITERATURE FULFILLMENT:

Email Requests to: [orderlit@onsemi.com](mailto:orderlit@onsemi.com)

**onsemi Website:** [www.onsemi.com](http://www.onsemi.com)

### TECHNICAL SUPPORT

**North American Technical Support:**

Voice Mail: 1 800-282-9855 Toll Free USA/Canada

Phone: 011 421 33 790 2910

**Europe, Middle East and Africa Technical Support:**

Phone: 00421 33 790 2910

For additional information, please contact your local Sales Representative