

# CGA6J2C0G2A153J125AA

TDK Item Description : CGA6J2C0G2A153JT\*\*\*



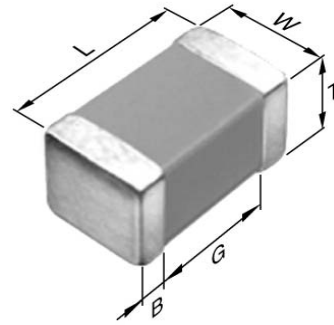
Equivalent C3225C0G2A153J for Automotive

## Application & Main Feature

Automotive Grade ( Mid Voltage (100 to 630V) )

## Series

CGA6(3225) [EIA CC1210]



## Dimensions

L 3.20mm +/-0.4mm  
 W 2.50mm +/-0.3mm  
 T 1.25mm +/-0.2mm  
 B 0.20mm Min.  
 G

## Temperature Characteristic

C0G (-55 to 125 degC 0+/-30ppm/degC)

## Rated Voltage

2A (100Vdc)

## Capacitance

15nF

## Capacitance Tolerance

J (+/-5%)

## Q Factor

1000 Min.

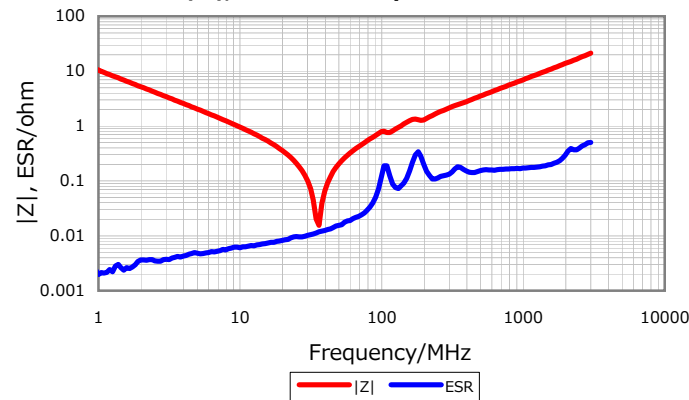
## Insulation Resistance

10Gohm Min.

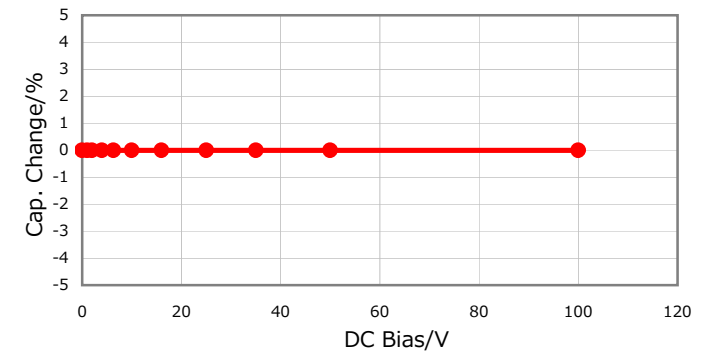
## AEC-Q200

Yes

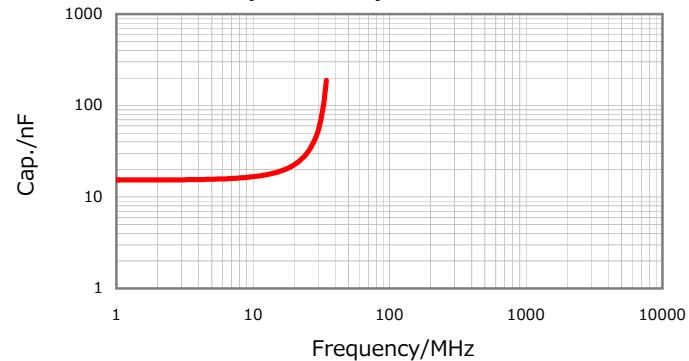
**|Z|, ESR vs. Freq. Characteristics**



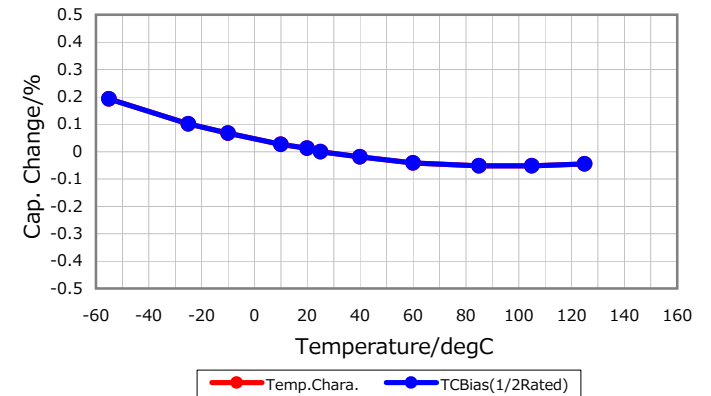
**DC Bias Characteristic**



**Cap. vs. Freq. Characteristic**



**Temperature Characteristics**



Characterization Sheet ( Multilayer Ceramic Chip Capacitors )



All specifications are subject to change without notice.

January 4, 2016