

4.0W CLASS-G AUDIO AMPLIFIER WITH INTEGRATED BOOST CONVERTER AND BATTERY TRACKING AGC
Description

The PAM8945 is a high-efficiency Class-G audio power amplifier with an integrated boost converter. It drives up to 4.0W (10% THD+N) into a 4Ω speaker. With 85% typical efficiency, the PAM8945 helps extend battery life when playing audio.

The built-in boost converter generates the voltage rail for the output stage. This provides a louder audio output than a stand-alone amplifier connected directly to the battery. It also maintains a consistent loudness, regardless of battery voltage.

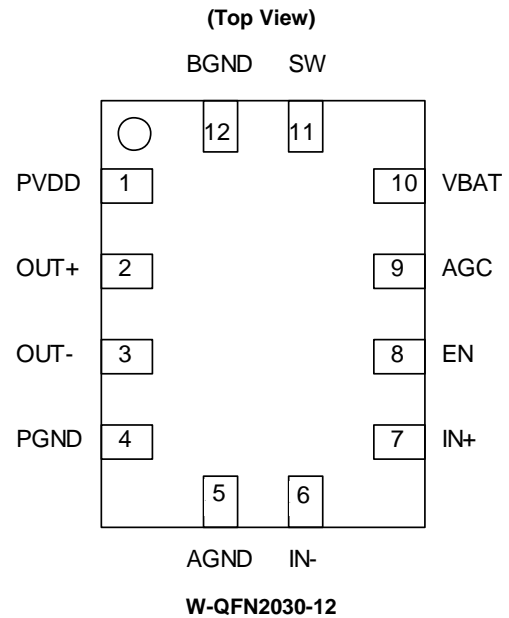
The PAM8945 features battery tracking AGC function which adjusts the amplifier gain to limit battery current at lower battery voltage.

The PAM8945 features DC input protection and all outputs are fully protected against output-to-output shorts. The PAM8945 is available in tiny W-QFN2030-12 package.

Features

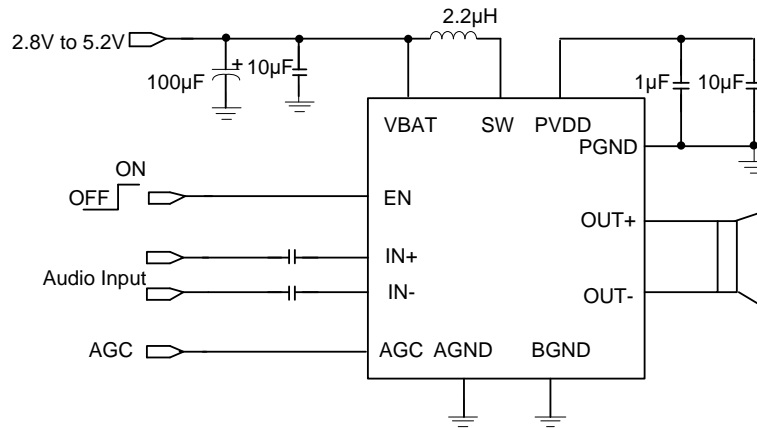
- Built-in Battery Tracking Automatic Gain Control (AGC)
- High-Efficiency Integrated Boost Converter Over 85%
- 4.0W into a 4Ω Load at 10% THD
- 3.2W into a 4Ω Load at 1% THD
- Operates from 2.8V to 5.2V
- Efficient Class-G Prolongs Battery Life
- Minimized ON/OFF Pop Noise
- Superior Low Noise
- High PSRR
- DC Input Protection
- Auto-Recovery Short-Circuit Protection
- Thermal Shutdown
- Available in 2.0mm x 3.0mm 12L W-QFN Package
- **Totally Lead-Free & Fully RoHS Compliant (Notes 1 & 2)**
- **Halogen and Antimony Free. "Green" Device (Note 3)**
- **For automotive applications requiring specific change control (i.e. parts qualified to AEC-Q100/101/104/200, PPAP capable, and manufactured in IATF 16949 certified facilities), please [contact us](mailto:contact@diodes.com) or your local Diodes representative. <https://www.diodes.com/quality/product-definitions/>**

Notes: 1. No purposely added lead. Fully EU Directive 2002/95/EC (RoHS), 2011/65/EU (RoHS 2) & 2015/863/EU (RoHS 3) compliant.
 2. See <https://www.diodes.com/quality/lead-free/> for more information about Diodes Incorporated's definitions of Halogen- and Antimony-free, "Green" and Lead-free.
 3. Halogen- and Antimony-free "Green" products are defined as those which contain <900ppm bromine, <900ppm chlorine (<1500ppm total Br + Cl) and <1000ppm antimony compounds.

Pin Assignments

Applications

- Cell phones
- PDA
- GPS
- Portable electronics
- Speakers

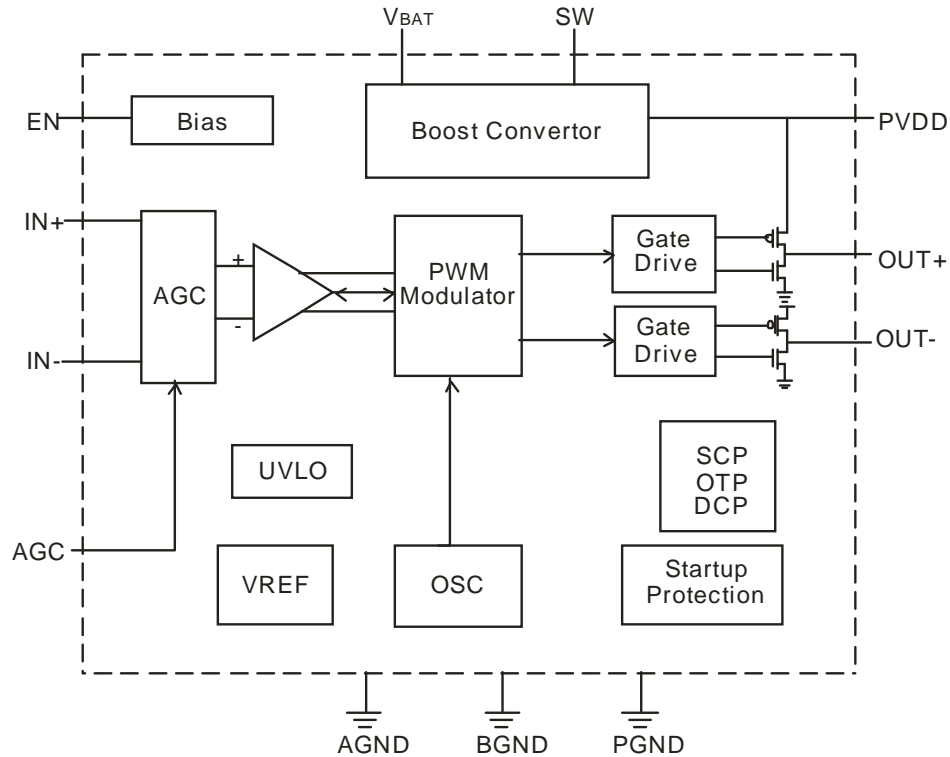
Typical Applications Circuit



Pin Descriptions

Pin Number	Pin Name	Description
1	PVDD	Boost Converter Output and Amplifier Power Supply
2	OUT+	Amplifier Positive Audio Output
3	OUT-	Amplifier Negative Audio Output
4	PGND	Power Ground
5	AGND	Analog Ground
6	IN-	Negative Audio Input
7	IN+	Positive Audio Input
8	EN	Shutdown Terminal for the Chip
9	AGC	AGC Setting Gain
10	VBAT	Supply Voltage
11	SW	Boost Converter Switching
12	BGND	Power Ground

Functional Block Diagram



Absolute Maximum Ratings (@ $T_A = +25^\circ\text{C}$, unless otherwise specified.)

Symbol	Parameter	Value	Unit
V_{BAT}	Supply Voltage	-0.3 to 6.0	V
V_I	Input Voltage, EN, IN+, IN-, AGC	-0.3 to $V_{BAT} + 0.3$	V
T_A	Operating Free-air Temperature Range	-40 to +85	$^\circ\text{C}$
T_J	Operating Junction Temperature Range	-40 to +150	$^\circ\text{C}$
T_{STG}	Storage Temperature Range	-65 to +150	$^\circ\text{C}$

Recommended Operating Conditions (@ $T_A = +25^\circ\text{C}$, unless otherwise specified.)

Symbol	Parameter	Min	Max	Unit
V_{BAT}	Supply Voltage	2.8	5.2	V
V_{IH}	High-Level Input Voltage	EN	V_{BAT}	V
V_{IL}	Low-Level Input Voltage	EN	0.6	V
T_A	Operating Free-Air Temperature	-40	+85	$^\circ\text{C}$

Thermal Information

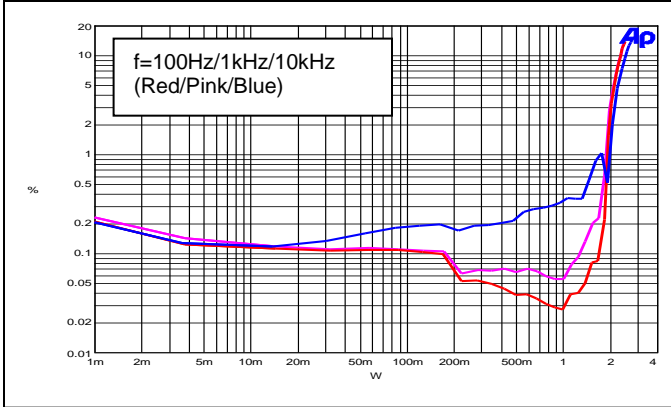
Symbol	Parameter	Package	Max	Unit
θ_{JA}	Thermal Resistance (Junction to Ambient)	W-QFN2030-12	62	$^\circ\text{C}/\text{W}$
θ_{Jc}	Thermal Resistance (Junction to Case)	W-QFN2030-12	11	

Electrical Characteristics (@V_{BAT}=3.6V, AGC=GND, T_A = +25°C, R_L=4Ω+33μH, unless otherwise specified.)

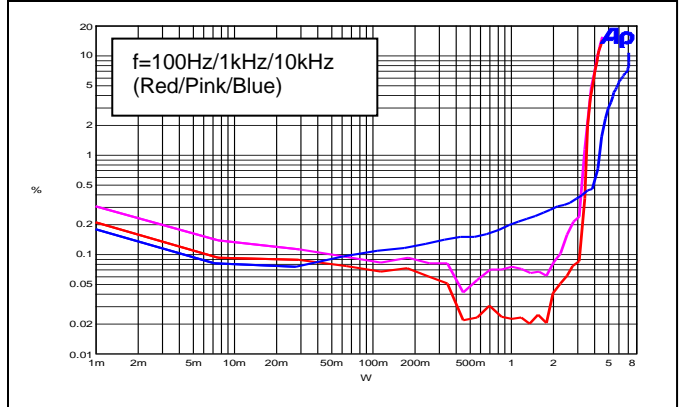
Symbol	Parameter	Test Conditions		Min	Typ	Max	Unit
V _{BAT}	Supply Voltage	—		2.8	—	5.2	V
P _O	Output Power	THD+N=10%, f=1kHz	V _{BAT} =3.6V	—	4.0	—	W
		THD+N=1%, f=1kHz		—	3.2	—	W
THD+N	Total Harmonic Distortion Plus Noise	P _O =1.0W, R _L =8Ω	f=1kHz	—	0.07	—	%
		P _O =2W, R _L =4Ω		—	0.15	—	
PSRR	Power Supply Ripple Rejection	V _{BAT} =3.6V, Input AC - ground with C=1μF	f=217Hz	—	70	—	dB
			f=1kHz	—	70	—	
			f=10kHz	—	67	—	
SNR	Signal-To-Noise Ratio	A-weighting	THD+N=1%	—	95	—	dB
V _{OP}	Peak Output Voltage	V _{BAT} =3.6V	f=1kHz	—	5.75	—	V
V _{O_TH}	Boost Converter Auto-Pass Through Threshold	—	—	—	2	—	V(PEAK)
V _N	Output Noise	Input AC-ground	No A-weighting	—	100	—	μV
			A-weighting	—	60	—	
η	Efficiency	R _L =8Ω, P _O =1W	f=1kHz	—	86	—	%
I _Q	Quiescent Current	V _{BAT} =3.6V	No Load	—	4	—	mA
I _{SD}	Shutdown Current	V _{BAT} =2.8V to 5.2V	EN=0V	—	—	1	μA
R _{DS(ON)}	Static Drain-to-Source On-State Resistor	High Side PMOS, I=500mA	V _{BAT} =5V	—	260	—	mΩ
		Low Side NMOS, I=500mA	V _{BAT} =5V	—	160	—	mΩ
f _{SW}	Switching Frequency	V _{BAT} =2.8V to 5.2V	Boost	—	1200	—	kHz
			Class D	—	300	—	
G _V	Closed-Loop Gain	—	—	—	20	—	dB
R _{IN}	Input Impedance	A _v =20dB	—	—	24	—	KΩ
V _{OS}	Output Offset Voltage	Input AC-ground	—	—	—	20	mV
I _{PEAK}	Converter SW Peak Current	V _{BAT} =3.6V	—	—	4	—	A
t _{ON}	Start-Up Time From EN	—	—	—	6	—	ms
V _{IH}	En Input High Voltage	V _{BAT} =5V	—	1.3	—	—	V
V _{IL}	En Input Low Voltage	V _{BAT} =5V	—	—	—	0.6	

Performance Characteristics (@ $V_{BAT}=3.6V$, $AGC=GND$, $T_A = +25^\circ C$, $R_L=8\ \Omega +33\mu H$, unless otherwise specified.)

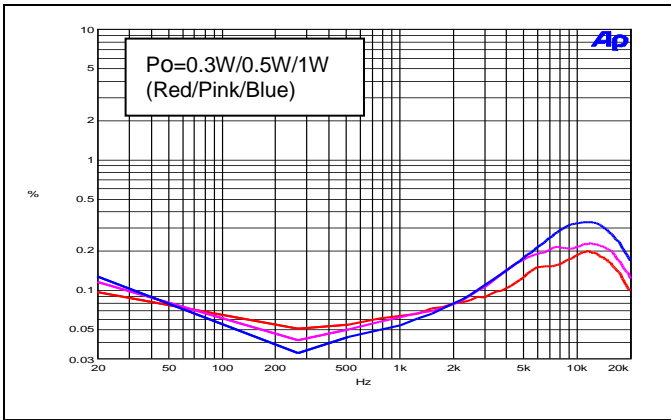
THD+N vs. Output Power ($R_L = 8\ \Omega$)



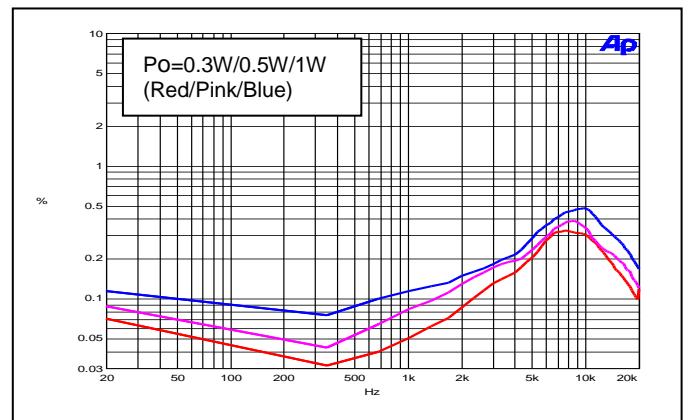
THD+N vs. Output Power ($R_L = 4\ \Omega$)



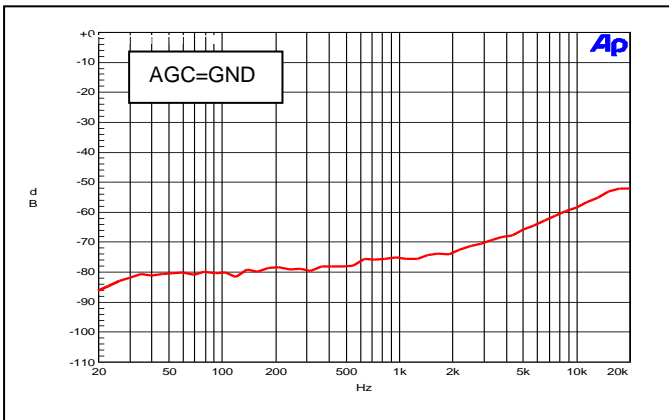
THD+N vs. Frequency ($R_L = 8\ \Omega$)



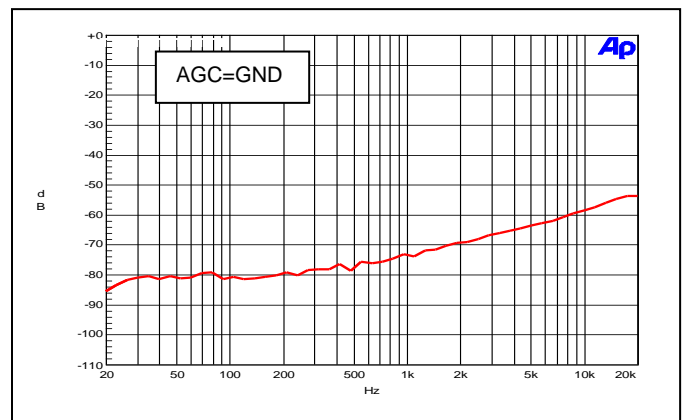
THD+N vs. Frequency ($R_L = 4\ \Omega$)



PSRR vs. Frequency ($R_L = 8\ \Omega$)

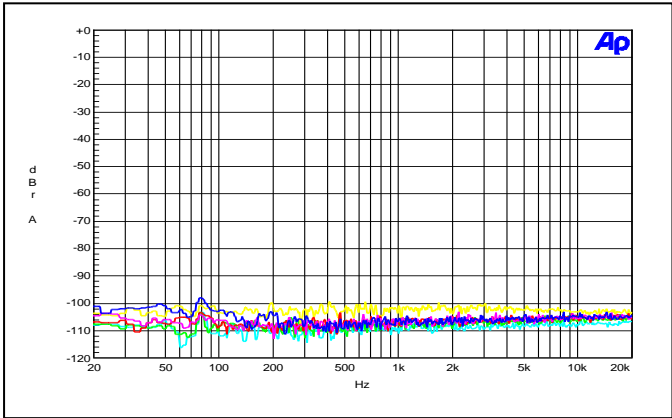


PSRR vs. Frequency ($R_L = 4\ \Omega$)

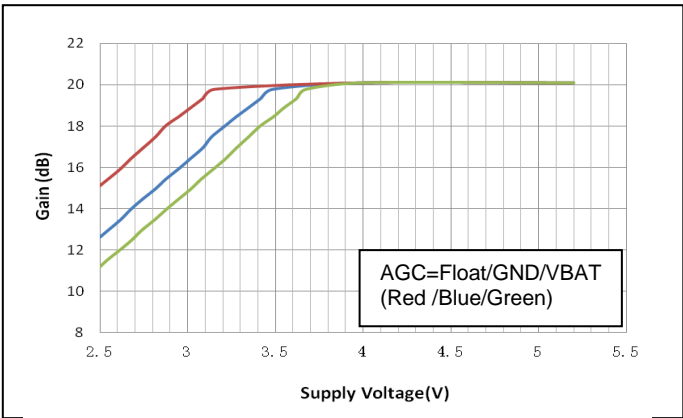


Performance Characteristics (@ $V_{BAT}=3.6V$, $AGC=GND$, $T_A = +25^\circ C$, $R_L=8\Omega+33\mu H$, unless otherwise specified.)

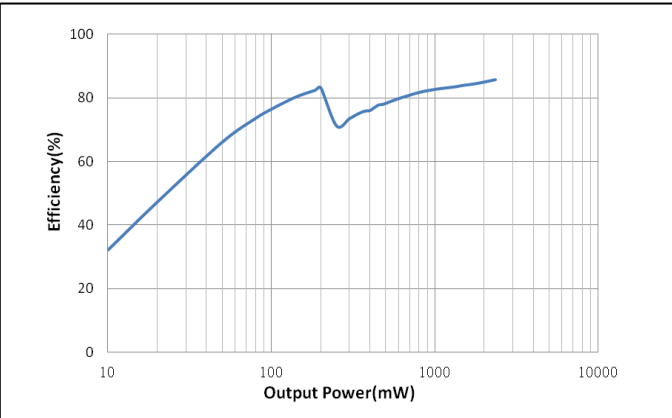
Noise Floor ($R_L = 8\Omega$)



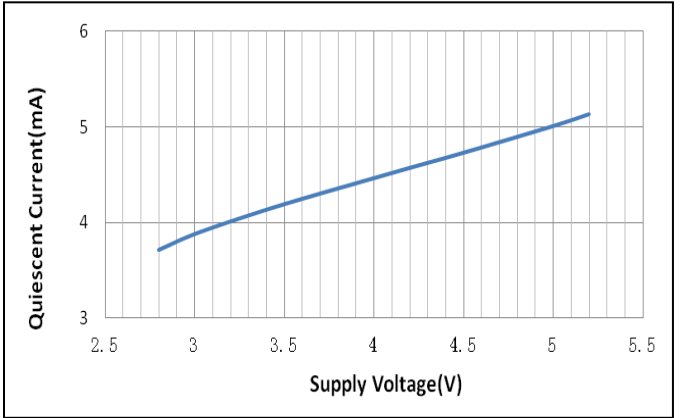
Gain vs. Supply Voltage



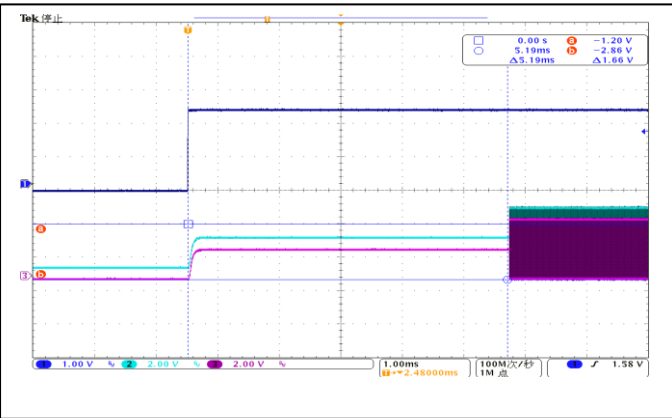
Efficiency vs. Output Power ($R_L = 8\Omega$)



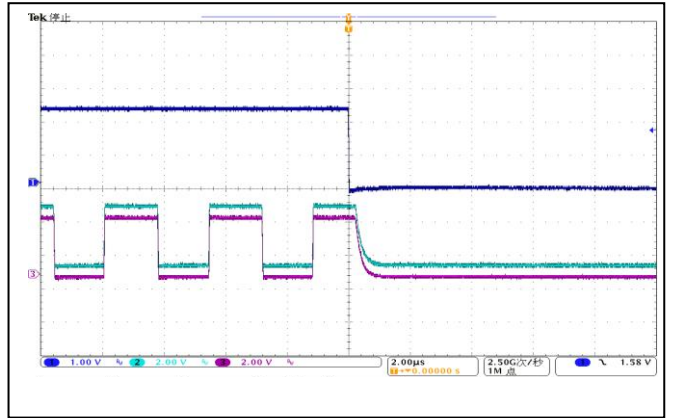
Quiescent Current vs. Supply Voltage



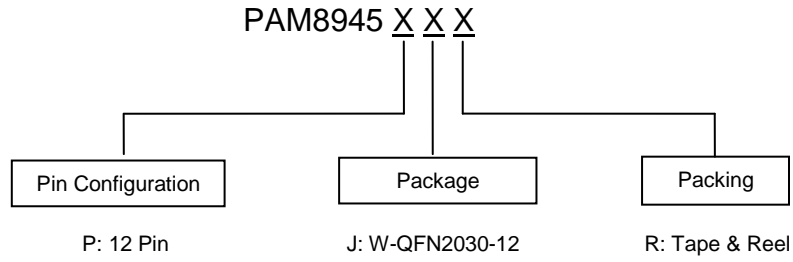
Start Up



Shutdown



Ordering Information (Note 4)



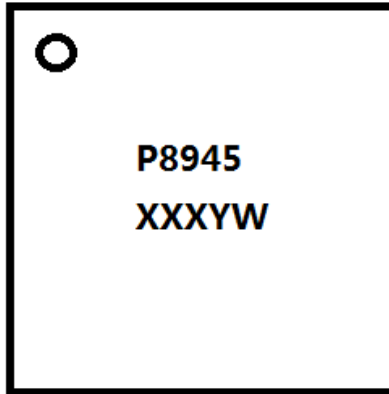
Orderable Part Number	Package	7" Tape and Reel		
		Quantity	Carrier	Part Number Suffix
PAM8945PJR	W-QFN2030-12	3,000	Tape & Reel	-7

Note: 4. For packaging details, go to our website at <https://www.diodes.com/design/support/packaging/diodes-packaging/>.

Marking Information

W-QFN2030-12

(Top View)

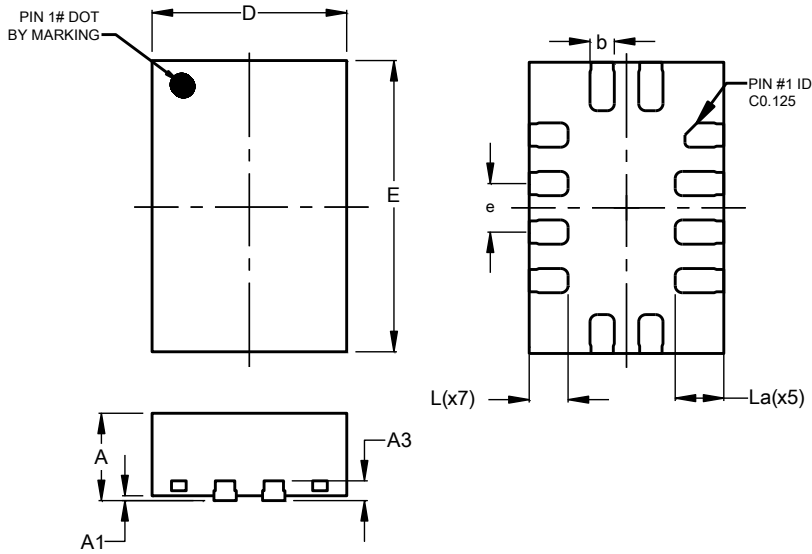


P8945: Product Code
 X: Internal Code
 Y: Year 0~9
 W: Week: A~Z: 1~26 weeks;
 a~z: 27~52 weeks; z
 represents 52 and 53 weeks.

Package Outline Dimensions

Please see <http://www.diodes.com/package-outlines.html> for the latest version.

W-QFN2030-12

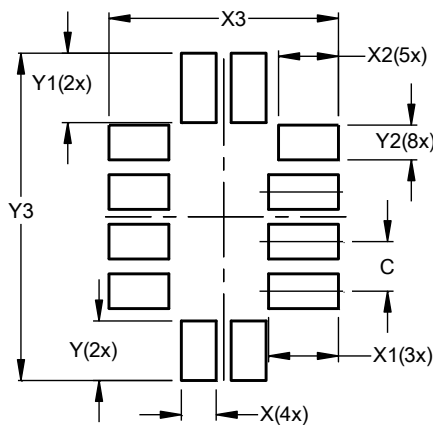


W-QFN2030-12			
Dim	Min	Max	Typ
A	0.700	0.800	0.750
A1	--	0.050	--
A3	0.203 REF		
b	0.200	0.300	0.250
D	1.950	2.050	2.000
E	2.950	3.050	3.000
e	0.500 BSC		
L	0.350	0.450	0.400
La	0.450	0.550	0.50
All Dimensions in mm			

Suggested Pad Layout

Please see <http://www.diodes.com/package-outlines.html> for the latest version.

W-QFN2030-12



Dimensions	Value (in mm)
C	0.500
X	0.350
X1	0.700
X2	0.600
X3	2.300
Y	0.600
Y1	0.700
Y2	0.350
Y3	3.300

IMPORTANT NOTICE

1. DIODES INCORPORATED (Diodes) AND ITS SUBSIDIARIES MAKE NO WARRANTY OF ANY KIND, EXPRESS OR IMPLIED, WITH REGARDS TO ANY INFORMATION CONTAINED IN THIS DOCUMENT, INCLUDING, BUT NOT LIMITED TO, THE IMPLIED WARRANTIES OF MERCHANTABILITY, FITNESS FOR A PARTICULAR PURPOSE OR NON-INFRINGEMENT OF THIRD PARTY INTELLECTUAL PROPERTY RIGHTS (AND THEIR EQUIVALENTS UNDER THE LAWS OF ANY JURISDICTION).
2. The Information contained herein is for informational purpose only and is provided only to illustrate the operation of Diodes' products described herein and application examples. Diodes does not assume any liability arising out of the application or use of this document or any product described herein. This document is intended for skilled and technically trained engineering customers and users who design with Diodes' products. Diodes' products may be used to facilitate safety-related applications; however, in all instances customers and users are responsible for (a) selecting the appropriate Diodes products for their applications, (b) evaluating the suitability of Diodes' products for their intended applications, (c) ensuring their applications, which incorporate Diodes' products, comply the applicable legal and regulatory requirements as well as safety and functional-safety related standards, and (d) ensuring they design with appropriate safeguards (including testing, validation, quality control techniques, redundancy, malfunction prevention, and appropriate treatment for aging degradation) to minimize the risks associated with their applications.
3. Diodes assumes no liability for any application-related information, support, assistance or feedback that may be provided by Diodes from time to time. Any customer or user of this document or products described herein will assume all risks and liabilities associated with such use, and will hold Diodes and all companies whose products are represented herein or on Diodes' websites, harmless against all damages and liabilities.
4. Products described herein may be covered by one or more United States, international or foreign patents and pending patent applications. Product names and markings noted herein may also be covered by one or more United States, international or foreign trademarks and trademark applications. Diodes does not convey any license under any of its intellectual property rights or the rights of any third parties (including third parties whose products and services may be described in this document or on Diodes' website) under this document.
5. Diodes' products are provided subject to Diodes' Standard Terms and Conditions of Sale (<https://www.diodes.com/about/company/terms-and-conditions/terms-and-conditions-of-sales/>) or other applicable terms. This document does not alter or expand the applicable warranties provided by Diodes. Diodes does not warrant or accept any liability whatsoever in respect of any products purchased through unauthorized sales channel.
6. Diodes' products and technology may not be used for or incorporated into any products or systems whose manufacture, use or sale is prohibited under any applicable laws and regulations. Should customers or users use Diodes' products in contravention of any applicable laws or regulations, or for any unintended or unauthorized application, customers and users will (a) be solely responsible for any damages, losses or penalties arising in connection therewith or as a result thereof, and (b) indemnify and hold Diodes and its representatives and agents harmless against any and all claims, damages, expenses, and attorney fees arising out of, directly or indirectly, any claim relating to any noncompliance with the applicable laws and regulations, as well as any unintended or unauthorized application.
7. While efforts have been made to ensure the information contained in this document is accurate, complete and current, it may contain technical inaccuracies, omissions and typographical errors. Diodes does not warrant that information contained in this document is error-free and Diodes is under no obligation to update or otherwise correct this information. Notwithstanding the foregoing, Diodes reserves the right to make modifications, enhancements, improvements, corrections or other changes without further notice to this document and any product described herein. This document is written in English but may be translated into multiple languages for reference. Only the English version of this document is the final and determinative format released by Diodes.
8. Any unauthorized copying, modification, distribution, transmission, display or other use of this document (or any portion hereof) is prohibited. Diodes assumes no responsibility for any losses incurred by the customers or users or any third parties arising from any such unauthorized use.
9. This Notice may be periodically updated with the most recent version available at <https://www.diodes.com/about/company/terms-and-conditions/important-notice>

The Diodes logo is a registered trademark of Diodes Incorporated in the United States and other countries.
All other trademarks are the property of their respective owners.
© 2023 Diodes Incorporated. All Rights Reserved.

www.diodes.com