

## Ferrite Bead Inductor BL02/BL03 Series Reference Specification

### 1. Scope

This reference specification applies Ferrite Bead Inductor (Radial Type).

### 2. Part Numbering

| (Ex.)     | BL                                    | 02     | RN                 | 1                   | R2                 | N                      | 1                 | A             |           |
|-----------|---------------------------------------|--------|--------------------|---------------------|--------------------|------------------------|-------------------|---------------|-----------|
|           | Product ID                            | Series | Bead Core Material | Number of Bead Core | (*1)Lead Type      | (*2)Lead Length, Space | (*3)Lead Diameter | (*4)Packaging |           |
| (*1) R1 : | Radial Straight Type                  |        |                    | (*2) J :            | Lead Length 5.0mm  | (*3) 1 :               | $\phi$ 0.60mm     | (*4) A :      | Ammo Pack |
| R2 :      | Radial Straight and Wave Formed Leads |        |                    | M :                 | Lead Length 10.0mm | 2 :                    | $\phi$ 0.65mm     | B :           | Bulk      |
| R3 :      | Radial Crimp Type                     |        |                    | N :                 | Lead Length 16.5mm |                        |                   |               |           |
|           |                                       |        |                    | P :                 | Lead Length 18.5mm |                        |                   |               |           |
|           |                                       |        |                    | Q :                 | Lead Length 20.0mm |                        |                   |               |           |

### 3. Rating

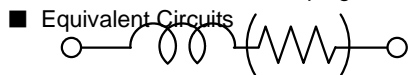
| Customer Part Number | MURATA Part Number | Inductance (1MHz) | Rated Current  | DC Resistance      | Remark          |               | Unit Mass (Typical value) |
|----------------------|--------------------|-------------------|----------------|--------------------|-----------------|---------------|---------------------------|
|                      |                    |                   |                |                    | H1 size (*1) mm | Packing Style |                           |
|                      | BL02RN1R2M2B       | 0.45 $\mu$ H min. | 7 A            | 0.02 $\Omega$ max. | –               | Bulk          | 0.34g                     |
|                      | BL02RN1R2N1A       |                   | 6 A            |                    | 16.5 $\pm$ 0.5  | Ammo Pack     | 0.40g                     |
|                      | BL02RN1R2Q1A       |                   |                |                    | 20.0 $\pm$ 0.5  |               | 0.42g                     |
|                      | BL02RN1R2P1A       |                   |                |                    | 18.5 $\pm$ 0.5  |               | 0.41g                     |
|                      | BL02RN1R3J2B       |                   |                |                    | 7 A             |               | –                         |
|                      | BL02RN1R3N1A       | 6 A               | 16.5 $\pm$ 0.5 |                    | Ammo Pack       | 0.42g         |                           |
|                      | BL02RN2R1M2B       | 1.10 $\mu$ H min. | 7 A            |                    | –               | Bulk          | 0.57g                     |
|                      | BL02RN2R1N1A       |                   | 6 A            |                    | 16.5 $\pm$ 0.5  | Ammo Pack     | 0.63g                     |
|                      | BL02RN2R1Q1A       |                   |                |                    | 20.0 $\pm$ 0.5  |               | 0.65g                     |
|                      | BL02RN2R1P1A       |                   |                |                    | 18.5 $\pm$ 0.5  |               | 0.64g                     |
|                      | BL02RN2R3J2B       |                   |                |                    | 7 A             |               | –                         |
|                      | BL02RN2R3N1A       | 6 A               | 16.5 $\pm$ 0.5 |                    | Ammo Pack       | 0.65g         |                           |
|                      | BL03RN2R1M1B       | 0.45 $\mu$ H min. | 6 A            |                    | –               | Bulk          | 0.21g                     |
|                      | BL03RN2R1N1A       |                   |                |                    | 16.5 $\pm$ 0.5  | Ammo Pack     | 0.29g                     |
|                      | BL03RN2R1Q1A       |                   |                |                    | 20.0 $\pm$ 0.5  |               | 0.30g                     |
|                      | BL03RN2R1P1A       |                   |                | 18.5 $\pm$ 0.5     | 0.29g           |               |                           |

• Operating Temperature : - 40 °C to + 85 °C  
(\*1) H1 : See item 10.1.

• Storage Temperature : - 40 °C to + 100 °C

### 4. Style and Dimension

Bulk : See item 9. / Taping : See item 10.1.



( Resistance element becomes dominant at high frequencies. )

### 5. Marking

No Marking

### 6. Testing Conditions

<Unless otherwise specified>

Temperature : Ordinary Temp. 15°C to 35°C

Humidity : Ordinary Humidity 25 %(RH) to 85 %(RH)

<In case of doubt>

Temperature : 20°C  $\pm$  2°C

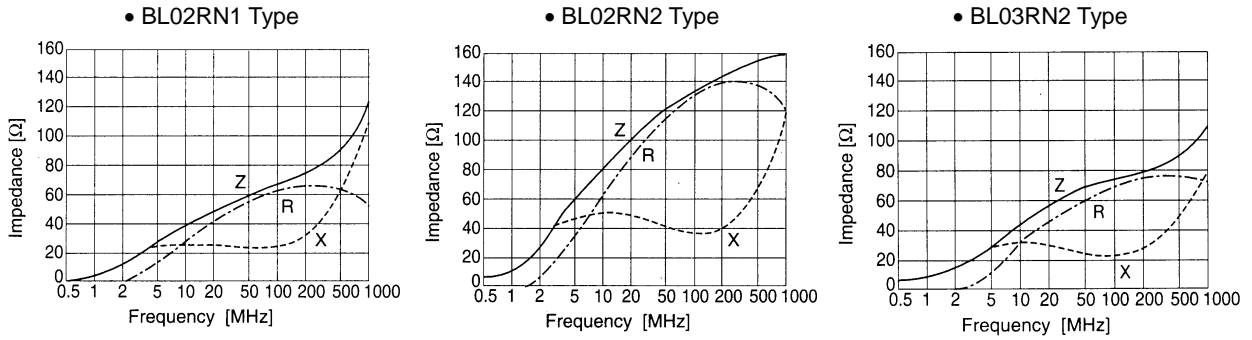
Humidity : 60 %(RH) to 70 %(RH)

Atmospheric pressure : 86kPa to 106kPa

## 7. Electrical Performance

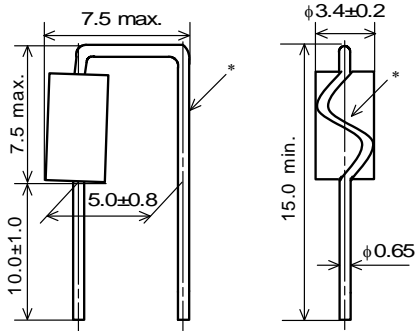
| No. | Item                         | Specification   | Test Method  |
|-----|------------------------------|---|--|
| 7.1 | Bend Bonding Strength        | Appearance : No damage.   | Applying Force : 9.8N<br>Applying direction : The lead wire in the direction of the axes.<br>Keeping Time : 1s to 5s   |
| 7.2 | Drop                         | Appearance : No damage.   | Products shall be dropped on the plate of oak.<br>Height : 75 cm<br>The Number of Times : 3 times  |
| 7.3 | Solderability                | Along the circumference of terminal shall be covered with new solder at least 75% | Flux : Ethanol solution of rosin, 25(wt)%<br>Pre-heat : 150 ± 10 °C, 60 ~ 90 s<br>Solder : Sn-3.0Ag-0.5Cu<br>Solder Temperature : 245 ± 5 °C<br>Immersion Time : 2 ± 0.5 s   |
| 7.4 | Resistance to Soldering Heat | Appearance : No damage.   | Flux : Ethanol solution of rosin, 25(wt)%<br>Pre-heat : 150 ± 10 °C, 60 ~ 90 s<br>Solder : Sn-3.0Ag-0.5Cu<br>Solder Temperature : 260 ± 5 °C<br>Immersion Time : 10 ± 1 s<br>Immersion Depth : 1.6 ± 0.8 mm from the end of Ferrite Bead<br>Immersion and emersion rates : 25 ± 5 mm / s               |
| 7.5 | Resistance to Soldering iron |   | Tip Temperature : 350 °C ± 10 °C<br>Soldering Time : 3 s ± 0.5 s<br>Putting place of soldering iron : lead wire (1.6±0.8mm from the bottom of the Ferrite Bead)<br>Do not touch the Ferrite Bead directly with the tip of the soldering iron.  |
| 7.6 | Vibration                    |   | Oscillation Frequency : 10 Hz to 2000 Hz for 20 min.<br>Total Amplitude or acceleration : 1.5 mm or 196 m/s <sup>2</sup><br>Testing Time : A period of 2 hours in each of 3 mutually perpendicular directions. (Total 6 hours)   |
| 7.7 | Humidity                     | Appearance : No damaged.<br>Inductance change : within ± 15%                      | Temperature : 85 °C ± 2 °C<br>Humidity : 80 %(RH) to 85 %(RH)<br>Time : 500 h (+ 24h , - 0h)<br>Then measured after exposure in the room condition for 1 to 2 hours.   |
| 7.8 | Thermal Shock                |   | 1 cycle :<br>1 step : - 40°C (+0,-3) °C / 30 min. (+3,-0) min.<br>2 step : Ordinary Temp. / within 1 min.<br>3 step : + 85°C (+3,-0) °C / 30min. (+3,-0) min.<br>4 step : Ordinary Temp. / within 1min.<br>Total of 10 cycles<br>Then measured after exposure in the room condition for 4 to 48 hours. |
| 7.9 | Heat Resistance              |   | Temperature : 85 °C ± 3 °C<br>Time : 1000 h (+ 48h , - 0h)<br>Then measured after exposure in the room condition for 1 to 2 hours.   |

8. Frequency-Impedance Characteristics (Typical)

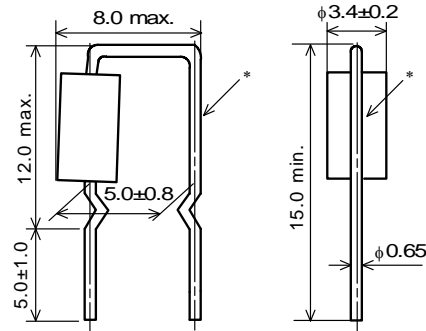


9. Style and Dimension (Bulk)

(1) BL02RN1R2M2B

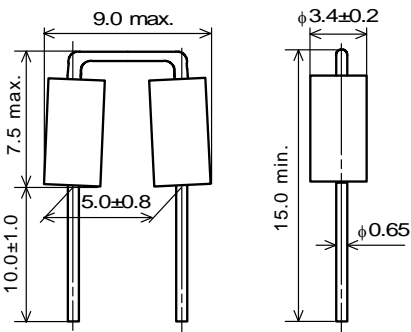


(2) BL02RN1R3J2B

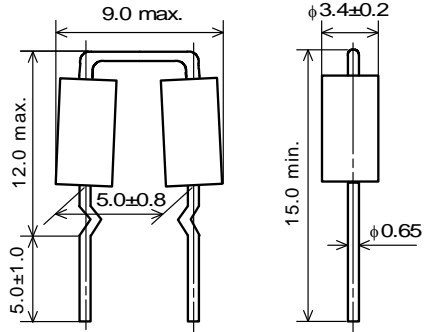


\* There is a excess bond stick on the wire.

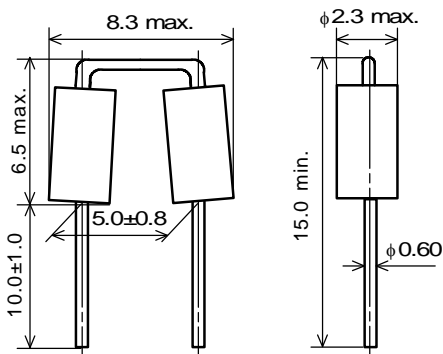
(3) BL02RN2R1M2B



(4) BL02RN2R3J2B



(5) BL03RN2R1M1B

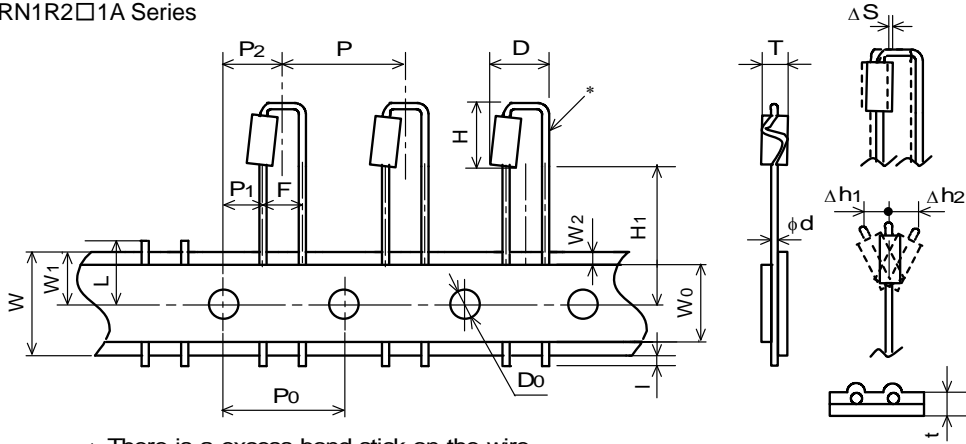


(in mm)

10. Specification of Packaging

10.1. Style and Dimension

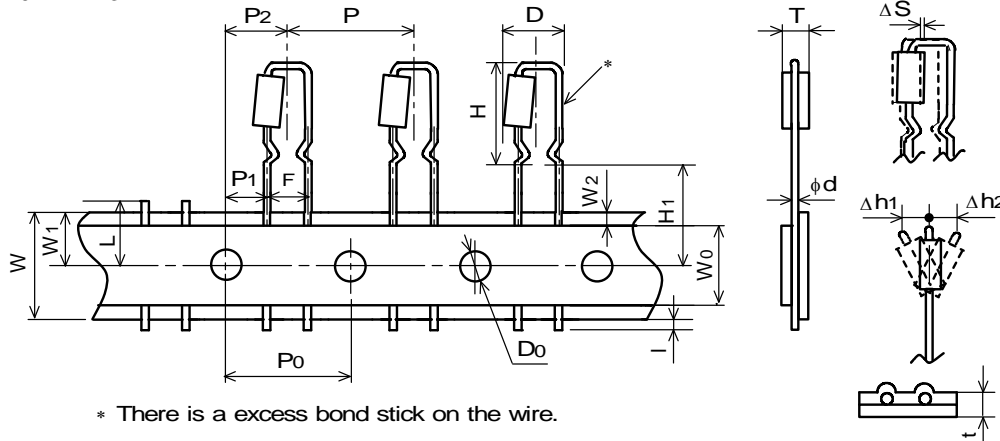
(1) BL02RN1R2□1A Series



\* There is a excess bond stick on the wire.

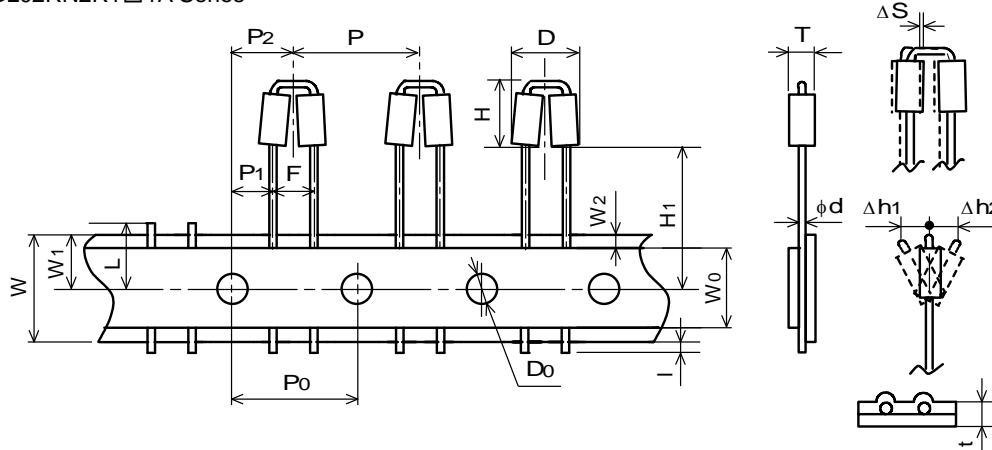
| Symbol         | Description  | Dimension (mm)         |            | Remarks   |
|----------------|--|------------------------|------------|---|
| P              | Pitch of component                                     | 12.7                   |            | Product inclination $\Delta S$ determines tolerance |
| P <sub>0</sub> | Pitch of sprocket hole                                 | 12.7 ± 0.2             |            |   |
| F              | Lead spacing   | 5.0 (+0.8, -0.2)       |            |   |
| P <sub>1</sub> | Hole center to lead                                    | 3.85 ± 0.7             |            |   |
| P <sub>2</sub> | Hole center to component center                        | 6.35 ± 1.3             |            | Tape deviation in feeding direction                 |
| D              | Body width   | 7.5 max.               |            |   |
| H              | Height of bead   | 7.5 max.               |            |   |
| $\Delta S$     | Deviation along tape, left or right                    | ± 1.0                  |            |   |
| W              | Carrier tape width                                     | 18.0 ± 0.5             |            |   |
| W <sub>1</sub> | Position of sprocket hole                              | 9.0 (+0, -0.5)         |            | Tape with deviation                                 |
| H <sub>1</sub> | Lead length between sprocket hole and forming position | Lead Length Number : N | 16.5 ± 0.5 |   |
|                |  | Lead Length Number : Q | 20.0 ± 0.5 |   |
|                |  | Lead Length Number : P | 18.5 ± 0.5 |   |
| l              | Protruding length                                      | + 0.5 ~ - 1.0          |            |   |
| D <sub>0</sub> | Diameter of sprocket hole                              | φ 4.0 ± 0.1            |            |   |
| φd             | Lead Diameter  | φ 0.60                 |            |   |
| t              | Total tape thickness                                   | 0.7 ± 0.2              |            | Including bonding tape thickness                    |
| $\Delta h_1$   | Deviation across tape                                  | 1.0 max.               |            |   |
| $\Delta h_2$   | Deviation across tape rear                             |                        |            |   |
| L              | Cutting position of failure                            | 11.0 (+0, -1.0)        |            |   |
| W <sub>0</sub> | Hold down tape width                                   | 12.0 ± 0.5             |            |   |
| W <sub>2</sub> | Hold down tape position                                | 1.5 ± 1.5              |            |   |
| T              | Body thickness   | 3.4 ± 0.2              |            |   |

(2) BL02RN1R3N1A



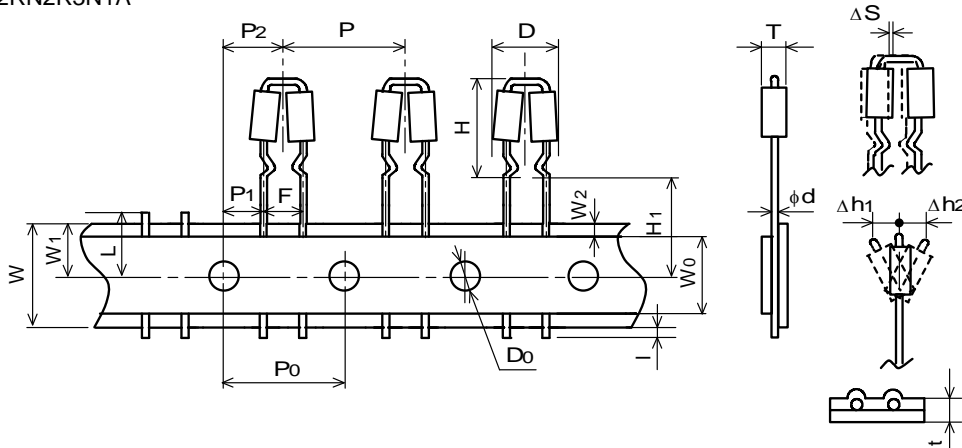
| Symbol         | Description  | Dimension (mm)    | Remarks   |
|----------------|--|-------------------|---|
| P              | Pitch of component                                     | 12.7              | Product inclination $\Delta S$ determines tolerance |
| P <sub>0</sub> | Pitch of sprocket hole                                 | 12.7 ± 0.2        |   |
| F              | Lead spacing   | 5.0 (+0.8 , -0.2) |   |
| P <sub>1</sub> | Hole center to lead                                    | 3.85 ± 0.7        |   |
| P <sub>2</sub> | Hole center to component center                        | 6.35 ± 1.3        | Tape deviation in feeding direction                 |
| D              | Body width   | 8.0 max.          |   |
| H              | Height of bead   | 12.0 max.         |   |
| $\Delta S$     | Deviation along tape, left or right                    | ± 1.0             |   |
| W              | Carrier tape width                                     | 18.0 ± 0.5        |   |
| W <sub>1</sub> | Position of sprocket hole                              | 9.0 (+0 , -0.5)   | Tape with deviation                                 |
| H <sub>1</sub> | Lead length between sprocket hole and forming position | 16.5 ± 0.5        |   |
| l              | Protruding length                                      | + 0.5 ~ - 1.0     |   |
| D <sub>0</sub> | Diameter of sprocket hole                              | φ 4.0 ± 0.1       |   |
| φd             | Lead Diameter  | φ 0.60            |   |
| t              | Total tape thickness                                   | 0.7 ± 0.2         | Including bonding tape thickness                    |
| $\Delta h_1$   | Deviation across tape                                  | 1.0 max.          |   |
| $\Delta h_2$   | Deviation across tape rear                             |                   |   |
| L              | Cutting position of failure                            | 11.0 (+0 , -1.0)  |   |
| W <sub>0</sub> | Hold down tape width                                   | 12.0 ± 0.5        |   |
| W <sub>2</sub> | Hold down tape position                                | 1.5 ± 1.5         |   |
| T              | Body thickness   | 3.4 ± 0.2         |   |

(3) BL02RN2R1□1A Series



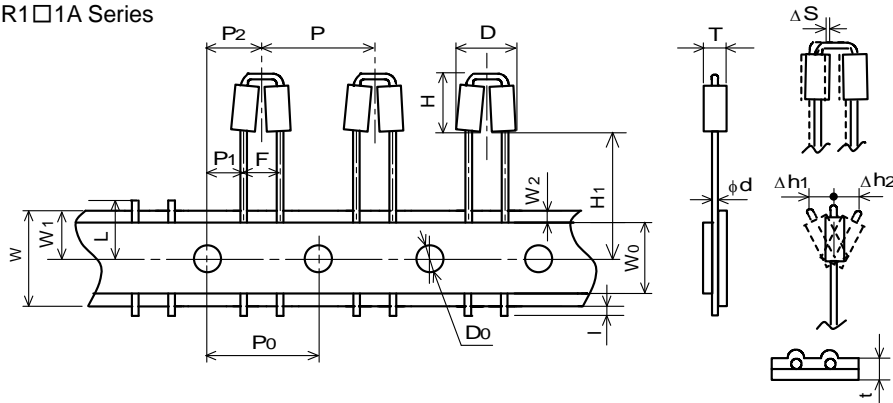
| Symbol         | Description  | Dimension (mm)         |            | Remarks   |
|----------------|--|------------------------|------------|---|
| P              | Pitch of component                                     | 12.7                   |            | Product inclination $\Delta S$ determines tolerance |
| P <sub>0</sub> | Pitch of sprocket hole                                 | 12.7 ± 0.2             |            |   |
| F              | Lead spacing   | 5.0 (+0.8, -0.2)       |            |   |
| P <sub>1</sub> | Hole center to lead                                    | 3.85 ± 0.7             |            |   |
| P <sub>2</sub> | Hole center to component center                        | 6.35 ± 1.3             |            | Tape deviation in feeding direction                 |
| D              | Body width   | 9.0 max.               |            |   |
| H              | Height of bead   | 7.5 max.               |            |   |
| $\Delta S$     | Deviation along tape, left or right                    | ± 1.0                  |            |   |
| W              | Carrier tape width                                     | 18.0 ± 0.5             |            |   |
| W <sub>1</sub> | Position of sprocket hole                              | 9.0 (+0, -0.5)         |            | Tape with deviation                                 |
| H <sub>1</sub> | Lead length between sprocket hole and forming position | Lead Length Number : N | 16.5 ± 0.5 |   |
|                |  | Lead Length Number : Q | 20.0 ± 0.5 |   |
|                |  | Lead Length Number : P | 18.5 ± 0.5 |   |
| l              | Protruding length                                      | + 0.5 ~ - 1.0          |            |   |
| D <sub>0</sub> | Diameter of sprocket hole                              | φ 4.0 ± 0.1            |            |   |
| φd             | Lead Diameter  | φ 0.60                 |            |   |
| t              | Total tape thickness                                   | 0.7 ± 0.2              |            | Including bonding tape thickness                    |
| $\Delta h_1$   | Deviation across tape                                  | 1.0 max.               |            |   |
| $\Delta h_2$   | Deviation across tape rear                             |                        |            |   |
| L              | Cutting position of failure                            | 11.0 (+0, -1.0)        |            |   |
| W <sub>0</sub> | Hold down tape width                                   | 12.0 ± 0.5             |            |   |
| W <sub>2</sub> | Hold down tape position                                | 1.5 ± 1.5              |            |   |
| T              | Body thickness   | 3.4 ± 0.2              |            |   |

## (4) BL02RN2R3N1A



| Symbol          | Description  | Dimension (mm)   | Remarks                                     |
|-----------------|--|------------------|---|
| P               | Pitch of component                                     | 12.7             | Product inclination ΔS determines tolerance |
| P <sub>0</sub>  | Pitch of sprocket hole                                 | 12.7 ± 0.2       |   |
| F               | Lead spacing   | 5.0 (+0.8, -0.2) |   |
| P <sub>1</sub>  | Hole center to lead                                    | 3.85 ± 0.7       |   |
| P <sub>2</sub>  | Hole center to component center                        | 6.35 ± 1.3       | Tape deviation in feeding direction         |
| D               | Body width   | 9.0 max.         |   |
| H               | Height of bead   | 12.0 max.        |   |
| ΔS              | Deviation along tape, left or right                    | ± 1.0            |   |
| W               | Carrier tape width                                     | 18.0 ± 0.5       |   |
| W <sub>1</sub>  | Position of sprocket hole                              | 9.0 (+0, -0.5)   | Tape with deviation                         |
| H <sub>1</sub>  | Lead length between sprocket hole and forming position | 16.5 ± 0.5       |   |
| l               | Protruding length                                      | +0.5 ~ -1.0      |   |
| D <sub>0</sub>  | Diameter of sprocket hole                              | φ 4.0 ± 0.1      |   |
| φd              | Lead Diameter  | φ 0.60           |   |
| t               | Total tape thickness                                   | 0.7 ± 0.2        | Including bonding tape thickness            |
| Δh <sub>1</sub> | Deviation across tape                                  | 1.0 max.         |   |
| Δh <sub>2</sub> | Deviation across tape rear                             |                  |   |
| L               | Cutting position of failure                            | 11.0 (+0, -1.0)  |   |
| W <sub>0</sub>  | Hold down tape width                                   | 12.0 ± 0.5       |   |
| W <sub>2</sub>  | Hold down tape position                                | 1.5 ± 1.5        |   |
| T               | Body thickness   | 3.4 ± 0.2        |   |

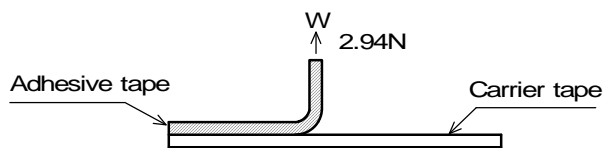
(5) BL03RN2R1□1A Series



| Symbol          | Description  | Dimension (mm)         |            | Remarks   |
|-----------------|--|------------------------|------------|---|
| P               | Pitch of component                                     | 12.7                   |            | Product inclination $\Delta S$ determines tolerance |
| P <sub>0</sub>  | Pitch of sprocket hole                                 | 12.7 ± 0.2             |            |   |
| F               | Lead spacing   | 5.0 (+0.8, -0.2)       |            |   |
| P <sub>1</sub>  | Hole center to lead                                    | 3.85 ± 0.7             |            |   |
| P <sub>2</sub>  | Hole center to component center                        | 6.35 ± 1.3             |            | Tape deviation in feeding direction                 |
| D               | Body width   | 8.3 max.               |            |   |
| H               | Height of bead   | 6.5 max.               |            |   |
| $\Delta S$      | Deviation along tape, left or right                    | ± 1.0                  |            |   |
| W               | Carrier tape width                                     | 18.0 ± 0.5             |            |   |
| W <sub>1</sub>  | Position of sprocket hole                              | 9.0 (+0, -0.5)         |            | Tape with deviation                                 |
| H <sub>1</sub>  | Lead length between sprocket hole and forming position | Lead Length Number : N | 16.5 ± 0.5 |   |
|                 |  | Lead Length Number : Q | 20.0 ± 0.5 |   |
|                 |  | Lead Length Number : P | 18.5 ± 0.5 |   |
| l               | Protruding length                                      | + 0.5 ~ - 1.0          |            |   |
| D <sub>0</sub>  | Diameter of sprocket hole                              | φ 4.0 ± 0.1            |            |   |
| φd              | Lead Diameter  | φ 0.60                 |            |   |
| t               | Total tape thickness                                   | 0.7 ± 0.2              |            | Including bonding tape thickness                    |
| Δh <sub>1</sub> | Deviation across tape                                  | 1.0 max.               |            |   |
| Δh <sub>2</sub> | Deviation across tape rear                             |                        |            |   |
| L               | Cutting position of failure                            | 11.0 (+0, -1.0)        |            |   |
| W <sub>0</sub>  | Hold down tape width                                   | 12.0 ± 0.5             |            |   |
| W <sub>2</sub>  | Hold down tape position                                | 1.5 ± 1.5              |            |   |
| T               | Body thickness   | 2.3 max.               |            |   |

10.2. Supplement condition of taping

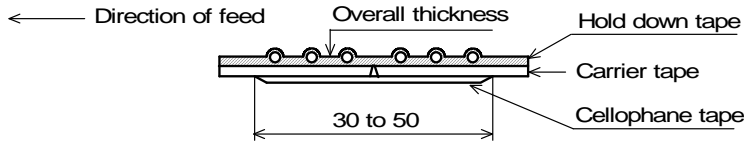
- (1) A maximum of 0.3% of the components quantity per reel or Ammo pack may be missing without consecutive missing components.
- (2) The adhesive power of the tape shall have over 2.94N at the following condition.





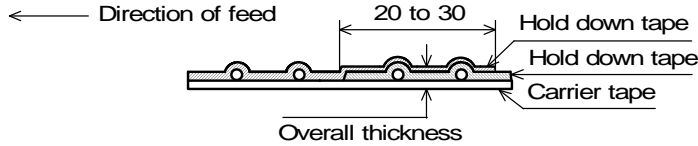
(3) Splicing method of tape

1. Carrier tape



Carrier tape shall be spliced by cellophane tape.  
Overall thickness shall be less than 1.05 mm max. (in mm)

2. Hold down tape



- Hold down tape shall be spliced with overlapping.
- Overall thickness shall be less than 1.05 mm. (in mm)

3. Both carrier tape and hold down tape

Both tapes shall be cut zigzag and spliced with splicing tape.

**10.3. Leader of tape**

Not less than 3 consecutive of component shall be missing on both edge of tape.

**11. Packing**

**11.1. Packing quantity**

The standard packing quantity is as follows.

| Murata Part Number | Quantity (pcs.) | Remark    |
|--------------------|-----------------|-----------|
| BL02RN1 Type       | 500             | Bulk      |
| BL02RN2 Type       |                 |           |
| BL03RN2 Type       | 1000            |           |
| BL02RN1 Type       | 1500            | Ammo Pack |
| BL02RN2 Type       |                 |           |
| BL03RN2 Type       | 2000            |           |

**11.2. Packing Form**

(1) Bulk

Product are packed into a plastic bag.

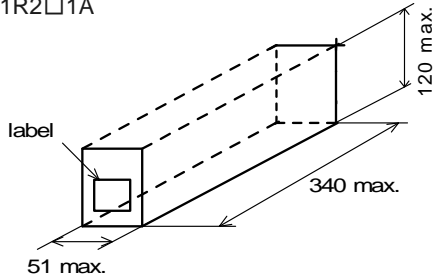
(2) An ammo pack

The tape with inductors is created each 25 pitches and packed zigzag into a case, when case body of the inductor is piled on other body under it.

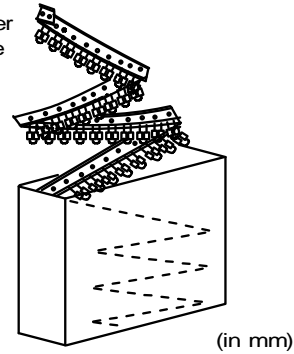
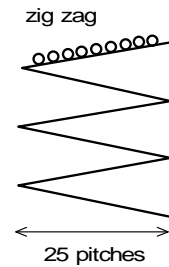
The size of packing case

Packing way

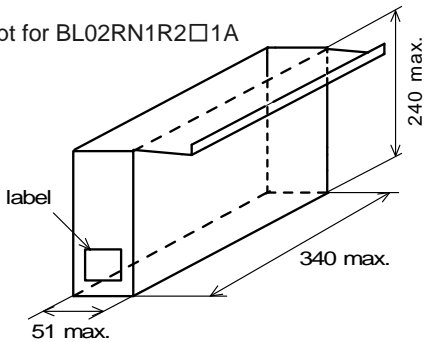
• BL02RN1R2□1A



The hold down tape : Upper  
The product body : this side



• Except for BL02RN1R2□1A

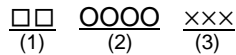


**11.3. Marking of packaging**

(1) Making for individual packaging

The following items shall be marked on a label and the label is stuck on the individual packaging .  
Customer part number, MURATA part number, Inspection number(\*1), RoHS marking(\*2), Quantity, etc

\*1) « Expression of Inspection No. »



(1) Factory Code

(2) Date

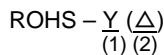
First digit : Year / Last digit of year

Second digit : Month / Jan. to Sep. → 1 to 9, Oct. to Dec. → O,N,D

Third, Fourth digit : Day

(3) Serial No.

\*2) « Expression of RoHS marking »



(1) RoHS regulation conformity parts.

(2) MURATA classification number

(2) Marking for Outside package

These individual packagings shall be packed in the corrugated cardboard package and the following items shall be marked on a label and the label is stuck on the box.

Customer name , Purchasing Order Number , Customer Part Number , MURATA part number ,  
RoHS marking (\*2), Quantity , etc

**12. ⚠ Caution**

**Limitation of Applications**

Please contact us before using our products for the applications listed below which require especially high reliability for the prevention of defects which might directly cause damage to the third party's life, body or property.

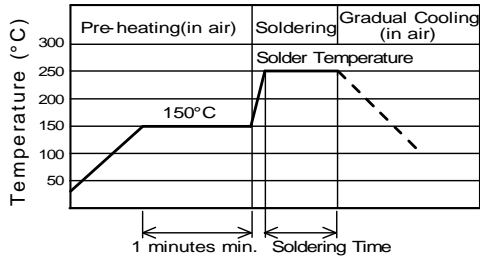
- (1) Aircraft equipment
- (2) Aerospace equipment
- (3) Undersea equipment
- (4) Power plant control equipment
- (5) Medical equipment
- (6) Transportation equipment (vehicles, trains, ships, etc.)
- (7) Traffic signal equipment
- (8) Disaster prevention / crime prevention equipment
- (9) Data-processing equipment
- (10) Applications of similar complexity and /or reliability requirements to the applications listed in the above

**13. Notice**

**13.1. Soldering**

- (1) Flux, Solder
  - Rosin-based flux should be used.
  - Do not use strong acidic flux with halide content exceeding 0.2(wt)% (chlorine conversion value.)
  - Use Sn-3.0Ag-0.5Cu solder.

(2) Standard flow soldering profile.



- (3) Resistance to soldering iron goes in the following condition that tip temperature is 350 °C max. and soldering time is 5 s max.
- (4) Products and the leads should not be subjected to any mechanical stress during soldering process. (and also while subjected to the equivalent high temperature.)

**13.2. Cleaning conditions**

Products shall be cleaned on the following conditions.

- (1) Cleaning temperature shall be limited to 60°C max.(40°C max for IPA.)
- (2) Ultrasonic cleaning shall comply with the following conditions with avoiding the resonance phenomenon at the mounted products and P.C.B.

Power : 20 W / l max.      Frequency : 28kHz to 40kHz      Time : 5 min max.

- (3) Cleaner
  - 1. Alcohol type cleaner
    - Isopropyl alcohol (IPA)
  - 2. Aqueous agent
    - PINE ALPHA ST-100S

- (4) There shall be no residual flux and residual cleaner after cleaning.
  - In case of using aqueous agent, products shall be dried completely after rinse with de-ionized water in order to remove the cleaner.
- (5) Other cleaning
  - Please contact us.

**13.3. Operating Environment**

- (1) Do not use products in corrosive gases such as chlorine gas, acid or sulfide gas.
- (2) Do not use products in the environment where water, oil or organic solvents may adhere to product.
- (3) Do not adhere any resin to products, coat nor mold products with any resin (including adhesive) to prevent mechanical and chemical stress on products.

**13.4. Storage and Handling Requirements**

- (1) Storage period
  - Use the products within 12 months after delivered.
  - Solderability should be checked if this period is exceeded.

## (2) Storage conditions

- Products should be stored in the warehouse on the following conditions.

Temperature : -10 °C to 40 °C

Humidity : 15 % to 85 % relative humidity No rapid change on temperature and humidity

The electrode of the products is coated with solder. Don't keep products in corrosive gases such as sulfur, chlorine gas or acid, or it may cause oxidization of electrode, resulting in poor solderability.

- Products should not be stored on bulk packaging condition to prevent the chipping of the core and the breaking of winding wire caused by the collision between the products.
- Products should be stored on the palette for the prevention of the influence from humidity, dust and so on.
- Products should be stored in the warehouse without heat shock, vibration, direct sunlight and so on.

## (3) Handling Condition

Care should be taken when transporting or handling product to avoid excessive vibration or mechanical shock.

**14.  Note**

- (1) Please make sure that your product has been evaluated in view of your specifications with our product being mounted to your product.
- (2) You are requested not to use our product deviating from the reference specifications.
- (3) The contents of this reference specification are subject to change without advance notice. Please approve our product specifications or transact the approval sheet for product specifications before ordering.