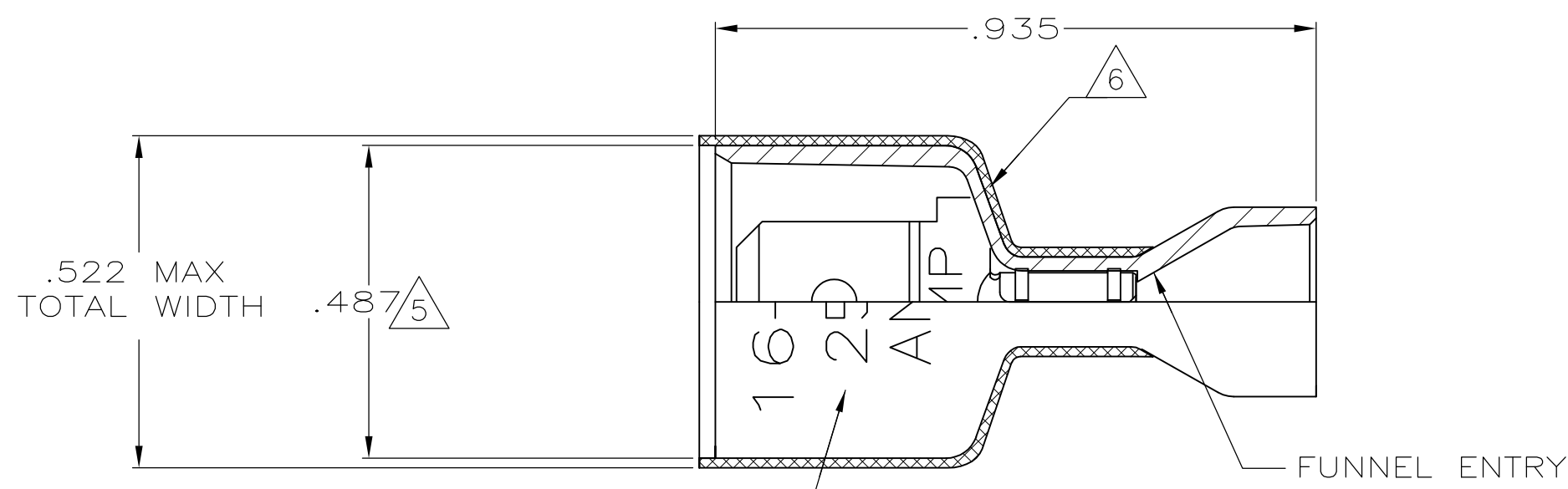


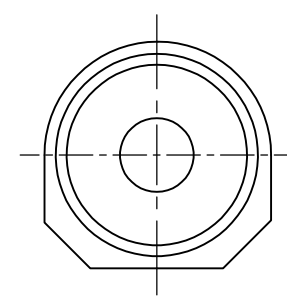
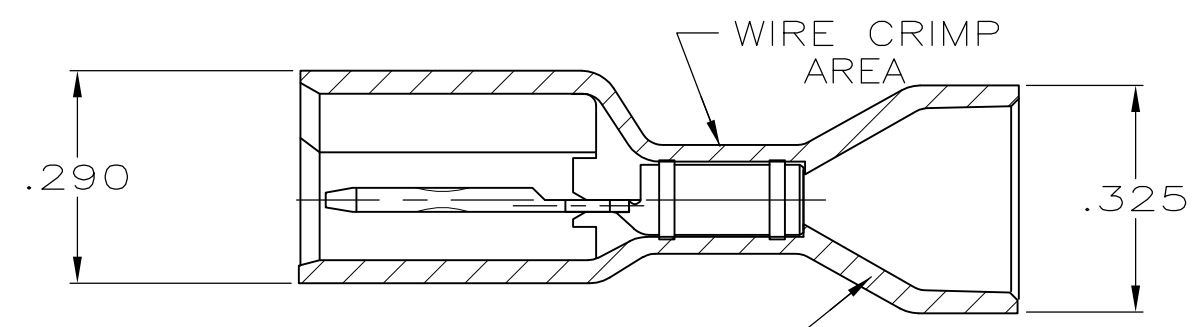
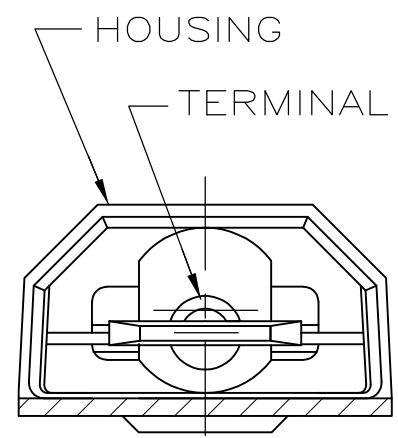
THIS DRAWING IS UNPUBLISHED. RELEASED FOR PUBLICATION
 © COPYRIGHT - By - ALL RIGHTS RESERVED.

LOC	DIST	REVISIONS					
AF	50	P	LTR	DESCRIPTION	DATE	DWN	APVD
			C	REVISED PER ECR-13-004343	30JUL2013	KH	KR




- 1 TAB DIMENSIONS .032±.001x.250
- 2 WIRE STRIP LENGTH .281
- 3 INSULATION SIZE .260 MAX DIA
- 4 SUPPLIED IN LOOSE PIECE.
- 5 DIMENSION DOES NOT INCLUDE TRIM BURR
- 6 .015 MAX CARRIER TRIM BURR PER SIDE IS ALLOWABLE IN THE SHADED AREA

WIRE AND TAB SIZE IDENTIFICATION } 16-14
250
AMP



HOUSING: NYLON, COLOR-BLUE TRANSLUCENT	3-521191-2
TAB: BRASS, TIN	
MATERIAL & FINISH	PART NUMBER

THIS DRAWING IS A CONTROLLED DOCUMENT.	
DIMENSIONS: INCHES	TOLERANCES UNLESS OTHERWISE SPECIFIED:
	0 PLC ± -
	1 PLC ± -
	2 PLC ± -
	3 PLC ± .015
	4 PLC ± -
	ANGLES ± -
MATERIAL SEE TABLE	FINISH SEE TABLE

DWN JR RUTH 9FEB99	 TE Connectivity	NAME TAB ASSEMBLY, LID, ULTRA-FAST, LOOSE PIECE, .250 SERIES, 16-14 AWG	RESTRICTED TO -
CHK MS FEHER 9FEB99			
APVD J HUMMEL 9FEB99			
PRODUCT SPEC 108-2017			
APPLICATION SPEC 114-2123	SIZE A3	CAGE CODE 00779	DRAWING NO C-521191
WEIGHT -	CUSTOMER DRAWING		SCALE 4:1
		SHEET 1 OF 1	REV C