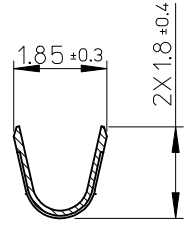
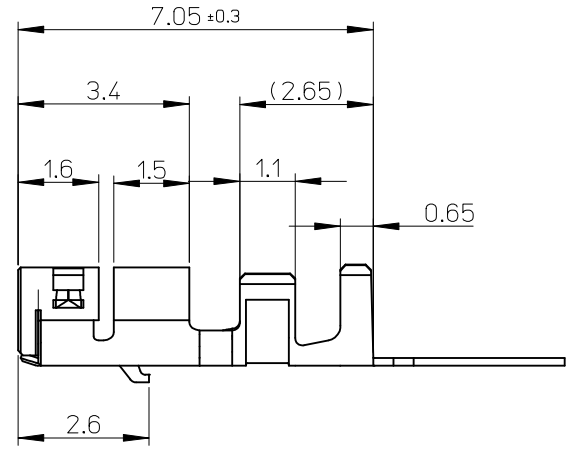
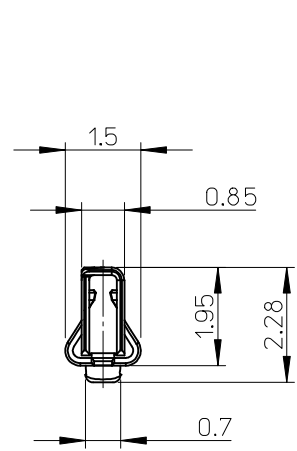
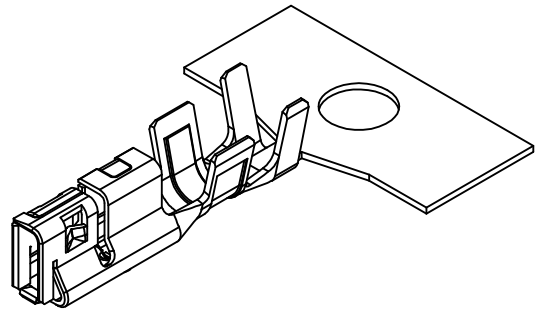
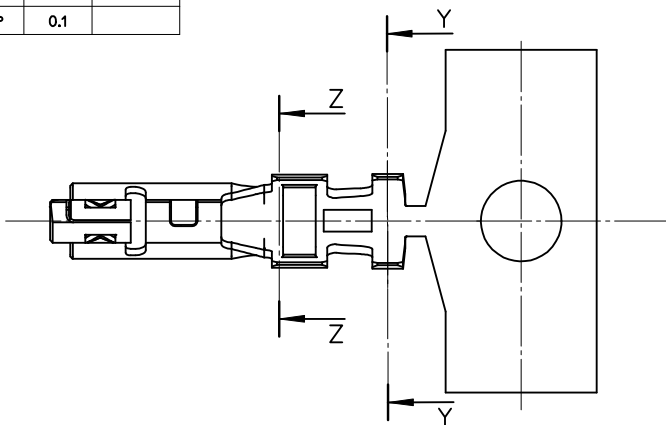
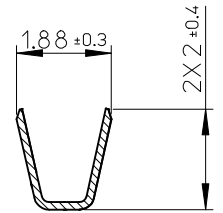


GENERAL TOLERANCE										USED ON
10 MAX	30 MAX	50 MAX	70 MAX	100 MAX	120 MAX	250 MAX	250 OVR	ANGLE	ECCENT	
±0.15	±0.20	±0.30	±0.40	±0.50	±0.75	±0.90	±1.4	±0.5°	0.1	



SECTION Z-Z



SECTION Y-Y

NOTES:

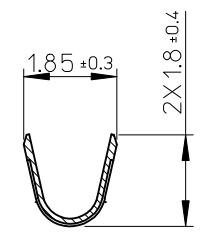
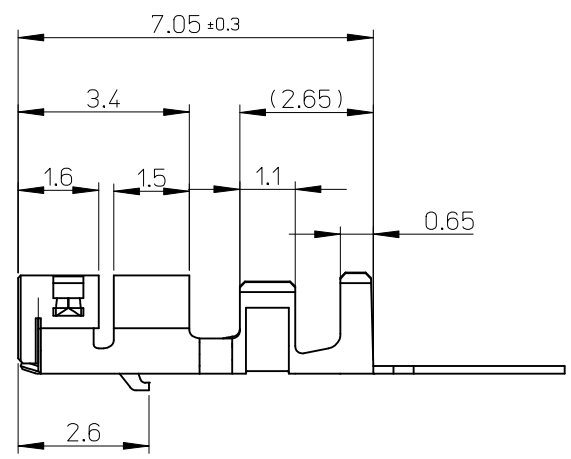
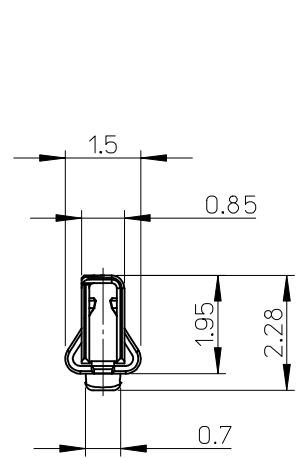
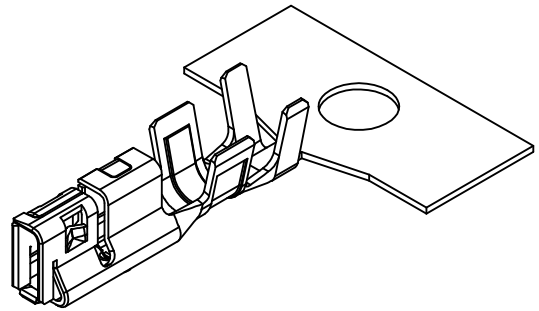
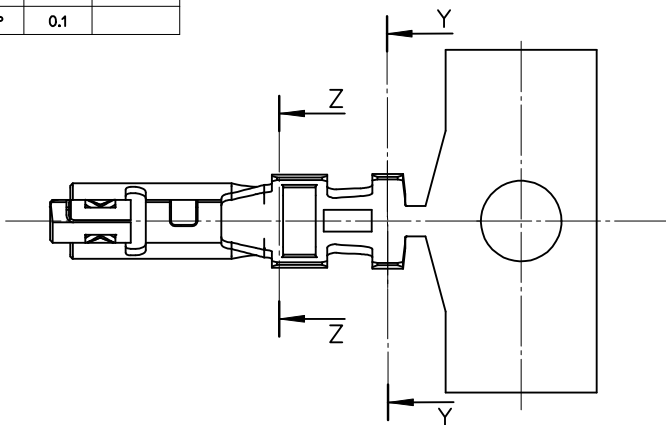
1. MATERIAL : CORSON ALLOY, PRE-TIN, 0.15T
2. APPLICABLE HOUSING : 560123-0*00
3. APPLICABLE WIRE: AVSS 0.35Q, FLY-A WIRE 0.35SQ
4. GENERAL TOLERANCES : SEE TABLE
5. ELV AND RoHS COMPLIANT
6. PRODUCT SPECIFICATION: PS-560123-001
7. PACKING SPECIFICATION: PK-560124-001
8. CRIMP SPECIFICATION: CS-560124-001



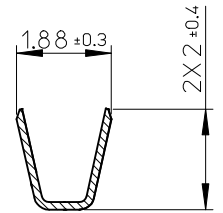
ORDER NO	MATERIAL NO
560124-0101	5601240101

NEW RELEASE EC NO: KTR2015-0094 DRWN: YIBAOK 2015/04/18 CHKD: APPR: JYCHO1 2015/04/27	QUALITY SYMBOLS	GENERAL TOLERANCES (UNLESS SPECIFIED) <table border="1"> <thead> <tr> <th></th> <th>mm</th> <th>INCH</th> </tr> </thead> <tbody> <tr> <td>4 PLACES</td> <td>± ---</td> <td>± ---</td> </tr> <tr> <td>3 PLACES</td> <td>± ---</td> <td>± ---</td> </tr> <tr> <td>2 PLACES</td> <td>± ---</td> <td>± ---</td> </tr> <tr> <td>1 PLACE</td> <td>± ---</td> <td>± ---</td> </tr> </tbody> </table>		mm	INCH	4 PLACES	± ---	± ---	3 PLACES	± ---	± ---	2 PLACES	± ---	± ---	1 PLACE	± ---	± ---	DIMENSION STYLE	SCALE	DESIGN UNITS	THIRD ANGLE PROJECTION
			mm	INCH																	
	4 PLACES		± ---	± ---																	
	3 PLACES		± ---	± ---																	
2 PLACES	± ---	± ---																			
1 PLACE	± ---	± ---																			
	▽=0 ∇=0	MM ONLY	5:1	METRIC	THIRD ANGLE PROJECTION																
		DRAWN BY: YIBAOK DATE: 2014/07/03 CHECKED BY:	TITLE	NEW 2.0 W/B CRIMP REC DURACLIC™ ISL SERIES																	
		APPROVED BY: SRTAK DATE: 2014/08/26 MATERIAL NO.	MOLEX INCORPORATED DOCUMENT NO.	SD-560124-001																	
		DRAFT WHERE APPLICABLE MUST REMAIN WITHIN DIMENSIONS	SEE TABLE SIZE: A3	THIS DRAWING CONTAINS INFORMATION THAT IS PROPRIETARY TO MOLEX INCORPORATED AND SHOULD NOT BE USED WITHOUT WRITTEN PERMISSION																	

GENERAL TOLERANCE										USED ON
10 MAX	30 MAX	50 MAX	70 MAX	100 MAX	120 MAX	250 MAX	250 OVR	ANGLE	ECCENT	
±0.15	±0.20	±0.30	±0.40	±0.50	±0.75	±0.90	±1.4	±0.5°	0.1	



SECTION Z-Z



SECTION Y-Y

NOTES:

1. MATERIAL : CORSON ALLOY, PRE-TIN, 0.15T
2. APPLICABLE HOUSING : 560123-0*00
3. APPLICABLE WIRE: AVSS 0.35Q, FLY-A WIRE 0.35SQ
4. GENERAL TOLERANCES : SEE TABLE
5. ELV AND RoHS COMPLIANT
6. PRODUCT SPECIFICATION: PS-560123-001
7. PACKING SPECIFICATION: PK-560124-001
8. CRIMP SPECIFICATION: CS-560124-001



ORDER NO	MATERIAL NO
560124-0101	5601240101

NEW RELEASE EC NO: KTR2015-0094 DRWN: YIBA EK 2015/04/18 CHKD: APPR: JYCH01 2015/04/27	QUALITY SYMBOLS ▽=0 ◻=0	GENERAL TOLERANCES (UNLESS SPECIFIED) <table border="1"> <thead> <tr> <th></th> <th>mm</th> <th>INCH</th> </tr> </thead> <tbody> <tr> <td>4 PLACES</td> <td>± ---</td> <td>± ---</td> </tr> <tr> <td>3 PLACES</td> <td>± ---</td> <td>± ---</td> </tr> <tr> <td>2 PLACES</td> <td>± ---</td> <td>± ---</td> </tr> <tr> <td>1 PLACE</td> <td>± ---</td> <td>± ---</td> </tr> </tbody> </table>		mm	INCH	4 PLACES	± ---	± ---	3 PLACES	± ---	± ---	2 PLACES	± ---	± ---	1 PLACE	± ---	± ---	DIMENSION STYLE MM ONLY	SCALE 5:1	DESIGN UNITS METRIC	THIRD ANGLE PROJECTION
		mm	INCH																		
	4 PLACES	± ---	± ---																		
	3 PLACES	± ---	± ---																		
2 PLACES	± ---	± ---																			
1 PLACE	± ---	± ---																			
DRAFT WHERE APPLICABLE MUST REMAIN WITHIN DIMENSIONS		DRAWN BY YIBA EK	DATE 2014/07/03	TITLE NEW 2.0 W/B CRIMP REC DURACLIC™ ISL SERIES																	
APPROVED BY SRTAK		DATE 2014/08/26		MOLEX INCORPORATED																	
MATERIAL NO. SEE TABLE		DOCUMENT NO. SD-560124-001		SHEET NO. 1 OF 1																	