



[Maxim](#) > [Design Support](#) > [Technical Documents](#) > [Application Notes](#) > [Communications Circuits](#) > APP 3080

[Maxim](#) > [Design Support](#) > [Technical Documents](#) > [Application Notes](#) > [Digital Potentiometers](#) > APP 3080

[Maxim](#) > [Design Support](#) > [Technical Documents](#) > [Application Notes](#) > [Optoelectronics](#) > APP 3080

Keywords: laser, laser power, laser power control, laser control circuit, laser power circuit, power control for laser

## APPLICATION NOTE 3080

# Accurate Power Control of the MAX3740A Laser Driver

Aug 24, 2004

*Abstract: Three circuit approaches for the accurate control of the laser power of the MAX3740A laser driver are described and analyzed. Circuit schematics and simulation results are presented along with the advantages and disadvantages of each approach.*

The operating power level of the [MAX3740A](#) VCSEL laser driver can be set via software control. This can be accomplished with the [DS1859](#) digital potentiometer but it is trickier than it may seem. This article will identify the challenges, show two different ways the DS1859 and a discrete resistor can be configured to control operating power (Solution #1 and Solution #2), and present a new circuit with an op amp that addresses all the shortcomings of the discrete solutions (Solution #3). Simulation results are shown for the relationship between photodiode current and potentiometer voltage for each of the options. Finally, the advantages and disadvantages of each option are summarized.

The best circuit for a particular application will depend on the designer's requirements. Things that need to be considered include the photodiode current to achieve the desired laser power level, adjustment range, and the required resolution. With the information in this article the designer will be able to determine the best option for a particular application.

## Challenges

The MAX3740A data sheet specifies the use of a resistor between the reference pin (REF) and the power monitor photodiode (MD) to set the photodiode current. The power control loop drives the laser diode to an intensity that yields this photodiode current, and therefore the average operating power level. The problem is the nominal voltage at MD is 1.6V and the nominal voltage at REF is 1.8V. This only gives 0.2V across the resistor to set the photodiode current. Digital potentiometers like those in the DS1859 can have minimum resistances up to 1K. This would give a maximum current of only 200 $\mu$ A. You can increase this current level with a fixed resistor but you can't change the limited adjustment range, nonlinearity and poor resolution at high currents.

Another challenge with using the DS1859 is the wide variation of voltages at MD and REF on the MAX3740A. The delta between these two points is very stable at 0.2V but the common mode can change up and down by  $\pm 0.5$ V. This large variation of MD relative to ground means the current defined by a resistor between this node and ground will have the same large variation.

## Solution #1

In this solution the DS1859 variable resistor and the 806Ω fixed resistor are placed between REF and MD, please refer to **Figure 1**. The fixed resistor carries  $0.2V/806 = 248\mu A$ . The variable resistor carries  $0.2V/50K$  (DS1859 max value) =  $4\mu A$  to  $0.2V/1K$  (DS1859 min value) =  $200\mu A$ . The sum of the currents through the fixed and variable resistors determine total current through the photodiode. This technique gives a nonlinear response with good resolution at low currents. It is not affected by voltage variations at MD.

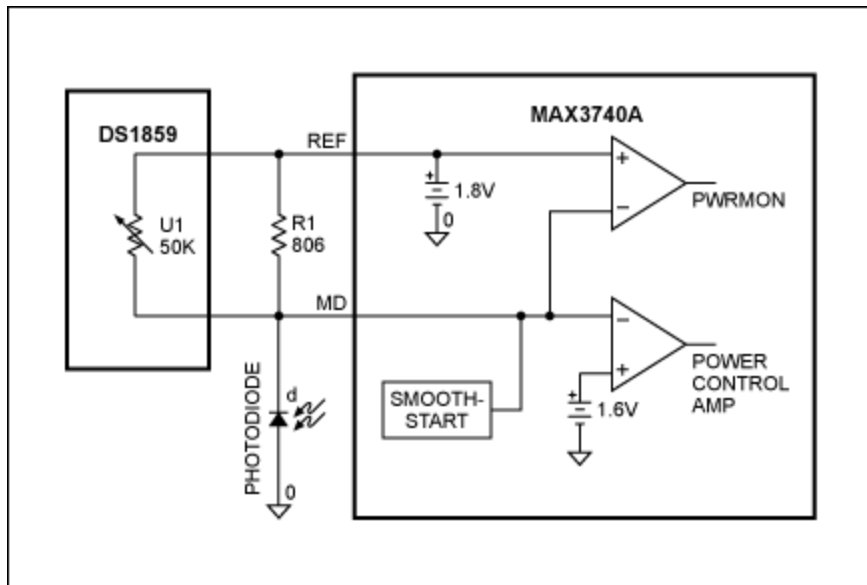


Figure 1. Solution #1 schematic.

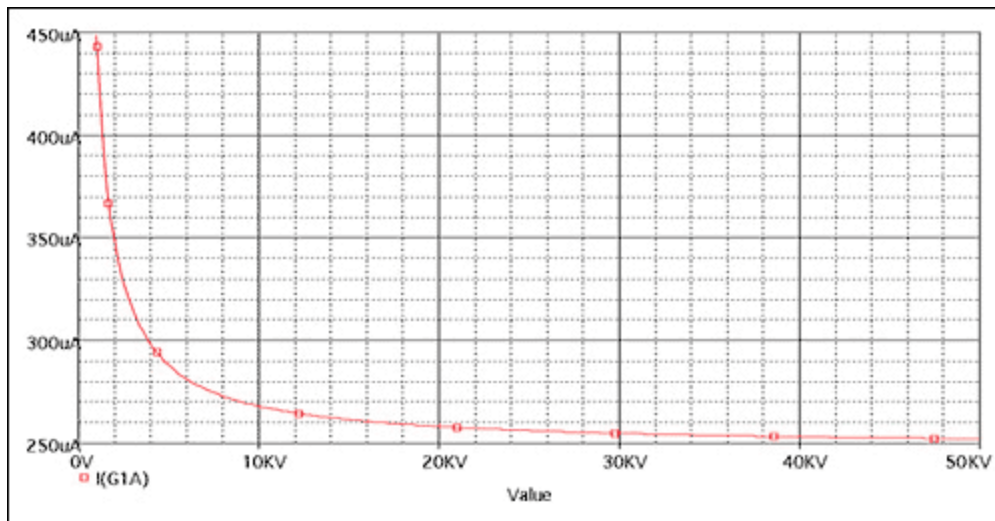


Figure 2. Solution #1 simulation results (X axis DS1859 resistance in Ω).

Option 1 Summary		
DS1859 Value	Photodiode Current MD = 1V	Photodiode Current MD = 2.0V
1K	448uA	448uA
1.96K	350uA	350uA
50K	252uA	252uA
Response	Nonlinear, 1/R inverse function, negative slope	
Advantages	Insensitive to DS1859 MD voltage variations, minimum par	
Disadvantages	Nonlinear response, poor resolution at high currents, limited current adjustment range	

Figure 3. Solution #1 summary.

## Solution #2

In this solution the DS1859 variable resistor is put between MD and ground, and a 243Ω fixed resistor is put between REF and MD, please refer to **Figure 4**. The current in the fixed resistor is  $0.2V/243 = 823\mu A$ . The current in the variable resistor is  $1.6V$  (MD nominal)/ $50K$  (DS1859 max) =  $32\mu A$  to  $1.6V$  (MD nominal)/ $1K$  (DS1859 min) =  $1600\mu A$ . The total current through the photodiode is the current through the fixed resistor minus the current through the variable resistor. This technique gives good resolution at high currents. The current values are strongly dependent on voltage variations at MD. Note that the photodiode current can go negative for low values of resistance. **Figure 5** shows the photodiode variation with MD and REF varied through a  $\pm 5V$  range.

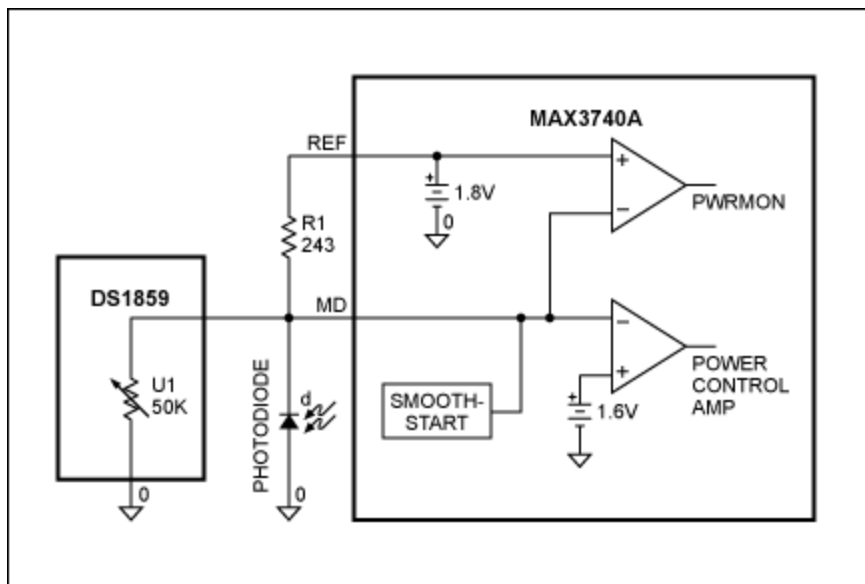


Figure 4. Solution #2 schematic.

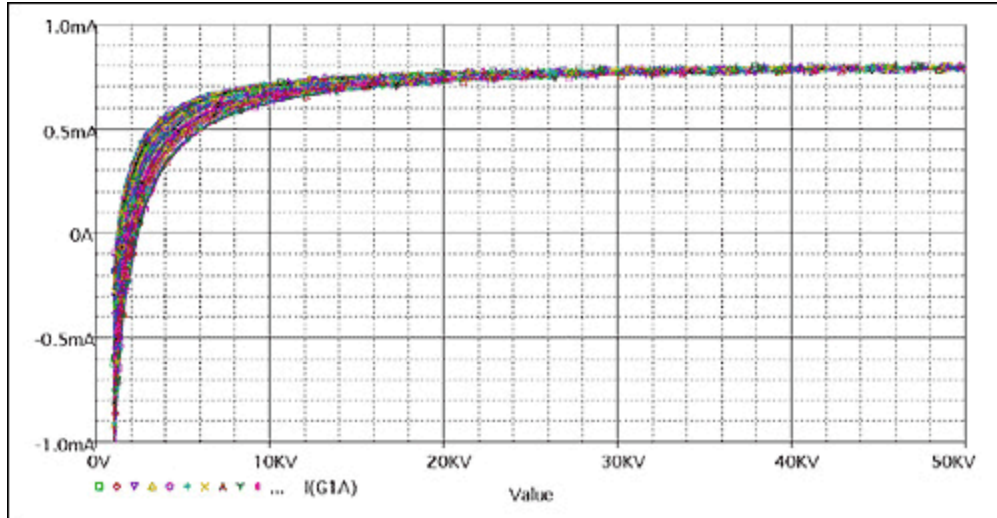


Figure 5. Solution #2 simulation results with MD and REF varied  $\pm 0.5V$  (X axis DS1859 resistance in  $\Omega$ ).

Option 2 Summary			
DS1859 Value	Photodiode Current MD = 1V	Photodiode Current MD = 1.6V	Photodiode Current MD = 2.0V
1K	-177 $\mu$ A	-777 $\mu$ A	-1177 $\mu$ A
1.94K	308 $\mu$ A	-1.74 $\mu$ A	-208 $\mu$ A
3.171K	508 $\mu$ A	318 $\mu$ A	193 $\mu$ A
50K	803 $\mu$ A	791 $\mu$ A	783 $\mu$ A
Response	Nonlinear, 1/R inverse function, positive slope		
Advantages	Wide current adjustment range, minimum parts		
Disadvantages	Photodiode current dependent on DS1859 MD voltage which varies from part to part and with temperature, nonlinear response, poor resolution at low currents		

Figure 6. Solution #2 summary.

## Solution #3

In this solution a small form factor (SC70 package) op amp, the MAX4245, is added to the circuit between REF and MD, please refer to **Figure 7**. Utilizing the same power supply as the DS1859 and MAX3740A, the op amp generates a voltage, VO, proportional to the value of MD, REF-MD, and the DS1859 resistance value. This generates a current through R2 proportional to the voltage difference between VO and MD. The effects of the voltage change at the MD pin cancel out so the current through R2 is only dependent on REF – MD, a stable 0.2V, and the resistance of the DS1859. The current through the photodiode is equal to the current thru R1 (803 $\mu$ A) + the current thru R2. The photodiode current is a linear function of potentiometer value. This circuit can work with any value potentiometer and provide current over any range. Its only limitations are the current drive capability of the MAX4245 op amp.

Voltage at the op amp output (VO) is derived and calculated as follows. Make sure the voltage at VO does not exceed the op amps maximum output swing.

$$\begin{aligned}
 VO &= REF \times - (DS1859/R3) + MD \times (1 + DS1859/R3) \\
 VO &= -REF \times DS1859/R3 + MD + MD \times DS1859/R3 \\
 VO &= MD + (MD - REF) \times DS1859/R3 \\
 VO &= MD - 0.2V \times DS1859/R3
 \end{aligned}$$

$$\begin{aligned}
 V_O &= 1.0\text{V (min)} - 0.2\text{V} \times 1\text{K (DS1859 min)}/10\text{K} = 0.98\text{V} \\
 V_O &= 1.0\text{V (min)} - 0.2\text{V} \times 50\text{K (DS1859 max)}/10\text{K} = 0\text{V} \\
 V_O &= 2.0\text{V (max)} - 0.2\text{V} \times 1\text{K (DS1859 min)}/10\text{K} = 1.98\text{V} \\
 V_O &= 2.0\text{V (max)} - 0.2\text{V} \times 50\text{K (DS1859 max)}/10\text{K} = 1.0\text{V}
 \end{aligned}$$

The current through R2 is derived and calculated as follows:

$$\begin{aligned}
 I(R2) &= (V_O - MD)/R2 \\
 I(R2) &= V_O/R2 - MD/R2 \\
 I(R2) &= (MD - 0.2\text{V} \times \text{DS1859}/R3)/R2 - MD/R2 \\
 I(R2) &= MD/R2 - 0.2\text{V} \times \text{DS1859}/R2 \times R3 - MD/R2 \\
 I(R2) &= -0.2\text{V} \times \text{DS1859}/R2 \times R3 \\
 I(R2) &= -\text{DS1859}/62,000,000 \\
 I(R2) &= -1\text{K}(\text{DS1859 min})/62,000,000 = -16\mu\text{A} \\
 I(R2) &= -50\text{K}(\text{DS1859 max})/62,000,000 = -806\mu\text{A}
 \end{aligned}$$

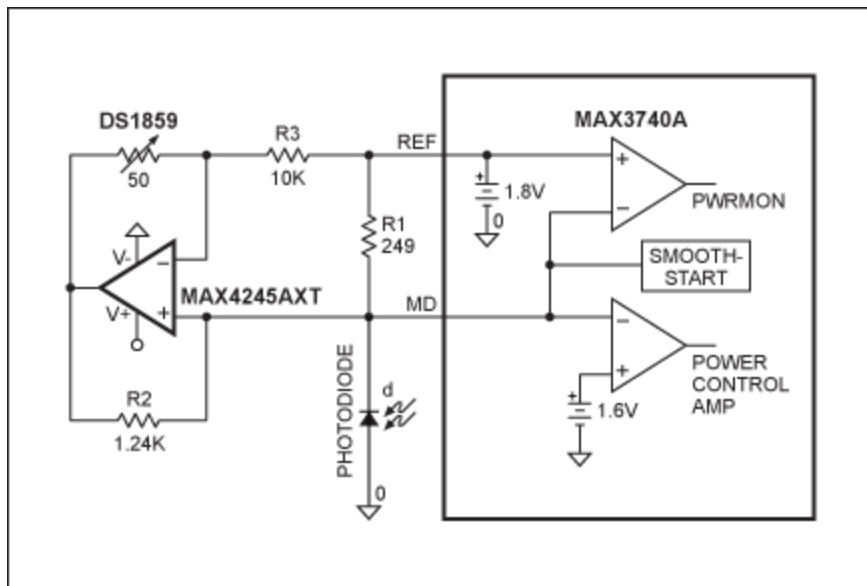


Figure 7. Solution #3 schematic.

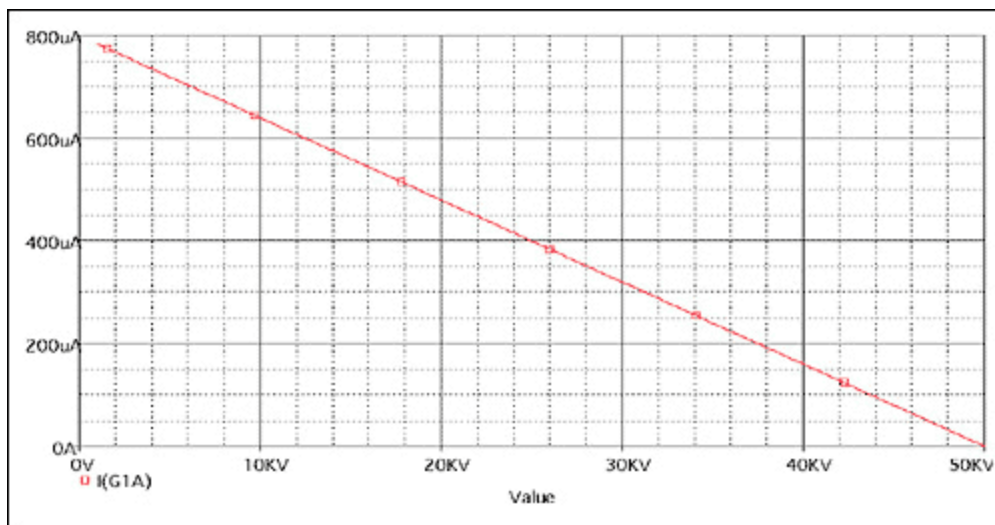


Figure 8. Solution #3 simulation results (X axis DS1859 resistance in  $\Omega$ ).

Option 3		
DS1859 Value	Photodiode Current MD = 1V	Photodiode Current MD = 2.0V
1K	784uA	784uA
28.11K	350uA	350uA
50K	0uA	0uA
<b>Response</b>	Linear, negative slope	
<b>Advantages</b>	Linear response, can be scaled for any current range desired insensitive to DS1859 MD voltage variations	
<b>Disadvantages</b>	Requires additional OpAmp and 2 resistors	

Figure 9. Solution #3 summary.

## Summary

Three solutions were presented to control the power level of the MAX3740A laser driver. Solution #1 and #2 are very simple, trading off performance for simplicity. Solution #3, by adding an op amp, results in very good linear control that is insensitive to component variations. Each designer can chose the optimum solution for their needs.

### Related Parts

<a href="#">DS1859</a>	Dual, Temperature-Controlled Resistors with Internally Calibrated Monitors	<a href="#">Free Samples</a>
<a href="#">MAX3740A</a>	3.2Gbps SFP VCSEL Driver with Diagnostic Monitors	<a href="#">Free Samples</a>

### More Information

For Technical Support: <http://www.maximintegrated.com/support>

For Samples: <http://www.maximintegrated.com/samples>

Other Questions and Comments: <http://www.maximintegrated.com/contact>

Application Note 3080: <http://www.maximintegrated.com/an3080>

APPLICATION NOTE 3080, AN3080, AN 3080, APP3080, Appnote3080, Appnote 3080

Copyright © by Maxim Integrated Products

Additional Legal Notices: <http://www.maximintegrated.com/legal>