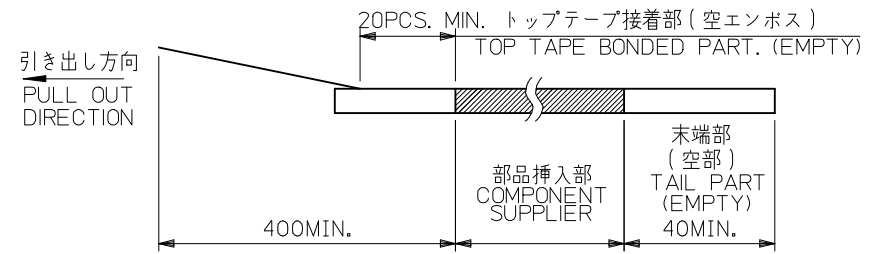
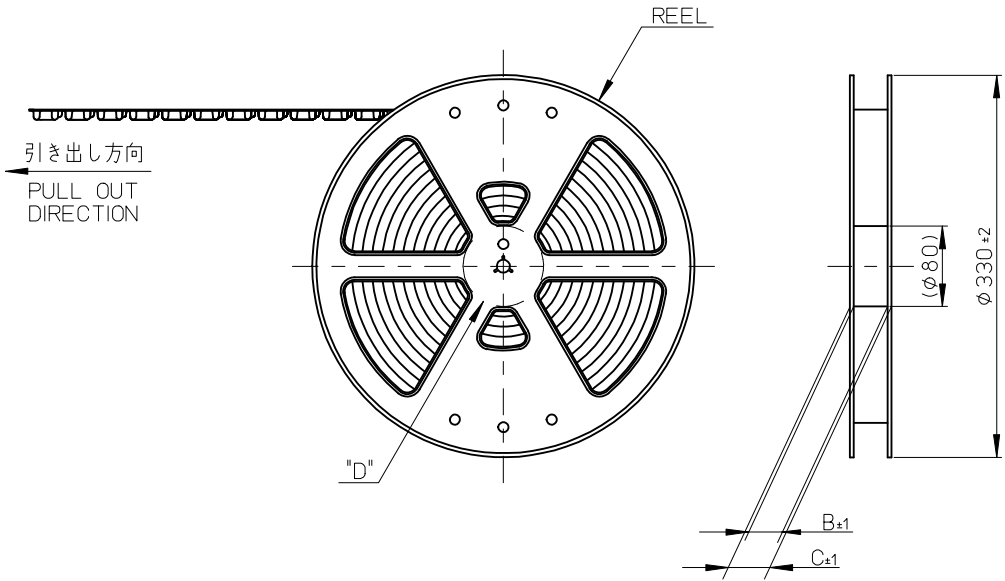
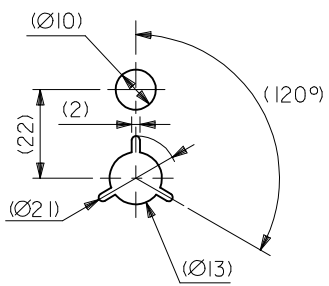


注記 NOTES

- 製品詳細寸法については製品単体図面を参照下さい。
RE DETAILED DIMENSION, SEE PRODUCT DRAWING.
- 梱包数量：3000 個／リール
NUMBER OF CONNECTORS : 3000PCS/REEL
- リードテープ長さ LEAD TAPE LENGTH

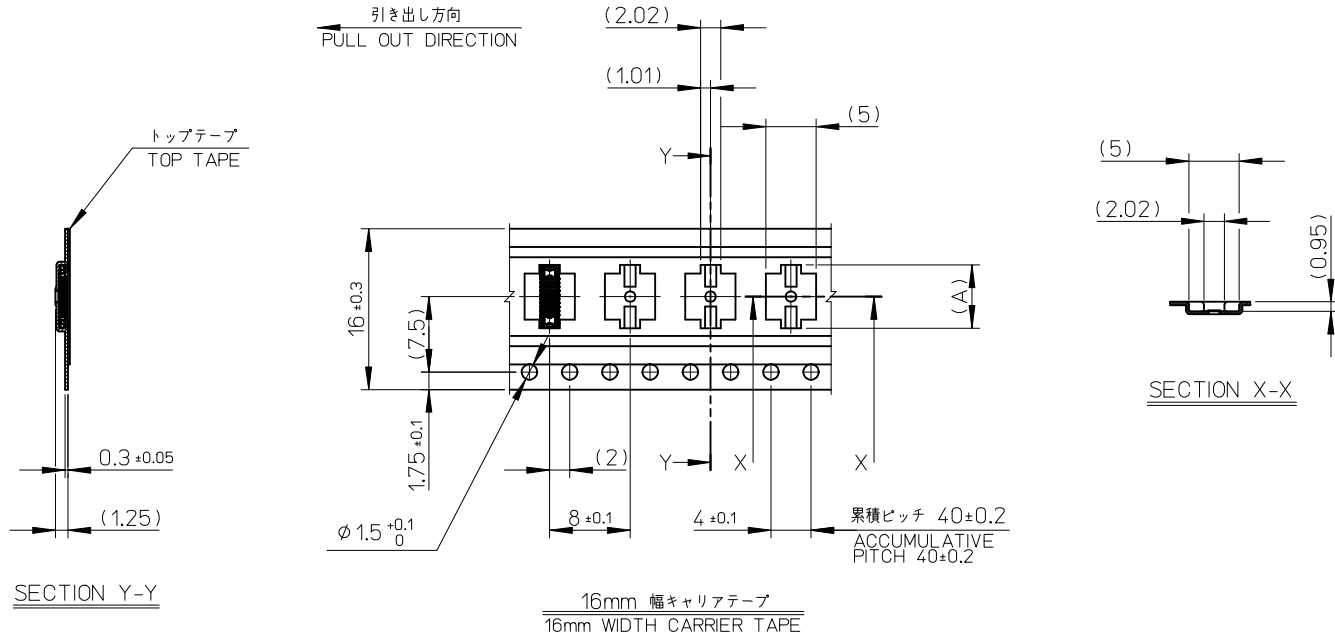


- トップテープの剥離強度については、IEC60286-3に準拠
TOP TAPE PEEL FORCE IS DEFINED BY IEC60286-3.
- 材料 MATERIAL
キャリアテープ (CARRIER TAPE) : ポリスチレン (POLYSTYRENE)
トップテープ (TOP TAPE) : PET, OTHER
リール (REEL) : ポリスチレン (PS) <リサイクル材を含む>
POLYSTYRENE (PS) <RECYCLE MATERIAL CONTAINED>
- ELV 及び RoHS適合品
ELV AND RoHS COMPLIANT



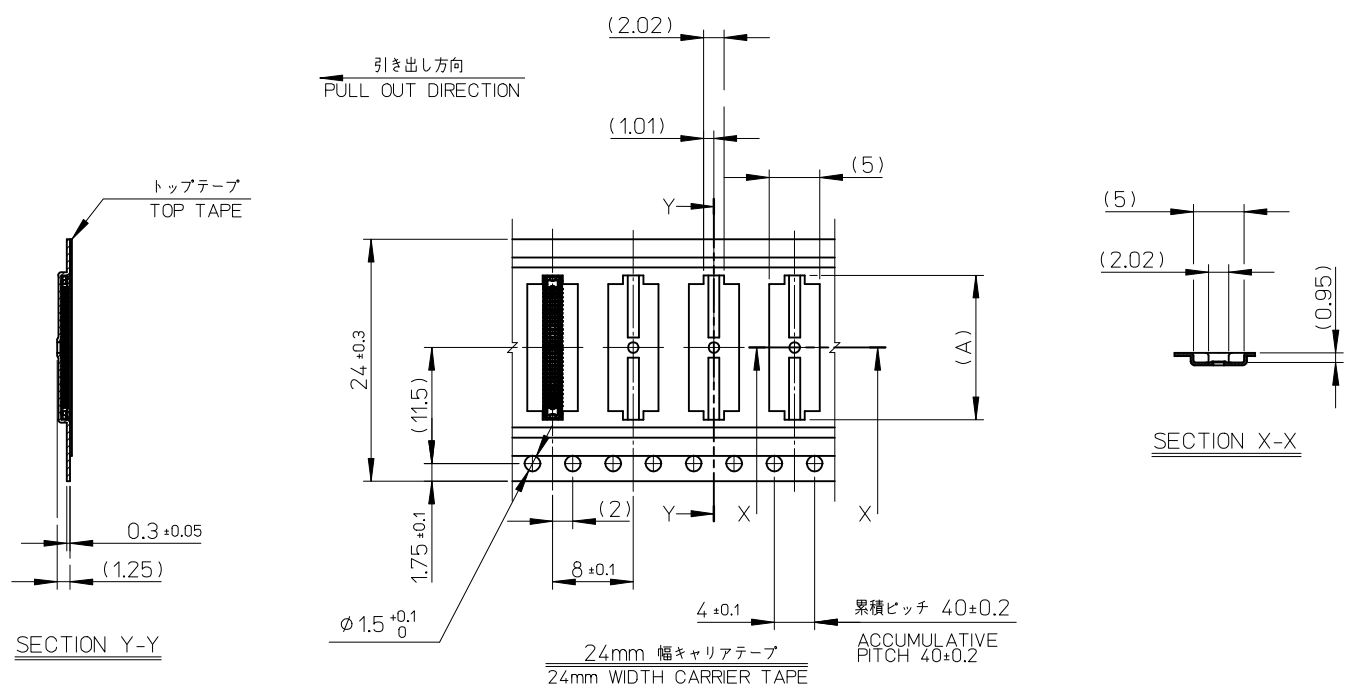
DETAIL "D"

REVISED EC NO: J2015-0167 DRWNY:ISHIDA 2014/08/01 CHKD:RTAKEUCHI 2014/08/01 APPR:KMORIKAWA 2014/08/01	DESCRIPTION REV	GENERAL TOLERANCES (UNLESS SPECIFIED)		DIMENSION STYLE MM ONLY		SCALE ---	DESIGN UNITS METRIC	THIRD ANGLE PROJECTION		
		10 UNDER	±0.2	DRAWN BY KAMINO	DATE 2014/05/13	TITLE 0.4 BB CONN. H=0.8 REC ASSY. FOR CHECKER EMBSTP. PKG				
		10 OVER 30 UNDER	±0.25	CHECKED BY TASAKAWA	DATE 2014/05/14					
		30 OVER	±0.3	APPROVED BY KMORIKAWA	DATE 2014/05/15					
ANGULAR ±1		DRAFT WHERE APPLICABLE MUST REMAIN WITHIN DIMENSIONS		MATERIAL NO. SEE SHEET 2 & 3		DOCUMENT NO. SD-504208-004		SHEET NO. 1 OF 3		
THIS DRAWING CONTAINS INFORMATION THAT IS PROPRIETARY TO MOLEX INCORPORATED AND SHOULD NOT BE USED WITHOUT WRITTEN PERMISSION										



16	21.4	17.4	7.12	504208-2480	○	---	24
			6.32	504208-2080	---	---	20
			5.52	504208-1680	○	---	16
			5.12	504208-1480	---	---	14
			4.72	504208-1280	○	---	12
			4.32	504208-1080	○	---	10
キャリアテープ幅 CARRIER TAPE WIDTH	C	B	(A)	MATERIAL No.	量産品 MASS PRODUCTION	試作対応 LOW VOL. TOOL	極数 CIRCUIT
				MODEL No.	サンプル供給 SAMPLE PREPARATION		
					504208-**-80		

SEE SHEET 1 OF 3 EC NO: J2015-0167 DRWNY: SHIDA 2014/08/01 CHKD: TAKEUCHI 2014/08/01 APPR: KMORIKAWA 2014/08/01	GENERAL TOLERANCES (UNLESS SPECIFIED)	DIMENSION STYLE MM ONLY	SCALE ---	DESIGN UNITS METRIC	THIRD ANGLE PROJECTION
	10 UNDER ± 0.2	DRAWN BY KAMINO	DATE 2014/05/13	TITLE 0.4 BB CONN. H=0.8 REC ASSY. FOR CHECKER EMBSTP. PKG	
	10 OVER 30 UNDER ± 0.25	CHECKED BY TASAKAWA	DATE 2014/05/14		
	30 OVER ± 0.3	APPROVED BY KMORIKAWA	DATE 2014/05/15		
ANGULAR ± 1	MATERIAL NO.	SEE CHART	DOCUMENT NO. SD-504208-004	SHEET NO. 2 OF 3	
DRAFT WHERE APPLICABLE MUST REMAIN WITHIN DIMENSIONS	SIZE A3	THIS DRAWING CONTAINS INFORMATION THAT IS PROPRIETARY TO MOLEX INCORPORATED AND SHOULD NOT BE USED WITHOUT WRITTEN PERMISSION			

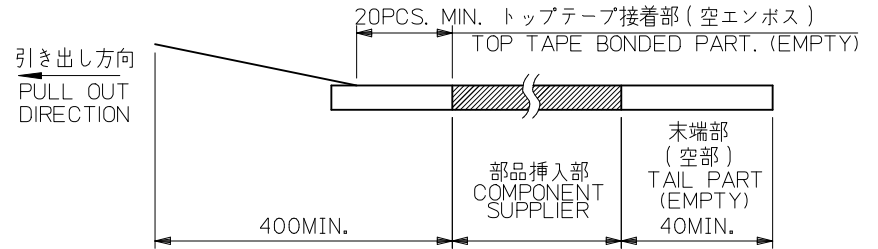
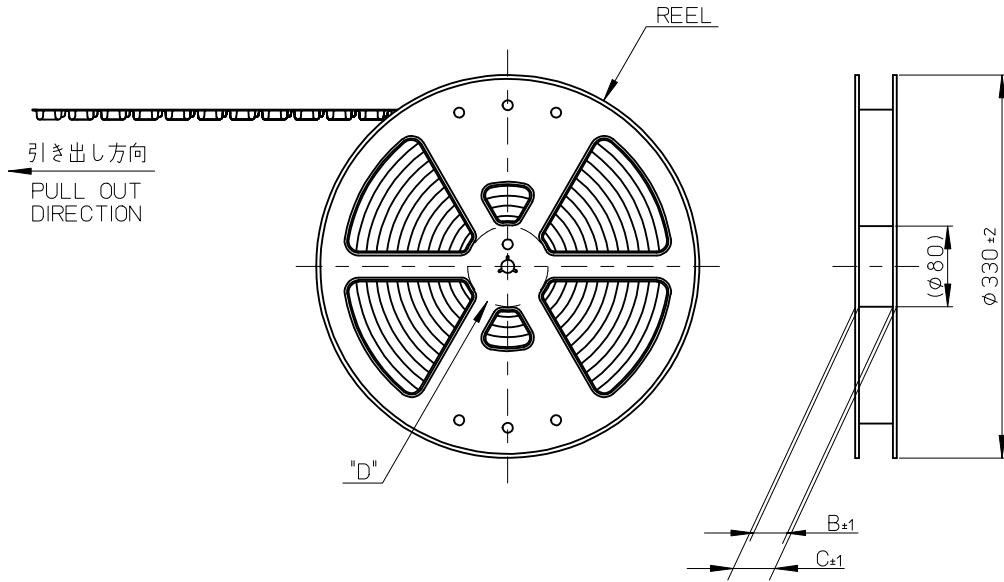


24	29.4	25.4	12.32	504208-5080	o	---	50	
			10.32	504208-4080	o	---	40	
			9.12	504208-3480	o	---	34	
			8.32	504208-3080	o	---	30	
キャリアテープ幅 CARRIER TAPE WIDTH		C	B	(A)	MATERIAL No.	量産品 MASS PRODUCTION	試作対応 LOW VOL. TOOL	極数 CIRCUIT
				MODEL No.	504208-**-80			

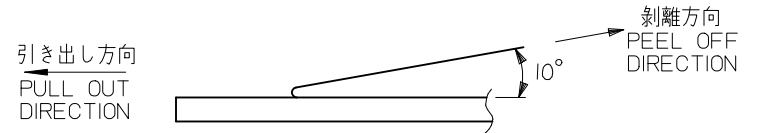
SEE SHEET 1 OF 3 EC NO: J2015-0167 DRWN: Y.ISHIDA 2014/08/01 CHK'D: R.TAKEUCHI 2014/08/01 APPR: K.MORIKAWA 2014/08/01	GENERAL TOLERANCES (UNLESS SPECIFIED)		DIMENSION STYLE MM ONLY		SCALE	DESIGN UNITS	THIRD ANGLE PROJECTION
	10 UNDER ±0.2 10 OVER 30 UNDER ±0.25 30 OVER ±0.3		DRAWN BY DATE KAMINO 2014/05/13		---	METRIC	
	ANGULAR ±1° DRAFT WHERE APPLICABLE MUST REMAIN WITHIN DIMENSIONS		CHECKED BY DATE TASAKAWA 2014/05/14		TITLE 0.4 BB CONN. H=0.8 REC ASSY. FOR CHECKER EMBSTP. PKG		
			APPROVED BY DATE KMORIKAWA 2014/05/15		molex DOCUMENT NO. SD-504208-004		
A			SEE CHART SIZE A3		THIS DRAWING CONTAINS INFORMATION THAT IS PROPRIETARY TO MOLEX INCORPORATED AND SHOULD NOT BE USED WITHOUT WRITTEN PERMISSION		SHEET NO. 3 OF 3

注記 NOTES

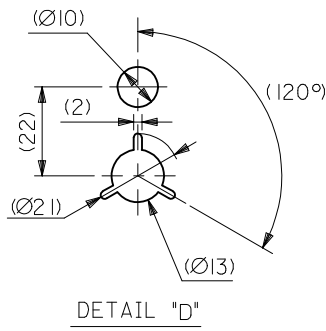
- 製品詳細寸法については製品単体図面を参照下さい。
RE DETAILED DIMENSION, SEE PRODUCT DRAWING.
- 梱包数量: 3000 個/リール
NUMBER OF CONNECTORS : 3000PCS/REEL
- リードテープ長さ LEAD TAPE LENGTH



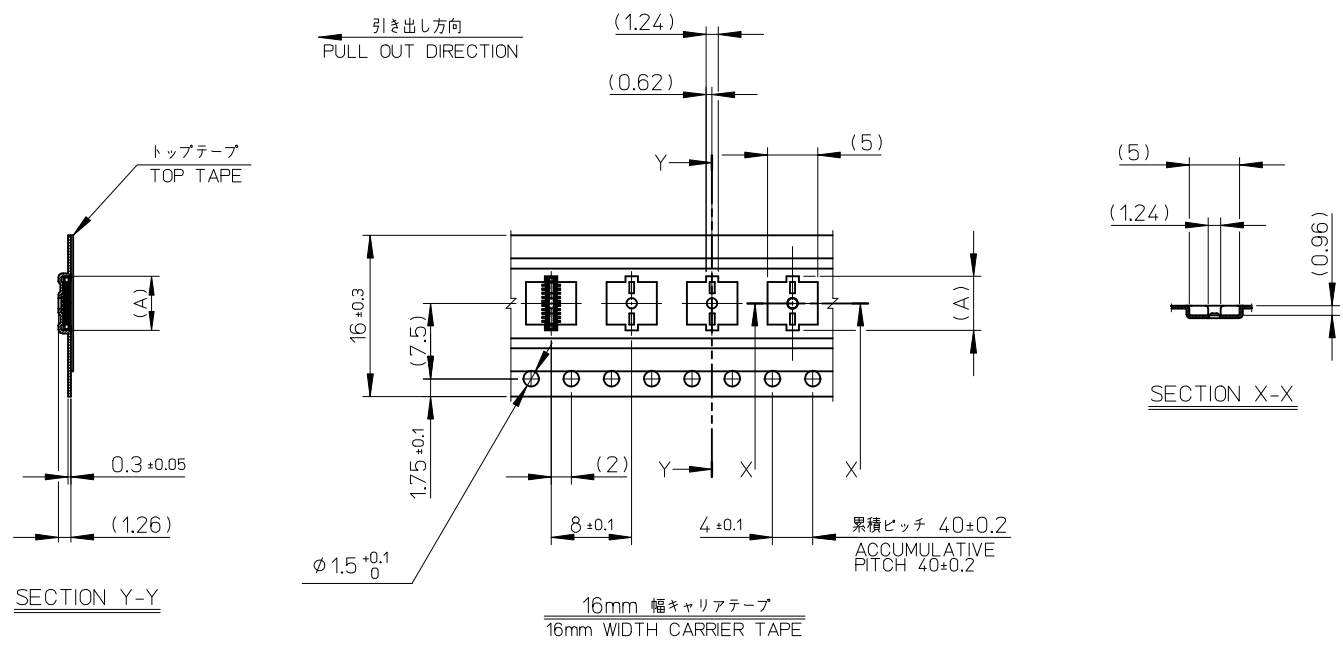
- トップテープの剥離強度: 0.1N~1.3N(10gf~130gf)
(剥離方向は下図参照)
尚、本規格値は出荷時に適用。(但し、輸送時に剥離が発生しないこと。)
PEELING OFF FORCE OF TOP TAPE : 0.1N~1.3N(10gf~130gf)
(PEELING DIRECTION AS SHOWN IN FOLLOWING FIG.)
THIS REQUIREMENT SHOULD BE APPLIED AT SHIPMENT.
PEEL OFF SHOULD NOT BE ALLOWED, DURING TRANSPORTION.



- 材料 MATERIAL
キャリアテープ (CARRIER TAPE) : ポリスチレン (POLYSTYRENE)
トップテープ (TOP TAPE) : PET, OTHER
リール (REEL) : ポリスチレン (PS) <リサイクル材を含む>
POLYSTYRENE (PS) <RECYCLE MATERIAL CONTAINED>
- ELV 及び RoHS適合品
ELV AND RoHS COMPLIANT

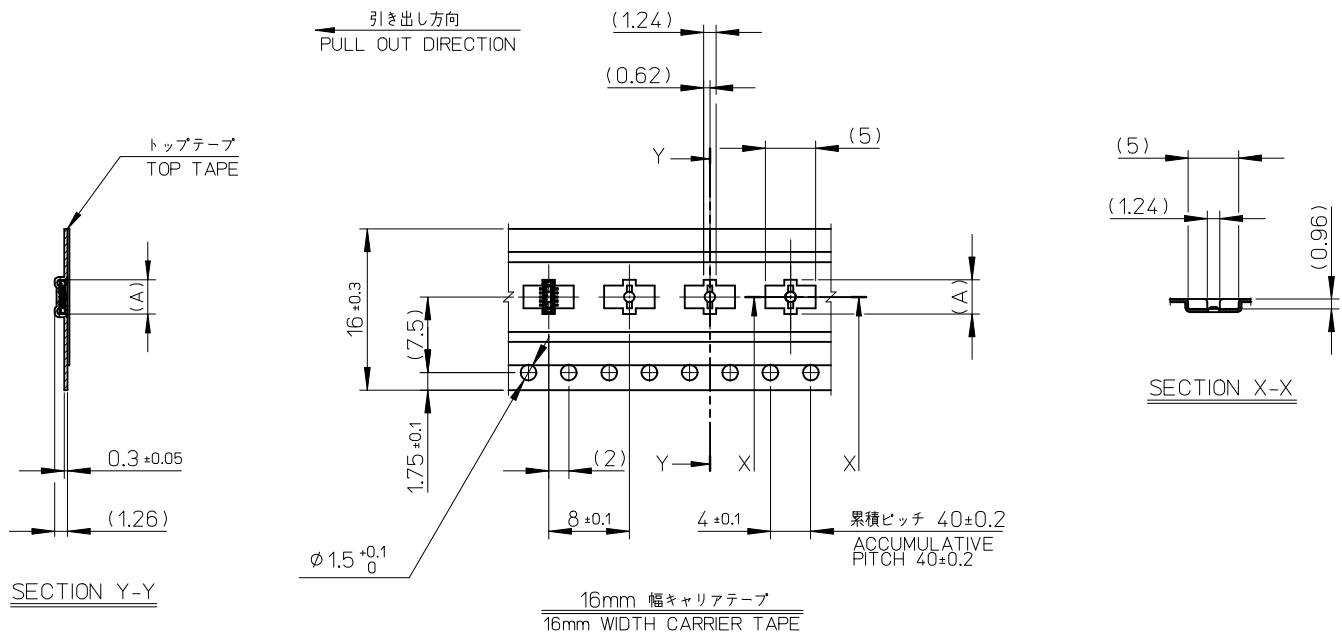


REVISED EC NO: J2014-1162 DRWN:KAMINO 2014/01/27 CHKD:TASAKAWA 2014/01/27 APPR:KMORIKAWA 2014/01/28	DESCRIPTION REV	GENERAL TOLERANCES (UNLESS SPECIFIED)		DIMENSION STYLE MM ONLY		SCALE ---	DESIGN UNITS METRIC	THIRD ANGLE PROJECTION		
		10 UNDER	±0.2	DRAWN BY KAMINO	DATE 2013/05/23	TITLE 0.4 BB CONN. H=0.8 ST8 PLUG ASSY. EMBSTP. PKG				
		10 OVER 30 UNDER	±0.25	CHECKED BY RTAKEUCHI	DATE 2013/05/23					
		30 OVER	±0.3	APPROVED BY MSASAO	DATE 2013/05/30					
ANGULAR ±1 °		DRAFT WHERE APPLICABLE MUST REMAIN WITHIN DIMENSIONS		MATERIAL NO. SEE SHEET 2,3 & 4	DOCUMENT NO. SD-504248-002			SHEET NO. 1 OF 4		
THIS DRAWING CONTAINS INFORMATION THAT IS PROPRIETARY TO MOLEX INCORPORATED AND SHOULD NOT BE USED WITHOUT WRITTEN PERMISSION										



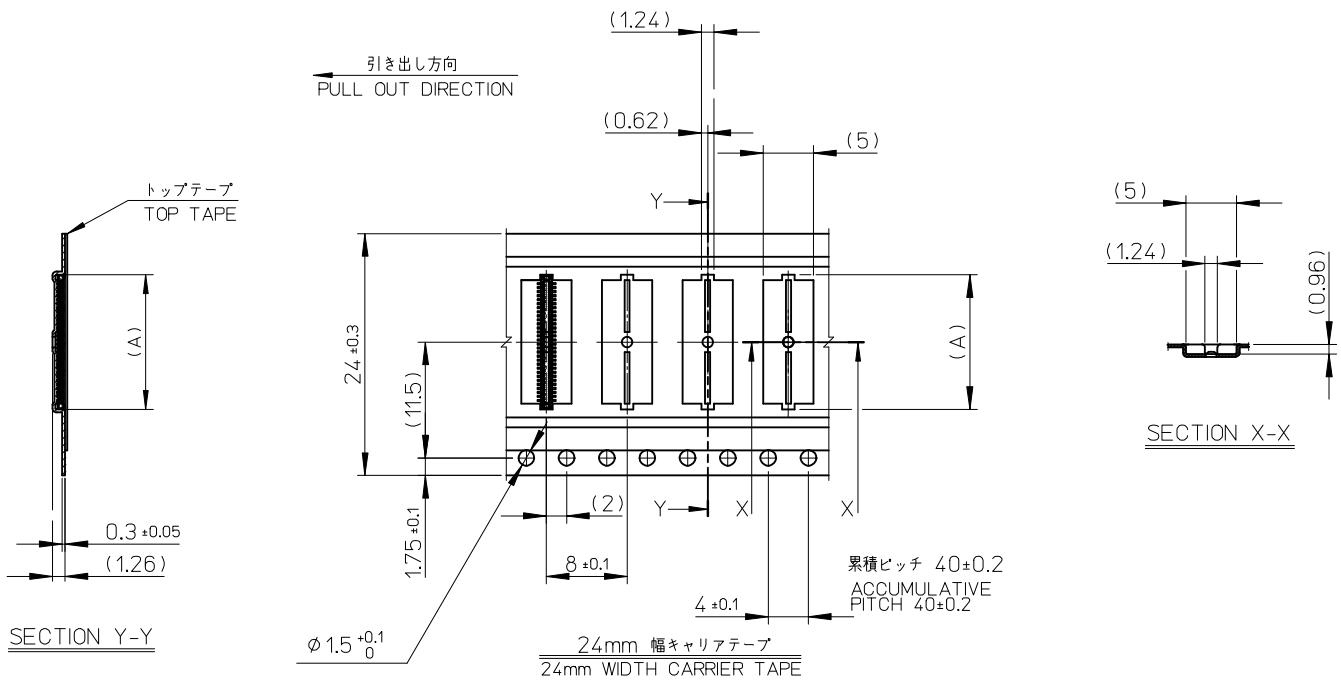
16	21.4	17.4	6.18	504248-2410	○	---	24
			5.38	504248-2010	○	---	20
			4.58	504248-1610	○	---	16
			3.78	504248-1210	○	---	12
キャリアテープ幅 CARRIER TAPE WIDTH	C	B	(A)	MATERIAL No.	量産品 MASS PRODUCTION	試作対応 LOW VOL. TOOL	極数 CIRCUIT
				MODEL No.	サンプル供給 SAMPLE PREPARATION		504248-**10

SEE SHEET 1 OF 4 EC NO: J2014-1162 DRW:KAMINO 2014/01/27 CHKD:TASAKAWA 2014/01/27 APPR:KMORIKAWA 2014/01/28	GENERAL TOLERANCES (UNLESS SPECIFIED)		DIMENSION STYLE MM ONLY		SCALE ---	DESIGN UNITS METRIC	THIRD ANGLE PROJECTION
	10 UNDER	±0.2	DRAWN BY KAMINO	DATE 2013/05/23	TITLE 0.4 BB CONN. H=0.8 ST8 PLUG ASSY. EMBSTP. PKG		
	10 OVER 30 UNDER	±0.25	CHECKED BY RTAKEUCHI	DATE 2013/05/23	molex		
	30 OVER	±0.3	APPROVED BY MSASAO	DATE 2013/05/30			
ANGULAR	±1°	MATERIAL NO. SEE CHART		DOCUMENT NO. SD-504248-002	SHEET NO. 2 OF 4		
DRAFT WHERE APPLICABLE MUST REMAIN WITHIN DIMENSIONS		THIS DRAWING CONTAINS INFORMATION THAT IS PROPRIETARY TO MOLEX INCORPORATED AND SHOULD NOT BE USED WITHOUT WRITTEN PERMISSION					



16	21.4	17.4	3.38	504248-1010	o	---	10
キャリアテープ幅 CARRIER TAPE WIDTH				C	B	(A)	MATERIAL No.
				MODEL No.	504248-**-10		
					量産品 MASS PRODUCTION	試作対応 LOW VOL. TOOL	極数 CIRCUIT
					サンプル供給 SAMPLE PREPARATION		

SEE SHEET 1 OF 4 EC NO: J2014-1162 DRWN: KAMINO 2014/01/27 CHKD: TASAKAWA 2014/01/27 APPR: KMORIKAWA 2014/01/28	GENERAL TOLERANCES (UNLESS SPECIFIED)		DIMENSION STYLE MM ONLY		SCALE ---	DESIGN UNITS METRIC	THIRD ANGLE PROJECTION
	10 UNDER	±0.2	DRAWN BY KAMINO	DATE 2013/05/23	TITLE 0.4 BB CONN. H=0.8 ST8 PLUG ASSY. EMBSTP. PKG		
	10 OVER 30 UNDER	±0.25	CHECKED BY RTAKEUCHI	DATE 2013/05/23	molex DOCUMENT NO. SD-504248-002 SHEET NO. 3 OF 4		
	30 OVER	±0.3	APPROVED BY MSASAO	DATE 2013/05/30			
ANGULAR ±1°		MATERIAL NO.		THIS DRAWING CONTAINS INFORMATION THAT IS PROPRIETARY TO MOLEX INCORPORATED AND SHOULD NOT BE USED WITHOUT WRITTEN PERMISSION			
DRAFT WHERE APPLICABLE MUST REMAIN WITHIN DIMENSIONS		SEE CHART					

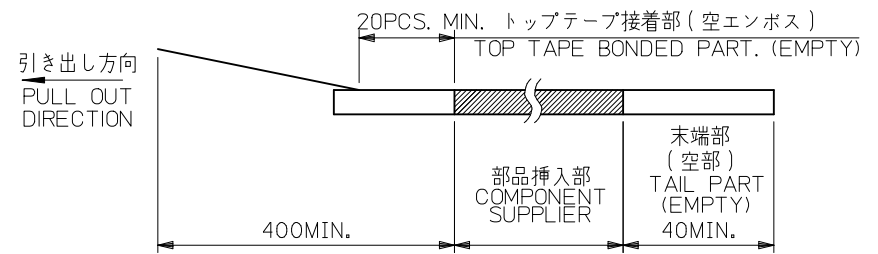
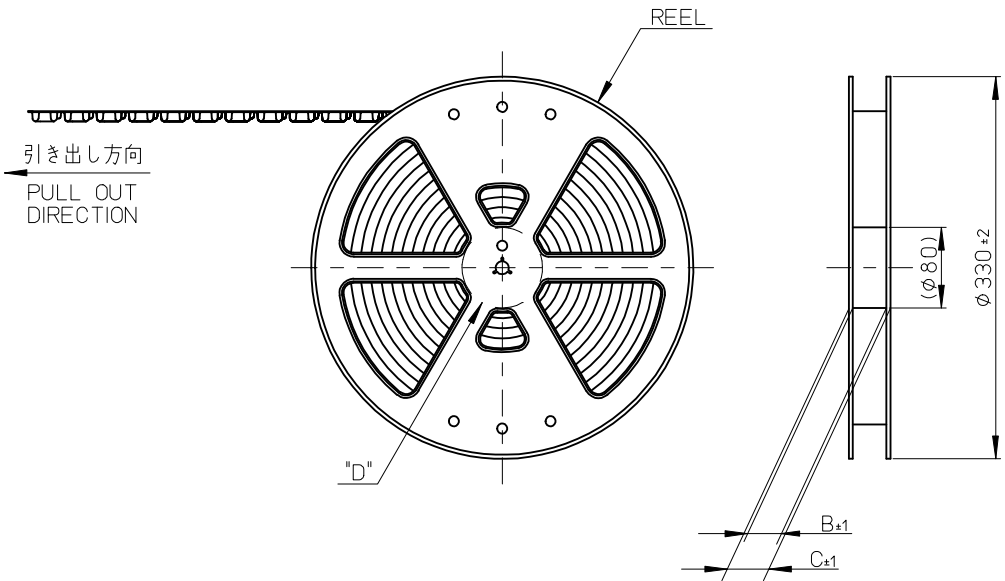


24	29.4	25.4	11.38	504248-5010	○	---	50	
			9.38	504248-4010	○	---	40	
			8.18	504248-3410	○	---	34	
			7.38	504248-3010	○	---	30	
キャリアテープ幅 CARRIER TAPE WIDTH		C	B	(A)	MATERIAL No.	量産品 MASS PRODUCTION	試作対応 LOW VOL. TOOL	極数 CIRCUIT
				MODEL No.	504248-**-10			

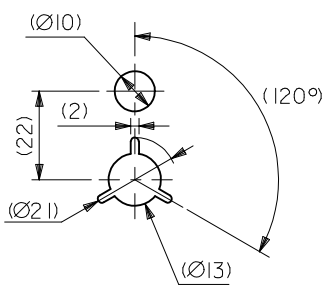
SEE SHEET 1 OF 4 EC NO: J2014-1162 DRWN: KAMINO 2014/01/27 CHKD: TASAKAWA 2014/01/27 APPR: KMORIKAWA 2014/01/28	DESCRIPTION REV	GENERAL TOLERANCES (UNLESS SPECIFIED)		DIMENSION STYLE MM ONLY		SCALE ---	DESIGN UNITS METRIC	THIRD ANGLE PROJECTION	
		10 UNDER	± 0.2	DRAWN BY KAMINO	DATE 2013/05/23	TITLE 0.4 BB CONN. H=0.8 ST8 PLUG ASSY. EMBSTP. PKG			
		10 OVER 30 UNDER	± 0.25	CHECKED BY RTAKEUCHI	DATE 2013/05/23				
		30 OVER	± 0.3	APPROVED BY MSASAO	DATE 2013/05/30				
ANGULAR ±1 °		DRAFT WHERE APPLICABLE MUST REMAIN WITHIN DIMENSIONS		MATERIAL NO. SEE CHART		DOCUMENT NO. SD-504248-002		SHEET NO. 4 OF 4	

注記 NOTES

- 製品詳細寸法については製品単体図面を参照下さい。
RE DETAILED DIMENSION, SEE PRODUCT DRAWING.
- 梱包数量：3000 個／リール
NUMBER OF CONNECTORS : 3000PCS/REEL
- リードテープ長さ LEAD TAPE LENGTH

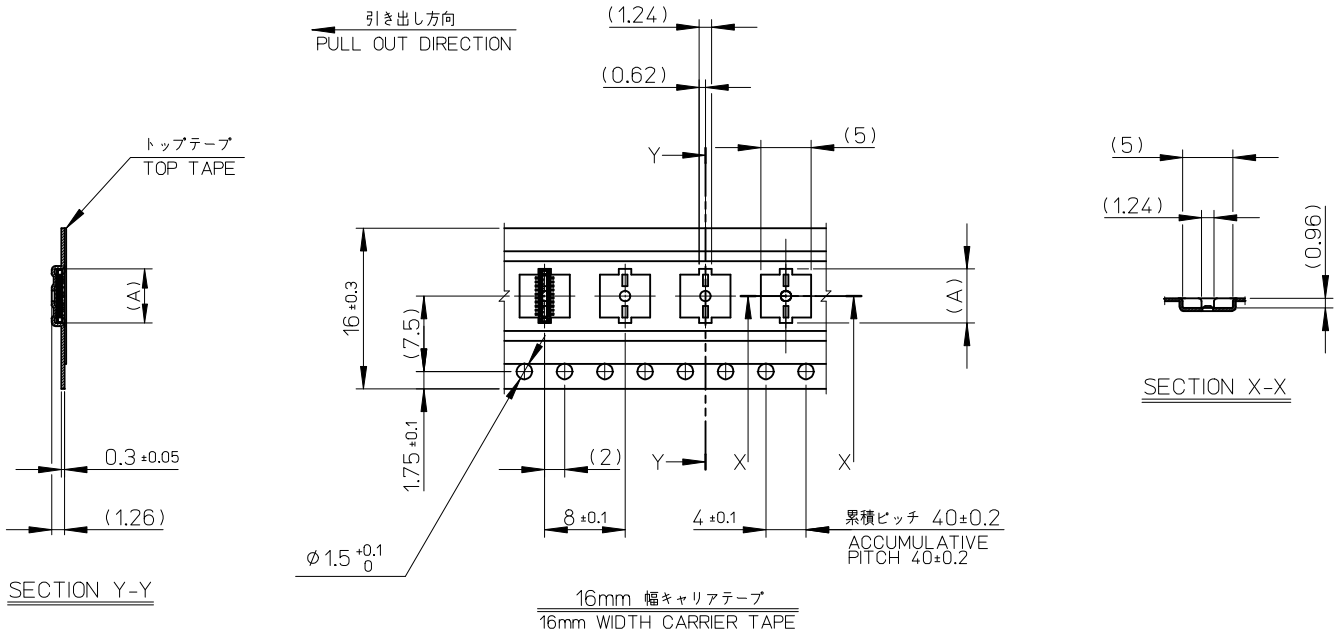


- トップテープの剥離強度については、IEC60286-3に準拠
TOP TAPE PEEL FORCE IS DEFINED BY IEC60286-3.
- 材料 MATERIAL
キャリアテープ (CARRIER TAPE) : ポリスチレン (POLYSTYRENE)
トップテープ (TOP TAPE) : PET , OTHER
リール (REEL) : ポリスチレン (PS) <リサイクル材を含む>
POLYSTYRENE (PS) <RECYCLE MATERIAL CONTAINED>
- ELV 及び RoHS適合品
ELV AND RoHS COMPLIANT



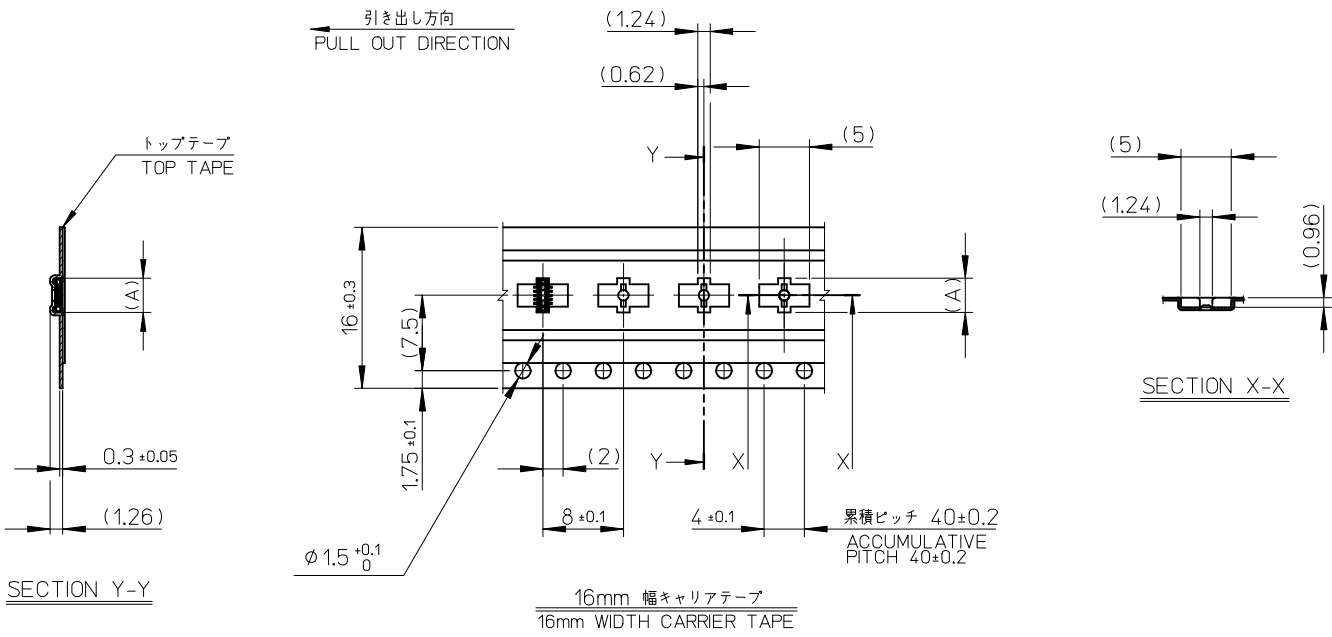
DETAIL "D"

REVISED EC NO: J2015-0809 DRWN: JFURUKAWA 2014/12/15 CHKD: TASAKAWA 2014/12/15 APPR: KMORIKAWA 2014/12/19	GENERAL TOLERANCES (UNLESS SPECIFIED)		DIMENSION STYLE MM ONLY		SCALE 1:1	DESIGN UNITS METRIC	THIRD ANGLE PROJECTION
	0.25 UNDER	±0.03	DRAWN BY	DATE	TITLE		
	0.25 OVER 0.5 UNDER	±0.05	KAMINO	2014/05/13	0.4 BB CONN. H=0.8 PLUG ASSY. FOR CHECKER EMBSTP. PKG		
	0.5 OVER 1.0 UNDER	±0.1	CHECKED BY	DATE	molex		
	1.0 OVER 10 UNDER	±0.2	TASAKAWA	2014/05/14			
10 OVER 30 UNDER	±0.25	APPROVED BY	DATE	MATERIAL NO.	DOCUMENT NO.	SHEET NO.	
30 OVER	±0.3	KMORIKAWA	2014/05/15	SEE SHEET 2,3 & 4	SD-504248-004	1 OF 4	
ANGULAR	±1 °	DRAFT WHERE APPLICABLE MUST REMAIN WITHIN DIMENSIONS		SIZE A3	THIS DRAWING CONTAINS INFORMATION THAT IS PROPRIETARY TO MOLEX INCORPORATED AND SHOULD NOT BE USED WITHOUT WRITTEN PERMISSION		



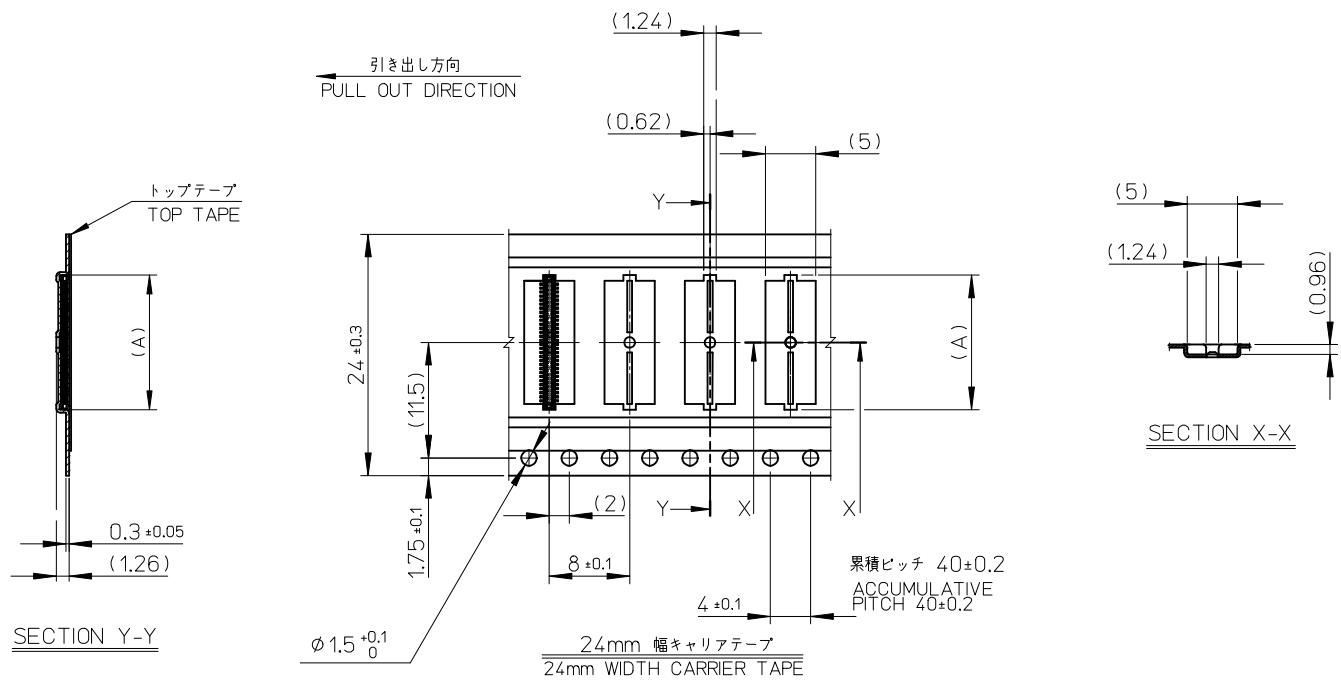
16	21.4	17.4	6.18	504248-2480	o	---	24
キャリアテープ幅 CARRIER TAPE WIDTH				C	B	(A)	MATERIAL No.
				MODEL No.	504248-**80		
				量産品 MASS PRODUCTION	試作対応 LOW VOL. TOOL	極数 CIRCUIT	24
				サンプル供給 SAMPLE PREPARATION			

SEE SHEET 1 OF 4 EC NO: J2015-0809 DRWN: JURUKAWA 2014/12/15 CHKD: TASAKAWA 2014/12/15 APPR: KMORIKAWA 2014/12/19	GENERAL TOLERANCES (UNLESS SPECIFIED)		DIMENSION STYLE MM ONLY		SCALE ---	DESIGN UNITS METRIC	THIRD ANGLE PROJECTION
	0.25 UNDER	±0.03	DRAWN BY	DATE	TITLE		
	0.25 OVER 0.5 UNDER	±0.05	KAMINO	2014/05/13	0.4 BB CONN. H=0.8 PLUG ASSY. FOR CHECKER EMBSTP. PKG		
	0.5 OVER 1.0 UNDER	±0.1	CHECKED BY	DATE	molex		
	1.0 OVER 10 UNDER	±0.2	TASAKAWA	2014/05/14			
10 OVER 30 UNDER	±0.25	APPROVED BY	DATE	DOCUMENT NO.	SHEET NO.		
30 OVER	±0.3	KMORIKAWA	2014/05/15	SD-504248-004	2 OF 4		
ANGULAR ±1 °		MATERIAL NO.	SEE CHART	THIS DRAWING CONTAINS INFORMATION THAT IS PROPRIETARY TO MOLEX INCORPORATED AND SHOULD NOT BE USED WITHOUT WRITTEN PERMISSION			
DRAFT WHERE APPLICABLE MUST REMAIN WITHIN DIMENSIONS		SIZE A3					



16	21.4	17.4	3.38	504248-1080	o	---	10
キャリアテープ幅 CARRIER TAPE WIDTH				C	B	(A)	MATERIAL No.
				MODEL No.		504248-**80	
				量産品 MASS PRODUCTION	試作対応 LOW VOL. TOOL	極数 CIRCUIT	
				サンプル供給 SAMPLE PREPARATION			

SEE SHEET 1 OF 4 EC NO: J2015-0809 DRWN: JFURUKAWA 2014/12/15 CHKD: TASAKAWA 2014/12/15 APPR: KMORIKAWA 2014/12/19	GENERAL TOLERANCES (UNLESS SPECIFIED)		DIMENSION STYLE MM ONLY		SCALE ---	DESIGN UNITS METRIC	THIRD ANGLE PROJECTION
	0.25 UNDER	±0.03	DRAWN BY	DATE	TITLE		
	0.25 OVER 0.5 UNDER	±0.05	KAMINO	2014/05/13	0.4 BB CONN. H=0.8 PLUG ASSY. FOR CHECKER EMBSTP. PKG		
	0.5 OVER 1.0 UNDER	±0.1	TASAKAWA	2014/05/14	molex		
	1.0 OVER 10 UNDER	±0.2	APPROVED BY	DATE			
10 OVER 30 UNDER	±0.25	KMORIKAWA	2014/05/15	MATERIAL NO.	DOCUMENT NO.	SHEET NO.	
30 OVER	±0.3	SEE CHART		SD-504248-004	3 OF 4		
ANGULAR	±1 °	THIS DRAWING CONTAINS INFORMATION THAT IS PROPRIETARY TO MOLEX INCORPORATED AND SHOULD NOT BE USED WITHOUT WRITTEN PERMISSION					
DRAFT WHERE APPLICABLE MUST REMAIN WITHIN DIMENSIONS		SIZE A3					



24	29.4	25.4	11.38	504248-5080	o	---	50
			9.38	504248-4080	o	---	40
			8.18	504248-3480	o	---	34
			7.38	504248-3080	o	---	30
キャリアテープ幅 CARRIER TAPE WIDTH	C	B	(A)	MATERIAL No.	最製品 MASS PRODUCTION	試作対応 LOW VOL. TOOL	極数 CIRCUIT
				MODEL No.	サンプル供給 SAMPLE PREPARATION		504248-**-80

SEE SHEET 1 OF 4 EC NO: J2015-0809 DRWN: JFURUKAWA 2014/12/15 CHKD: TASAKAWA 2014/12/15 APPR: KMORIKAWA 2014/12/19	GENERAL TOLERANCES (UNLESS SPECIFIED)		DIMENSION STYLE MM ONLY		SCALE ---	DESIGN UNITS METRIC	THIRD ANGLE PROJECTION
	0.25 UNDER	± 0.03	DRAWN BY	DATE	TITLE		
	0.25 OVER 0.5 UNDER	± 0.05	KAMINO	2014/05/13	0.4 BB CONN. H=0.8 PLUG ASSY. FOR CHECKER EMBSTP. PKG		
	0.5 OVER 1.0 UNDER	± 0.1	CHECKED BY	DATE	molex		
	1.0 OVER 10 UNDER	± 0.2	TASAKAWA	2014/05/14			
10 OVER 30 UNDER	± 0.25	APPROVED BY	DATE	DOCUMENT NO.	SHEET NO.		
30 OVER	± 0.3	KMORIKAWA	2014/05/15	SD-504248-004	4 OF 4		
ANGULAR	± 1 °	MATERIAL NO.	SEE CHART				
DRAFT WHERE APPLICABLE MUST REMAIN WITHIN DIMENSIONS			SIZE A3	THIS DRAWING CONTAINS INFORMATION THAT IS PROPRIETARY TO MOLEX INCORPORATED AND SHOULD NOT BE USED WITHOUT WRITTEN PERMISSION			