

TLE9104SH

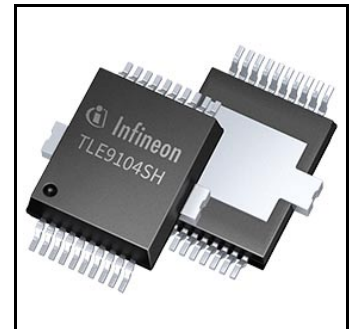
Smart Quad Channel Powertrain Switch



1 Overview

Features

- Configurable overcurrent protection
- Overtemperature protection
- Open load detection
- Short circuit to GND detection
- Electrostatic Discharge (ESD) protection
- 16-Bit SPI (for diagnostic and control)
- Soldering: Automated Optical Inspection capability (AOI)
- Green product (completely lead free)
- AEC qualified



Potential applications

The TLE9104SH is best suited for Automotive Powertrain applications. It can be used as driver IC for inductive and ohmic actuators such as injectors, solenoids and relays.

Product validation

Qualified for Automotive Applications. Product Validation according to AEC-Q100/101.

Description

Quad Low-Side Switch in Smart Power Technology (SPT) with four open drain DMOS output stages. The TLE9104SH is protected by embedded protection functions and designed for automotive powertrain applications. The output stages can be controlled directly by parallel inputs for PWM applications (for example gasoline multiport injection) or by SPI.

Type	Package	Marking
TLE9104SH	PG-DSO-20-88	TLE9104SH

Overview

Table 1 **Product summary**

Parameter	Symbol	Value, Unit
Signal supply voltage	V_{IO}	3.0...5.5 V
Analog supply voltage	V_{DD}	4.5...5.5 V
Output clamping voltage	$V_{DS(AZ)}$	50...60 V
Typical On-state resistance CH 1-4 at $T_j = 25^\circ\text{C}$	$R_{DS(ON)}$	150 m Ω
Typical On-state resistance CH 1-4 at $T_j = 150^\circ\text{C}$	$R_{DS(ON)}$	300 m Ω
Nominal load current CH 1-4 (continuous)	I_D	3 A
Short circuit to battery detection threshold CH 1-4	I_{SCB}	5 A

Table of contents

1	Overview	1
2	Block diagram	4
3	Pin configuration	5
3.1	Pin assignment	5
3.2	Pin definitions and functions	5
4	General product characteristics	7
4.1	Absolute maximum ratings	7
4.2	Operating conditions	8
5	Electrical and functional description of blocks	9
5.1	Power supply	9
5.2	Parallel inputs	10
5.3	Power stages	10
5.4	Protection functions	12
5.4.1	Overtemperature protection	12
5.4.2	Short circuit to battery protection	12
5.4.3	Overcurrent protections	12
5.5	Diagnostic functions	12
5.5.1	Output stage status	15
5.6	Communication watchdog	16
6	16 bit SPI interface	17
6.1	Electrical characteristics 16 bit SPI interface	17
6.2	SPI registers	19
6.2.1	Registers	22
7	Package outlines	32
8	Application information	33
9	Revision history	34

Block diagram

2 Block diagram

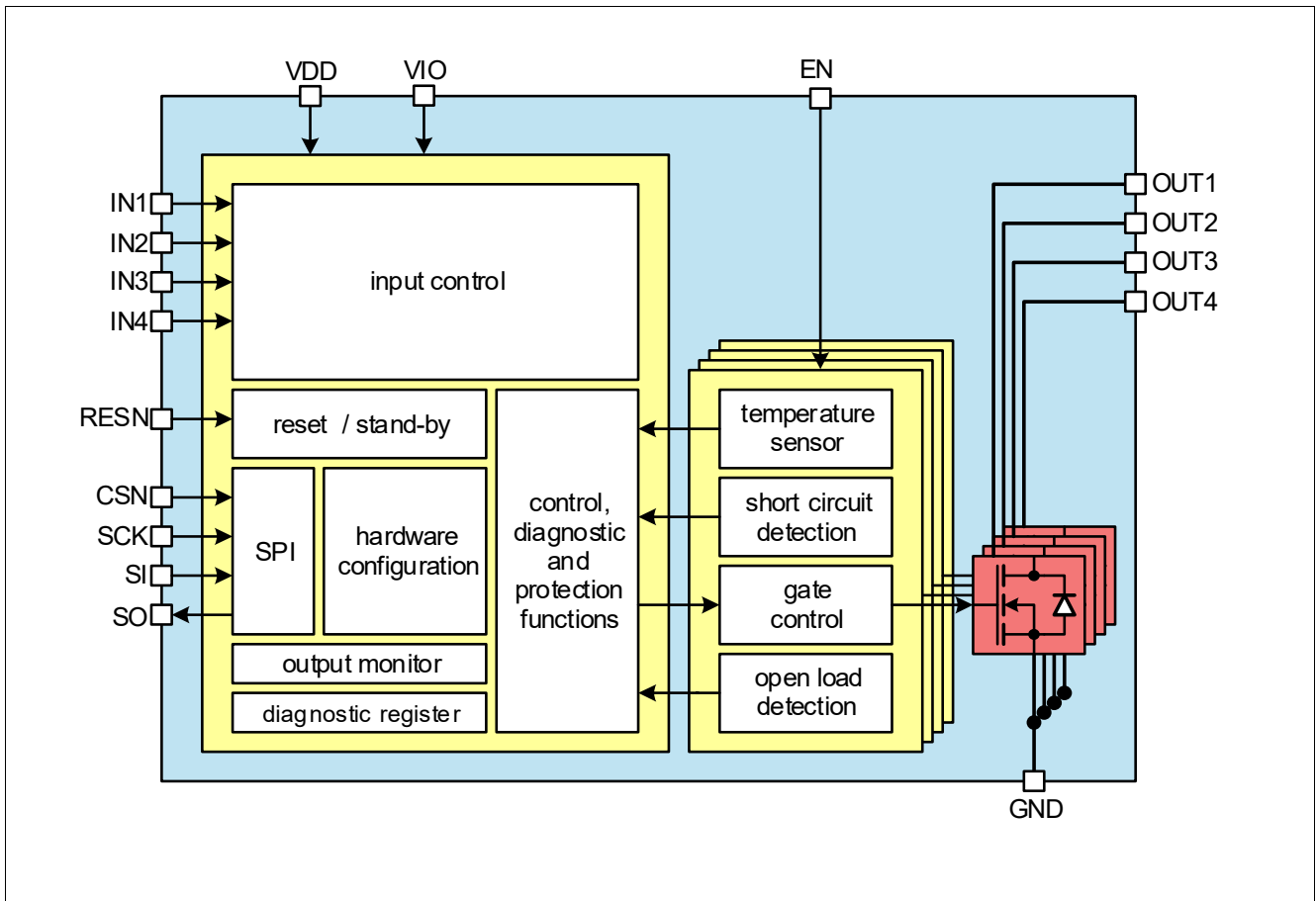


Figure 2-1 Block diagram

Pin configuration

3 Pin configuration

3.1 Pin assignment

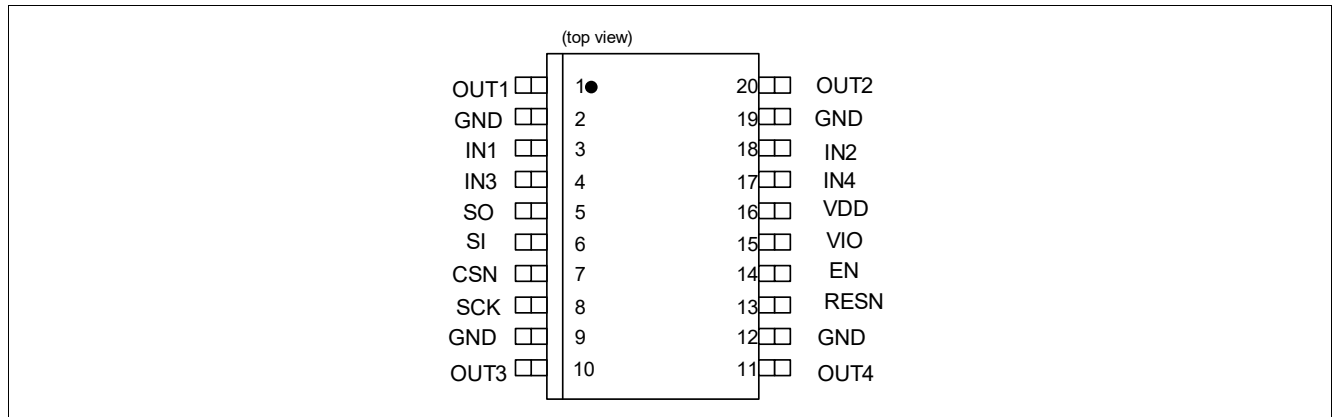


Figure 3-1 Pin configuration (top view)

3.2 Pin definitions and functions

Table 3-1 Pin configuration

#	Pin Name	Function
1	OUT1	Power Output 1
2	GND	Ground
3	IN1	Input 1
4	IN3	Input 3
5	SO	Serial Data Output
6	SI	Serial Data Input
7	CSN	Serial Chip Select (active low)
8	SCK	Serial Clock
9	GND	Ground
10	OUT3	Power Output 3
11	OUT4	Power Output 4
12	GND	Ground
13	RESN	Reset (active low)
14	EN	Output Enable
15	VIO	Signal Supply Voltage
16	VDD	Analog Supply Voltage
17	IN4	Input 4
18	IN2	Input 2
19	GND	Ground
20	OUT2	Power Output 2

Pin configuration

Notes

1. *The exposed pad of TLE9104SH is not connected to ground internally. It is highly recommended to connect the exposed pad to GND pins externally.*
2. *Pins 2 and 19 are the ground pins of outputs 1 and 2 and pins 9 and 12 are the ground pins of outputs 3 and 4. It is highly recommended to connect all GND pins externally.*

General product characteristics

4 General product characteristics

4.1 Absolute maximum ratings

Table 4-1 Absolute maximum ratings

$T_j = -40^\circ\text{C}$ to $+150^\circ\text{C}$; all voltages with respect to ground, positive current flowing into pin (unless otherwise specified)

Parameter	Symbol	Values			Unit	Note or Test Condition	Number
		Min.	Typ.	Max.			
Signal supply voltage	V_{IO}	-0.3	–	5.5	V	–	P_4.1.1
Analog supply voltage	V_{DD}	-0.3	–	5.5	V	–	P_4.1.2
Continuous drain source voltage (OUT1 to OUT4)	V_{DS}	-0.3	–	50	V	–	P_4.1.3
Input voltage, all inputs and data outputs, sense lines	V_{IN}	-0.3	–	$V_{IO} + 0.3$	V	–	P_4.1.4
Output current per channel ¹⁾	I_D	0	–	5.6	A	Output ON	P_4.1.5
Maximum voltage for short circuit protection (single event) ²⁾	$V_{SC, \text{single}}$	–	–	30	V	–	P_4.1.6
Electrostatic Discharge voltage - HBM (human body model) ³⁾	V_{ESD1}	-2000	–	2000	V	–	P_4.1.7
Electrostatic Discharge voltage - CDM (charge device model) ⁴⁾	V_{ESD2}	-500	–	500	V	–	P_4.1.8

- 1) Output current rating as long as maximum junction temperature is not exceeded. The maximum output current in the application must be calculated using R_{thJA} depending on mounting conditions.
- 2) Short circuit is designed to be short circuit robust according to AEC-Q100-012.
- 3) According to ANSI/ESDA/JEDEC JS-001.
- 4) According to JESD22-C101.

Notes

1. Stresses above the ones listed here may cause permanent damage to the device. Exposure to absolute maximum rating conditions for extended periods may affect device reliability.
2. Integrated protection functions are designed to prevent IC destruction under fault conditions described in the datasheet. Fault conditions are considered as “outside” normal operating range. Protection functions are not designed for continuous repetitive operation.

General product characteristics

4.2 Operating conditions

Table 4-2 Operating conditions

Parameter	Symbol	Values			Unit	Note or Test Condition	Number
		Min.	Typ.	Max.			
Maximum output clamping energy, linearly decreasing current ^{1) 2)}	E_{AR}	14	-	-	mJ	$I_{D(0)} = 1.4 \text{ A}$, $T_{J(0)} = 110^\circ\text{C}$, Cycles: 1 billion	P_4.2.6
Maximum output clamping energy, linearly decreasing current ³⁾	E_{AS}	35	-	-	mJ	$T_J = 85^\circ\text{C}$, Cycles: 10	P_4.2.13
Maximum output clamping energy, linearly decreasing current	E_{AS}	25	-	-	mJ	$T_J = 145^\circ\text{C}$, Cycles: 10	P_4.2.14
Maximum output clamping energy in parallel mode	$E_{AR,p}$	$1.7 \times E_{AR}$	-	-	mJ	OUT1&2 or OUT3&4, $I_{D(0),P} = 1.8 \times I_{D(0)}$	P_4.2.2

Thermal resistance

Junction to case	R_{thJC}	-	1	1.25	K/W	PV = 3 W, homogenously distributed between all output stages	P_4.2.3
------------------	------------	---	---	------	-----	---	---------

Temperature range

Operating temperature range	T_j	-40	-	150	°C	-	P_4.2.4
Storage temperature range	T_{stg}	-55	-	150	°C	-	P_4.2.5

1) Pulse shape represents inductive switch off: $I_D(t) = I_D(0) \times (1 - t/t_{pulse})$; $0 < t < t_{pulse}$

2) The given energy values are based on a cumulative scenario as specified in the Notes column.

3) The given energy values are based on a cumulative scenario as specified in the Notes column.

Note: Within the functional range, the IC operates as described in the circuit description. The electrical characteristics are specified within the conditions given by the related electrical characteristics table.

5 Electrical and functional description of blocks

5.1 Power supply

The TLE9104SH is supplied by analog power supply line V_{DD} and signal power supply V_{IO} . A capacitor between pins V_{DD} to GND and V_{IO} to GND is recommended. After start-up of the power supply, the RESN pin should be kept low until the Reset Duration Time has expired. This will reset all SPI registers to their default values. In order to enable the output stages the EN pin has to be kept high and OUT_EN register has to be set.

Table 5-1 Electrical characteristics: power supply

$V_{DD} = 4.5\text{ V to }5.5\text{ V}$, $V_{IO} = 3\text{ V to }5.5\text{ V}$, $T_j = -40^\circ\text{C to }+150^\circ\text{C}$, (unless otherwise specified)
 all voltages with respect to ground, positive current flowing into pin

Parameter	Symbol	Values			Unit	Note or Test Condition	Number
		Min.	Typ.	Max.			
Signal supply voltage	V_{IO}	3	–	5.5	V	–	P_5.1.1
Analog supply voltage	V_{DD}	4.5	–	5.5	V	–	P_5.1.2
Supply current	$I_{DD(on)}$	–	–	10	mA	–	P_5.1.3
Input low voltage of pin RESN	$V_{RESN(L)}$	-0.3	–	1	V	–	P_5.1.4
Input high voltage of pin RESN	$V_{RESN(H)}$	2	–	$V_{IO} + 0.3$	V	–	P_5.1.5
Hysteresis voltage of pin RESN	$V_{RESN(Hys)}$	100	300	500	mV	–	P_5.1.6
Input pull-up current through pin RESN	I_{RESN}	-100	-65	-30	μA	$V_{RESET} = 0\text{ V}$	P_5.1.7
Reset duration time ¹⁾	$t_{RESN(L)}$	10	–	–	μs	–	P_5.1.8
Input low voltage of pin EN	$V_{EN(L)}$	-0.3	–	1	V	–	P_5.1.9
Input high voltage of pin EN	$V_{EN(H)}$	2	–	$V_{IO} + 0.3$	V	–	P_5.1.10
Hysteresis voltage of pin EN	$V_{EN(Hys)}$	100	300	500	mV	–	P_5.1.11
Input pull-down current through pin EN	I_{EN}	30	65	100	μA	$V_{EN} = 2\text{ V}$	P_5.1.12

1) For proper startup, after the supply V_{DD} has reached its final voltage, the RESN pin should be held low until the reset duration time has expired.

Electrical and functional description of blocks

5.2 Parallel inputs

Each input signal controls the output stage of its related channel. For example, IN1 controls OUT1, IN2 controls OUT2 etc. Input signals are active low. Hence, applying a voltage less than $V_{IN(L)}$ to INx turns OUTx on. It is possible to connect OUT1-2 and OUT3-4 in parallel. For this purpose the right configuration has to be selected in the CFG register. In this case IN1 controls OUT1-2 and IN3 controls OUT3-4.

Table 5-2 Electrical characteristics: parallel inputs

$V_{DD} = 4.5\text{ V to }5.5\text{ V}$, $V_{IO} = 3\text{ V to }5.5\text{ V}$, $T_j = -40^\circ\text{C to }+150^\circ\text{C}$, (unless otherwise specified)
 all voltages with respect to ground, positive current flowing into pin (unless for pin SO)

Parameter	Symbol	Values			Unit	Note or Test Condition	Number
		Min.	Typ.	Max.			
Input low voltage of pin INx	$V_{IN(L)}$	-0.3	-	1	V	-	P_5.2.1
Input high voltage of pin INx	$V_{IN(H)}$	2	-	$V_{IO} + 0.3$	V	-	P_5.2.2
Input voltage hysteresis	$V_{IN(Hys)}$	100	300	500	mV	-	P_5.2.3
Input pull-up current through pin INx	$I_{IN(L)}$	-100	-65	-30	μA	$V_{IN} = 0\text{ V}$	P_5.2.4

5.3 Power stages

Table 5-3 Electrical characteristics: power outputs

$V_{DD} = 4.5\text{ V to }5.5\text{ V}$, $V_{IO} = 3\text{ V to }5.5\text{ V}$, $T_j = -40^\circ\text{C to }+150^\circ\text{C}$, (unless otherwise specified)
 all voltages with respect to ground, positive current flowing into pin (unless for pin SO)

Parameter	Symbol	Values			Unit	Note or Test Condition	Number
		Min.	Typ.	Max.			
ON resistance	$R_{DS(ON)}$	-	150		m Ω	$T_j = 25^\circ\text{C}$,	P_5.3.1
ON resistance	$R_{DS(ON)}$	-	300	350	m Ω	$T_j = 150^\circ\text{C}$,	P_5.3.2
ON resistance in parallel mode	$R_{DS(ON)}$	-	75	-	m Ω	$T_j = 25^\circ\text{C}$, outputs 1&2 or 3&4 in parallel	P_5.3.3
ON resistance in parallel mode	$R_{DS(ON)}$	-	150	175	m Ω	$T_j = 150^\circ\text{C}$, outputs 1&2 or 3&4 in parallel	P_5.3.4
Output clamping voltage	$V_{DS(AZ)}$	50	-	60	V	output OFF	P_5.3.5
Output leakage current	$I_{D(lkg)}$	-	-	10	μA	RESN=0	P_5.3.6
Output off-state current	I_{OUTx_OFF}	-	-	30	μA	RESN=1, OUTx_DIAG_EN=0, $V_{OUTx} = 35\text{ V}$	P_5.3.6
Turn-on time	t_{ON}	-	15	-	μs	from 50% of INx to 20% of Vbat	P_5.3.7

Electrical and functional description of blocks

Table 5-3 Electrical characteristics: power outputs (cont'd)

$V_{DD} = 4.5\text{ V to }5.5\text{ V}$, $V_{IO} = 3\text{ V to }5.5\text{ V}$, $T_j = -40^\circ\text{C to }+150^\circ\text{C}$, (unless otherwise specified)
 all voltages with respect to ground, positive current flowing into pin (unless for pin S0)

Parameter	Symbol	Values			Unit	Note or Test Condition	Number
		Min.	Typ.	Max.			
Turn-off time	t_{OFF}	–	15	–	μs	from 50% of INx to 80% of Vbat	P_5.3.8
Overtemperature shutdown threshold	$T_{j(OT)}$	165	–	200	$^\circ\text{C}$	–	P_5.3.9

Electrical and functional description of blocks

5.4 Protection functions

The TLE9104SH provides embedded protection functions. Integrated protection functions are designed to prevent IC destruction under fault conditions. Fault conditions are considered “outside” the normal operating range. Protection functions are not designed for continuous repetitive operation. Following protection functions are implemented for TLE9104SH:

- Overtemperature protection (OT).
- Short circuit to battery protection (SCB).
- Overcurrent protection (OC).

Note: Integrated protection functions are designed to prevent IC destruction under fault conditions described in the datasheet. Fault conditions are considered as “outside” normal operating range. Protection functions are not designed for continuous repetitive operation.

5.4.1 Overtemperature protection

A dedicated temperature sensor for each channel detects if the temperature of its channel exceeds the overtemperature shutdown threshold. If the channel temperature exceeds the overtemperature shutdown threshold, the overheated channel is switched off immediately to prevent destruction. The channel can be turned on again after clearing the overtemperature error; however, if the sensed temperature is still higher than the overtemperature shutdown threshold the channel will switch off after the filter time t_{OT} .

5.4.2 Short circuit to battery protection

The TLE9104SH is protected in case of short circuit to battery. If the current of an output channel exceeds I_{SCB} , the respective channel is switched off immediately. The channel can be turned on again after the fault condition has been removed and the error has been cleared.

5.4.3 Overcurrent protections

The TLE9104SH is protected with configurable overcurrent protection. If the current of an output channel exceeds I_{OC} , the respective channel is switched off after the filter time $t_{d(OC)}$. The channel can be turned on again after the fault condition has been removed and the error has been cleared. Both current limit threshold I_{OC} and its filter time $t_{d(OC)}$ are configurable via SPI. The filter time, $t_{d(OC)}$, and the current limit threshold, I_{OC} , can only be configured while the output bit, OUT_EN, is low in the SPI register.

5.5 Diagnostic functions

Following diagnosis functions are implemented for all output stages of TLE9104SH:

- Short to battery detection (SCB) can be detected if stages are turned on.
- Overtemperature detection (OT) can be detected if stages are turned on.
- Time based overcurrent detection (OCF) can be detected if stages are turned on.
- Temperature based overcurrent detection (OCT) can be detected if stages are turned on.
- Short to GND detection (SCG) can be detected if stages are turned off.
- Open load detection (OL) can be detected if stages are turned off.

The diagnosis information of TLE9104SH can be accessed via SPI interface. OL and SCG diagnosis are recognized using two thresholds ($V_{OUTn-SCG}$ and $V_{OUTn-OL}$). It is also possible to turn off the internal diagnostic pull-down and pull-up current sources. In this case diagnosis of OL and SCG are deactivated.

Electrical and functional description of blocks

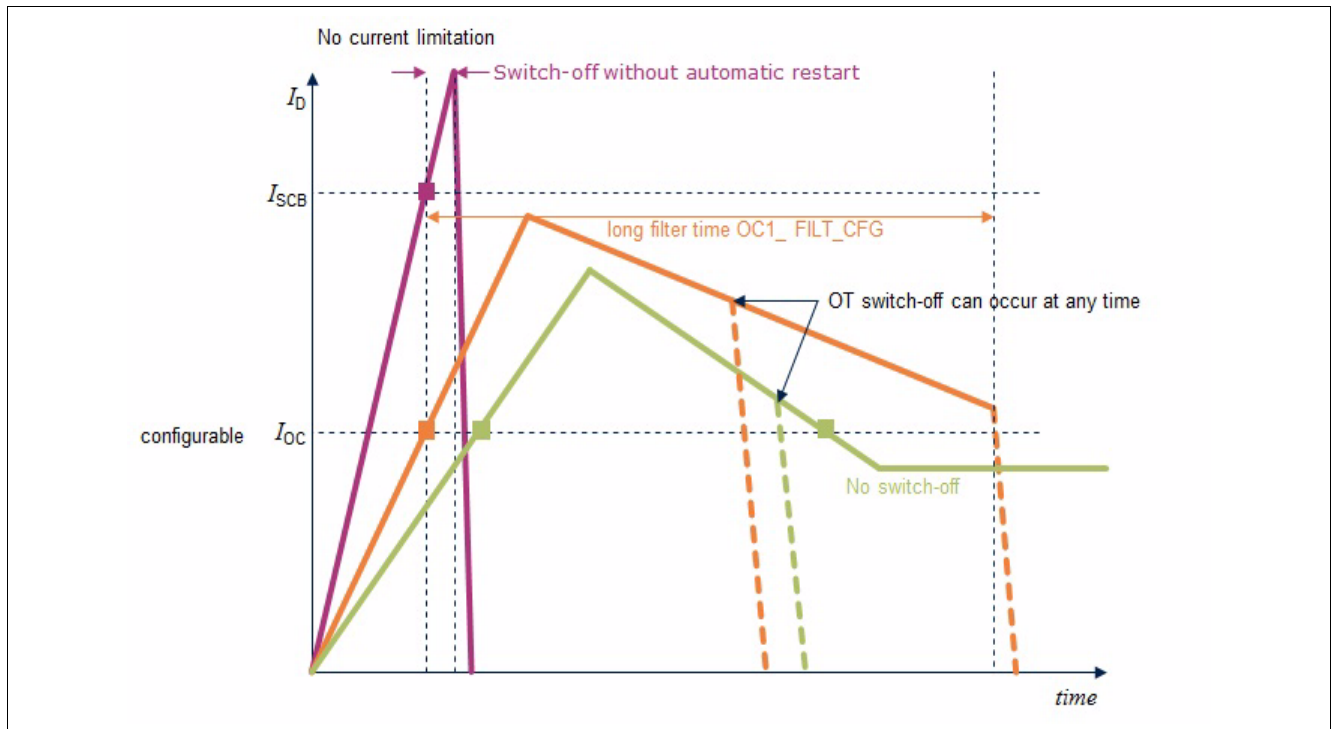


Figure 5-1 Overcurrent and short circuit to battery protection

The fault conditions SCG and OL will not be stored until an integrated filtering time, $t_{d(fault)}$, has expired. An additional blanking time, $t_{b(fault)}$, can be configured in addition to the filter time. The blanking time, $t_{b(fault)}$, can only be configured while output enable bit, OUT_EN, is low in the SPI register.

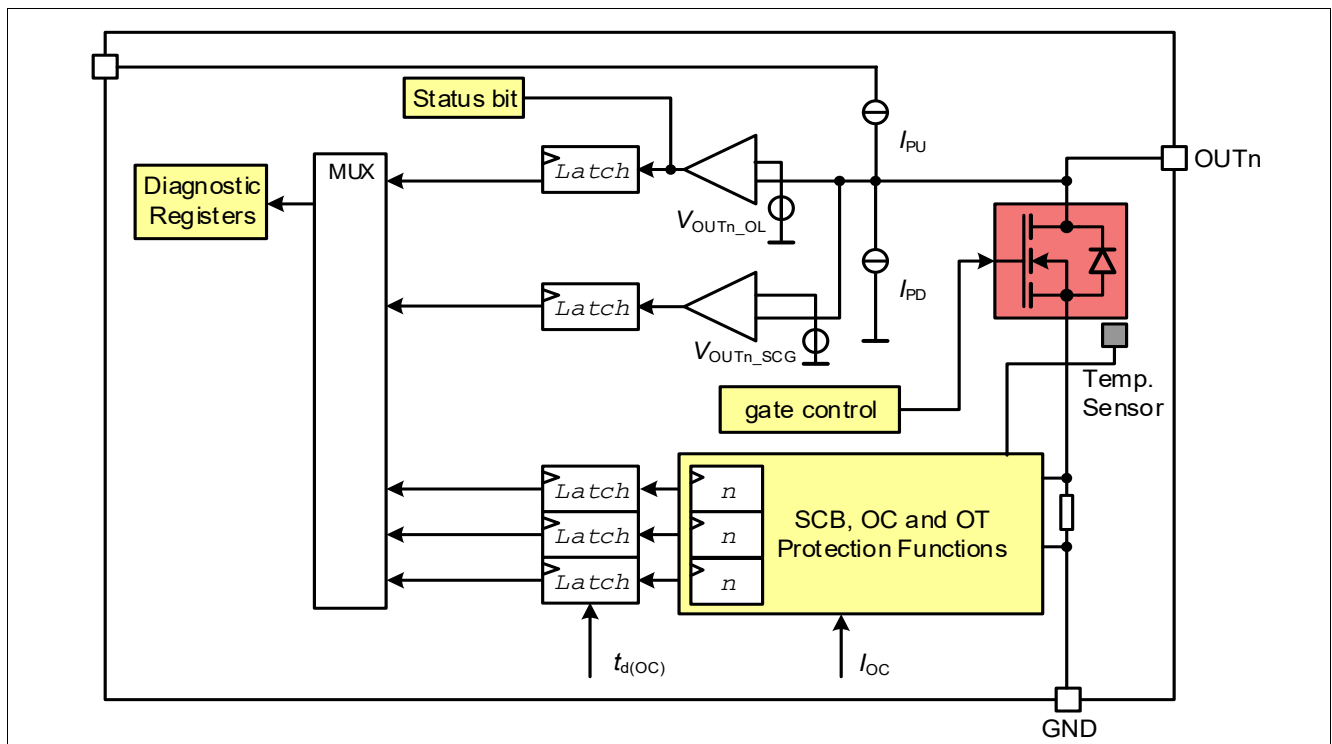


Figure 5-2 Diagnostic functions (overview only)

Electrical and functional description of blocks

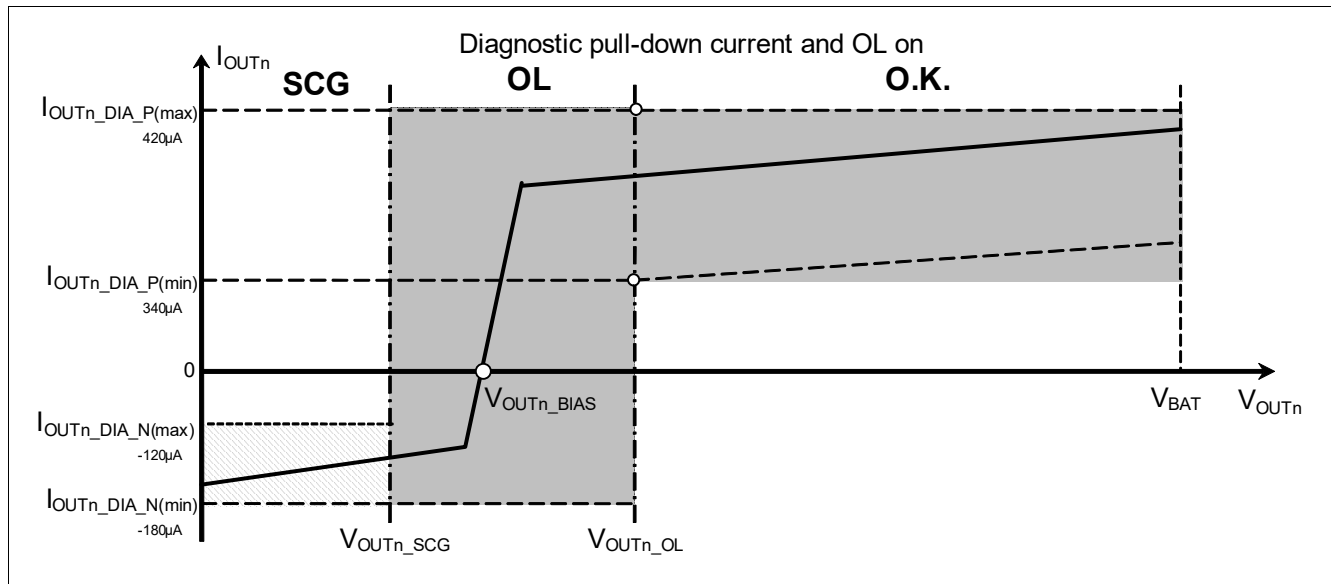


Figure 5-3 SCG and OL diagnostic function (overview only)

Table 5-4 Electrical characteristics: diagnostic functions

$V_{DD} = 4.5\text{ V to } 5.5\text{ V}$, $V_{IO} = 3\text{ V to } 5.5\text{ V}$, $T_j = -40^\circ\text{C to } +150^\circ\text{C}$, (unless otherwise specified)
 all voltages with respect to ground, positive current flowing into pin (unless for pin SO)

Parameter	Symbol	Values			Unit	Note or Test Condition	Number
		Min.	Typ.	Max.			
Open load detection voltage	$V_{OUTn-OL}$	$0.6 V_{DD} - 0.2$	–	$0.6 V_{DD} + 0.2$	V	–	P_5.5.1
Diagnostic pull-down current	I_{PD}	300	380	450	µA	$V_{OUTn} = 0.6 V_{DD}$	P_5.5.2
Diagnostic pull-up current	I_{PU}	-180	-150	-120	µA	$V_{OUTn} = 0.4 V_{DD}$	P_5.5.3
Short circuit to ground detection voltage	$V_{OUTn-SCG}$	$0.4 V_{DD} - 0.2$	–	$0.4 V_{DD} + 0.2$	V	–	P_5.5.4
Short circuit to battery detection current	I_{SCB}	4.5	5	5.6	A	–	P_5.5.5
Short circuit to battery detection current in parallel mode	I_{SCB}	9	10	11	A	Outputs 1&2 or outputs 3&4 connected in parallel	P_5.5.6
Fault filtering time ¹⁾	$t_{d(fault)}$	0.015	0.02	0.025	ms		P_5.5.7
Fault blanking time ²⁾	$t_{b(fault)}$	0.16	0.2	0.24	ms	configurable via SPI	P_5.5.8
Fault blanking time	$t_{b(fault)}$	0.4	0.5	0.60	ms	default value	P_5.5.9
Fault blanking time	$t_{b(fault)}$	0.8	1	1.2	ms	configurable via SPI	P_5.5.10
Fault blanking time	$t_{b(fault)}$	1.6	2	2.4	ms	configurable via SPI	P_5.5.11
Overcurrent filtering time	$t_{d(OC)}$	0.04	0.06	0.08	ms	default value	P_5.5.12
Overcurrent filtering time	$t_{d(OC)}$	0.1	0.12	0.14	ms	configurable via SPI	P_5.5.13
Overcurrent filtering time	$t_{d(OC)}$	0.4	0.5	0.6	ms	configurable via SPI	P_5.5.14

Electrical and functional description of blocks

Table 5-4 Electrical characteristics: diagnostic functions (cont'd)

$V_{DD} = 4.5\text{ V to }5.5\text{ V}$, $V_{IO} = 3\text{ V to }5.5\text{ V}$, $T_j = -40^\circ\text{C to }+150^\circ\text{C}$, (unless otherwise specified)
 all voltages with respect to ground, positive current flowing into pin (unless for pin S0)

Parameter	Symbol	Values			Unit	Note or Test Condition	Number
		Min.	Typ.	Max.			
Overcurrent filtering time	$t_{d(OC)}$	0.8	1	1.2	ms	configurable via SPI	P_5.5.15
Overcurrent filtering time	$t_{d(OC)}$	4	5	6	ms	configurable via SPI	P_5.5.16
Overcurrent filtering time	$t_{d(OC)}$	8	10	12	ms	configurable via SPI	P_5.5.17
Overcurrent filtering time	$t_{d(OC)}$	16	20	24	ms	configurable via SPI	P_5.5.18
Overcurrent filtering time	$t_{d(OC)}$	24	30	36	ms	configurable via SPI	P_5.5.19
Overcurrent threshold	I_{OC}	0.75	1	1.25	A	configurable via SPI	P_5.5.20
Overcurrent threshold	I_{OC}	1.75	2	2.25	A	default value	P_5.5.21
Overcurrent threshold	I_{OC}	2.5	3	3.5	A	configurable via SPI	P_5.5.22
Overcurrent threshold	I_{OC}	3.5	4	4.5	A	configurable via SPI	P_5.5.23
Overcurrent threshold in parallel mode	I_{OC}	1.35	2	2.5	A	configurable via SPI, outputs 1&2 or outputs 3&4 connected in parallel	P_5.5.24
Overcurrent threshold in parallel mode	I_{OC}	3.15	4	4.5	A	default value, outputs 1&2 or outputs 3&4 connected in parallel	P_5.5.25
Overcurrent threshold in parallel mode	I_{OC}	4.5	6	7	A	configurable via SPI, outputs 1&2 or outputs 3&4 connected in parallel	P_5.5.26
Overcurrent threshold in parallel mode	I_{OC}	6.3	8	9	A	configurable via SPI, outputs 1&2 or outputs 3&4 connected in parallel	P_5.5.27
Overtemperature filter time	t_{OT}	2	3	4	μs	–	P_5.5.28
Short circuit to battery filter time	t_{SCB}	1.2	–	2	μs	–	P_5.5.28

- 1) $t_{d(fault)}$ is the filter time for open load and short to ground diagnostic functions.
- 2) $t_{d(fault)}$ is the blanking time for open load and short to ground diagnostic functions.

5.5.1 Output stage status

The output of open-load comparator of each channel is directly available via OUTx_STAT bit. This bit can be used to detect a failure condition in which the channel is turned on by INx or SPI but the power stage remains switched off. The delay between a turn on via INx or SPI and a change in status bit depends on the output voltage slew rates and hence on the load itself.

Electrical and functional description of blocks

5.6 Communication watchdog

The TLE9104SH is using the watchdog principle to monitor the SPI communication. In case of no communication or continuous communication failures all outputs are disabled. In case of a faulty SPI frame the CWD timer does not retrigger and after the filter time the register CWD-TO is set and can be read as soon as the SPI is back to normal operation. The watchdog is active by default; however, it can be deactivated via a SPI command.

The watchdog starts to work as soon as the device has finished start-up and all blocks are released from reset. If these conditions are met, the watchdog timer t_{CWD} is started. Each correct SPI communication restarts the t_{CWD} timer. If no valid communication is received within timeout, the t_{CWD} timer will expire and disable all outputs. For re-enabling, one needs to clear the error and enable outputs via SPI. Outputs will not be enabled automatically by clearing the error.

The watchdog timer t_{CWD} is configurable via SPI. The watchdog timer t_{CWD} can only be configured while the output enable bit, OUT_EN, is low in the SPI register.

Following SPI communication issues are detected as failure by the watchdog:

- No communication
- Wrong commands
- Frames not equal to 16 clocks

Table 5-5 Communication watchdog timeout configuration

$V_{DD} = 4.5\text{ V to }5.5\text{ V}$, $V_{IO} = 3\text{ V to }5.5\text{ V}$, $T_j = -40^\circ\text{C to }+150^\circ\text{C}$, (unless otherwise specified)
all voltages with respect to ground, positive current flowing into pin (unless for pin SO)

Parameter	Symbol	Values			Unit	Note or Test Condition	Number
		Min.	Typ.	Max.			
Communication watchdog timeout	t_{CWD0}	20	25	30	ms	configurable via SPI	P_5.6.1
Communication watchdog timeout	t_{CWD1}	40	50	60	ms	default value	P_5.6.2
Communication watchdog timeout	t_{CWD2}	60	75	90	ms	configurable via SPI	P_5.6.3

16 bit SPI interface

6 16 bit SPI interface

The diagnostic and control interface is based on a serial peripheral interface (SPI).

The SPI is a full duplex synchronous serial slave interface, which uses four lines: SO, SI, SCK, CSN. Data is transferred by the lines SI and SO at the data rate given by SCK. The falling edge of CSN indicated the beginning of a data access. Data is sampled in on line SI at the falling edge of SCK and shifted out on line SO at the rising edge of SCK. Each access shall be terminated by a rising edge of CSN. A modulo 16 counter ensures that data is taken only, when a multiple of 16 bits has been transferred.

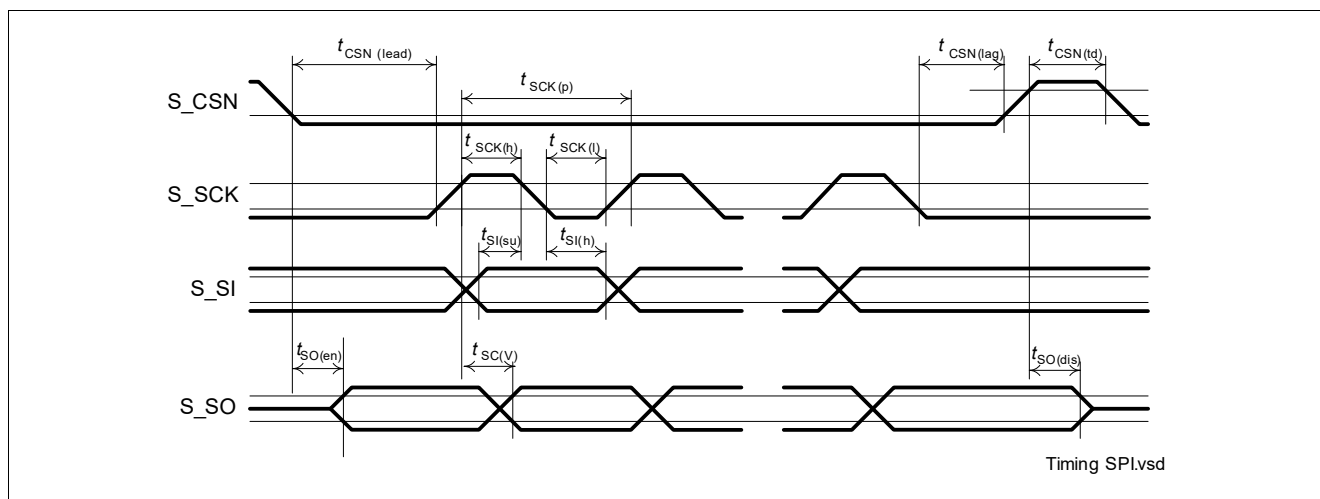


Figure 6-1 SPI timing

6.1 Electrical characteristics 16 bit SPI interface

Table 6-1 Electrical characteristics: 16 bit SPI interface

$V_{DD} = 4.5\text{ V to }5.5\text{ V}$, $V_{IO} = 3\text{ V to }5.5\text{ V}$, $T_j = -40^\circ\text{C to }+150^\circ\text{C}$, all voltages with respect to ground, positive current flowing into pin (unless otherwise specified)

Parameter	Symbol	Values			Unit	Note or Test Condition	Number
		Min.	Typ.	Max.			
Input characteristics (CSN, SCK, SI)							
L level of pin CSN, SCK, SI	V_{IO_CSNL} V_{IO_SCKL} V_{IO_SIL}	-0.3	-	1	V	-	P_6.1.1
H level of pin CSN, SCK, SI	V_{IO_CSNH} V_{IO_SCKH} V_{IO_SIH}	2	-	$V_{IO} + 0.3$	V	-	P_6.1.2
Hysteresis input pins	V_{IO_CSNHy} V_{IO_SCKHy} V_{IO_SIHy}	100	300	500	mV	-	P_6.1.3
Output characteristics (SO)							
L level output voltage	V_{IO_SOL}	0	-	1	V	$I_{IO_SO} = -2\text{ mA}$	P_6.1.4
H level output voltage	V_{IO_SOH}	$V_{IO} - 0.5$	-	$V_{IO} + 0.3$	-	-	P_6.1.5
Output tristate leakage current	I_{IO_SOoff}	-10	-	10	μA	-	P_6.1.6

16 bit SPI interface

Table 6-1 Electrical characteristics: 16 bit SPI interface

$V_{DD} = 4.5\text{ V to }5.5\text{ V}$, $V_{IO} = 3\text{ V to }5.5\text{ V}$, $T_j = -40^\circ\text{C to }+150^\circ\text{C}$, all voltages with respect to ground, positive current flowing into pin (unless otherwise specified)

Parameter	Symbol	Values			Unit	Note or Test Condition	Number
		Min.	Typ.	Max.			
Input capacitance							
For CSN, SCK, SI and SO	C_{in}	–	6	8	pF	–	P_6.1.13
Timings							
Serial clock frequency ¹⁾	f_{SCK}	0	–	8	MHz	$C_L = 25\text{ pF}$	P_6.1.7
Serial clock period	$t_{SCK(P)}$	125	–	–	ns	–	P_6.1.8
Serial clock high time	$t_{SCK(h)}$	50	–	–	ns	–	P_6.1.9
Serial clock low time	$t_{SCK(l)}$	50	–	–	ns	–	P_6.1.10
Enable lead time (falling CSN to rising SCK)	$t_{CSN(lead)}$	250	–	–	ns	–	P_6.1.11
Enable lag time (falling SCK to rising CSN)	$t_{CSN(lag)}$	250	–	–	ns	–	P_6.1.12
Data setup time (required time SI to falling SCK)	$t_{SI(su)}$	20	–	–	ns	–	P_6.1.14
Data hold time (falling SCK to SI)	$t_{SI(h)}$	20	–	–	ns	–	P_6.1.15
Output enable time (falling CSN to SO valid)	$t_{SO(en)}$	–	–	200	ns	$C_L = 25\text{ pF}$	P_6.1.16
Output disable time (rising CSN to SO tri-state)	$t_{SO(dis)}$	–	–	200	ns	$C_L = 25\text{ pF}$	P_6.1.17
Output data valid time with capacitive load	$t_{SO(v)}$	–	–	100	ns	$C_L = 25\text{ pF}$	P_6.1.18
Transfer delay time (rising CSN to falling CSN)	$t_{CSN(td)}$	1	–	100	μs	$C_L = 25\text{ pF}$	P_6.1.19

1) Maximum SPI clock frequency in the application may be less depending on the load at the SO pin and the microcontroller SPI peripheral timing requirements.

16 bit SPI interface

6.2 SPI registers

The general SPI frame length is fixed at 16 bits. Bits 0 to 7 of each frame are used as data frame, bits 8 to 10 are used for address, bit 14 is the parity bit and bit 15 is used to specify a command as read or write. The parity bit is defined as:

$$b_{14} = (1 + b_{15} + \sum_{i=0}^{13} b_i) \bmod 2 \tag{6.1}$$

MOSI

15	14	13	12	11	10	9	8	7	6	5	4	3	2	1	0
R/W	Parity	0	0	Address				Data							

MISO

15	14	13	12	11	10	9	8	7	6	5	4	3	2	1	0
R/W	Parity	Fault Communication	Fault Global	Address				Data							

IN MOSI and MISO a read is defined with a ‘0’ and a write is defined with a ‘1’. Each MISO SPI frame reports the important system faults as Global or Communication faults in bit 12 and 13 as following:

- Global fault is asserted (not latching) when the general fault bit in Global_Status register is set.
- Communication fault is asserted (not latching) when one of the following faults are present:
 - Communication error (the same as COM_ERR in Global_Status register)
 - Communication watchdog timeout
 - Parity error

Besides, global status register stores the faults as following:

- General fault if at least one of the following faults are present:
 - Over-current
 - Over-temperature
 - Over-temperature during overcurrent
 - Short circuit to battery
 - Open load
 - Short circuit to ground
- Communication error:
 - No communication
 - Wrong command
 - Frames not equal to 16 bits
- Parity error
- Communication watchdog

16 bit SPI interface

Apart from the faults, global register also restores the enable latch signal (EN_Latch) and power on reset latch (POR_Latch) as following:

- EN_Latch: This bit has a reset value of '0'. After setting the OUT_EN bit this bit changes to '1'. This bit shows whether the output has been enabled (via SPI) at least once since the last clear.
- POR_Latch: This bit has a reset value of '1'. It can be changed to '0' via SPI. Any power on reset will set the bit back to 1. This can be used to check whether a power on reset has happened since the bit value was changed to '0'.

16 bit SPI interface

Table 6-2 Register Address Space

Module	Base Address	End Address	Note
apb	0 _H	1F _H	–

Table 6-3 Register Overview

Register Short Name	Register Long Name	Offset Address	Page Number
CTRL	Output control register	00 _H	22
CFG	Configuration register	01 _H	24
OFF_DIAG_CFG	Off-state diagnostic configuration register	02 _H	25
ON_DIAG_CFG	On-state diagnostic configuration register	03 _H	26
DIAG_OUT_1_2_ON	On-state diagnostic result register OUT1 & OUT2	04 _H	27
DIAG_OUT_3_4_ON	On-state diagnostic result register OUT3 & OUT4	05 _H	28
DIAG_OFF	Off-state diagnostic result register	06 _H	29
GLOBAL_STATUS	Global device status register	07 _H	30
ICVID	IC Version ID	08 _H	31

The registers are addressed wordwise.

Table 6-4 Register Overview

Bit type short name	Bit type description	Note
r	read	–
rw	read/write	–
rwc	read and clear on write	clear on write 0

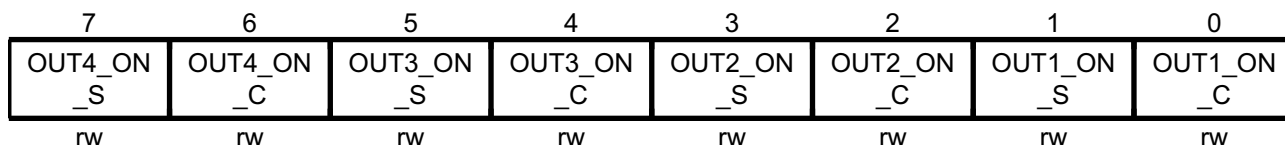
Note: All configurations can only be changed while the OUT_EN bit is cleared.

16 bit SPI interface

6.2.1 Registers

Output control register

CTRL	Offset	Reset Value
Output control register	00 _H	00 _H



Field	Bits	Type	Description
OUT4_ON_S	7	rw	OUT4 SPI control bit (used if CFG.OUT4_DD = 0) 1 _D SET , Output 4 set 0 _D NO_ACTION , Output 4 no action Reset: 0 _B
OUT4_ON_C	6	rw	OUT4 SPI control bit (used if CFG.OUT4_DD = 0) 1 _D CLEAR , Output 4 clear 0 _D NO_ACTION , Output 4 no action Reset: 0 _B
OUT3_ON_S	5	rw	OUT3 SPI control bit (used if CFG.OUT3_DD = 0) 1 _D SET , Output 3 set 0 _D NO_ACTION , Output 3 no action Reset: 0 _B
OUT3_ON_C	4	rw	OUT3 SPI control bit (used if CFG.OUT3_DD = 0) 1 _D CLEAR , Output 3 clear 0 _D NO_ACTION , Output 3 no action Reset: 0 _B
OUT2_ON_S	3	rw	OUT2 SPI control bit (used if CFG.OUT2_DD = 0) 1 _D SET , Output 2 set 0 _D NO_ACTION , Output 2 no action Reset: 0 _B
OUT2_ON_C	2	rw	OUT2 SPI control bit (used if CFG.OUT2_DD = 0) 1 _D CLEAR , Output 2 clear 0 _D NO_ACTION , Output 2 no action Reset: 0 _B
OUT1_ON_S	1	rw	OUT1 SPI control bit (used if CFG.OUT1_DD = 0) 1 _D SET , Output 1 set 0 _D NO_ACTION , Output 1 no action Reset: 0 _B

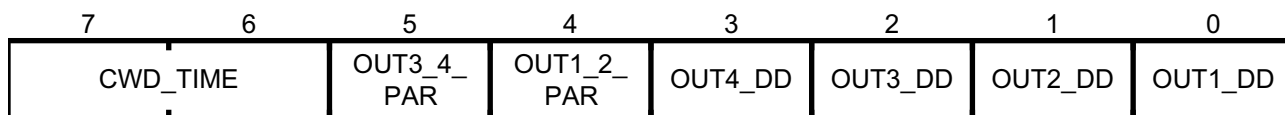
16 bit SPI interface

Field	Bits	Type	Description
OUT1_ON_C	0	rw	OUT1 SPI control bit (used if CFG.OUT1_DD = 0) 1 _D CLEAR , Output 1 clear 0 _D NO_ACTION , Output 1 no action Reset: 0 _B

16 bit SPI interface

Configuration register

CFG **Offset** **Reset Value**
Configuration register **01_H** **8F_H**

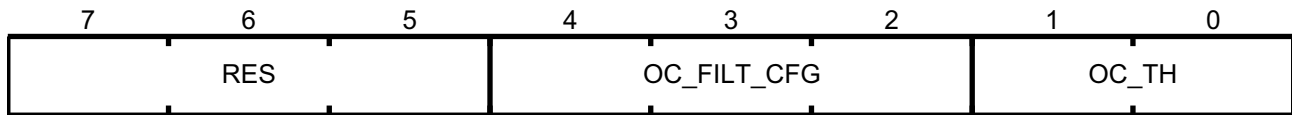


Field	Bits	Type	Description
CWD_TIME	7:6	rw	Communication watchdog timeout configuration 3 _D LONG , 75 ms 2 _D MEDIUM , 50 ms (default) 1 _D SHORT , 25 ms 0 _D DISABLED , Communication watchdog disabled Reset: 10 _B
OUT3_4_PAR	5	rw	OUT3-4 parallel mode 1 _D ENABLED , OUT3-4 parallel mode (controlled by IN3 or CTRL.OUT3_ON) 0 _D DISABLED , OUT3, OUT4 controlled separately (default) Reset: 0 _B
OUT1_2_PAR	4	rw	OUT1-2 parallel mode 1 _D ENABLED , OUT1-2 parallel mode (controlled by IN1 or CTRL.OUT1_ON) 0 _D DISABLED , OUT1, OUT2 controlled separately (default) Reset: 0 _B
OUT4_DD	3	rw	OUT4 direct drive mode 1 _D ENABLED , OUT4 controlled by IN4 (default) 0 _D DISABLED , OUT4 controlled by SPI (CTRL.OUT4_ON) Reset: 1 _B
OUT3_DD	2	rw	OUT3 direct drive mode 1 _D ENABLED , OUT3 controlled by IN3 (default) 0 _D DISABLED , OUT3 controlled by SPI (CTRL.OUT3_ON) Reset: 1 _B
OUT2_DD	1	rw	OUT2 direct drive mode 1 _D ENABLED , OUT2 controlled by IN2 (default) 0 _D DISABLED , OUT2 controlled by SPI (CTRL.OUT2_ON) Reset: 1 _B
OUT1_DD	0	rw	OUT1 direct drive mode 1 _D ENABLED , OUT1 controlled by IN1 (default) 0 _D DISABLED , OUT1 controlled by SPI (CTRL.OUT1_ON) Reset: 1 _B

16 bit SPI interface

On-state diagnostic configuration register

ON_DIAG_CFG	Offset	Reset Value
On-state diagnostic configuration register	03_H	01_H

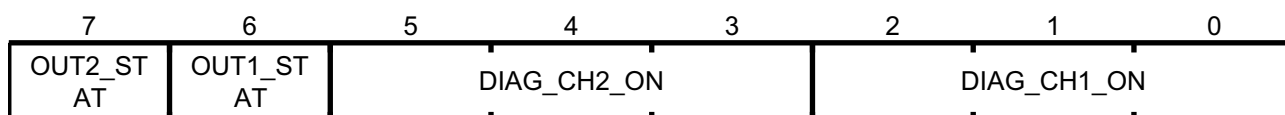


Field	Bits	Type	Description
OC_FILT_CFG	4:2	rw	Overcurrent shut-down delay time (for all channels) 7 _D 30_ms , 30 ms 6 _D 20_ms , 20 ms 5 _D 10_ms , 10 ms 4 _D 5_ms , 5 ms 3 _D 1_ms , 1 ms 2 _D 500_us , 500 us 1 _D 120_us , 120 us 0 _D 60_us , 60 us (default) Reset: 000 _B
OC_TH	1:0	rw	Overcurrent shut-down threshold (for all channels) (d_oc_th) 3 _D 4000_mA , 4 A 2 _D 3000_mA , 3 A 1 _D 2000_mA , 2 A (default) 0 _D 1000_mA , 1 A Reset: 01 _B

16 bit SPI interface

On-state diagnostic result register OUT1 & OUT2

DIAG_OUT_1_2_ON	Offset	Reset Value
On-state diagnostic result register OUT1 & OUT2	04 _H	00 _H

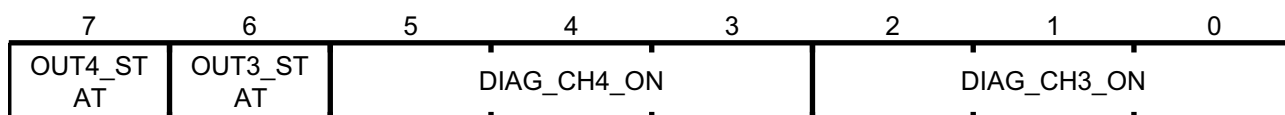


Field	Bits	Type	Description
OUT2_STAT	7	r	Channel 2 output status 1 _D ON , Channel is ON 0 _D OFF , Channel is OFF Reset: 0 _B
OUT1_STAT	6	r	Channel 1 output status 1 _D ON , Channel is ON 0 _D OFF , Channel is OFF Reset: 0 _B
DIAG_CH2_ON	5:3	rwc	On-state diagnostic result register - Channel 2 7 _D UNUSED , unused combination 6 _D UNUSED , unused combination 5 _D OT , Overtemperature 4 _D OC_TIME , Overcurrent timeout 3 _D OC_OT , Overtemperature during overcurrent 2 _D SCB , Short to battery 1 _D NO_FAIL , no failure detected 0 _D UNKNOWN , no diagnosis done Reset: 000 _B
DIAG_CH1_ON	2:0	rwc	On-state diagnostic result register - Channel 1 7 _D UNUSED , unused combination 6 _D UNUSED , unused combination 5 _D OT , Overtemperature 4 _D OC_TIME , Overcurrent timeout 3 _D OC_OT , Overtemperature during overcurrent 2 _D SCB , Short to battery 1 _D NO_FAIL , no failure detected 0 _D UNKNOWN , no diagnosis done Reset: 000 _B

16 bit SPI interface

On-state diagnostic result register OUT3 & OUT4

DIAG_OUT_3_4_ON	Offset	Reset Value
On-state diagnostic result register OUT3 & OUT4	05 _H	00 _H

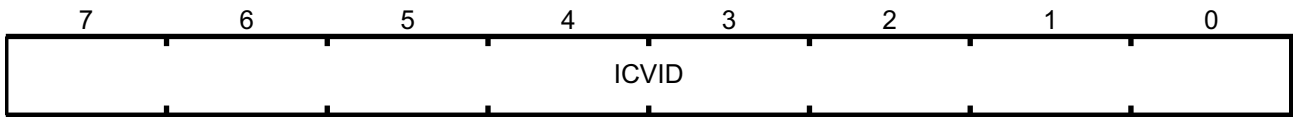


Field	Bits	Type	Description
OUT4_STAT	7	r	Channel 4 output status 1 _D ON , Channel is ON 0 _D OFF , Channel is OFF Reset: 0 _B
OUT3_STAT	6	r	Channel 3 output status 1 _D ON , Channel is ON 0 _D OFF , Channel is OFF Reset: 0 _B
DIAG_CH4_ON	5:3	rwc	On-state diagnostic result register - Channel 4 7 _D UNUSED , unused combination 6 _D UNUSED , unused combination 5 _D OT , Overtemperature 4 _D OC_TIME , Overcurrent timeout 3 _D OC_OT , Overtemperature during overcurrent 2 _D SCB , Short to battery 1 _D NO_FAIL , no failure detected 0 _D UNKNOWN , no diagnosis done Reset: 000 _B
DIAG_CH3_ON	2:0	rwc	On-state diagnostic result register - Channel 3 7 _D UNUSED , unused combination 6 _D UNUSED , unused combination 5 _D OT , Overtemperature 4 _D OC_TIME , Overcurrent timeout 3 _D OC_OT , Overtemperature during overcurrent 2 _D SCB , Short to battery 1 _D NO_FAIL , no failure detected 0 _D UNKNOWN , no diagnosis done Reset: 000 _B

16 bit SPI interface

IC Version ID

ICVID	Offset	Reset Value
IC Version ID	08 _H	B1 _H



Field	Bits	Type	Description
ICVID	7:0	r	IC Version ID 177 _D ICVID, Reset: B1 _H

Package outlines

7 Package outlines

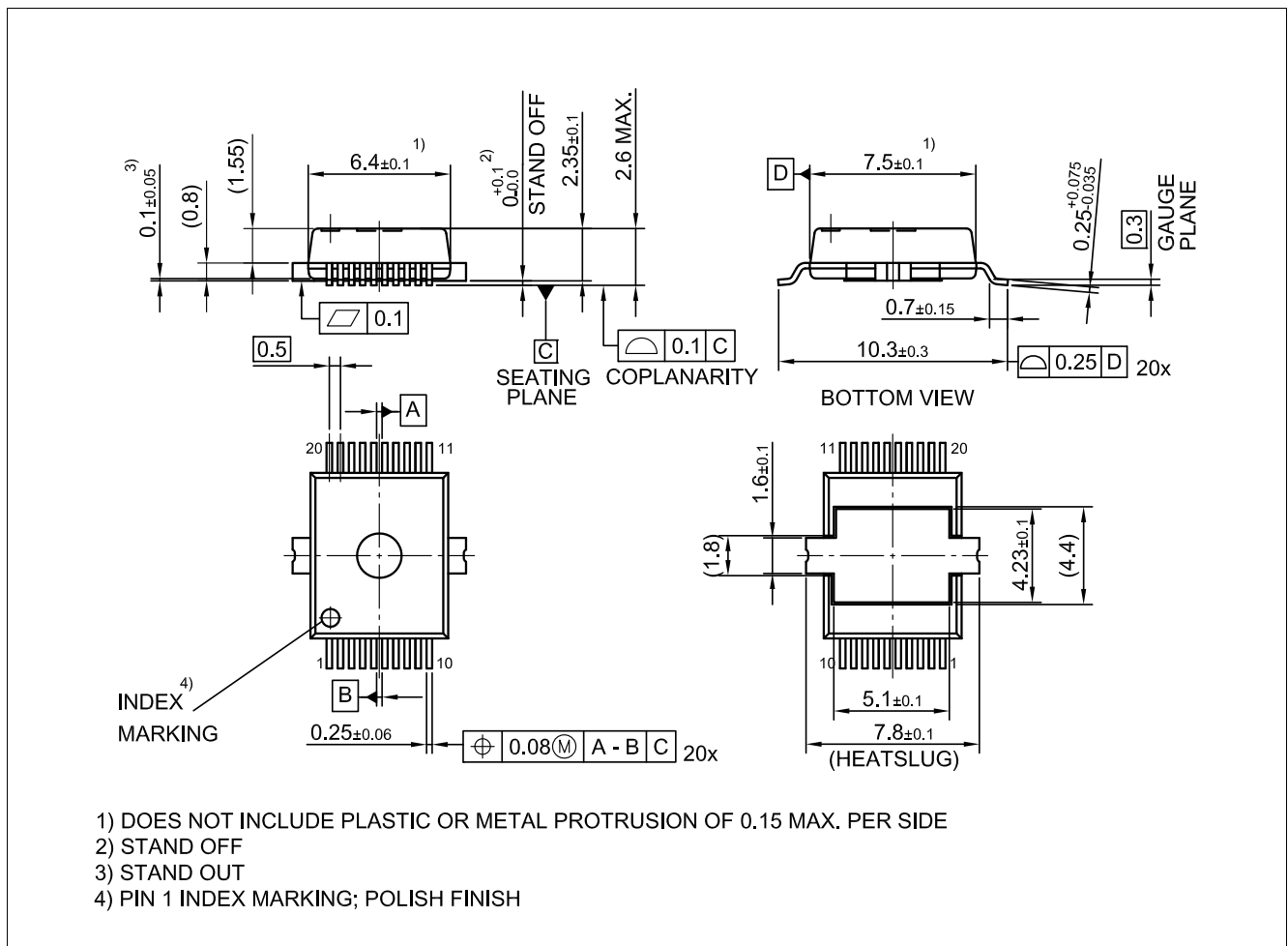


Figure 7-1 PG-DSO-20-88 (Plastic Dual Small Outline Package) Green Product - Package dimensions are preliminary and may be updated

Green product (RoHS-compliant)

To meet the world-wide customer requirements for environmentally friendly products and to be compliant with government regulations the device is available as a green product. Green products are RoHS-compliant (i.e Pb-free finish on leads and suitable for Pb-free soldering according to IPC/JEDEC J-STD-020).

Floating exposed pad

The exposed pad of TLE9104SH is not connected to the ground internally. It is highly recommended to connect the exposed pad to GND pins externally.

For further information on alternative packages, please visit our website:
<http://www.infineon.com/packages>.

Dimensions in mm

Application information

8 Application information

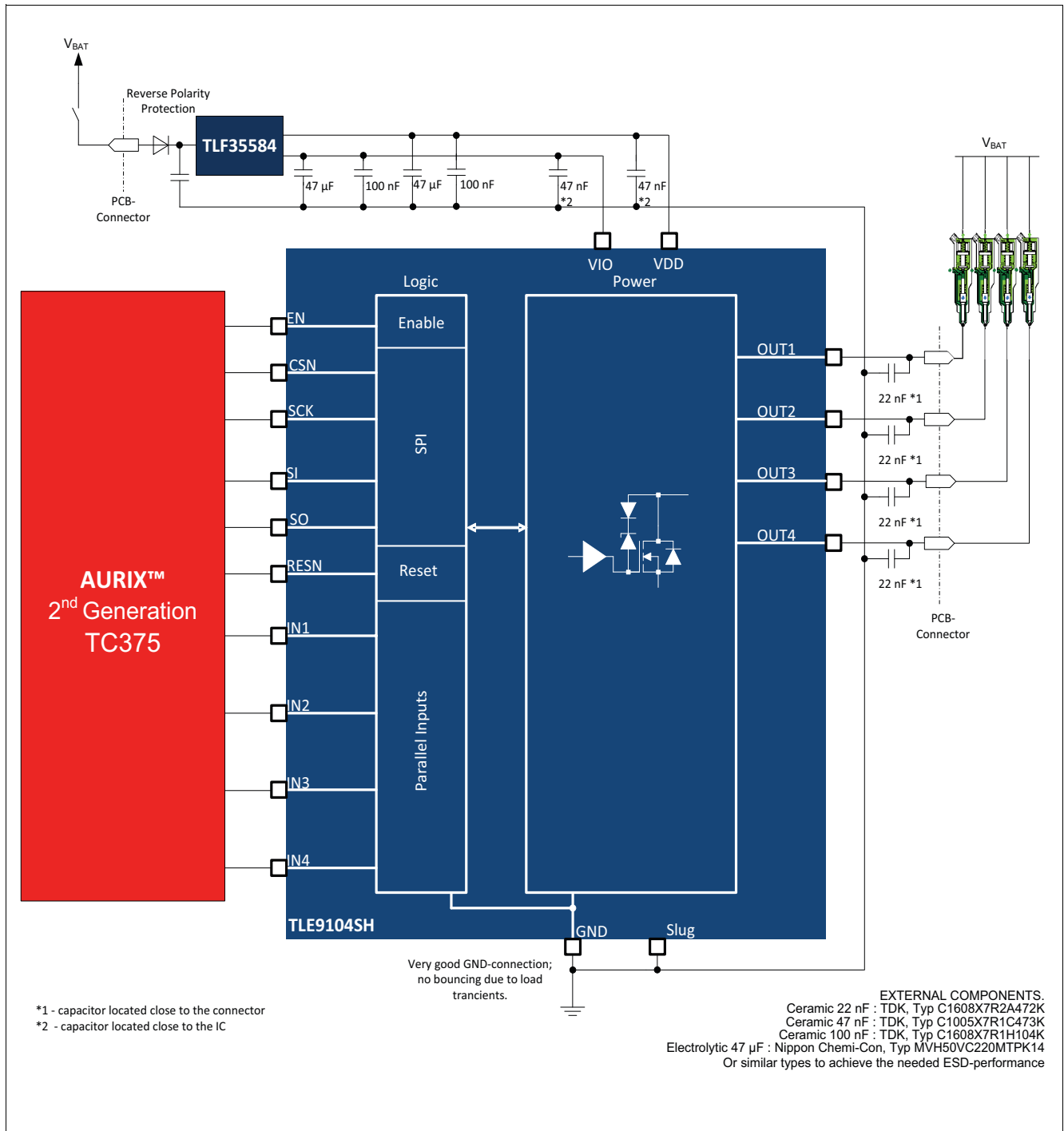


Figure 8-1 Multi port injection application diagram

Revision history

9 Revision history

Table 9-1 Revision history

Version	Date	Changes
Rev. 1.31	2020-09-30	Update of Output current per channel max. rating to 5.6 A (P_4.1.5)
Rev. 1.3	2020-06-05	Max. value of Short circuit to battery detection current modified
Rev. 1.2	2018-10-26	Changed H level output voltage of SO Pin symbol and minimum value changed
Rev. 1.1	2018-02-15	OC filter times updates in SPI table
Rev. 1.0	2018-02-01	First datasheet release

Trademarks

All referenced product or service names and trademarks are the property of their respective owners.

Edition 2020-09-30

Published by

Infineon Technologies AG

81726 Munich, Germany

© 2020 Infineon Technologies AG.

All Rights Reserved.

Do you have a question about any aspect of this document?

Email: erratum@infineon.com

Document reference

Z8F56123922

IMPORTANT NOTICE

The information given in this document shall in no event be regarded as a guarantee of conditions or characteristics ("Beschaffenhheitsgarantie").

With respect to any examples, hints or any typical values stated herein and/or any information regarding the application of the product, Infineon Technologies hereby disclaims any and all warranties and liabilities of any kind, including without limitation warranties of non-infringement of intellectual property rights of any third party.

In addition, any information given in this document is subject to customer's compliance with its obligations stated in this document and any applicable legal requirements, norms and standards concerning customer's products and any use of the product of Infineon Technologies in customer's applications.

The data contained in this document is exclusively intended for technically trained staff. It is the responsibility of customer's technical departments to evaluate the suitability of the product for the intended application and the completeness of the product information given in this document with respect to such application.

For further information on technology, delivery terms and conditions and prices, please contact the nearest Infineon Technologies Office (www.infineon.com).

WARNINGS

Due to technical requirements products may contain dangerous substances. For information on the types in question please contact your nearest Infineon Technologies office.

Except as otherwise explicitly approved by Infineon Technologies in a written document signed by authorized representatives of Infineon Technologies, Infineon Technologies' products may not be used in any applications where a failure of the product or any consequences of the use thereof can reasonably be expected to result in personal injury.