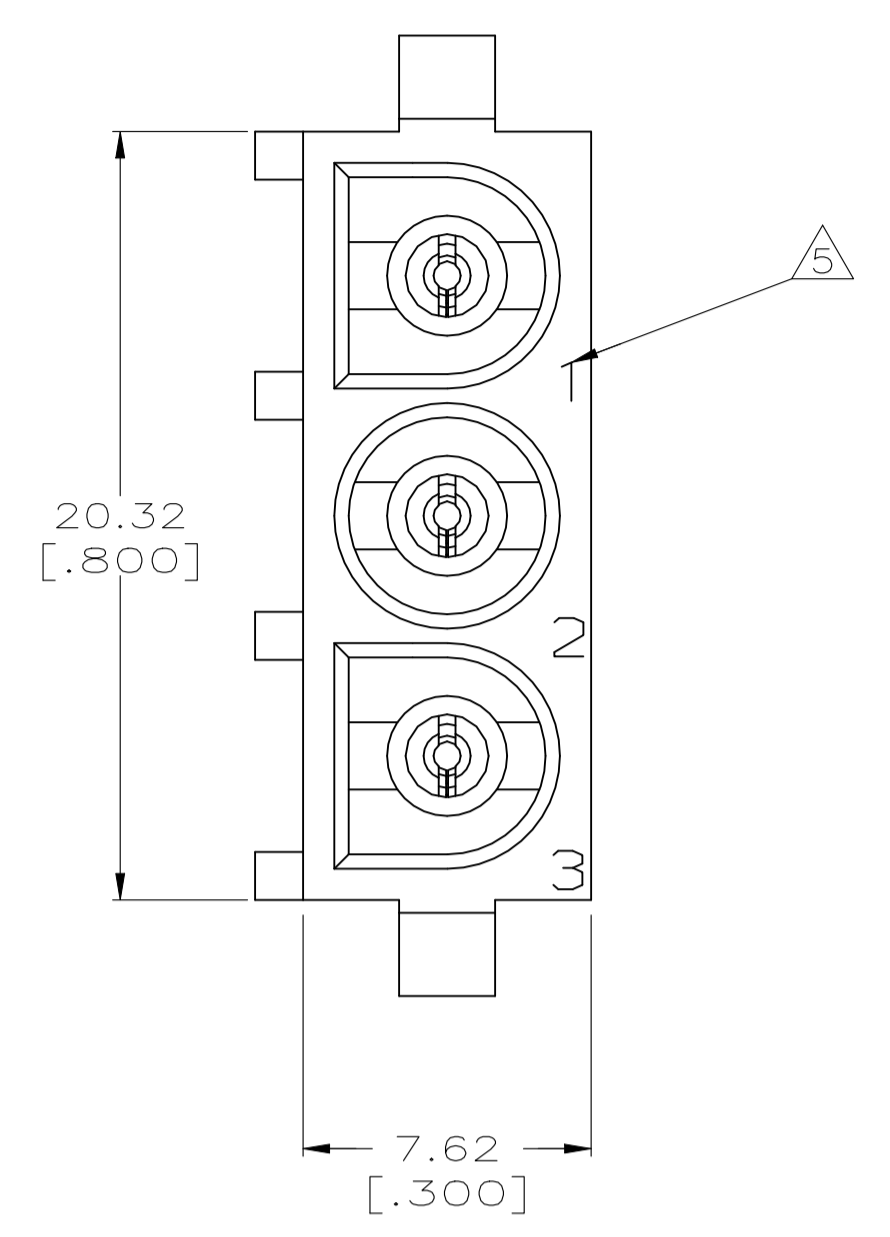
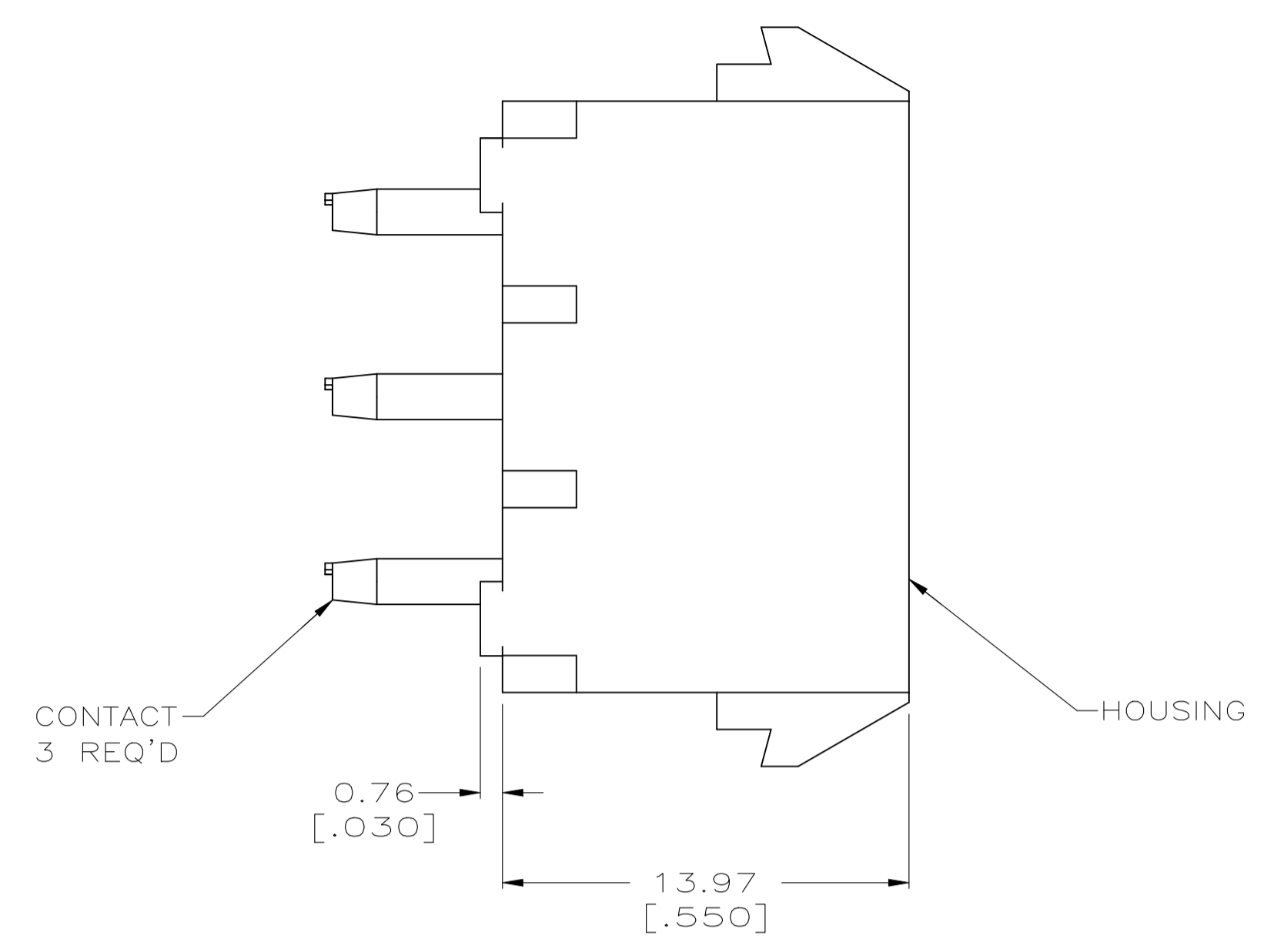
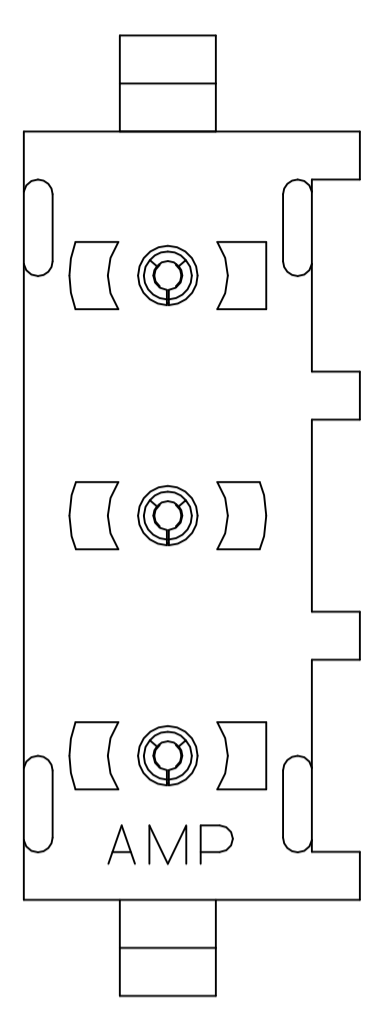
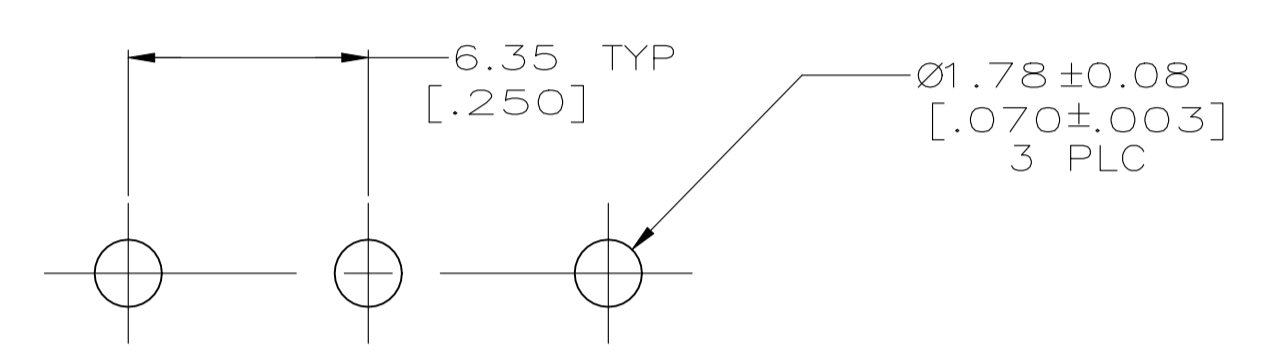


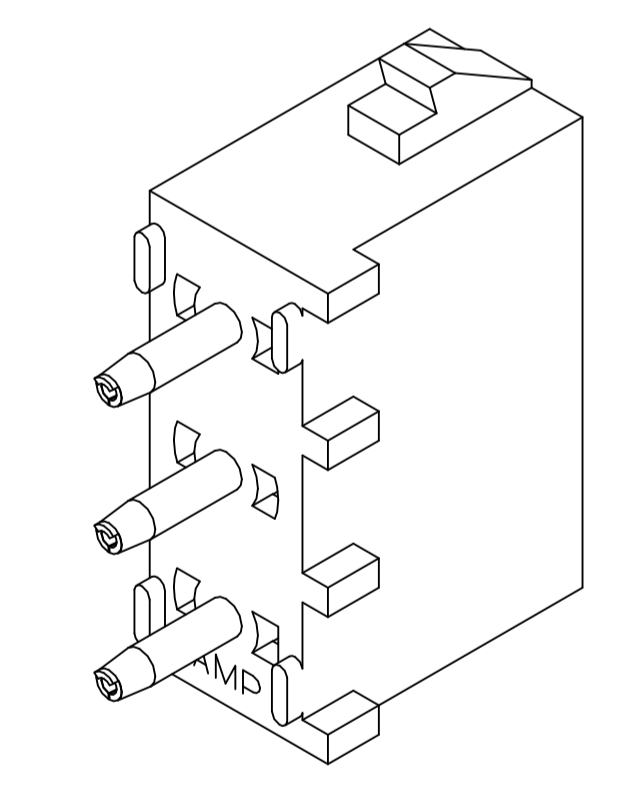
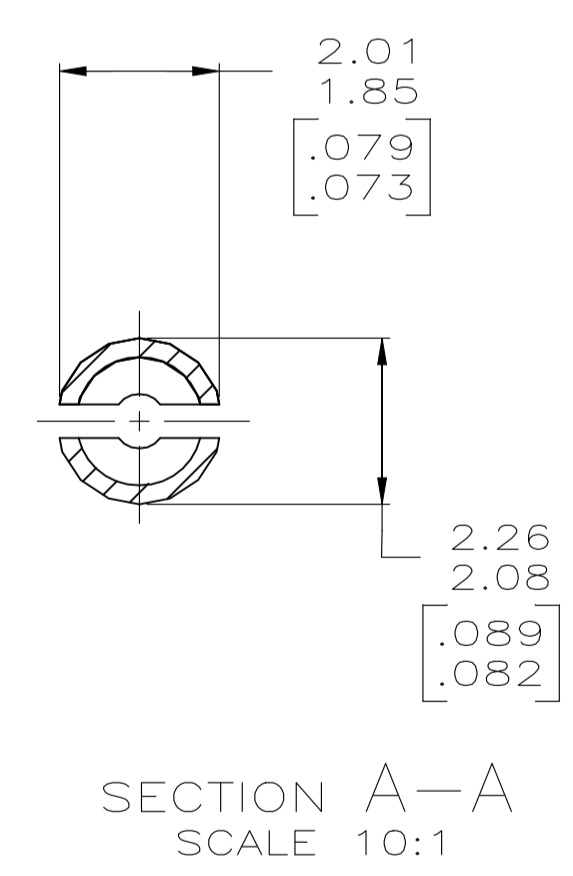
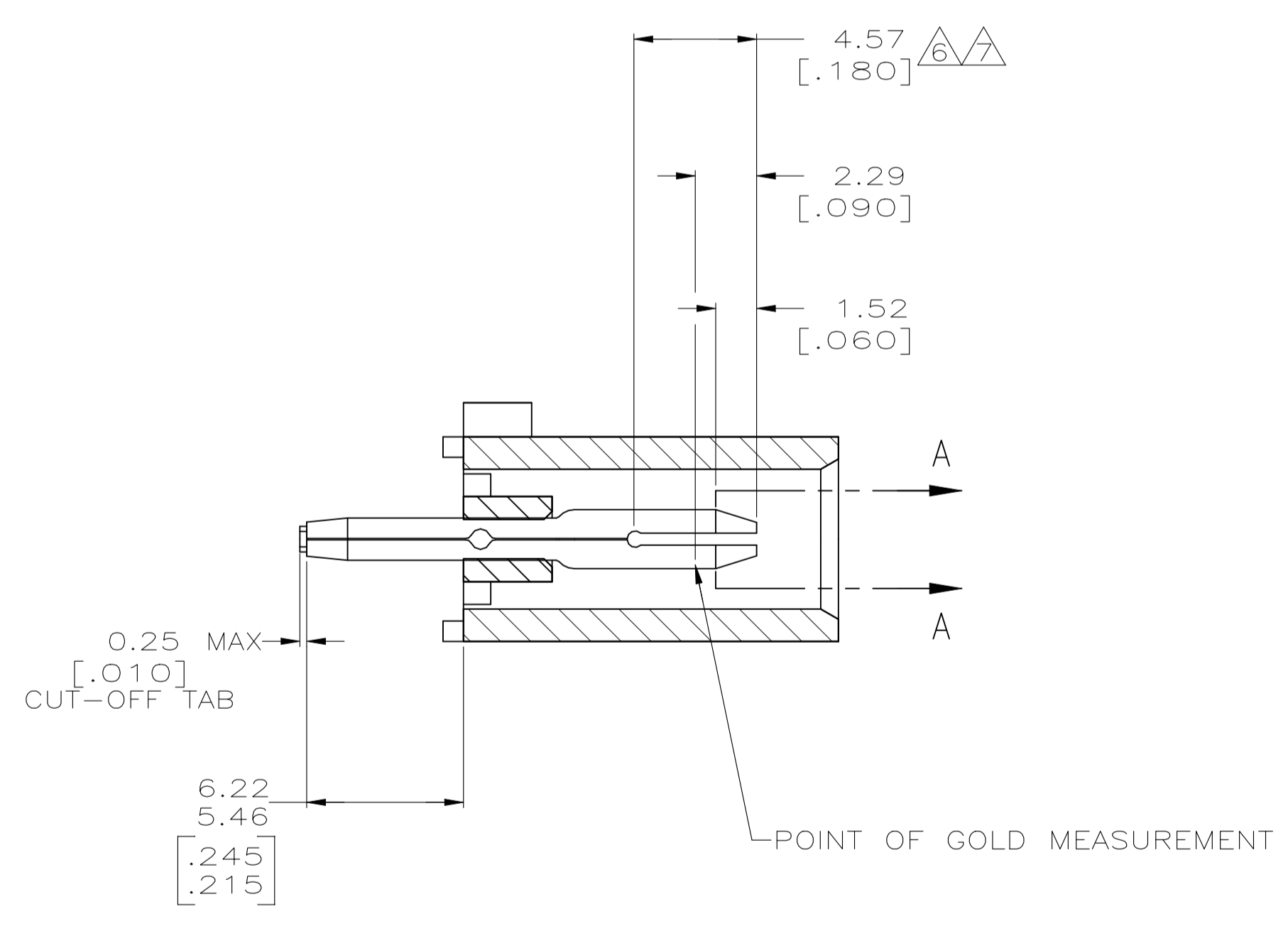
REVISIONS					
REV	DESCRIPTION	DATE	BY	APP'D	REV
U2	REVISED PER ECR-21-119230	02NOV2021	SS	VS	



- 1 PARTS COMPLY WITH AMP SOLDERABILITY SPECIFICATION 109-11-3.
- 4 DIMENSIONS IN BRACKETS ARE IN INCHES.
- 5 CIRCUIT IDENTIFICATION CHARACTERS ARE ADJACENT TO THE INDICATED CAVITIES, BUT LOCATION AND ORIENTATION MAY DIFFER FROM PRINT.
- 6 CONTACT IS PLATED OVERALL WITH .000050[0.00127] NICKEL, THEN .000030[0.00076] GOLD OVER CONTACT LENGTH INDICATED AND MATTE TIN LEAD ON SOLDER TAIL END.
- 7 CONTACT IS PLATED OVERALL WITH .000050[0.00127] NICKEL, THEN .000030[0.00076] GOLD OVER CONTACT LENGTH INDICATED AND MATTE TIN ON SOLDER TAIL END.
- 8 SUPERSEDED BY 350583-4
- 9 DIMENSIONS SHOWN REPRESENT PRODUCT IN DRY CONDITION. ADDITIONAL 2% GROWTH DUE TO END USE LOCATION MOISTURE ABSORPTION MAY OCCUR AND SHOULD BE ACCOUNTED FOR.



RECOMMENDED MOUNTING HOLE PATTERN FOR 3.18 [.125] THICK P.C. BOARD



3-DIMENSIONAL MODEL NTS

PHOSPHOR BRONZE, GOLD	NYLON,UL94V-2,NATURAL	350583-4
PHOSPHOR BRONZE, GOLD	NYLON,UL94V-2,NATURAL	350583-2
PHOSPHOR BRONZE, PRE-TIN	NYLON,UL94V-2,NATURAL	350583-1
PIN CONTACT MATERIAL AND FINISH	HOUSING MATERIAL	PART NUMBER

THIS DRAWING IS A CONTROLLED DOCUMENT.		DIN R VESTAL 2-19-97	TE Connectivity	
DIMENSIONS: mm [INCHES]		CHK R SWING 2-19-97	NAME	
TOLERANCES UNLESS OTHERWISE SPECIFIED:		APVD	PRODUCT SPEC	
0 PLC ± -	1 PLC ± -	APPLICATION SPEC		
2 PLC ± 0.13 [.005]	3 PLC ± -	SIZE CAGE CODE DRAWING NO		
4 PLC ± -	ANGLES ± -	RESTRICTED TO		
MATERIAL SEE TABLE	FINISH SEE TABLE	WEIGHT 0.000000	A1 00779 C=350583	
CUSTOMER DRAWING		SCALE 5:1	SHEET 1 of 1	REV U2