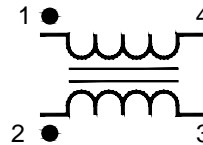
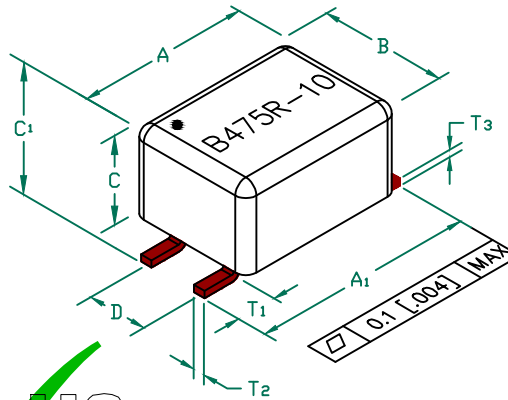


CC2824B475R-10

ELECTRICAL SPECIFICATION @ 25°C
OPERATING TEMPERATURE RANGE: -40°C TO +100°C

PARAMETER SYMBOL	TEST LEADS	CONDITIONS	REQUIREMENTS		
			MIN	TYP	MAX
Lp (μH)	1-4/2-3	@ 10KHz/ 10mV	3290	4700	7050
L LEAKAGE (μH)	1-4 (s' 2-3)	@ 10KHz/ 10mV		0.30	
TRP			1 : 1 +/- 5%		
DCR(Ω)	1-4/2-3			0.55	1.30
Hi-pot	wdg-wdg	(Vac) .5mA, 2sec.	750		
RATED CURRENT (mA)					400
RATED VOLTAGE (Vdc)					80



PHYSICAL DIMENSIONS:

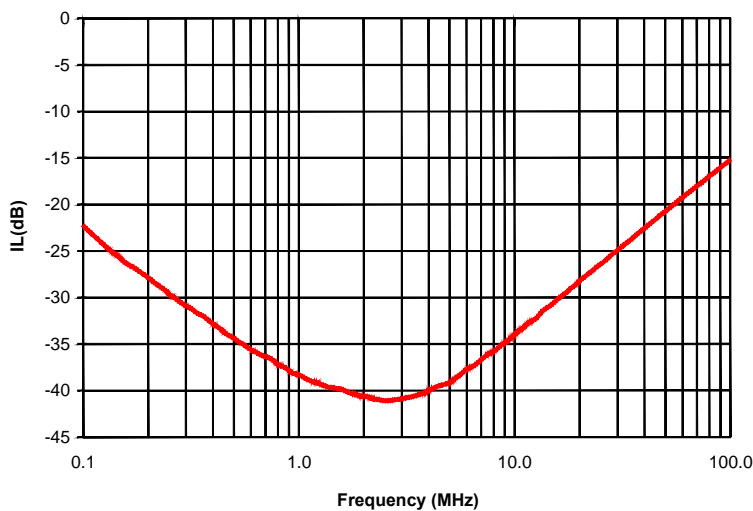
A	7.50 [.295]	+	MAX.
A ₁	9.00 [.354]	+	0.40 [.016]
B	5.50 [.217]	+	MAX.
C	3.80 [.150]	+	MAX.
C ₁	4.90 [.193]	+	MAX.
D	2.54 [.100]	+	0.10 [.004]
T ₁	1.75 [.069]	+	TYP.
T ₂	0.50 [.020]	+	0.10 [.004]
T ₃	0.30 [.012]	+	0.10 [.004]

WEIGHT/1000 0.28 kgs [.62 Lbs]

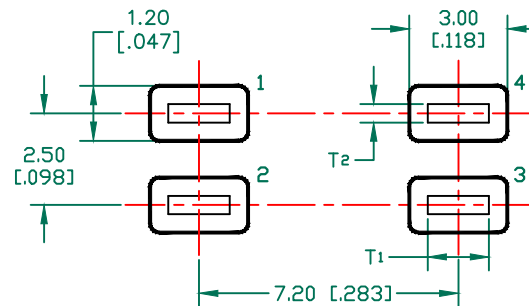
NOTES: UNLESS OTHERWISE SPECIFIED

- TAPED AND REELED ON 13" REELS, 1500 PCS/REEL.
- OPEN BOTTOM CONSTRUCTION.

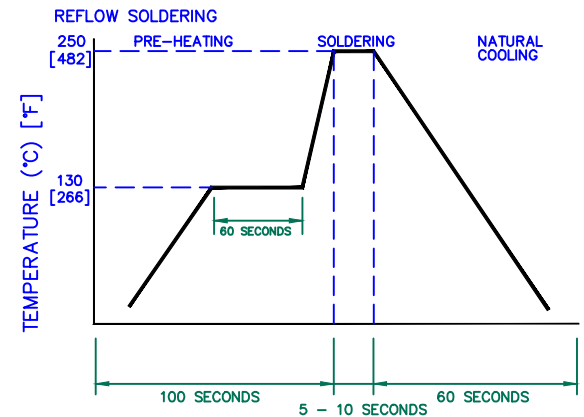
Typical Insertion Loss @ 50 ohm



LAND PATTERNS FOR REFLOW SOLDERING



RECOMMENDED SOLDERING CONDITIONS



DIMENSIONS ARE IN mm [INCHES].				This print is the property of Laird Tech. and is loaned in confidence subject to return upon request and with the understanding that no copies shall be made without the written consent of Laird Tech. All rights to design or invention are reserved.			
G	DELETE DATE CODE MARKING	07/06/16	QIU	PROJECT/PART NUMBER: CC2824B475R-10			
F	ADD RATING VOLTAGE	07/25/13	QIU				
E	OPERATING TEMPERATURE FROM 0°C ~ +100°C	12/17/12	QIU	REV	G	PART TYPE: PURCHASE SPEC.	DRAWN BY: JRK
D	CHANGE THE INDUCTANCE TEST VOLTAGE AND OPERATING TEMPERATURE	03/11/10	JUN	SCALE:	NTS	SHEET:	
C	UPDATE COMPANY LOGO	04/07/09	JRK	DATE:	06/07/05	TOOL #	
B	UPDATE COMPANY LOGO	05/08/07	JRK	CAD #	CC2824B475R-10-G	1 of 1	
A	ORIGINAL DRAFT	06/07/05	JRK				
REV	DESCRIPTION	DATE	INT				

