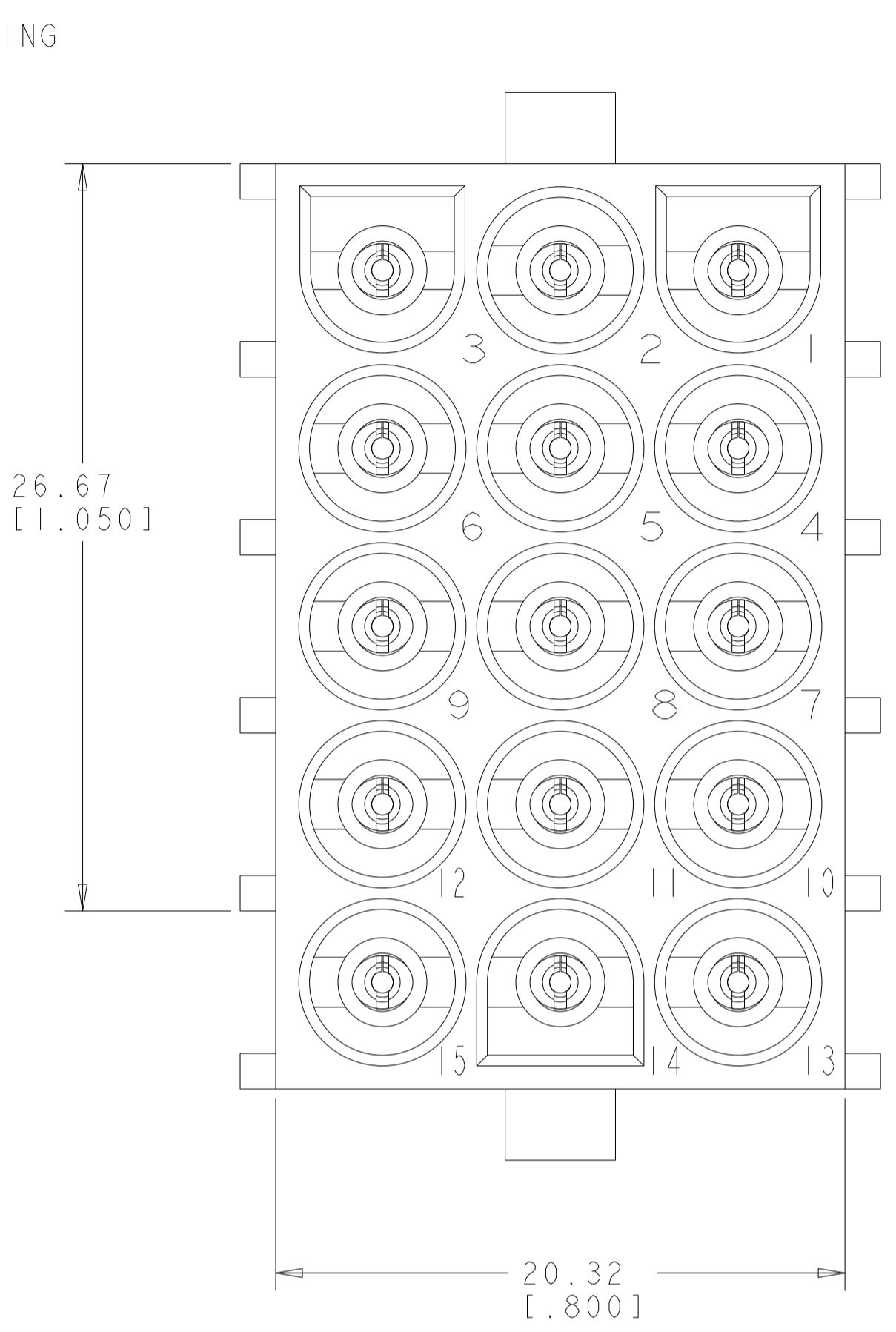
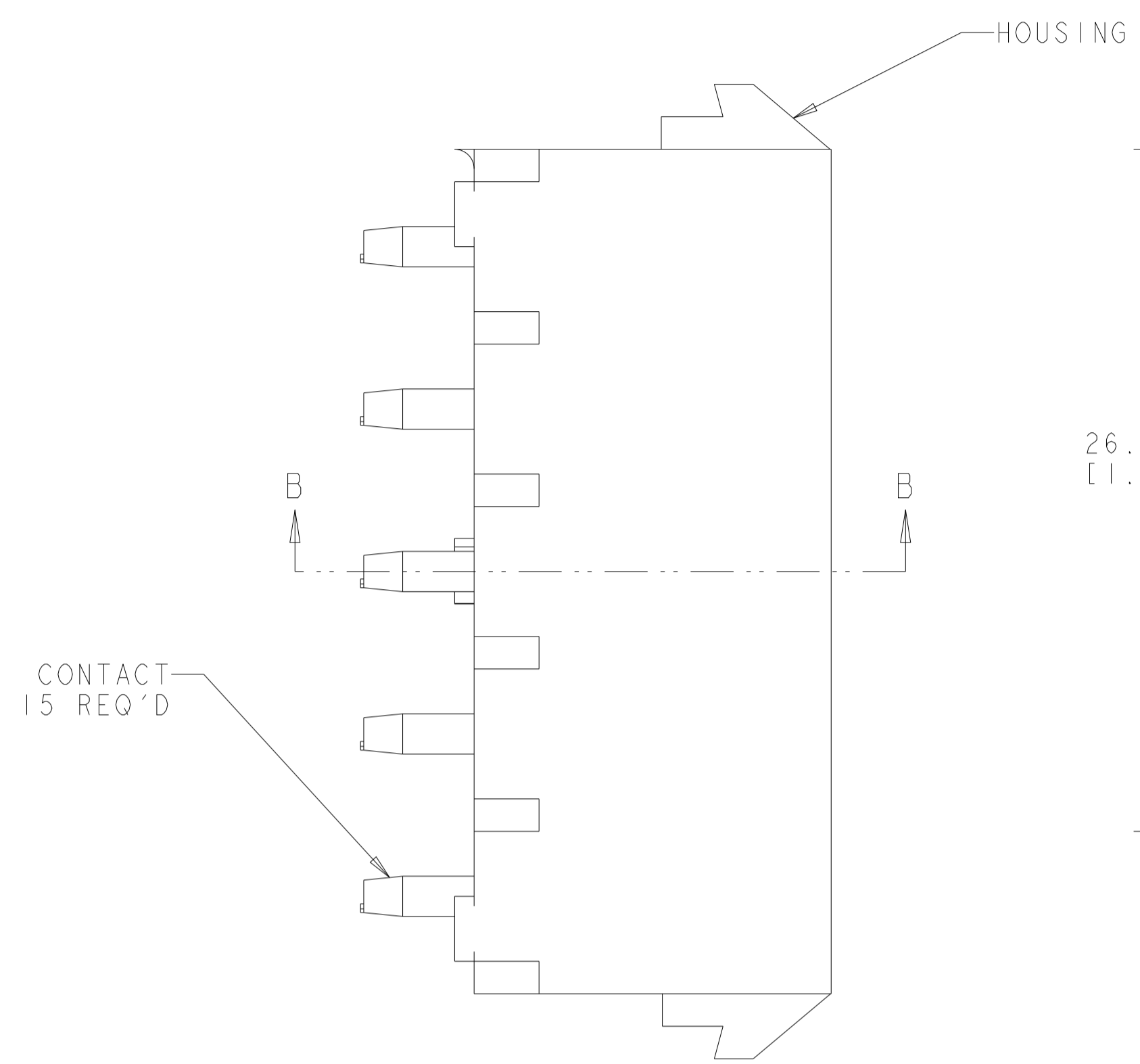
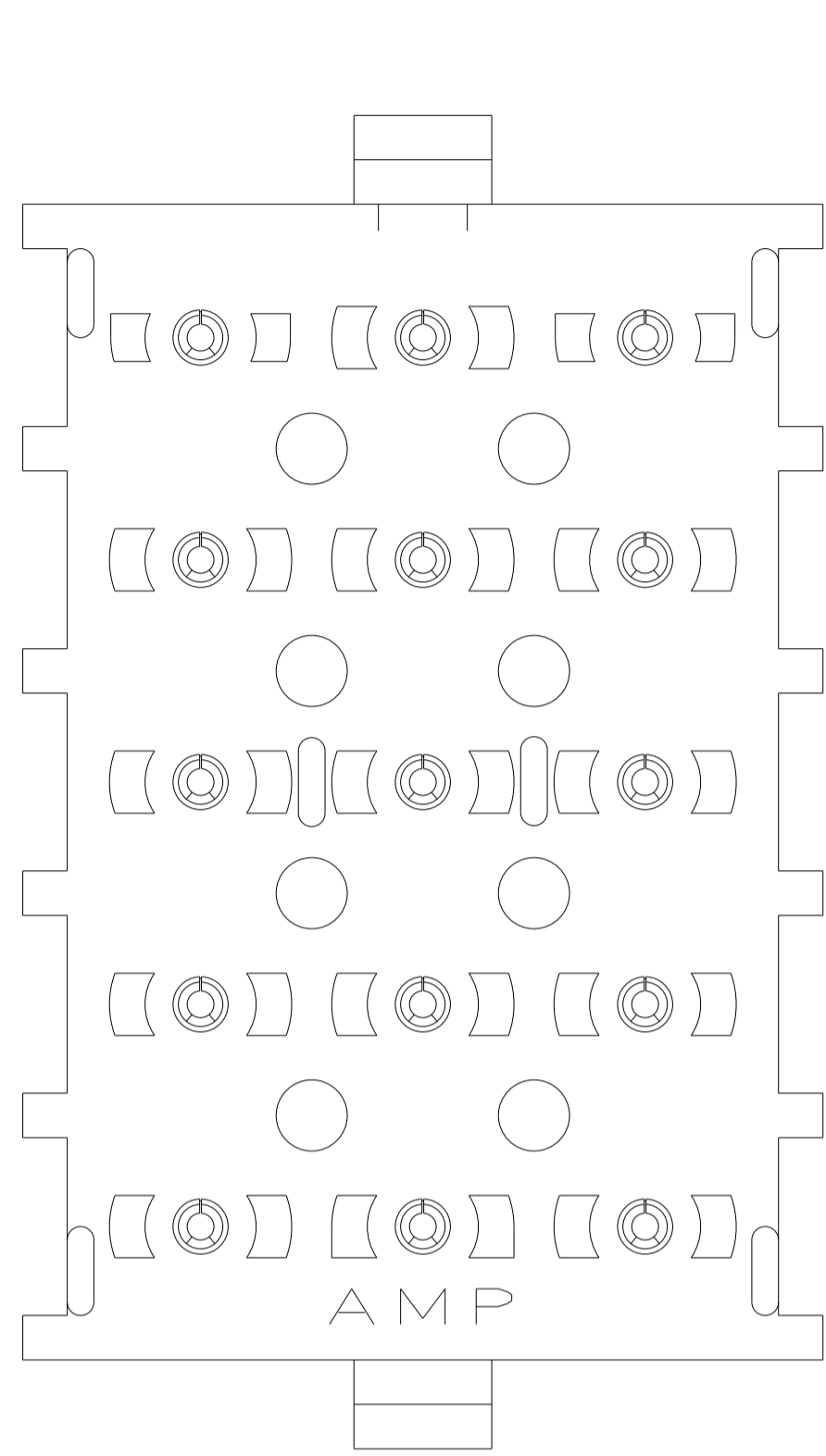
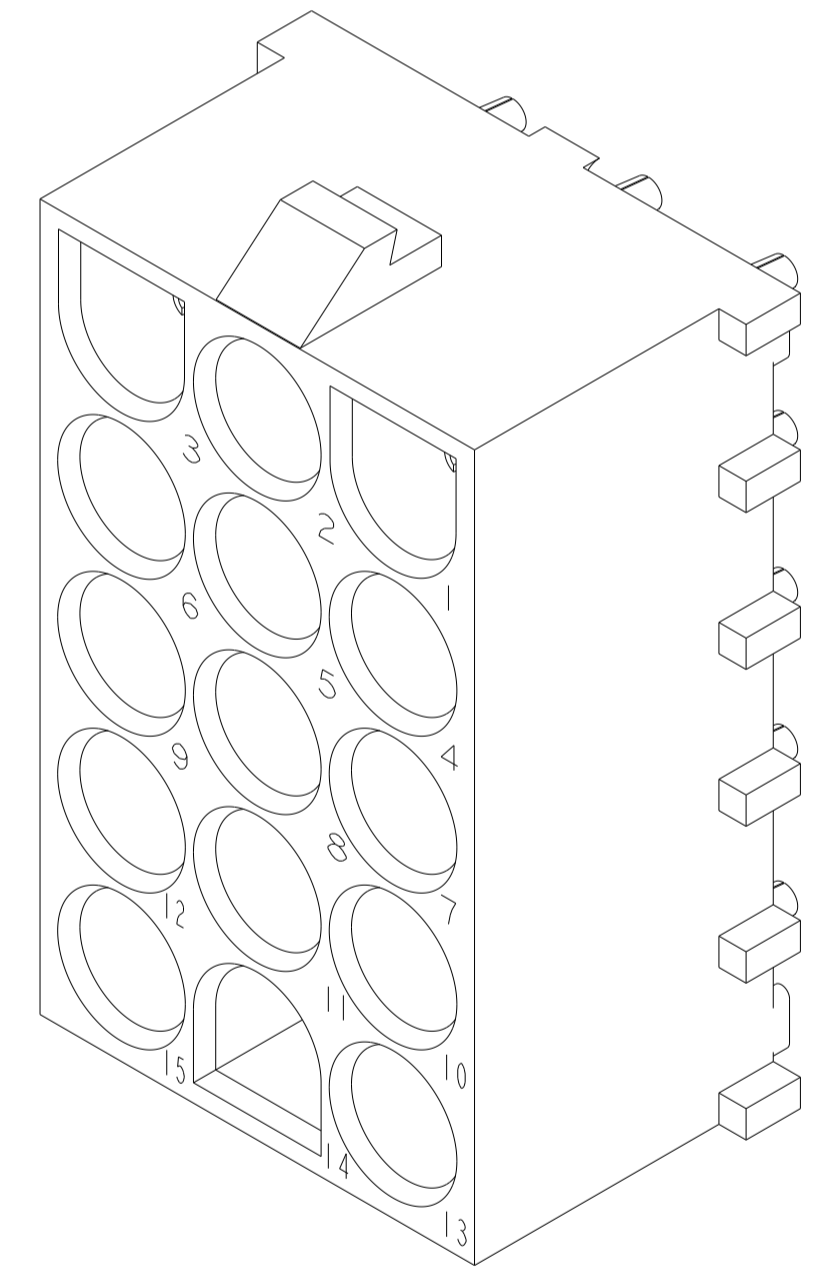


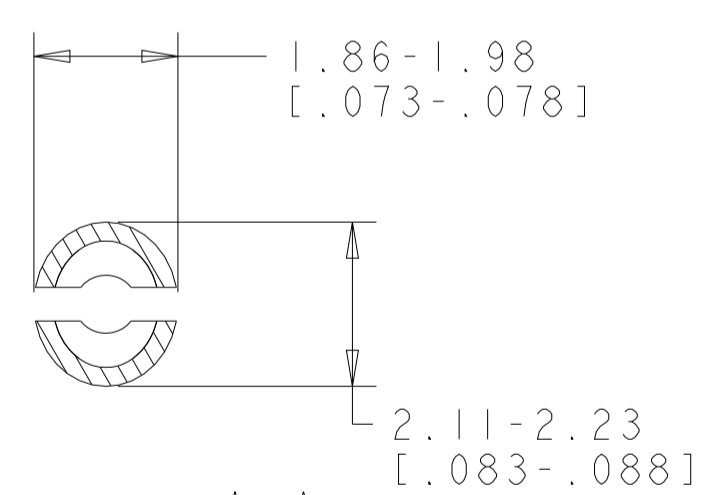
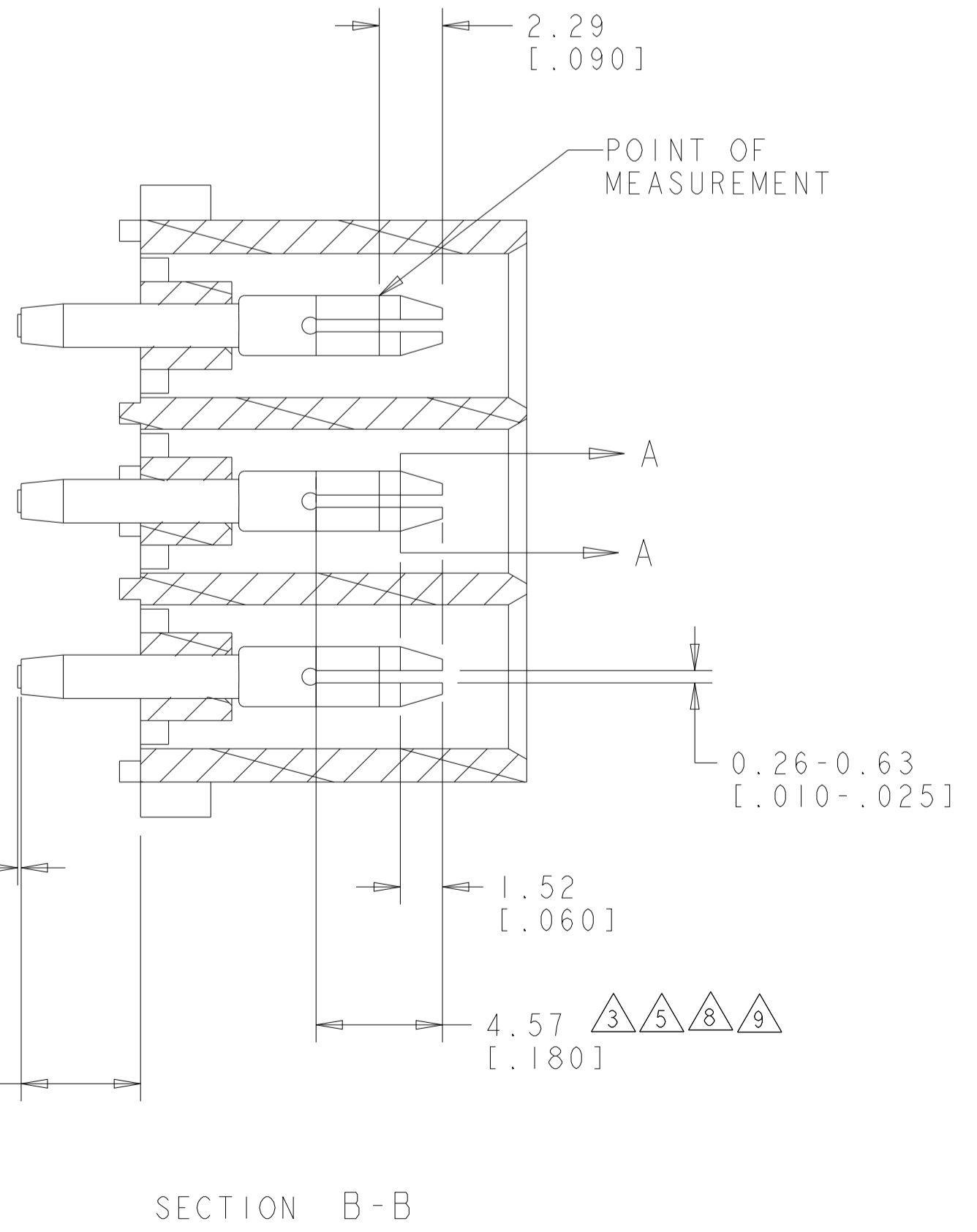
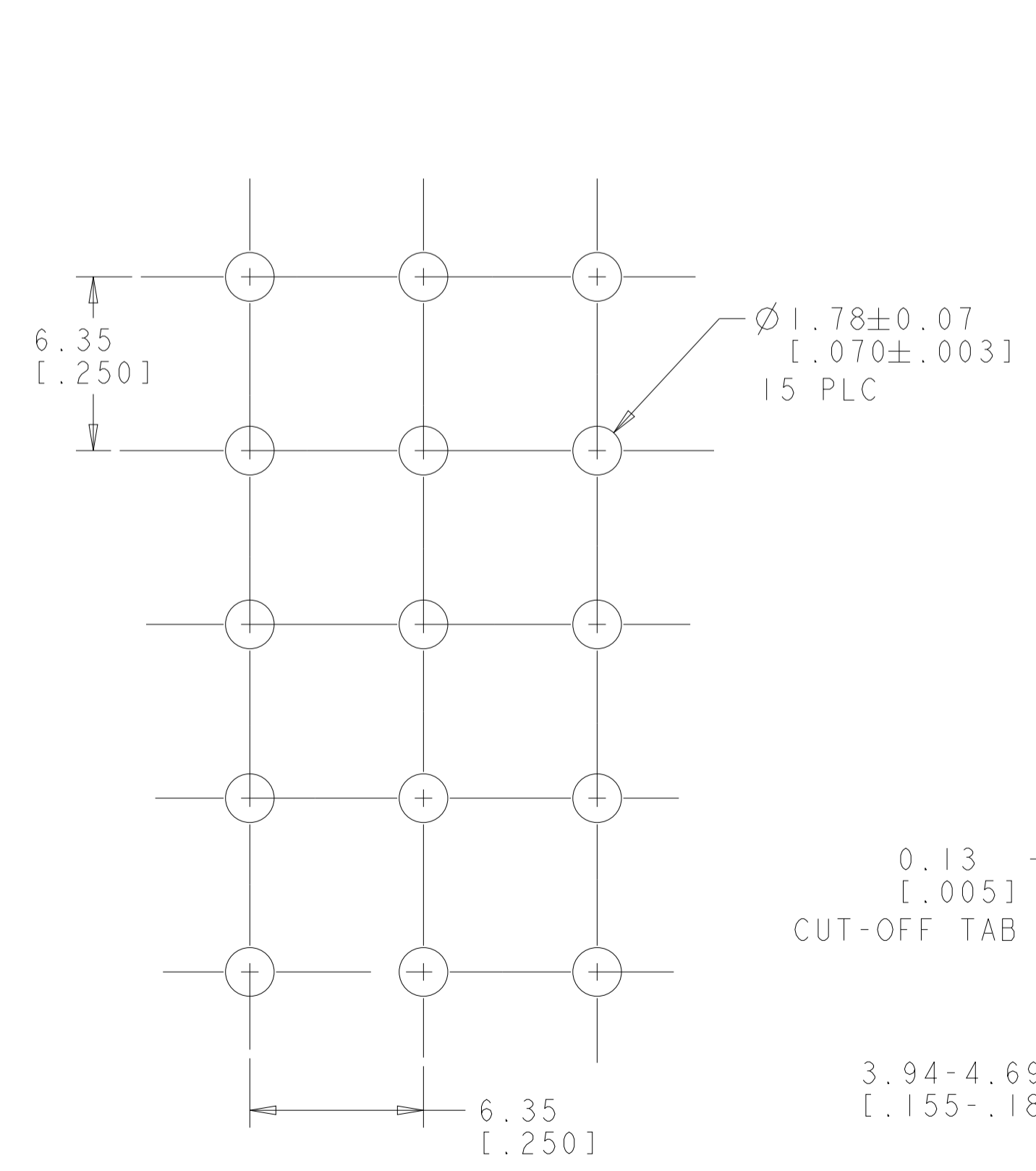
LOC		DIST		REVISIONS			
P	LTN	DESCRIPTION	DATE	DWN	APVD		
P4		REVISED PER ECR-12-011660	24JAN2013	KH	TM		
P5		REVISED PER ECR-21-118795	28JUL2022	SK	VS		



1. MATES WITH HOUSING 350736.
2. NOTE DELETED.
3. PARTS COMPLY TO AMP SOLDERABILITY SPECIFICATION 109-11-3.
4. CONTACT IS PLATED OVERALL WITH 0.00127 [.000050] NICKEL, THEN 0.00076 [.000030] GOLD OVER CONTACT LENGTH INDICATED AND TIN LEAD ON SOLDER TAIL END.
5. CONTACT IS PLATED OVERALL WITH 0.00127 [.000050] NICKEL, THEN 0.00038 [.000015] GOLD OVER CONTACT LENGTH INDICATED AND TIN LEAD ON SOLDER TAIL END.
6. PACKAGED PER SPEC 107-1202.
7. CIRCUIT IDENTIFICATION CHARACTERS ARE ADJACENT TO THE INDICATED CAVITIES, BUT LOCATION AND ORIENTATION MAY DIFFER FROM PRINT.
8. CONTACT IS PLATED OVERALL WITH 0.00127 [.000050] NICKEL, THEN 0.00076 [.000030] GOLD OVER CONTACT LENGTH INDICATED AND MATTE TIN ON SOLDER TAIL END.
9. CONTACT IS PLATED OVERALL WITH 0.00127 [.000050] NICKEL, THEN 0.00038 [.000015] GOLD OVER CONTACT LENGTH INDICATED AND MATTE TIN ON SOLDER TAIL END.
10. DIMENSIONS IN BRACKETS ARE IN INCHES.
11. OBSOLETE PARTS: OBSOLETE CIS STREAMLINING PER D.RENAUD/D.SINISI
12. SUPERSEDED BY 350714-4
13. DIMENSIONS WITH REPRESENT PRODUCT IN DRY CONDITION. ADDITIONAL 2% GROWTH DUE TO END USE LOCATION MOISTURE ABSORPTION MAY OCCUR AND SHOULD BE ACCOUNTED FOR.



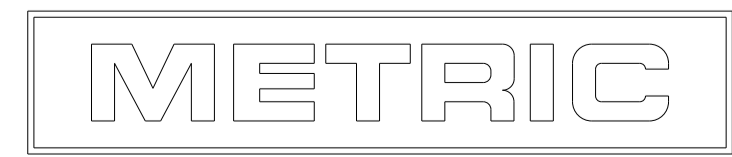
3 DIMENSIONAL MODEL SCALE 4:1



SECTION A-A SCALE 10:1

OBSOLETE	6	PHOSPOR BRONZE, PRE-TIN	NYLON, UL94V-0, NATURAL	1-350714-1
		PHOSPOR BRONZE, GOLD	NYLON, UL94V-0, NATURAL	350714-5
OBSOLETE		PHOSPOR BRONZE, GOLD	NYLON, UL94V-0, NATURAL	350714-4
		PHOSPOR BRONZE, GOLD	NYLON, UL94V-0, NATURAL	350714-3
	2	PHOSPOR BRONZE, GOLD	NYLON, UL94V-0, NATURAL	350714-2
		PHOSPOR BRONZE, PRE-TIN	NYLON, UL94V-0, NATURAL	350714-1
PIN CONTACT MATERIAL AND FINISH			HOUSING MATERIAL AND COLOR	PART NUMBER

RECOMMENDED MOUNTING HOLE PATTERN FOR 1.57 [.062] THICK P.C. BOARD HOLE THAT CORRESPONDS TO REMOVED CONTACT CAN BE OMITTED



THIS DRAWING IS A CONTROLLED DOCUMENT.

DIMENSIONS: mm [INCHES]	TOLERANCES UNLESS OTHERWISE SPECIFIED:	DWN: K. WHITAKER 26JULY2005	CHK: S. RIDGILL 26JULY2005	APVD: S. RIDGILL 26JULY2005	NAME: PIN HEADER ASSEMBLY, 15 CIRCUIT, UNIVERSAL MATE-N-LOK(TM)
0 PLC ±	±	APVD: S. RIDGILL 26JULY2005	NAME: PIN HEADER ASSEMBLY, 15 CIRCUIT, UNIVERSAL MATE-N-LOK(TM)	SIZE: A1	CAGE CODE: 350714
1 PLC ±	±	PRODUCT SPEC	APPLICATION SPEC	WEIGHT: -	RESTRICTED TO: -
2 PLC ±	±	APPLIC. SPEC	APPLIC. SPEC	CUSTOMER DRAWING	SCALE: 5:1
3 PLC ±	±	FINISH	FINISH	SHEET: 1	OF: 1
4 PLC ±	±	FINISH	FINISH	REV: P5	
5 PLC ±	±	FINISH	FINISH		
ANGLES: 40°/30°					