

# C3216X7T2V683M130AA

TDK Item Description : C3216X7T2V683MT\*\*\*\*

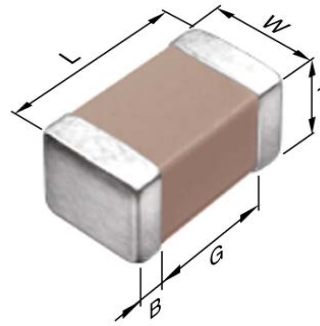


## Application & Main Feature

Commercial Grade ( Mid Voltage (100 to 630V) )

## Series

C3216 [EIA CC1206]



## Dimensions

L 3.20mm +/-0.2mm  
 W 1.60mm +/-0.2mm  
 T 1.30mm +/-0.2mm  
 B 0.20mm Min.  
 G 1.00mm Min.

## Temperature Characteristic

X7T (-55 to 125 degC +22,-33%)

## Rated Voltage

2V (350Vdc)

## Capacitance

68nF

## Capacitance Tolerance

M (+/-20%)

## Dissipation Factor

2.5% Max.

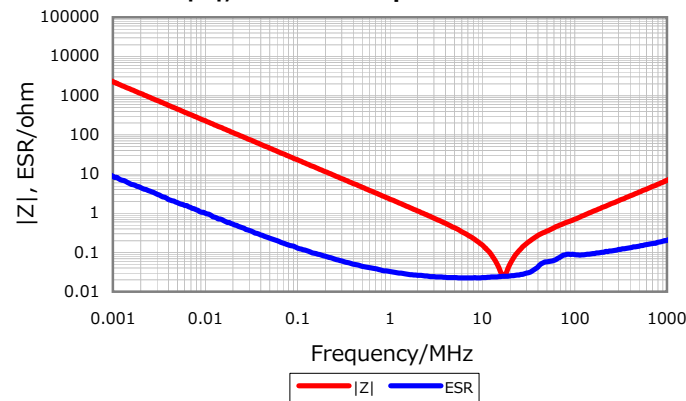
## Insulation Resistance

7.35Gohm Min.

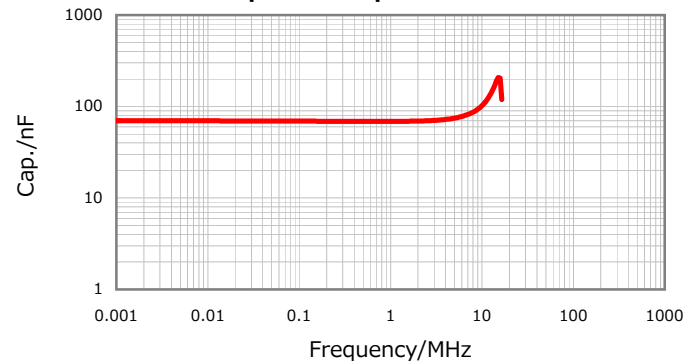
## AEC-Q200

Not Applicable

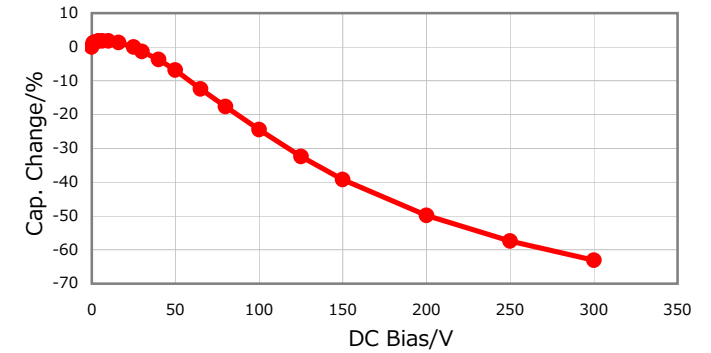
## |Z|, ESR vs. Freq. Characteristics



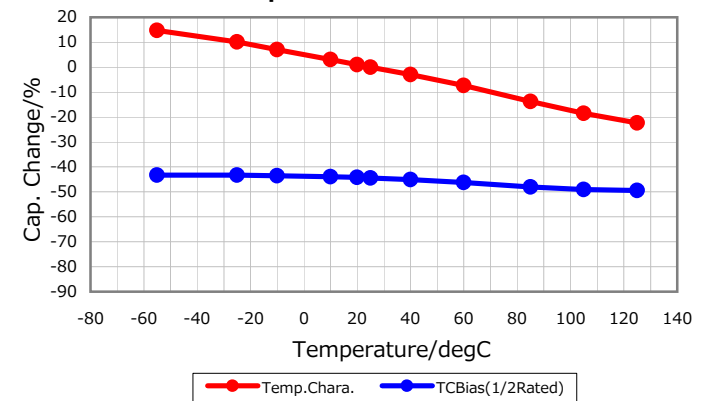
## Cap. vs. Freq. Characteristic



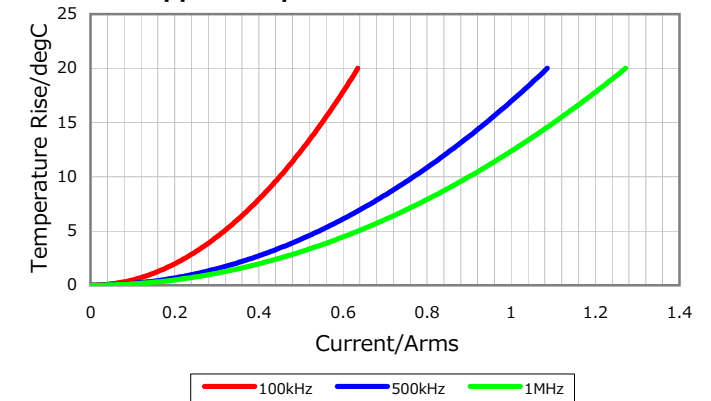
## DC Bias Characteristic



## Temperature Characteristics



## Ripple Temperature Rise Characteristics



Characterization Sheet ( Multilayer Ceramic Chip Capacitors )



All specifications are subject to change without notice.

January 4, 2016